

US00D943767S

(12) **United States Design Patent** (10) **Patent No.:** **US D943,767 S**
Langrell et al. (45) **Date of Patent:** **** Feb. 15, 2022**

(54) **LIVESTOCK HEAD GATE**

- (71) Applicant: **Northquip Inc.**, Woodlands (CA)
- (72) Inventors: **Stephen Arthur Langrell**, Woodlands (CA); **Philip Malcolm Firth**, Woodlands (CA)
- (73) Assignee: **Northquip Inc.**, Woodlands (CA)
- (**) Term: **15 Years**
- (21) Appl. No.: **29/711,899**
- (22) Filed: **Nov. 4, 2019**
- (51) **LOC (13) Cl.** **30-99**
- (52) **U.S. Cl.**
USPC **D25/48.5; D30/114**
- (58) **Field of Classification Search**
USPC D25/48.5; D30/114, 116, 119, 144, 151
CPC A01K 1/0017; A01K 1/06; A01K 1/0606;
A01K 1/0612; A01K 1/062; A01K 1/08
See application file for complete search history.

(56) **References Cited**

U.S. PATENT DOCUMENTS

3,371,653	A *	3/1968	Anderson	A01K 1/0613 119/734
3,513,812	A *	5/1970	Iverson	A01K 1/0613 119/730
D326,340	S *	5/1992	DaSilveira	D30/119
5,645,015	A *	7/1997	DaSilveira	A01K 1/0606 119/741
5,908,009	A *	6/1999	Cummings	A01K 1/0613 119/734
D688,834	S *	8/2013	Gillespie	D30/114
9,936,673	B2 *	4/2018	Langrell	A01K 1/0613
10,039,262	B2 *	8/2018	Firth	A01K 1/062
2018/0055004	A1 *	3/2018	Firth	A01K 1/062
2018/0055005	A1 *	3/2018	Langrell	E05C 19/008
2019/0159425	A1 *	5/2019	Comte	A01K 1/062
2020/0375150	A1 *	12/2020	Hicks	A01K 15/04

FOREIGN PATENT DOCUMENTS

EM 007188180-0001 * 11/2019

OTHER PUBLICATIONS

Arrowquip launching 3 new affordable cattle chutes North America FarmQuip Magazine <https://www.americafem.com/2020/06/04/arrowquip-launching-3-new-affordable-cattle-chutes/> May 2020 (Year: 2020).*

* cited by examiner

Primary Examiner — Leanne Was-Englehart
(74) *Attorney, Agent, or Firm* — Michael R Williams; Kyle R Satterthwaite; Ade & Company Inc.

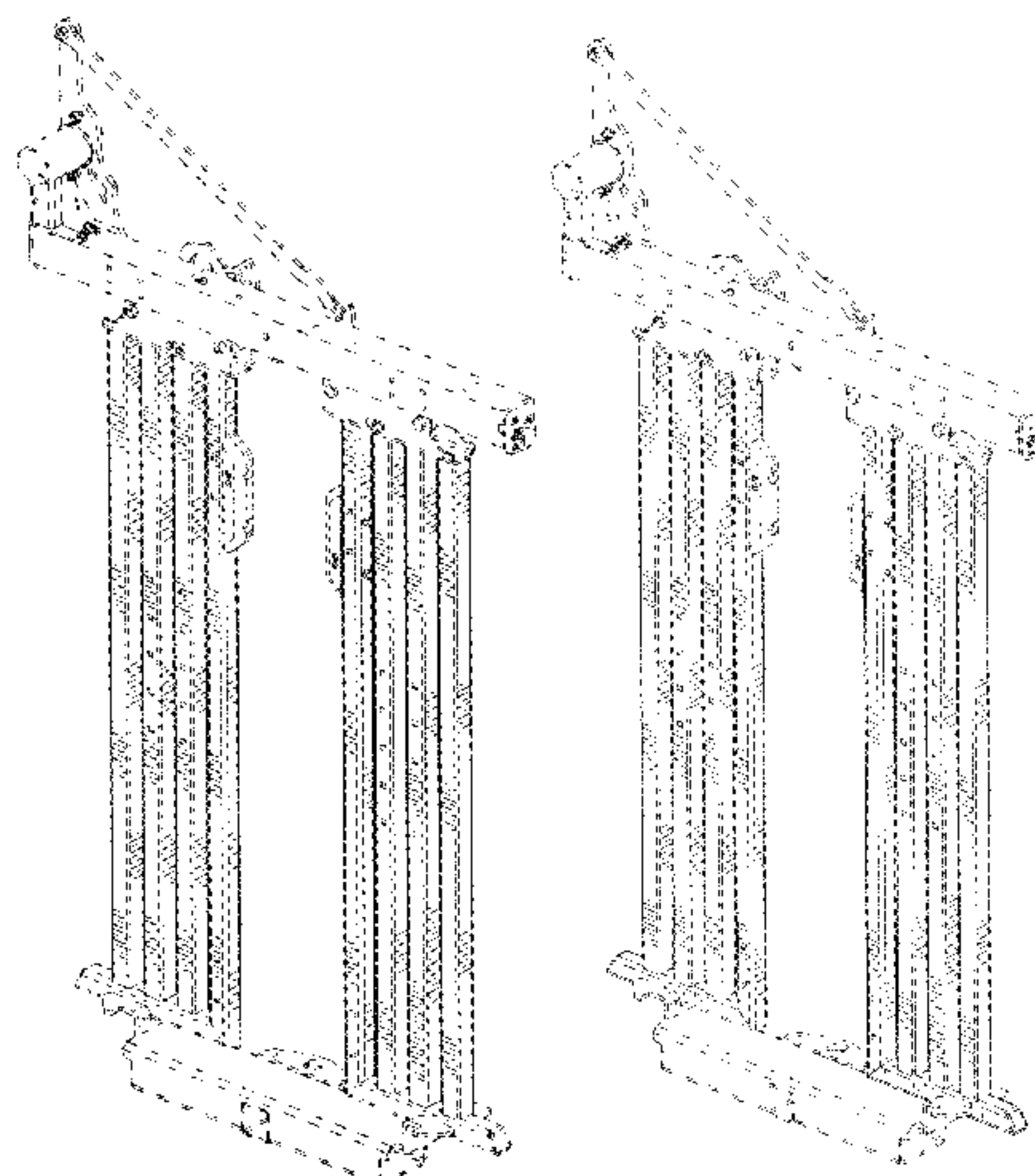
(57) **CLAIM**

The ornamental design for a livestock head gate, as shown and described.

DESCRIPTION

FIG. 1 is a rear perspective view of a livestock head gate according to a first embodiment of the design.
 FIG. 2 is a front perspective view thereof;
 FIG. 3 is a front elevational view thereof;
 FIG. 4 is a rear elevational view thereof;
 FIG. 5 is a left elevational view thereof;
 FIG. 6 is a right elevational view thereof;
 FIG. 7 is a top plan view thereof;
 FIG. 8 is a bottom plan view thereof;
 FIG. 9 is a rear perspective view of a livestock head gate according to a second embodiment of the design.
 FIG. 10 is a front perspective view thereof;
 FIG. 11 is a front elevational view thereof;
 FIG. 12 is a rear elevational view thereof;
 FIG. 13 is a left elevational view thereof;
 FIG. 14 is a right elevational view thereof;
 FIG. 15 is a top plan view thereof; and,
 FIG. 16 is a bottom plan view thereof.
 Broken lines illustrate portions of the article that form no part of the claimed design.

1 Claim, 12 Drawing Sheets



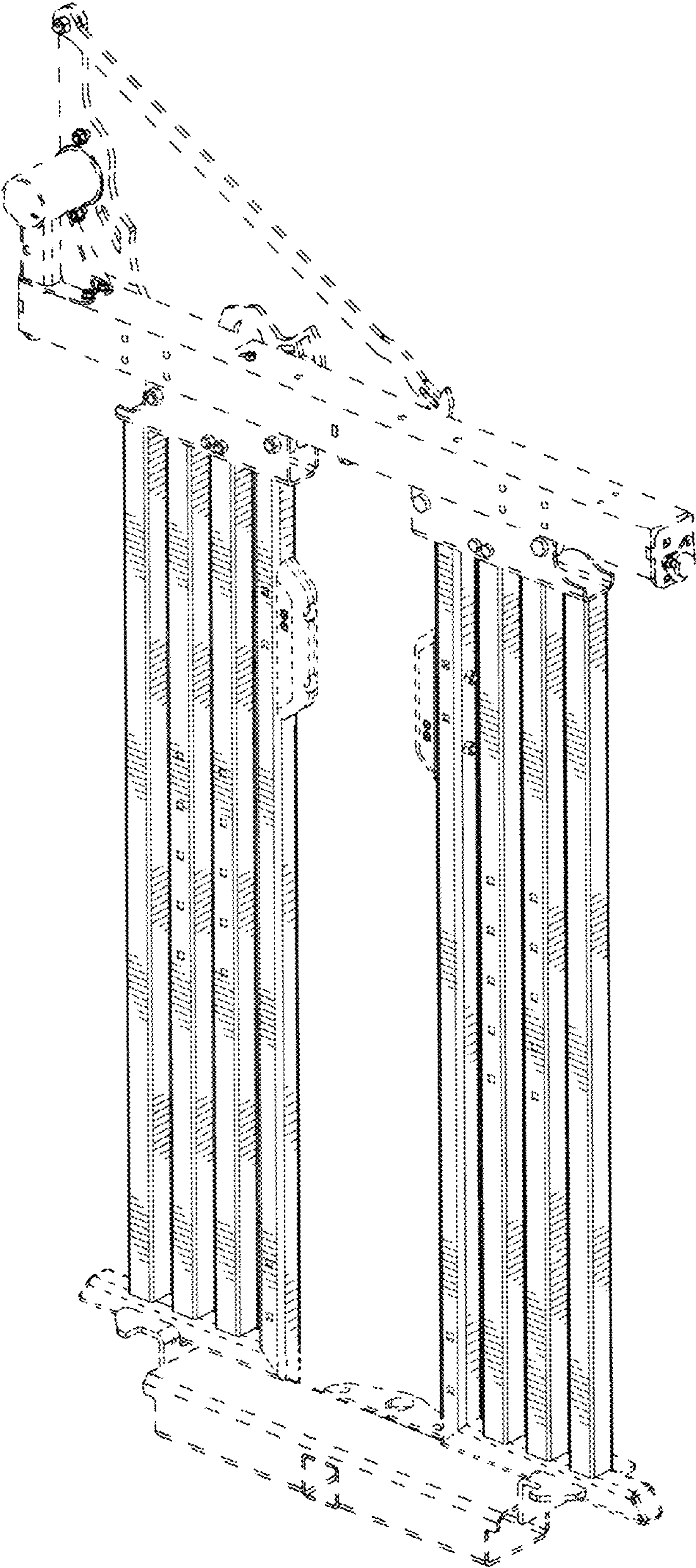


FIG. 1

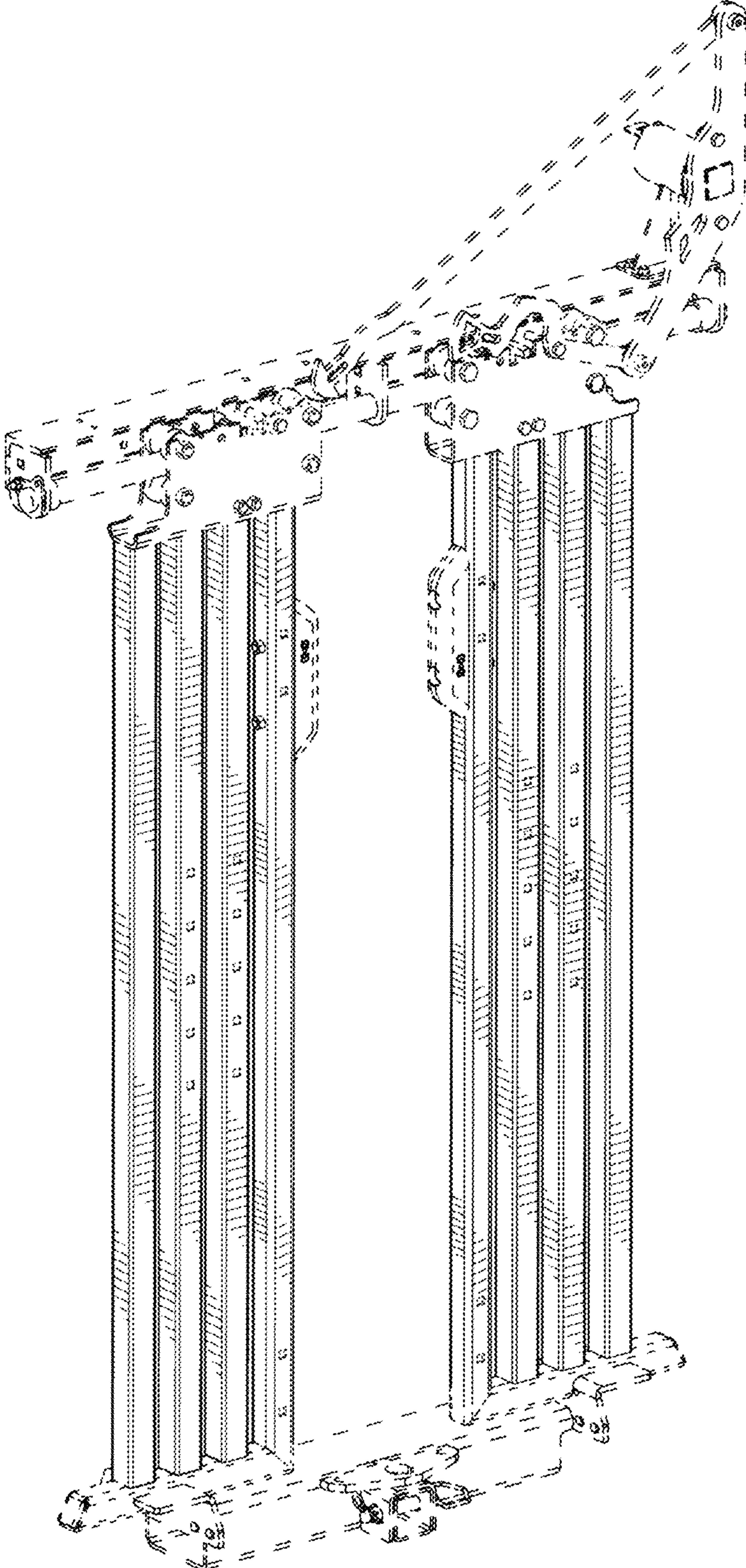


FIG. 2

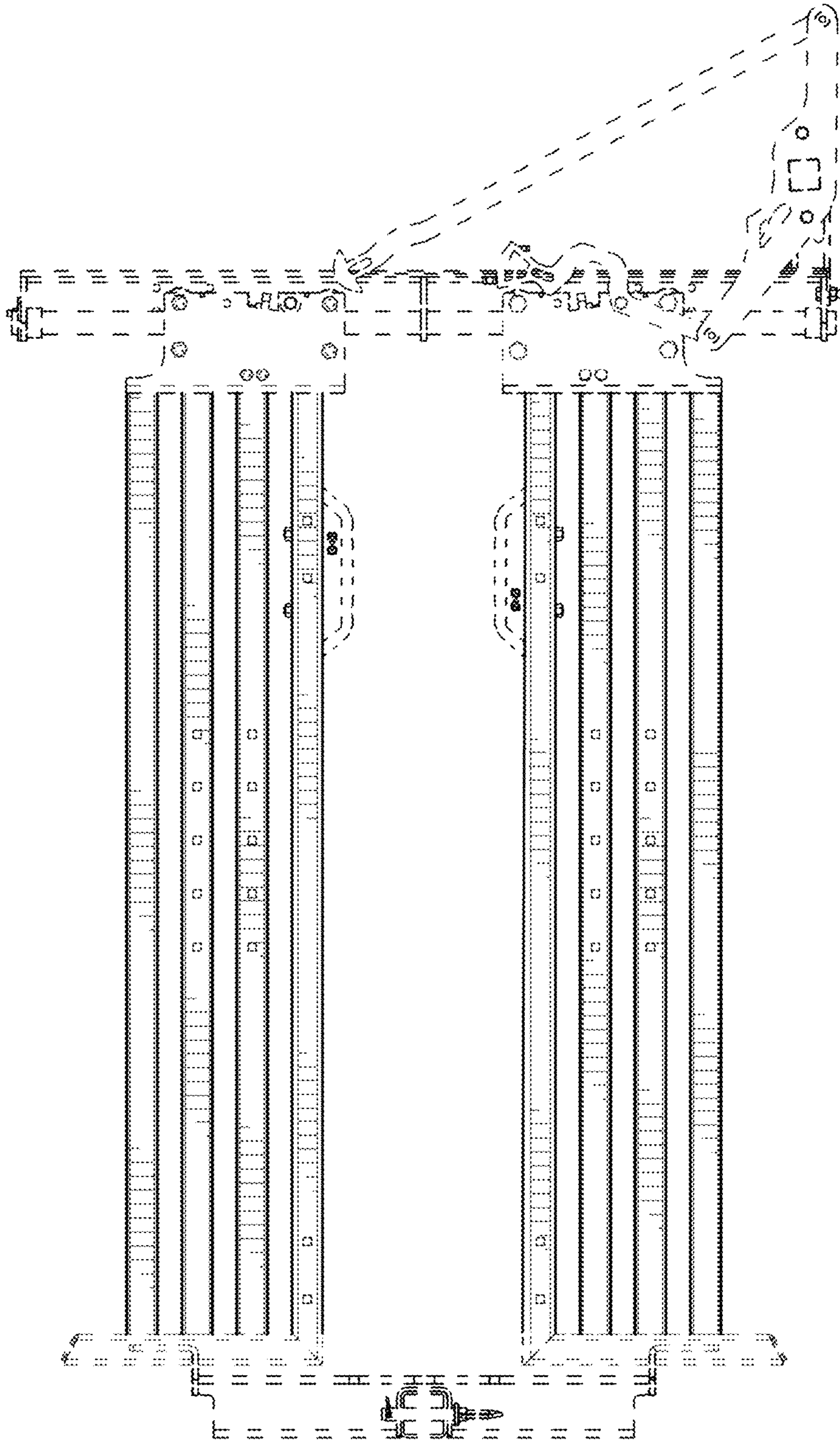


FIG. 3

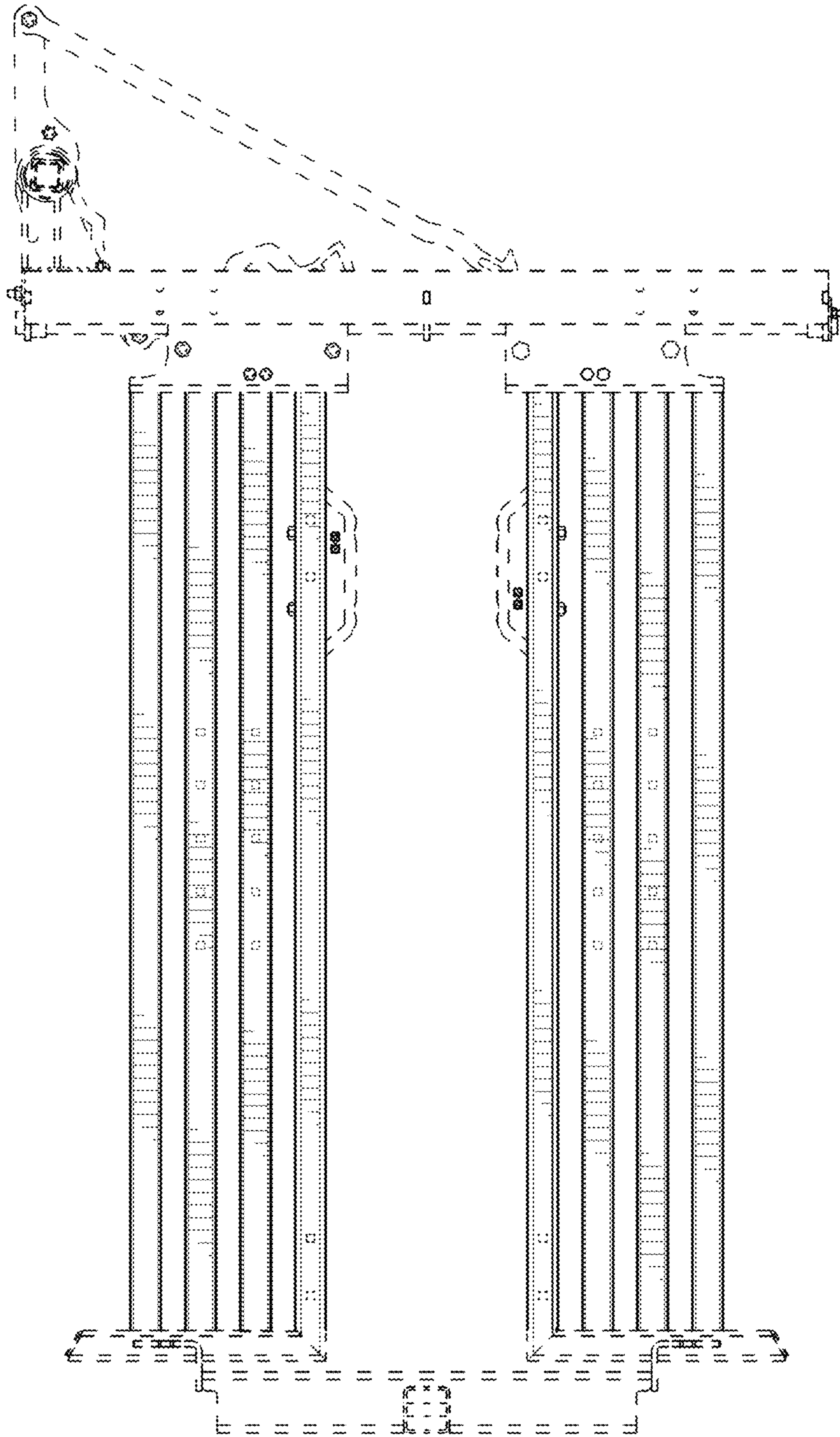


FIG. 4

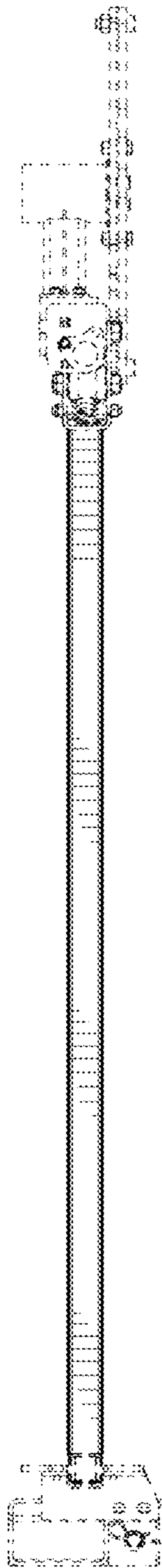


FIG. 5

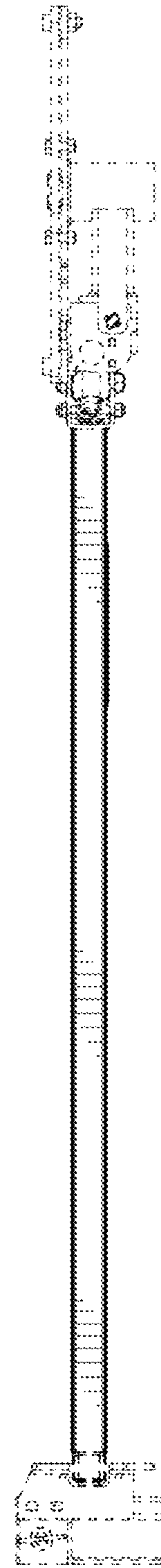


FIG. 6



FIG. 7

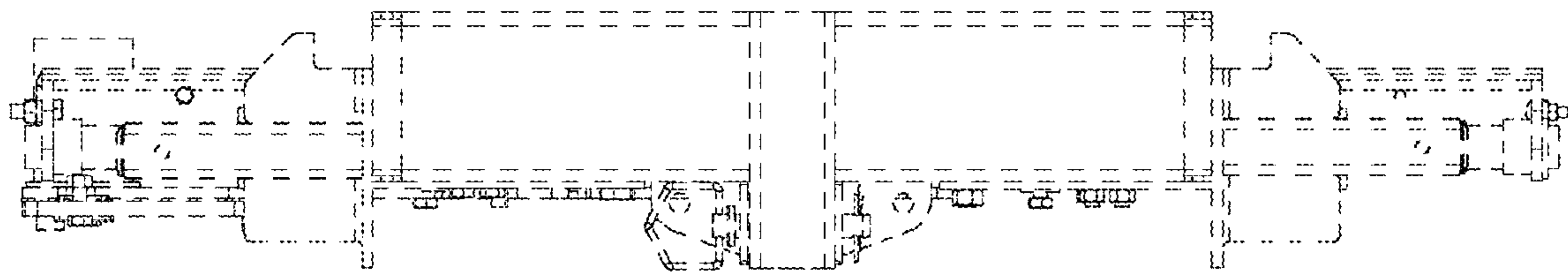


FIG. 8

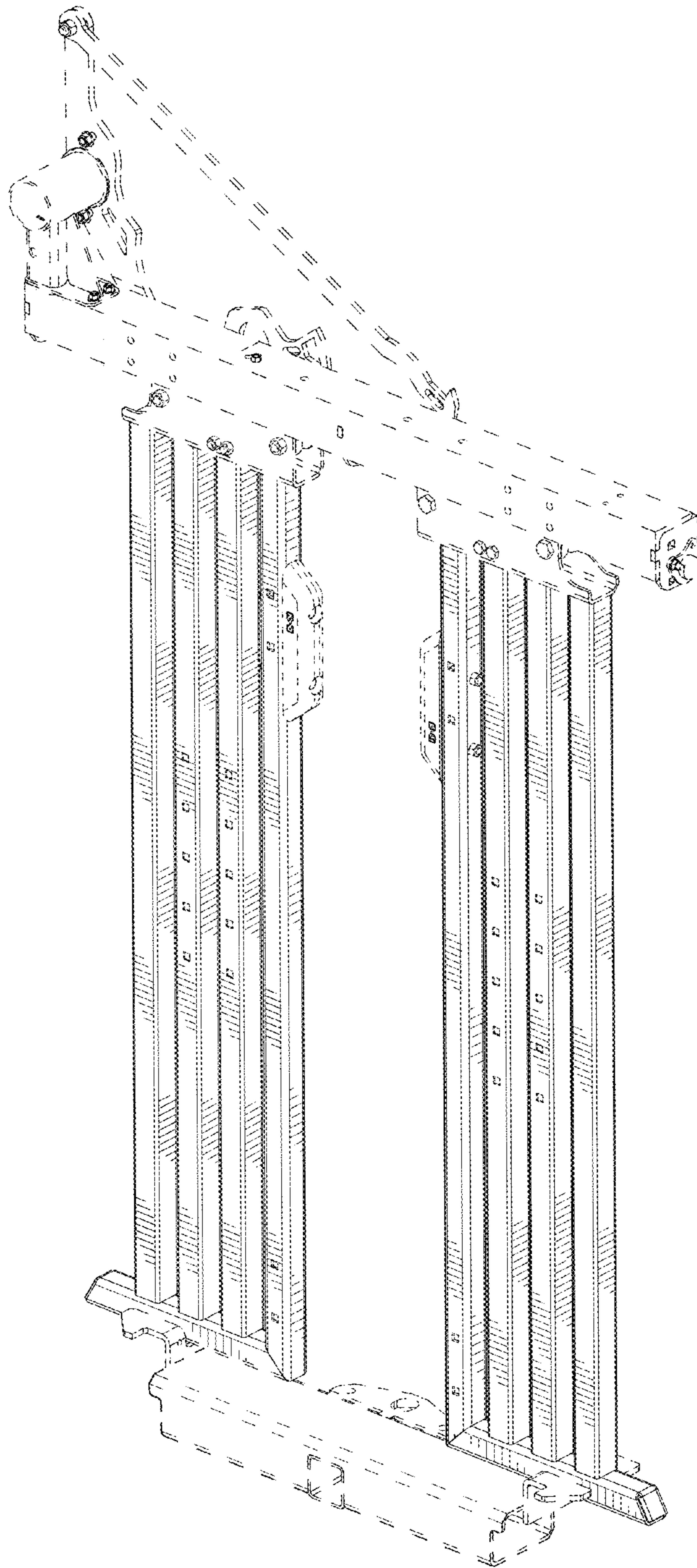


FIG.9

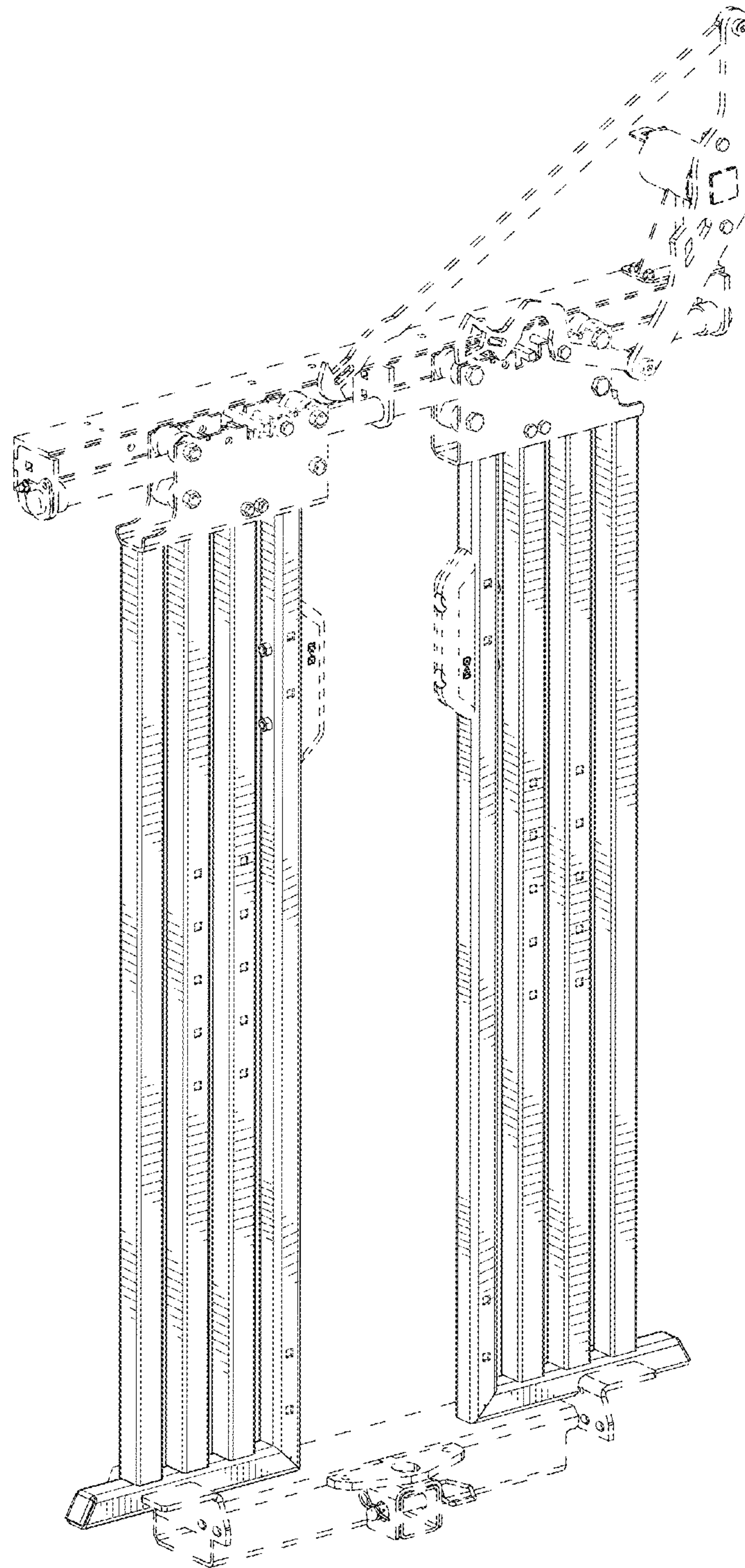


FIG.10

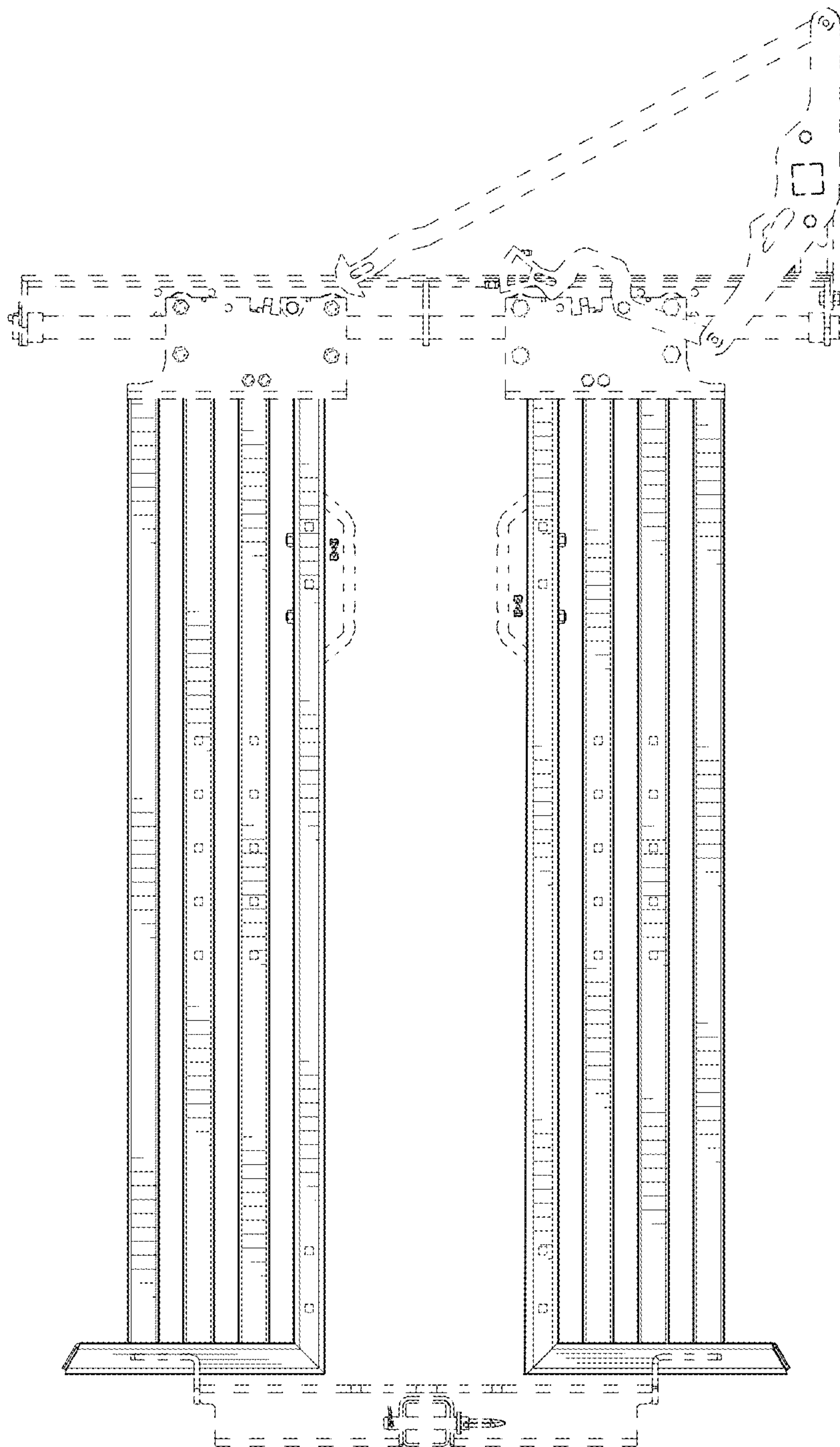


FIG.11

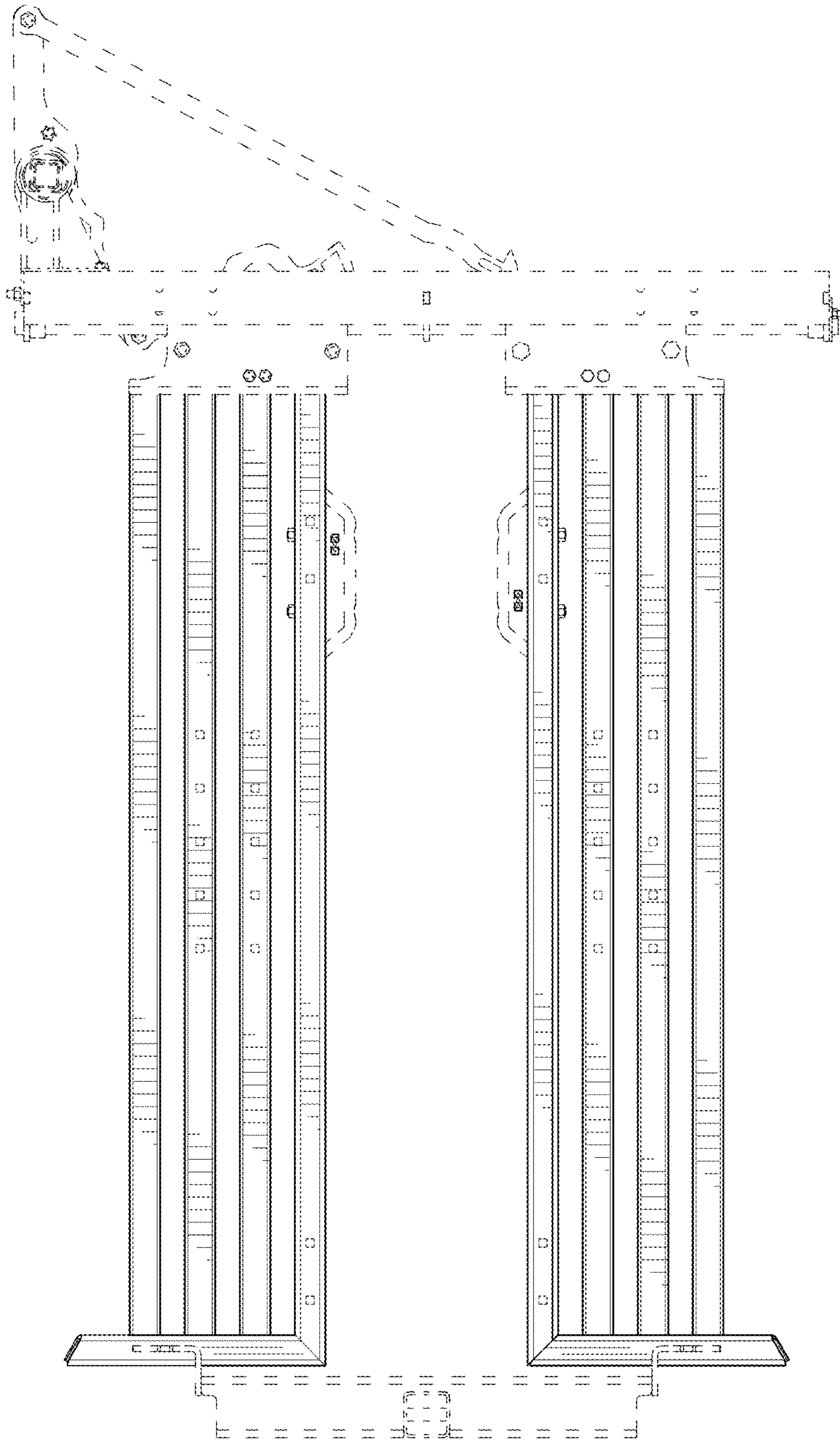


FIG.12

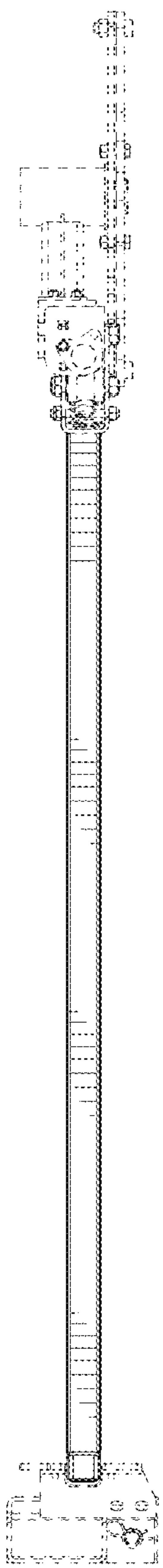


FIG. 13

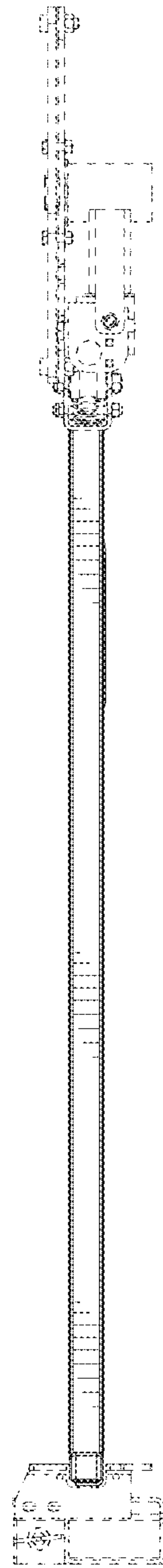


FIG. 14

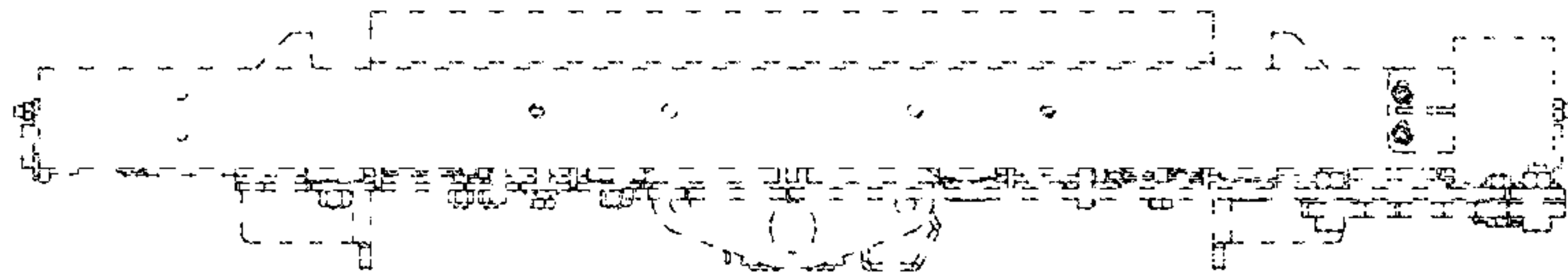


FIG.15

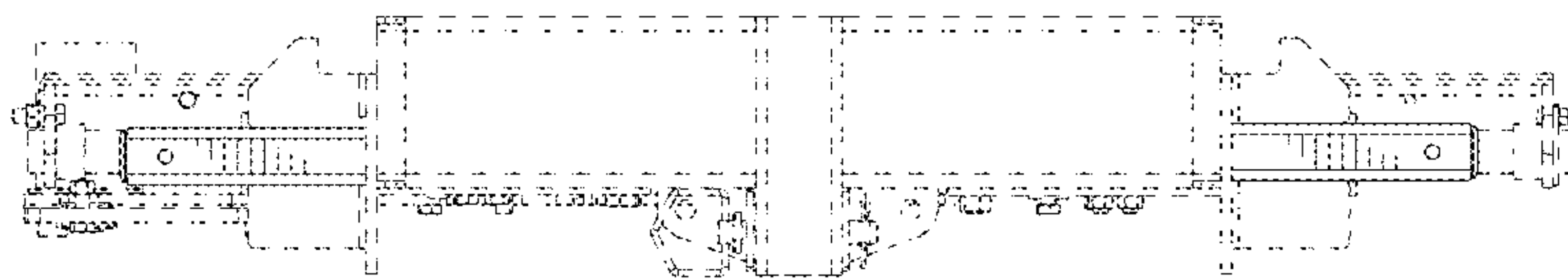


FIG.16