



US00D943765S

(12) **United States Design Patent**
Griffin

(10) **Patent No.:** **US D943,765 S**

(45) **Date of Patent:** **** Feb. 15, 2022**

(54) **BUR HOLDER**

(71) Applicant: **Practicon, Inc.**, Greenville, NC (US)

(72) Inventor: **Bradley P. Griffin**, Greenville, NC (US)

(73) Assignee: **Practicon, Inc.**, Greenville, NC (US)

(**) Term: **15 Years**

(21) Appl. No.: **29/685,069**

(22) Filed: **Mar. 26, 2019**

(51) **LOC (13) Cl.** **24-99**

(52) **U.S. Cl.**
USPC **D24/231**

(58) **Field of Classification Search**
USPC D24/231, 227, 128, 229; D23/393;
D8/356, 394; D19/65; D13/166;
D27/183
CPC A61C 19/00; A61B 50/20; F16L 3/223;
F16L 3/243; A61L 2/26
See application file for complete search history.

(56) **References Cited**

U.S. PATENT DOCUMENTS

337,888 A	3/1886	Swan	
1,927,110 A	9/1933	Bannister	
2,880,857 A	4/1959	Parsons	
3,154,192 A	10/1964	Cowley	
4,260,057 A	4/1981	Wall-Anderson	
4,619,364 A	10/1986	Czopor, Jr.	
5,006,066 A	4/1991	Rouse	
D368,532 S *	4/1996	Jonkman	D24/227
5,692,609 A	12/1997	Lin	
D400,709 S	11/1998	Chang	
D432,790 S	10/2000	Streich	
6,131,740 A	10/2000	Huang	

(Continued)

OTHER PUBLICATIONS

“Practicon Bur . . .” reference dated Aug. 27, 2020 found by RMS on the internet at: <https://www.practicon.com/bursafe-bur-holders/p/7039730>.*

Primary Examiner — Rhea Shields

(74) *Attorney, Agent, or Firm* — Ward and Smith, P.A.; Ryan K. Simmons

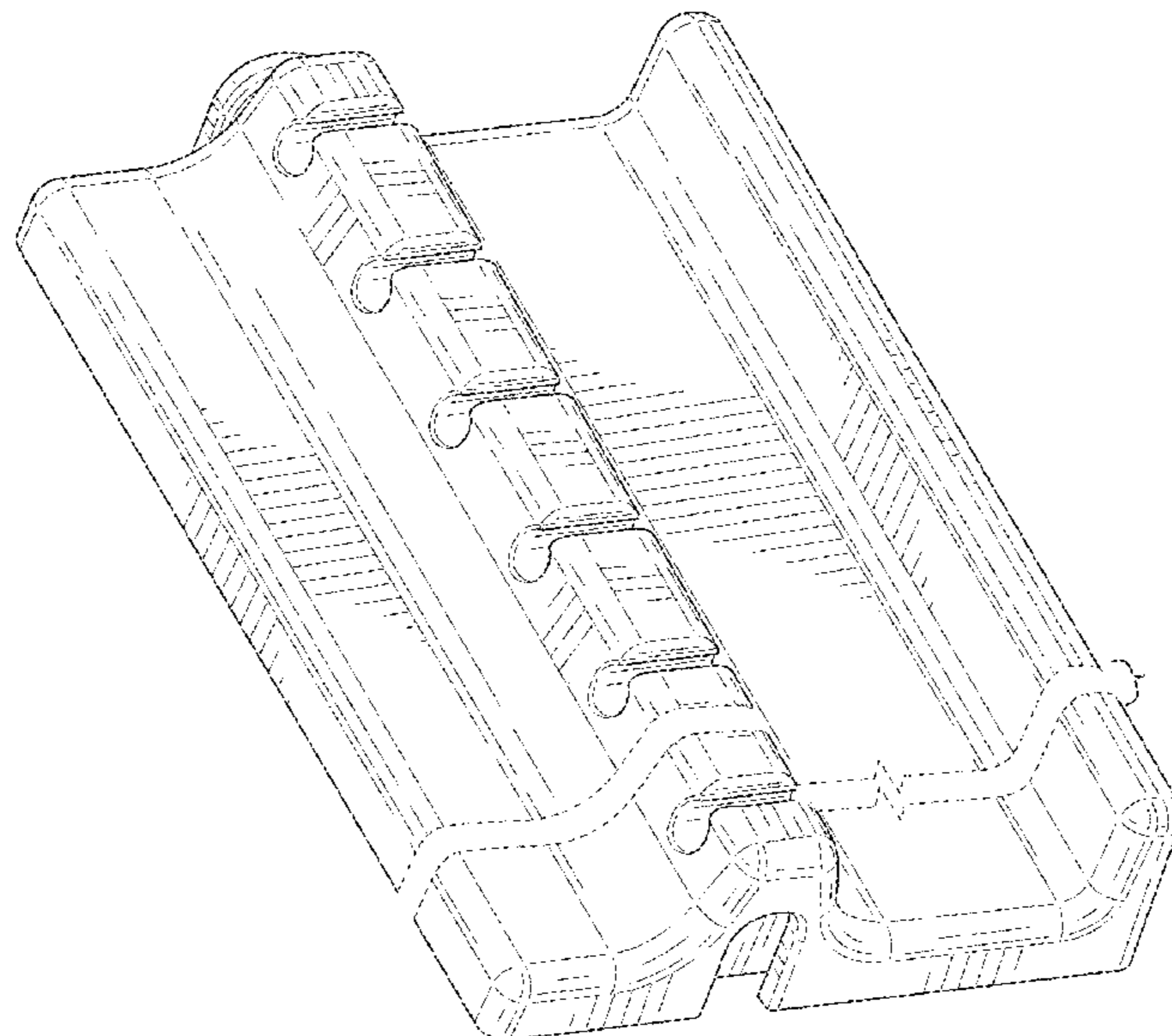
(57) **CLAIM**

The ornamental design for a bur holder, as shown and described.

DESCRIPTION

FIG. 1 is a right front perspective view of a bur holder showing a new design;
 FIG. 2 is a left front perspective view thereof;
 FIG. 3 is a top plane view thereof;
 FIG. 4 is bottom plane view thereof;
 FIG. 5 is a left side elevation view thereof;
 FIG. 6 is a right side elevation view thereof;
 FIG. 7 is a front elevation view thereof;
 FIG. 8 is a rear elevation view thereof;
 FIG. 9 is another perspective view of the bur holder of FIG. 1 shown with example burs held therein for environmental purposes;
 FIG. 10 is another perspective view of the bur holder of FIG. 9 showing a user in the process of removing a bur held therein for environmental purposes;
 FIG. 11 is another perspective view of the bur holder of FIG. 9 showing a user in the process of removing a bur held therein for environmental purposes; and,
 FIG. 12 is another perspective view of the bur holder of FIG. 1 shown as attached to other bur holders for environmental purposes.
 In the drawings, the bur holder is shown with a symbolic break in its length. The appearance of any portion of the article between the break lines forms no part of the claimed design. In FIGS. 9, 10, 11 and 12 the broken lines show environment and form no part of the claimed design.

1 Claim, 10 Drawing Sheets



(56)

References Cited

U.S. PATENT DOCUMENTS

6,360,051 B1 *	3/2002	Daoud	G02B 6/3801 385/134	D853,336 S *	7/2019	Barram	D13/155
6,405,864 B1	6/2002	Streich		D886,992 S *	6/2020	Kindler	D24/128
6,450,328 B1	9/2002	Machacek		D903,901 S *	12/2020	Griffin	D24/229
D475,853 S	6/2003	Chen		D910,872 S *	2/2021	White	D24/229
D488,054 S *	4/2004	Myers	D8/356	D930,459 S *	9/2021	Breines	D8/356
6,793,078 B2	9/2004	Rashdy		2004/0118982 A1 *	6/2004	Shillings	F16L 3/223 248/68.1
6,801,704 B1 *	10/2004	Daoud	G02B 6/4471 385/134	2007/0104609 A1 *	5/2007	Powell	A61L 2/26 422/1
D644,501 S *	9/2011	Chen	D8/356	2007/0235597 A1 *	10/2007	Winchester	F16L 3/223 248/68.1
D657,869 S *	4/2012	Mammen	D24/128	2011/0147542 A1 *	6/2011	Hoek	F16L 3/223 248/68.1
D743,048 S *	11/2015	Kuran	D24/231	2013/0299371 A1	11/2013	Johansson	
9,238,301 B2	1/2016	Streich		2014/0064868 A1	3/2014	Clark	
D755,043 S *	5/2016	Bailey	D8/394	2014/0339114 A1 *	11/2014	Griffin	A61B 50/20 206/370
D777,254 S *	1/2017	Condren	D19/65	2017/0014988 A1	1/2017	Yeh	
9,575,278 B2 *	2/2017	Leclerc	G02B 6/4471	2018/0311810 A1	11/2018	Larson	
D782,024 S *	3/2017	Murphy	D23/393	2020/0306009 A1 *	10/2020	Griffin	A61C 19/00
9,618,143 B2 *	4/2017	Noble	F16L 3/243	2020/0324399 A1	10/2020	Christen	
D790,127 S *	6/2017	Verleur	D27/183				

* cited by examiner

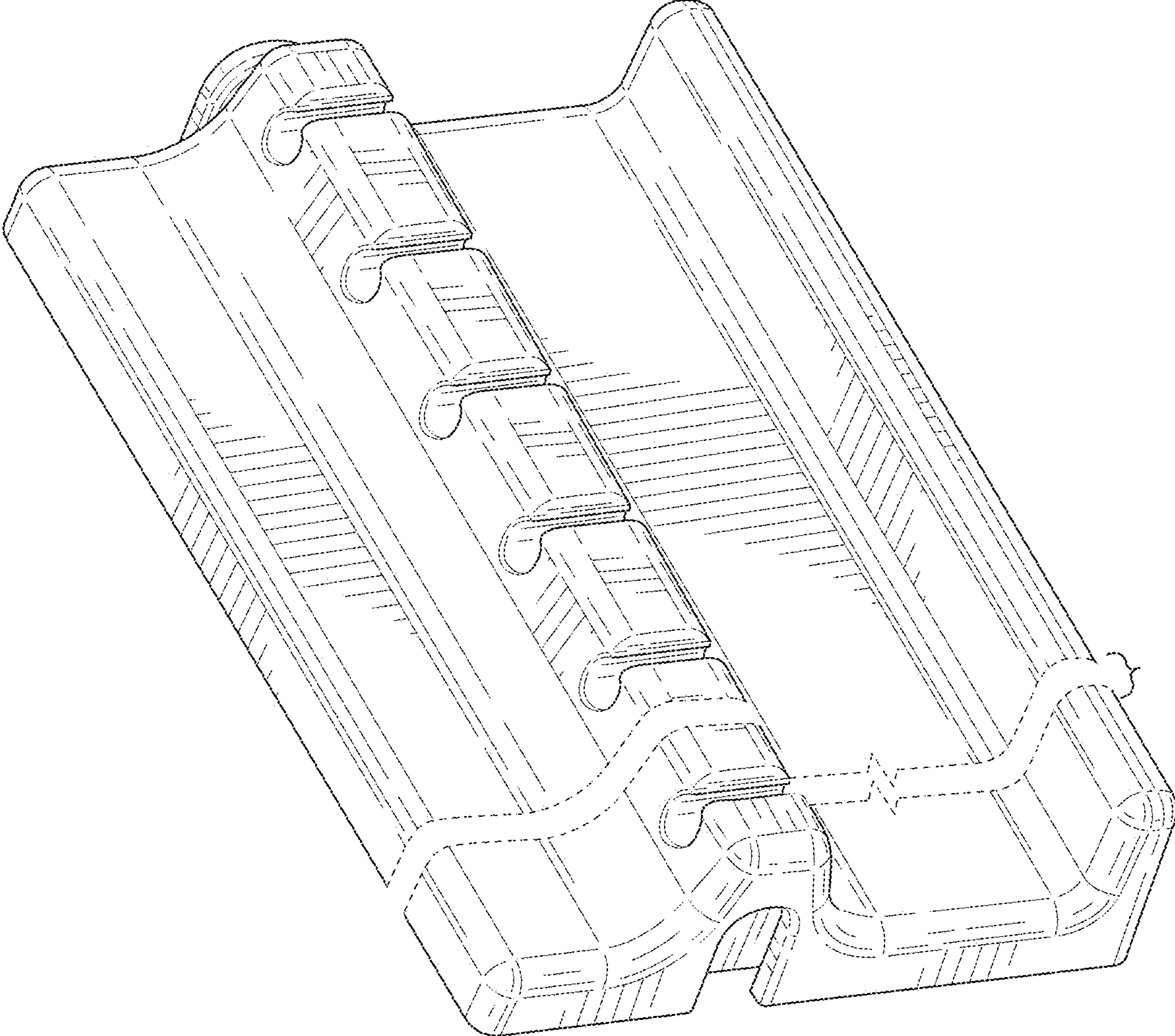


FIG. 1

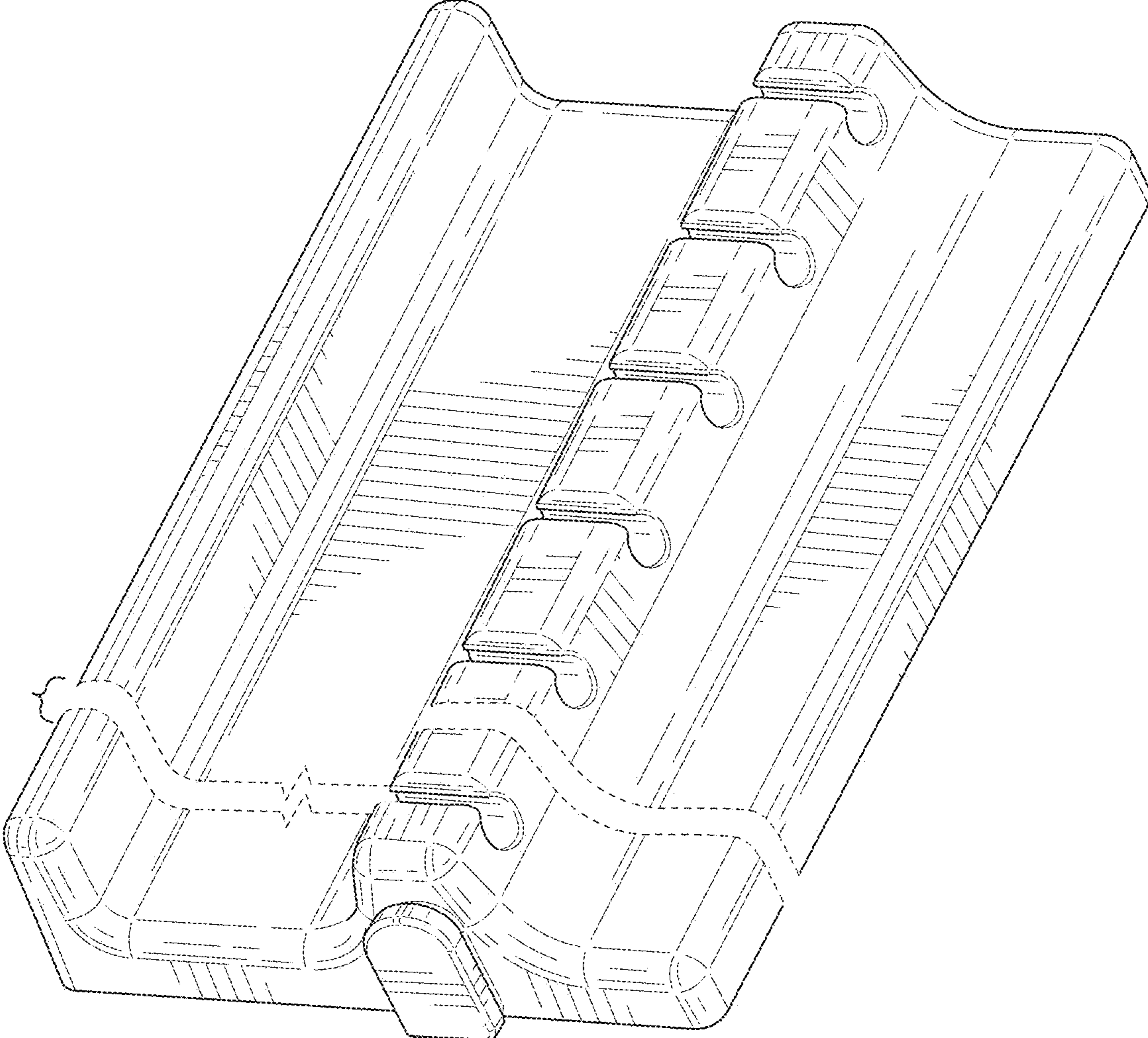


FIG. 2

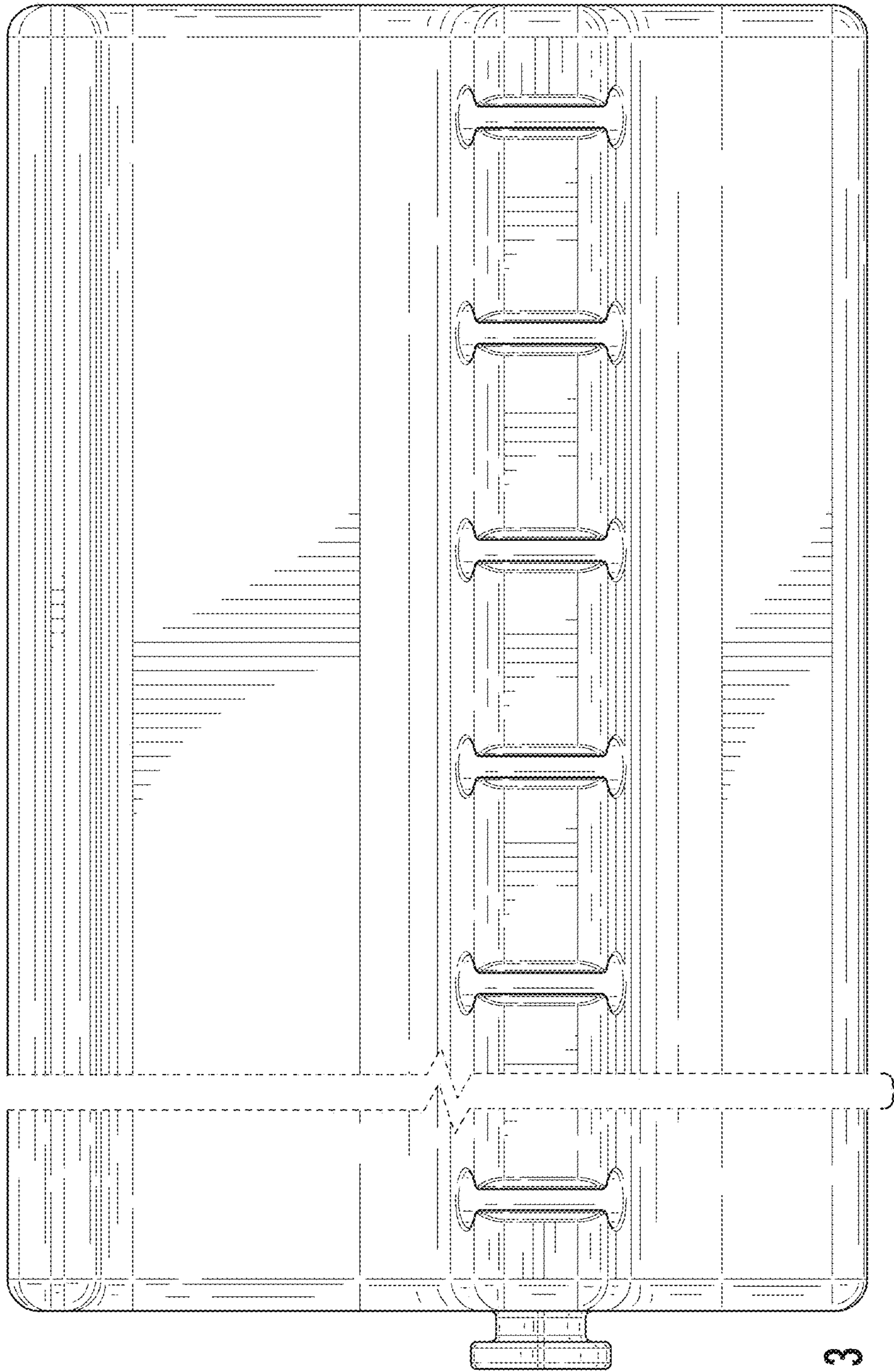


FIG. 3

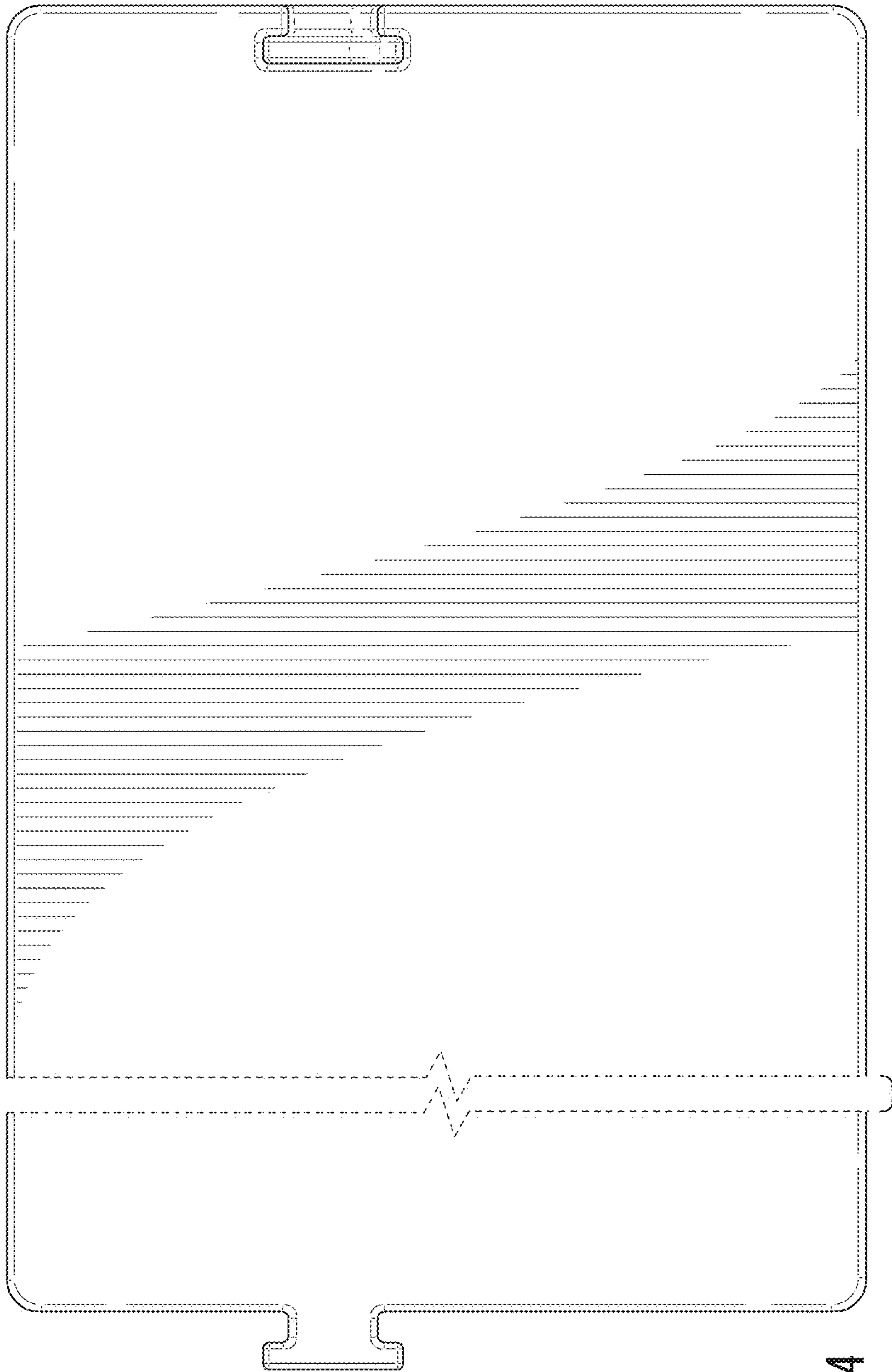


FIG. 4

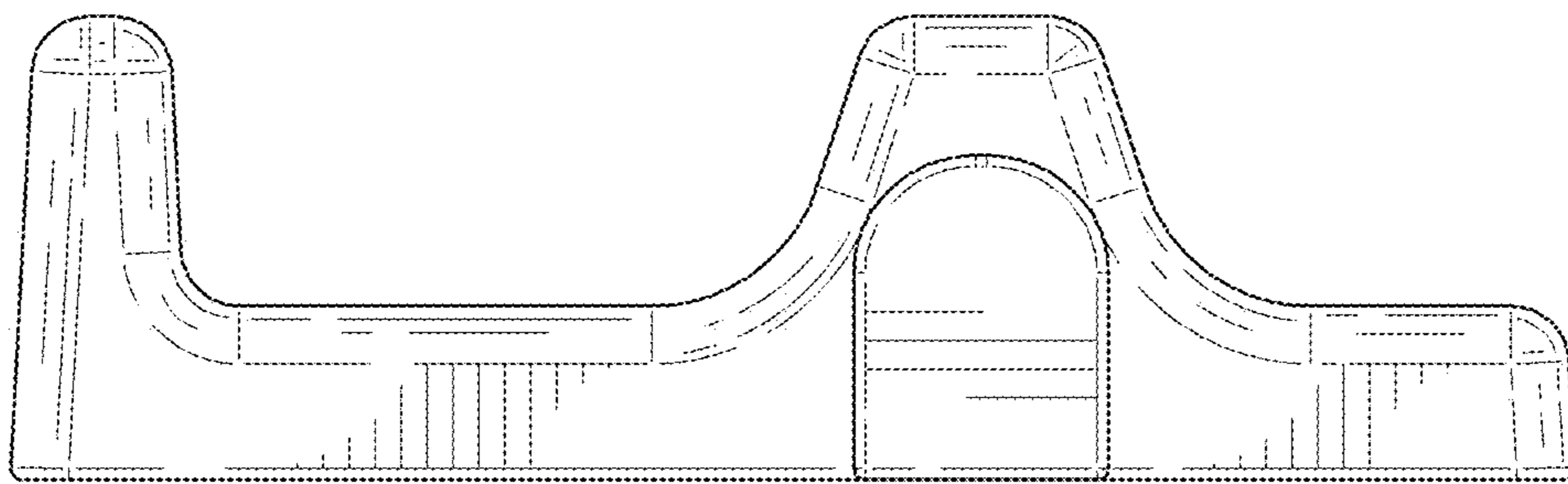


FIG. 5

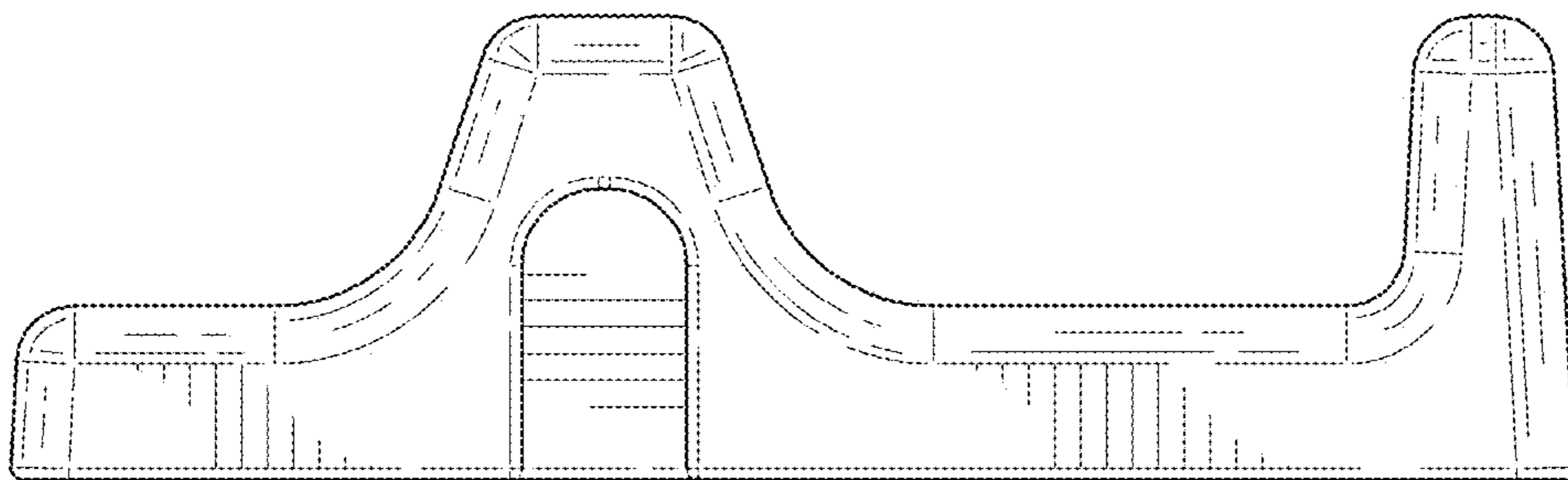


FIG. 6

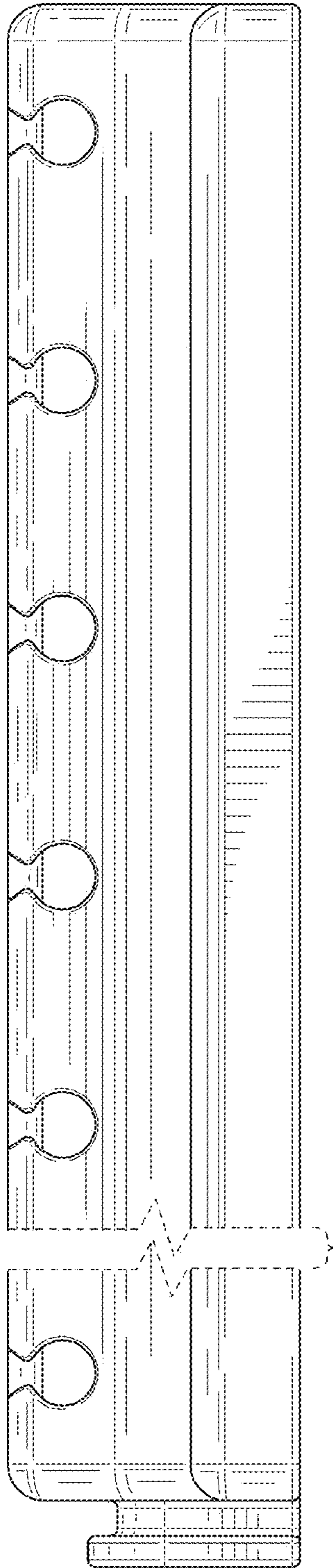


FIG. 7

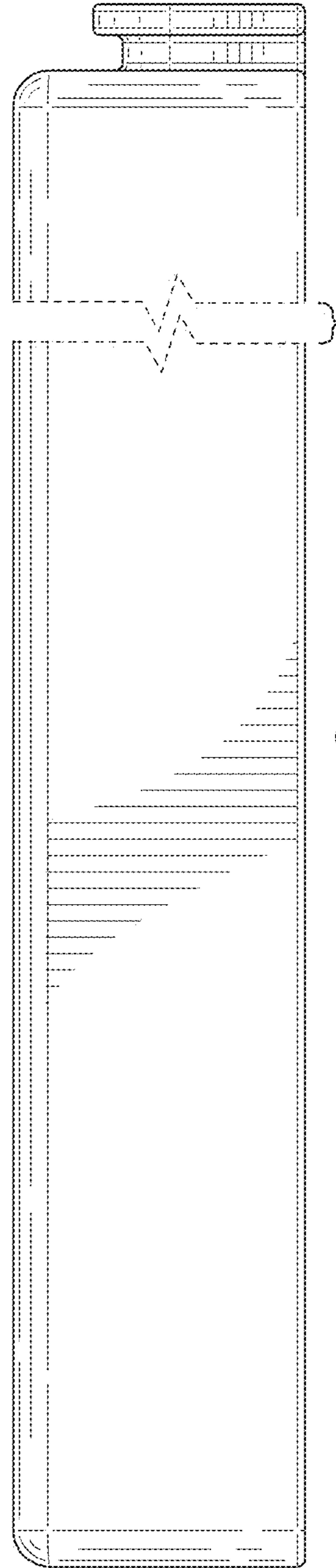


FIG. 8

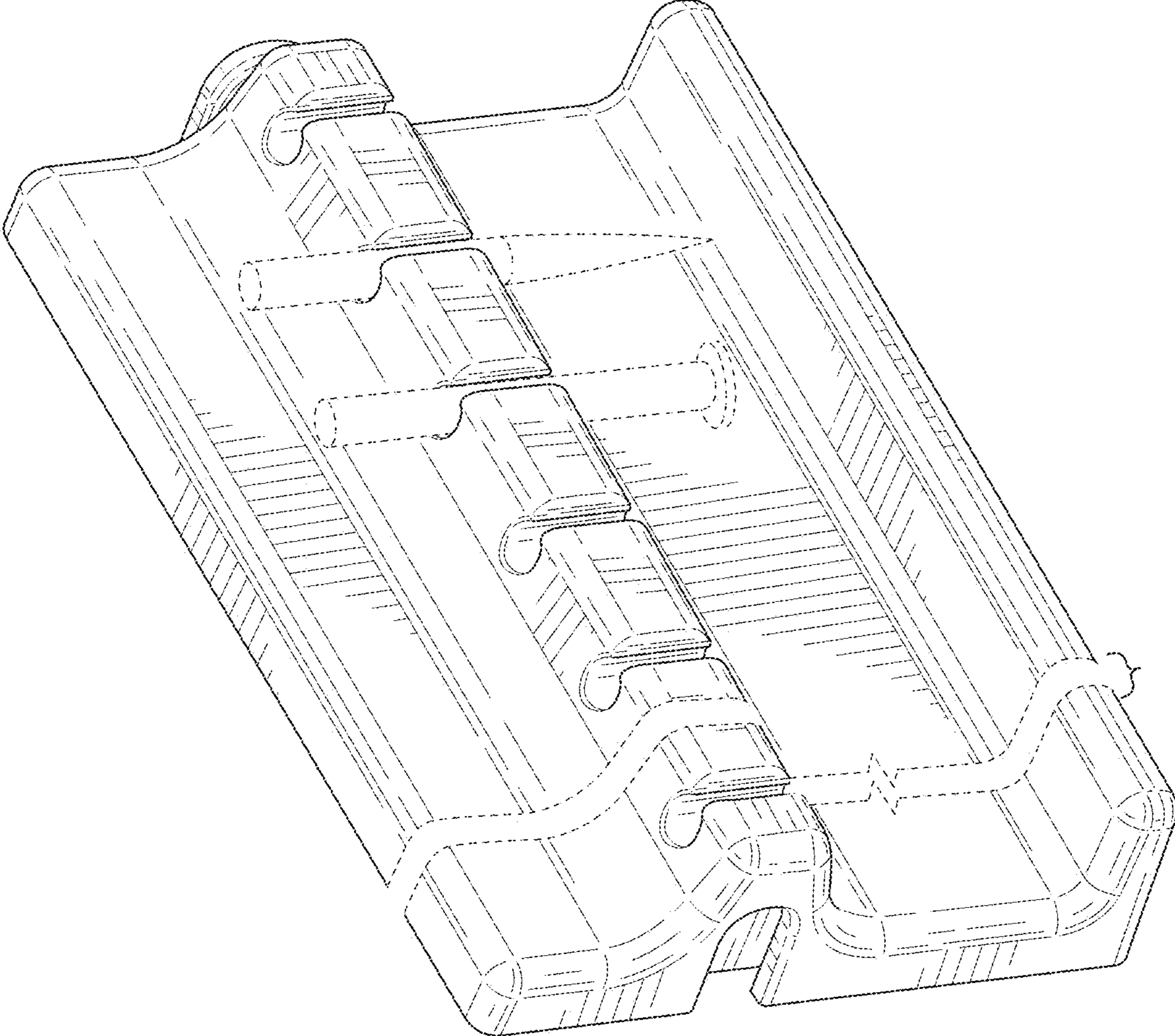


FIG. 9

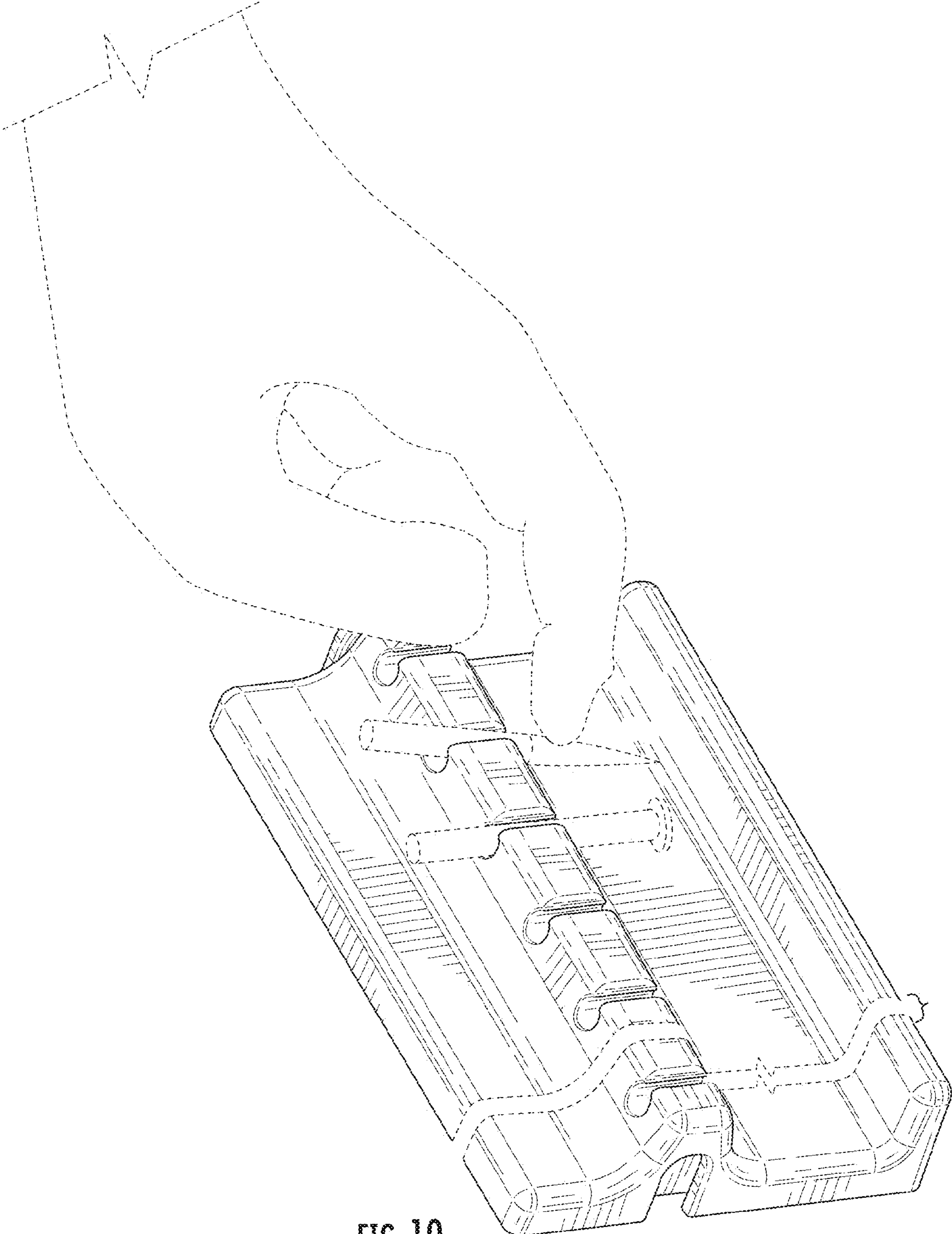


FIG. 10

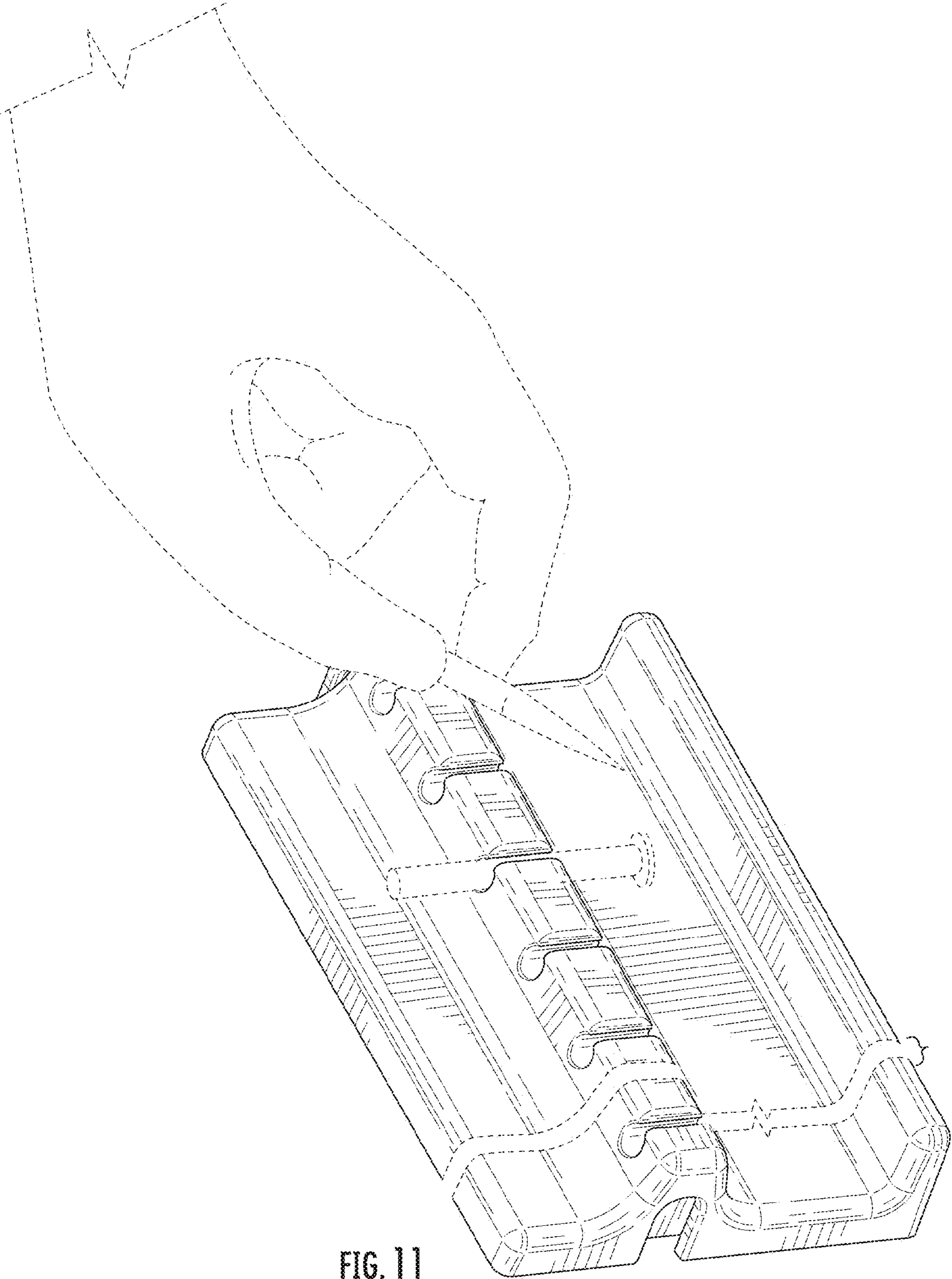


FIG. 11

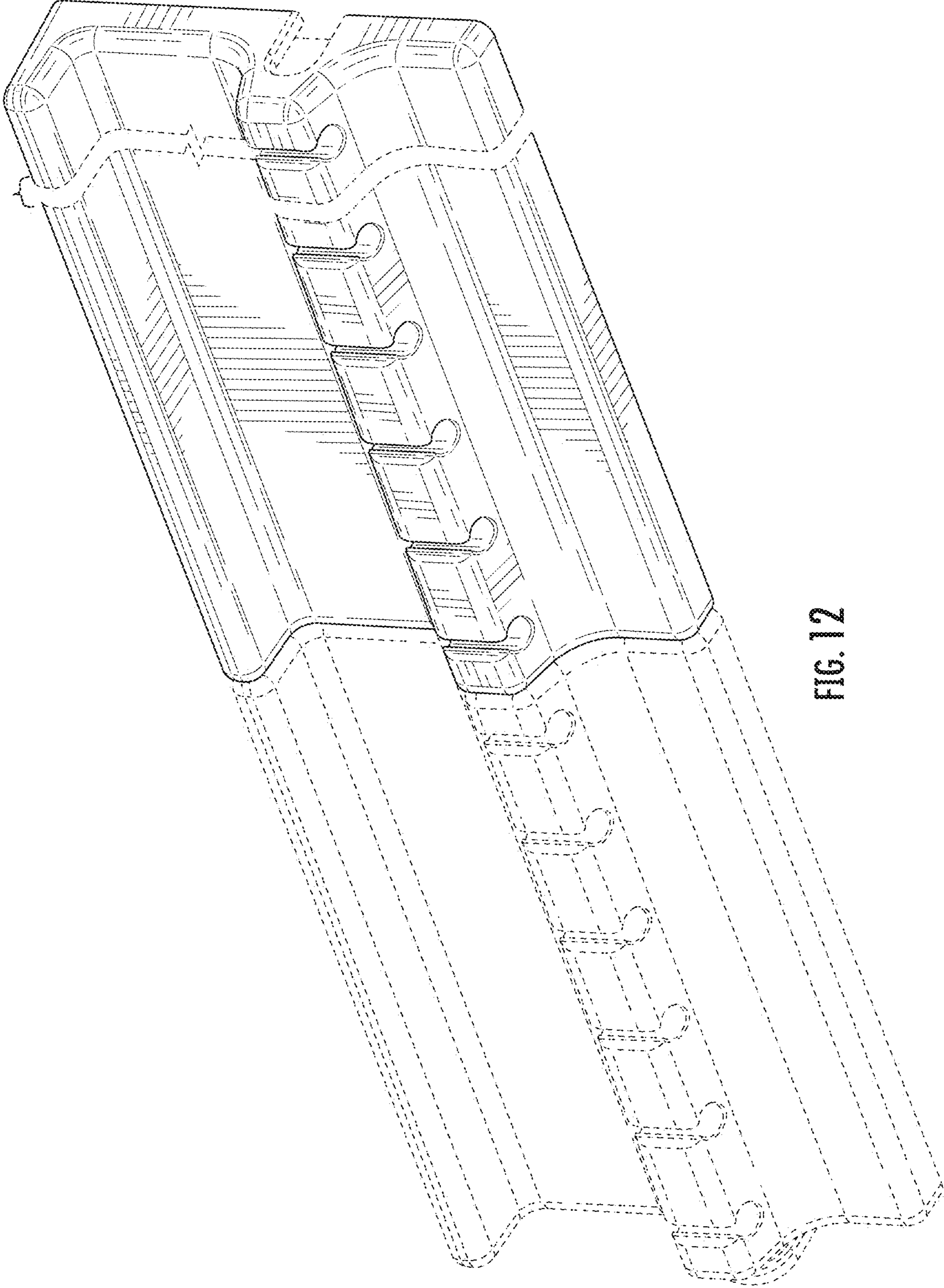


FIG. 12