



US00D943764S

(12) **United States Design Patent**  
**Hyland et al.**

(10) **Patent No.:** **US D943,764 S**  
(45) **Date of Patent:** **\*\* Feb. 15, 2022**

(54) **MEDICAL APPARATUS AND EQUIPMENT**

(71) Applicant: **Keymed (Medical & Industrial Equipment) Ltd**, Essex (GB)  
(72) Inventors: **Matthew Hyland**, Southend-on-Sea (GB); **Stuart Anthony Howsden**, Southend-on-Sea (GB); **Nicholas MacMillan**, Southend-on-Sea (GB)  
(73) Assignee: **Keymed (Medical & Industrial Equipment) Ltd.**, Southend-on-Sea (GB)

(\*\*) Term: **15 Years**

(21) Appl. No.: **35/510,051**

(22) Filed: **Jul. 29, 2020**

(80) **Hague Agreement Data**

Int. Filing Date: **Jul. 29, 2020**  
Int. Reg. No.: **DM/209629**  
Int. Reg. Date: **Jul. 29, 2020**  
Int. Reg. Pub. Date: **Aug. 14, 2020**

(30) **Foreign Application Priority Data**

Feb. 13, 2020 (GB) ..... 6083325  
Feb. 13, 2020 (GB) ..... 6083326  
Feb. 13, 2020 (GB) ..... 6083327

(51) **LOC (13) Cl.** ..... **24-99**

(52) **U.S. Cl.**  
USPC ..... **D24/227**

(58) **Field of Classification Search**  
USPC ..... D24/227-231  
CPC ..... B01L 2200/025; B01L 2300/0809; B01L 2300/0858; B01L 9/543  
See application file for complete search history.

(56) **References Cited**

U.S. PATENT DOCUMENTS

2,641,368 A \* 6/1953 Brown ..... B08B 9/28  
211/74  
D196,884 S \* 11/1963 Furlong, Jr. .... D19/83  
3,207,302 A \* 9/1965 Hobbs ..... A61M 5/002  
206/366  
8,561,820 B2 \* 10/2013 Kitt ..... A61G 12/001  
211/187  
D700,705 S \* 3/2014 Kitt ..... D24/185  
D918,416 S \* 5/2021 De Saint Martin ..... D24/227  
D919,832 S \* 5/2021 Grigg ..... D24/232  
2019/0358637 A1 \* 11/2019 Chun ..... G01N 21/6428  
2020/0206745 A1 \* 7/2020 Peters ..... G01N 35/1065  
2020/0384461 A1 \* 12/2020 Strong ..... B01L 3/5023

\* cited by examiner

*Primary Examiner* — Michael A. Pratt

(74) *Attorney, Agent, or Firm* — Leydig, Voit & Mayer, Ltd.

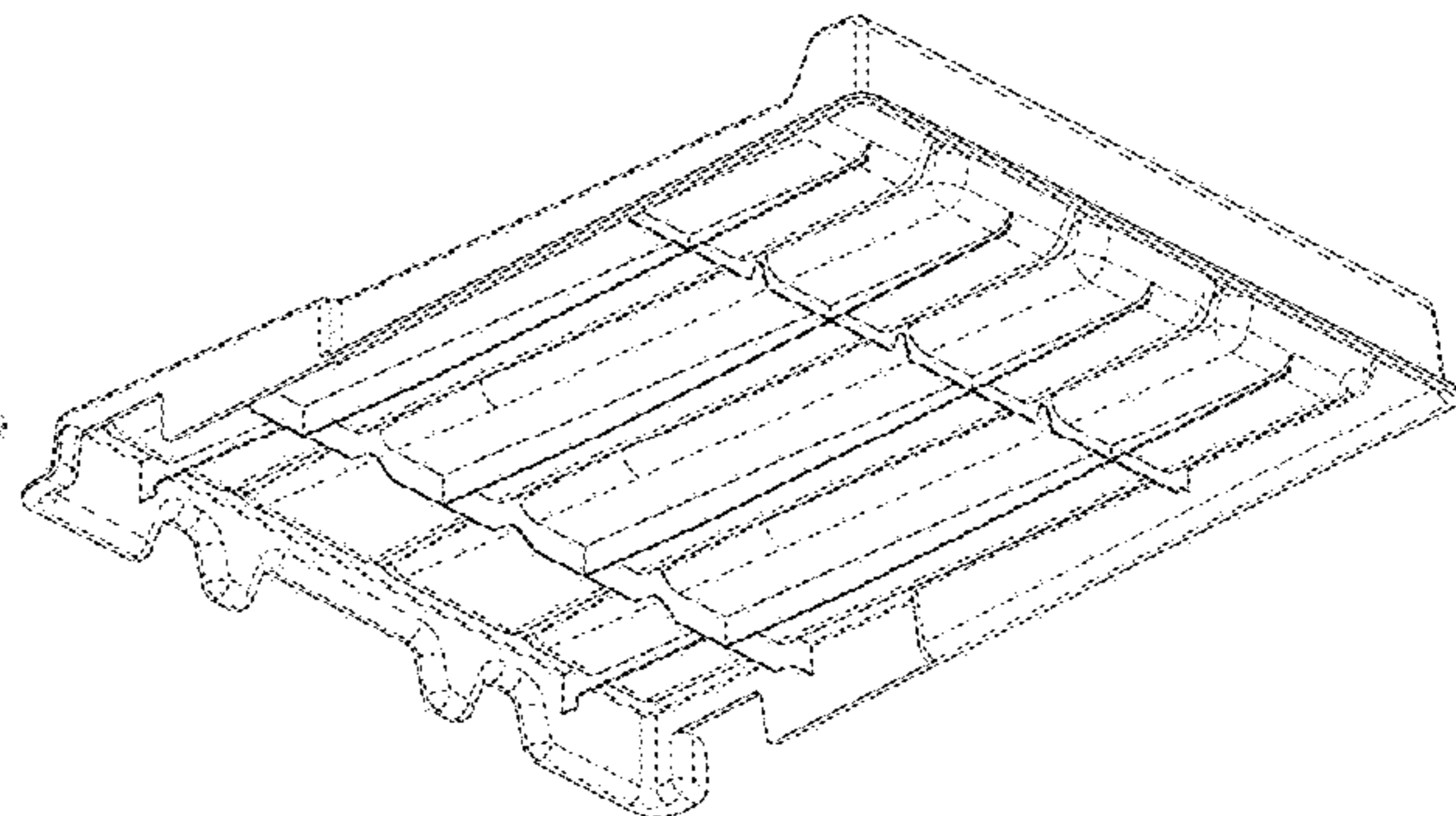
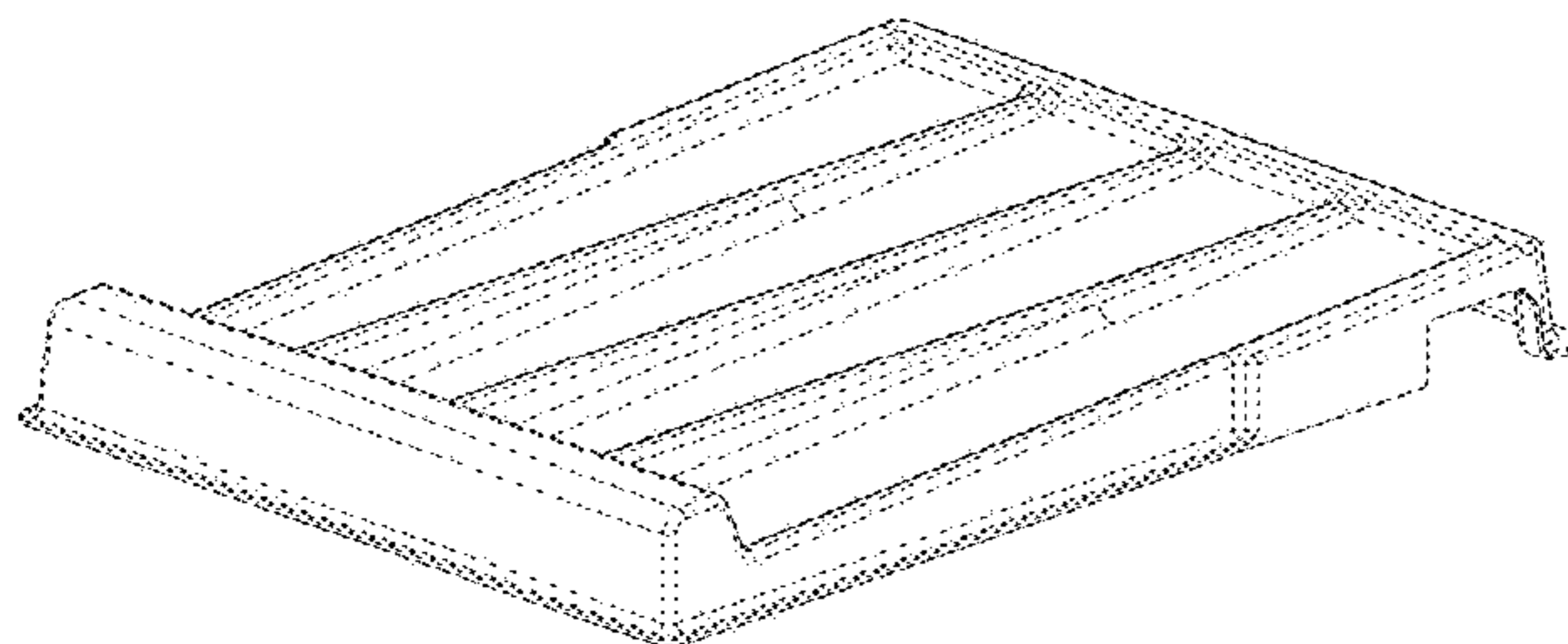
(57) **CLAIM**

The ornamental design for medical apparatus and equipment, as shown and described.

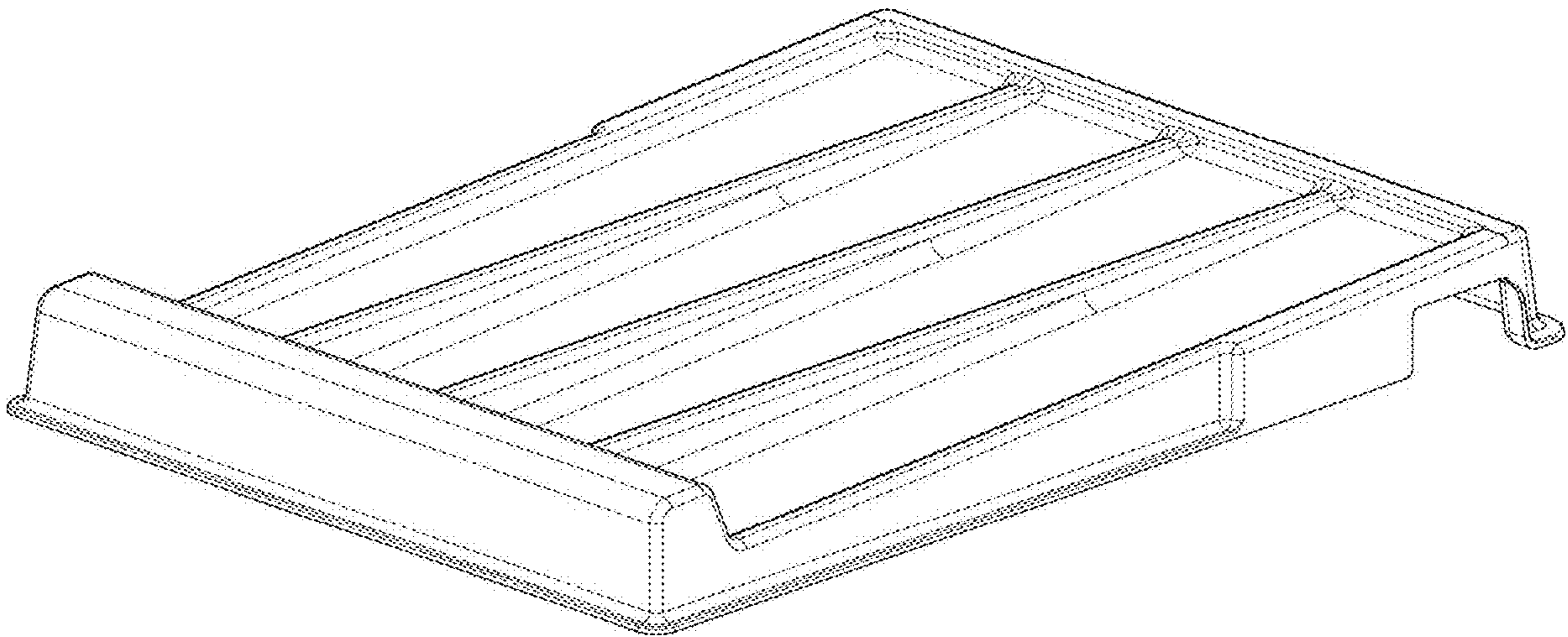
**DESCRIPTION**

- 1. Medical apparatus and equipment
- 1.1 : Perspective view from above
- 1.2 : Perspective view from below
- 1.3 : Side view
- 1.4 : End view
- 1.5 : Other end view
- 1.6 : Top
- 1.7 : Bottom
- 1.8 : Other side view

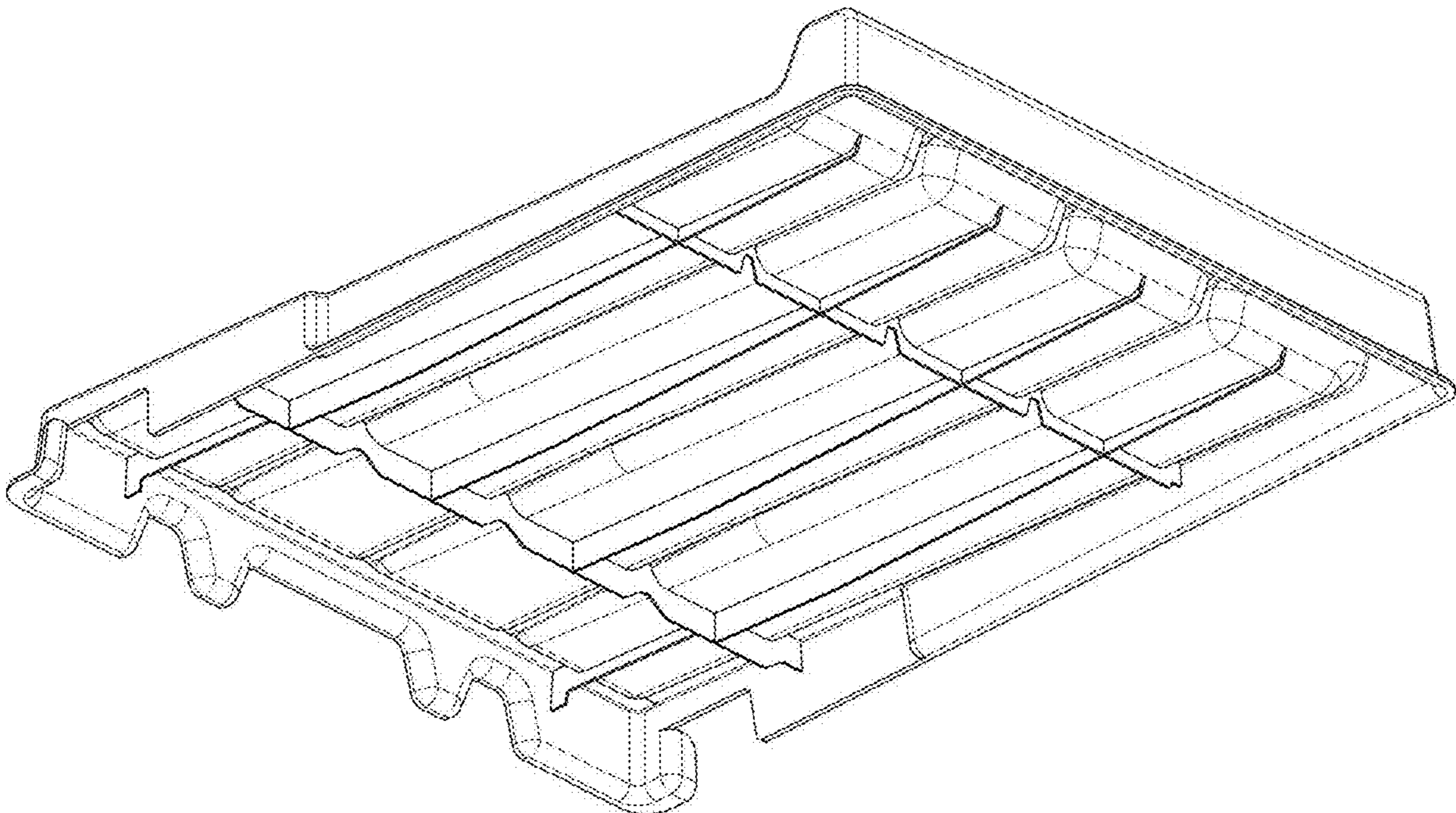
**1 Claim, 8 Drawing Sheets**

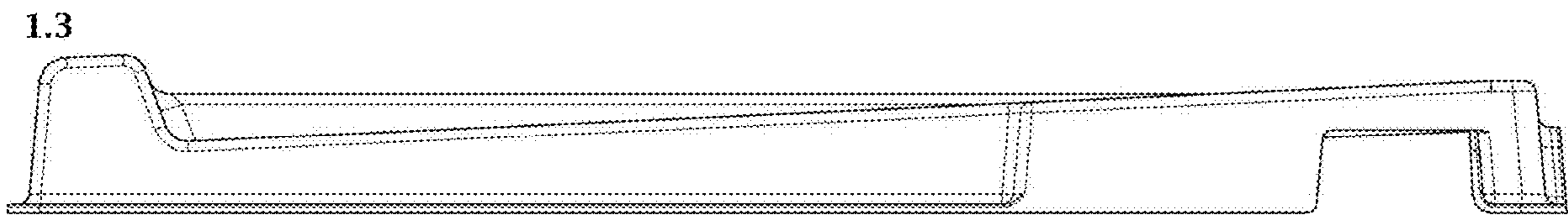


1.1

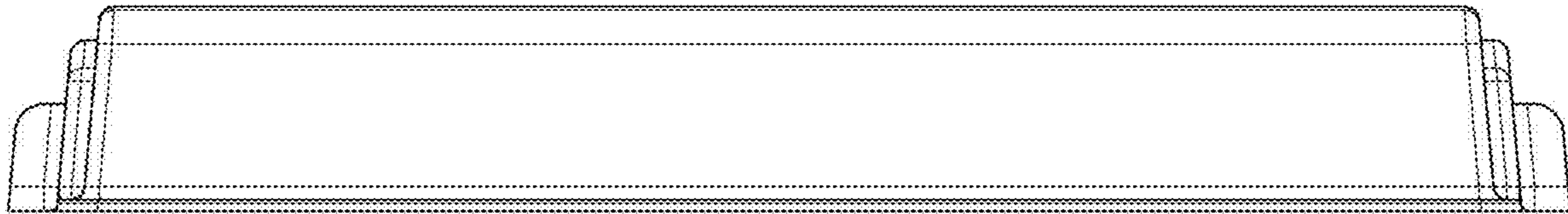


1.2

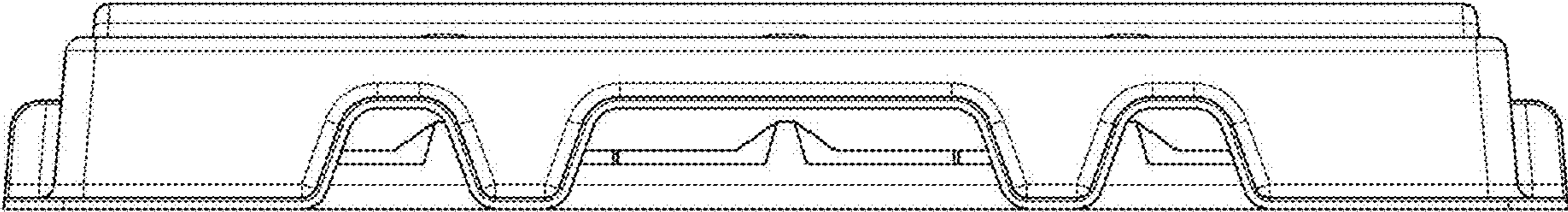




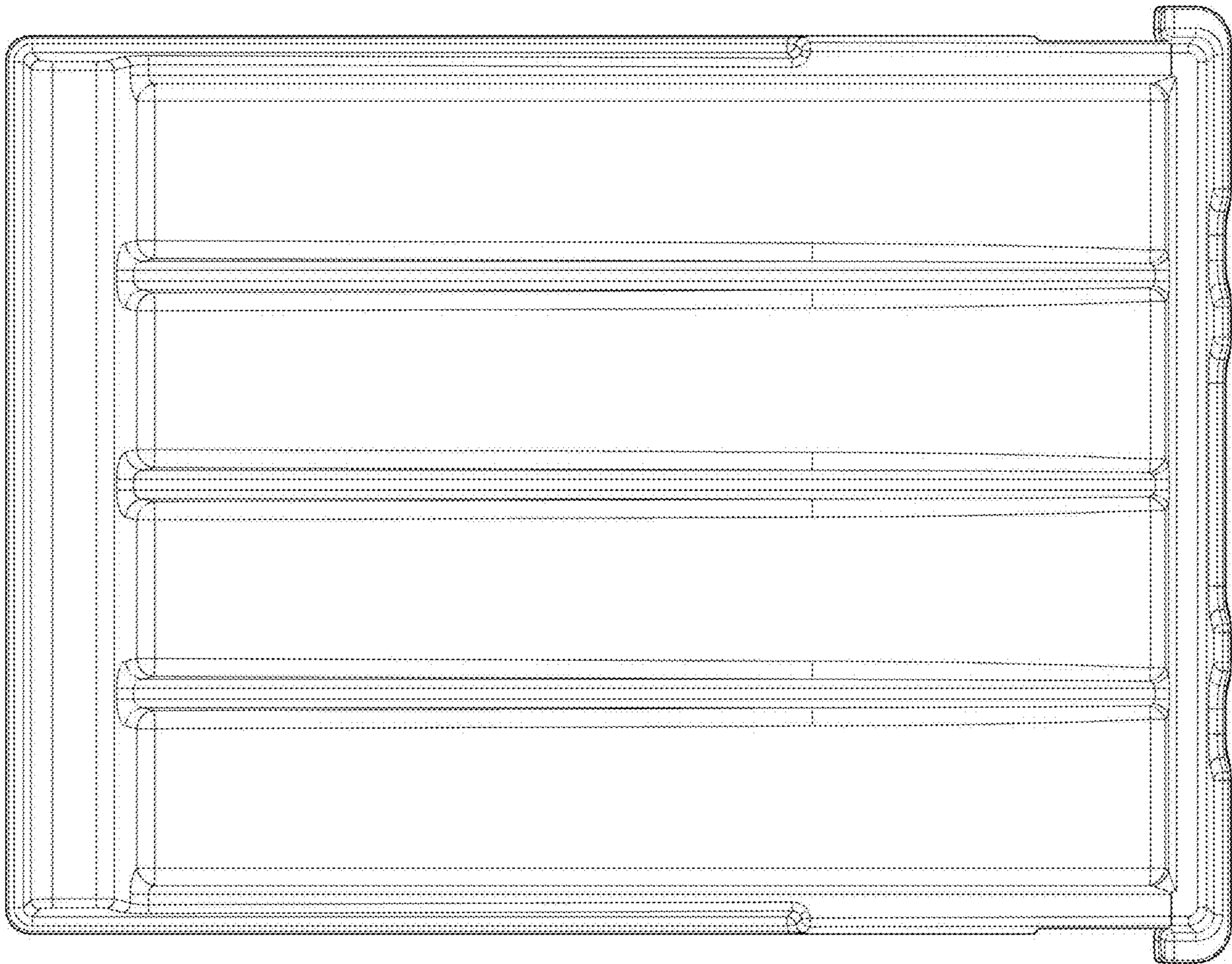
1.4



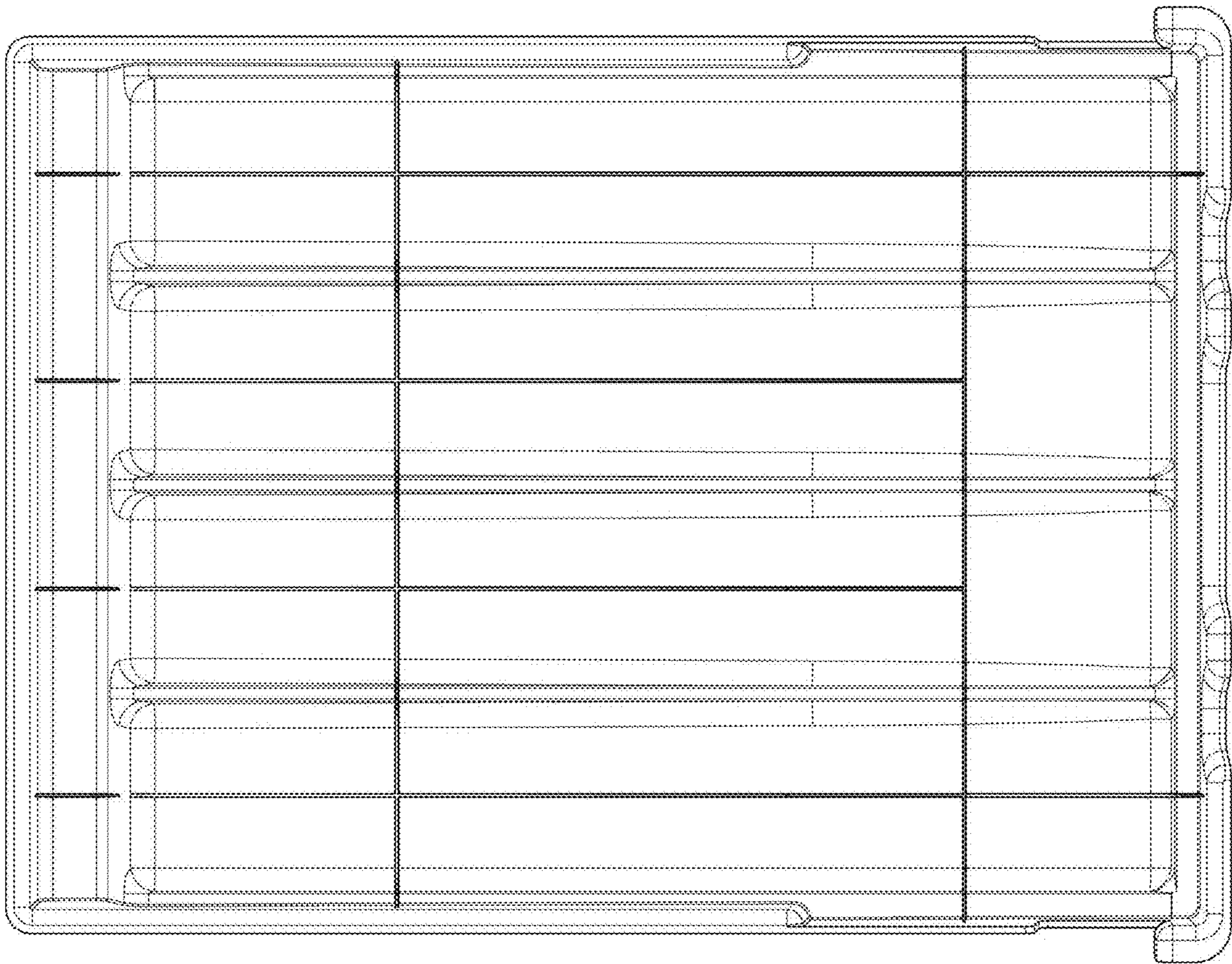
1.5



1.6



1.7





1.8

