



US00D943763S

(12) **United States Design Patent** (10) **Patent No.:** **US D943,763 S**
Madigan et al. (45) **Date of Patent:** **** Feb. 15, 2022**

- (54) **PAIR OF INSULATORS**
- (71) Applicants: **Richard Madigan**, Hingham, MA (US);
Connor Madigan, Foxborough, MA (US)
- (72) Inventors: **Richard Madigan**, Hingham, MA (US);
Connor Madigan, Foxborough, MA (US)
- (73) Assignee: **Accutech Packaging, Inc.**, Foxboro, MA (US)
- (**) Term: **15 Years**
- (21) Appl. No.: **29/766,463**
- (22) Filed: **Jan. 15, 2021**

Related U.S. Application Data

- (62) Division of application No. 29/691,427, filed on May 16, 2019, now Pat. No. Des. 918,414.
- (51) **LOC (13) Cl.** **24-02**
- (52) **U.S. Cl.**
USPC **D24/227**
- (58) **Field of Classification Search**
USPC D24/216, 217, 223–227, 229–232;
D9/430–432, 730; D3/203.1, 203.2;
D7/543, 545, 602, 629
CPC C12M 23/10; C12M 23/12; B65D 21/086;
B65D 43/0208; B65D 21/0213; B65D
21/062
See application file for complete search history.

(56) **References Cited**

U.S. PATENT DOCUMENTS

- D427,063 S * 6/2000 May D9/425
- 8,381,909 B2 * 2/2013 Hernandez B65D 21/0233
206/503

- D752,973 S * 4/2016 Thurin D9/432
- D810,285 S * 2/2018 Adams D24/123
- D840,221 S * 2/2019 Lam D9/423
- D888,278 S * 6/2020 Madigan D24/227
- D893,025 S * 8/2020 Joyce D24/131
- D914,234 S * 3/2021 Yi D24/217
- D915,160 S * 4/2021 Madigan D7/703
- 10,988,302 B1 * 4/2021 Madigan B65D 81/3834
- D918,414 S * 5/2021 Madigan D24/227
- D925,762 S * 7/2021 LaPorte D24/217
- D928,565 S * 8/2021 Glupker D7/602
- 11,103,421 B1 * 8/2021 Madigan F25D 31/006
- D931,064 S * 9/2021 Xu D7/629
- D932,255 S * 10/2021 Dinkheller D7/629
- 2013/0075295 A1 * 3/2013 Sina B65D 43/0208
206/459.5
- 2018/0016064 A1 * 1/2018 Lam B65D 43/16

* cited by examiner

Primary Examiner — Susan Bennett Hattan

Assistant Examiner — Omeed Agilee

(74) *Attorney, Agent, or Firm* — Salter & Michaelson

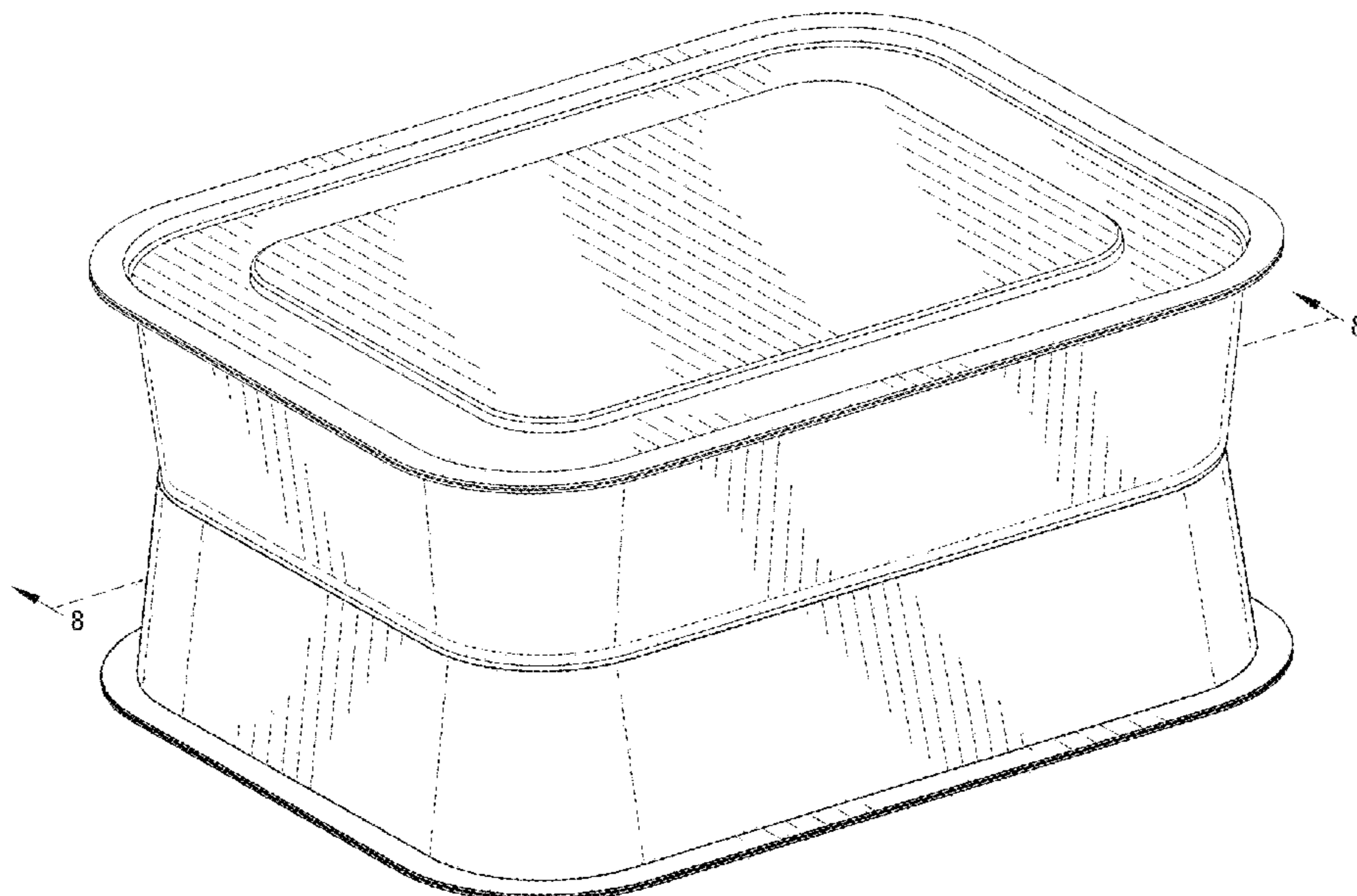
(57) **CLAIM**

The ornamental design for a pair of insulators, as shown and described.

DESCRIPTION

FIG. 1 is a top perspective view of an pair of insulators;
 FIG. 2 is a top plan view thereof;
 FIG. 3 is a bottom plan view thereof;
 FIG. 4 is a rear elevational view thereof;
 FIG. 5 is a front elevational view thereof;
 FIG. 6 is a right side elevational view thereof;
 FIG. 7 is a left side elevational view thereof; and,
 FIG. 8 is a cross-sectional view taken along line 8-8 of FIG. 1.
 The broken lines in the drawings depict portions of the pair of insulators that form no part of the claimed design.

1 Claim, 8 Drawing Sheets



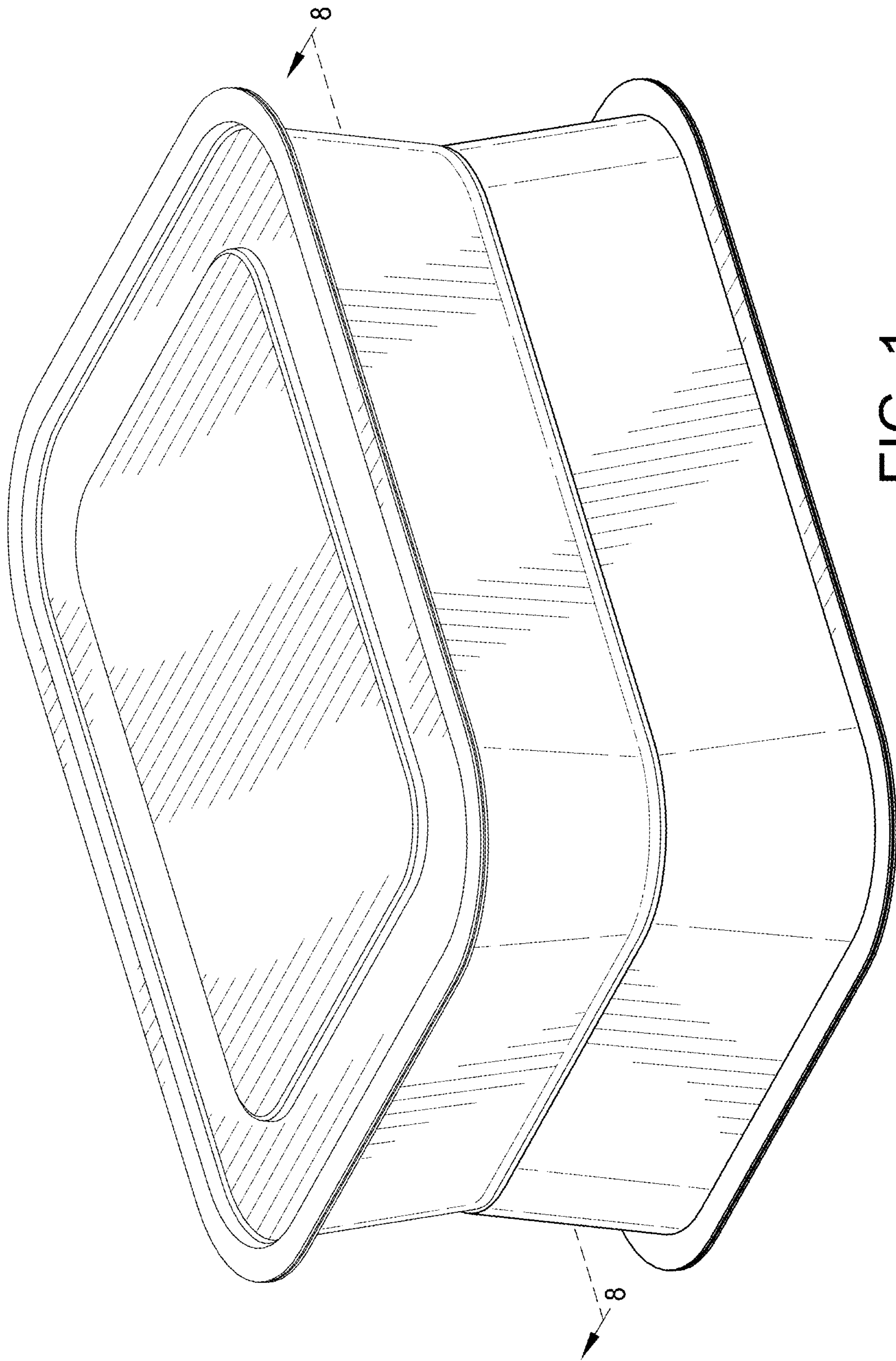


FIG. 1

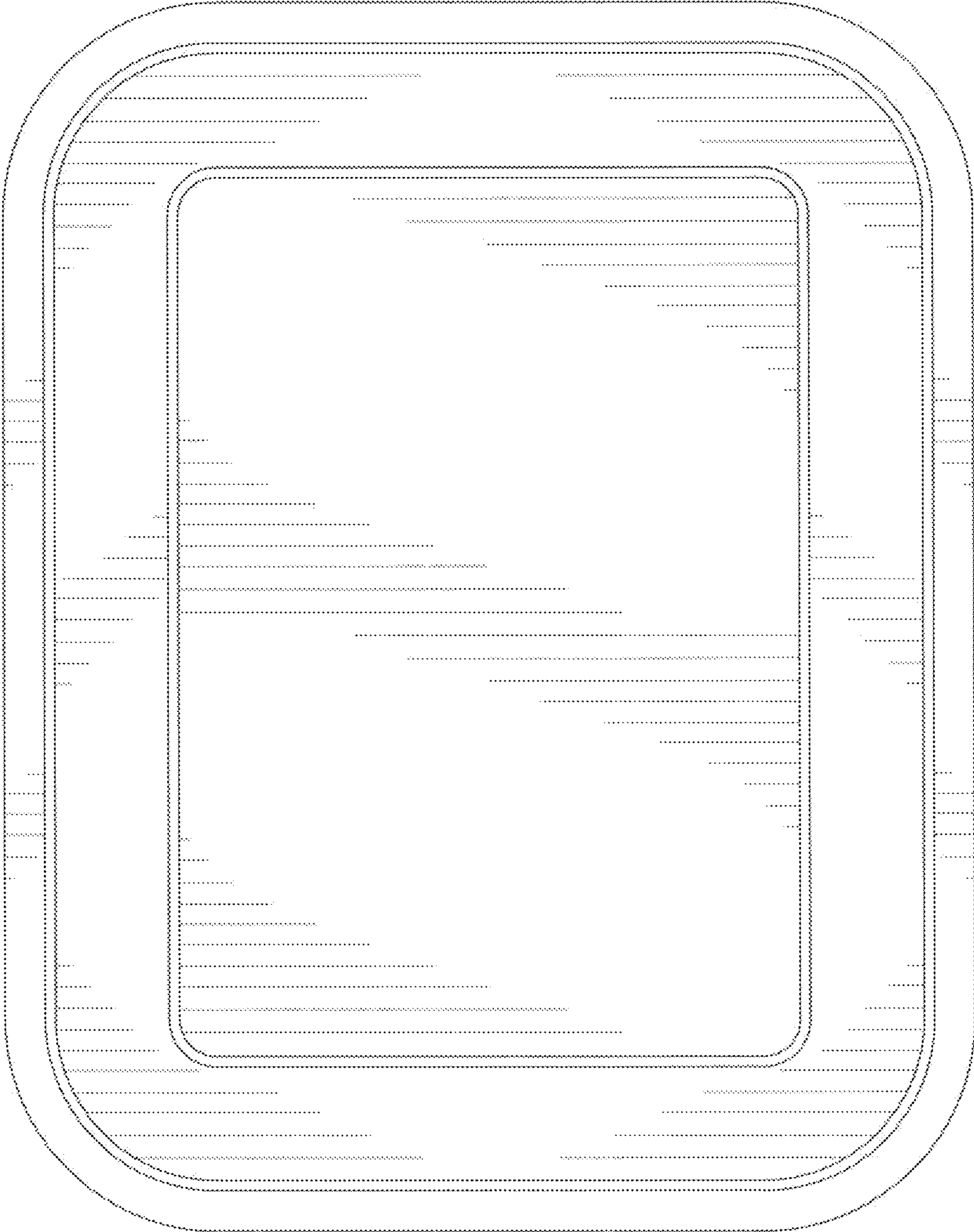


FIG. 2

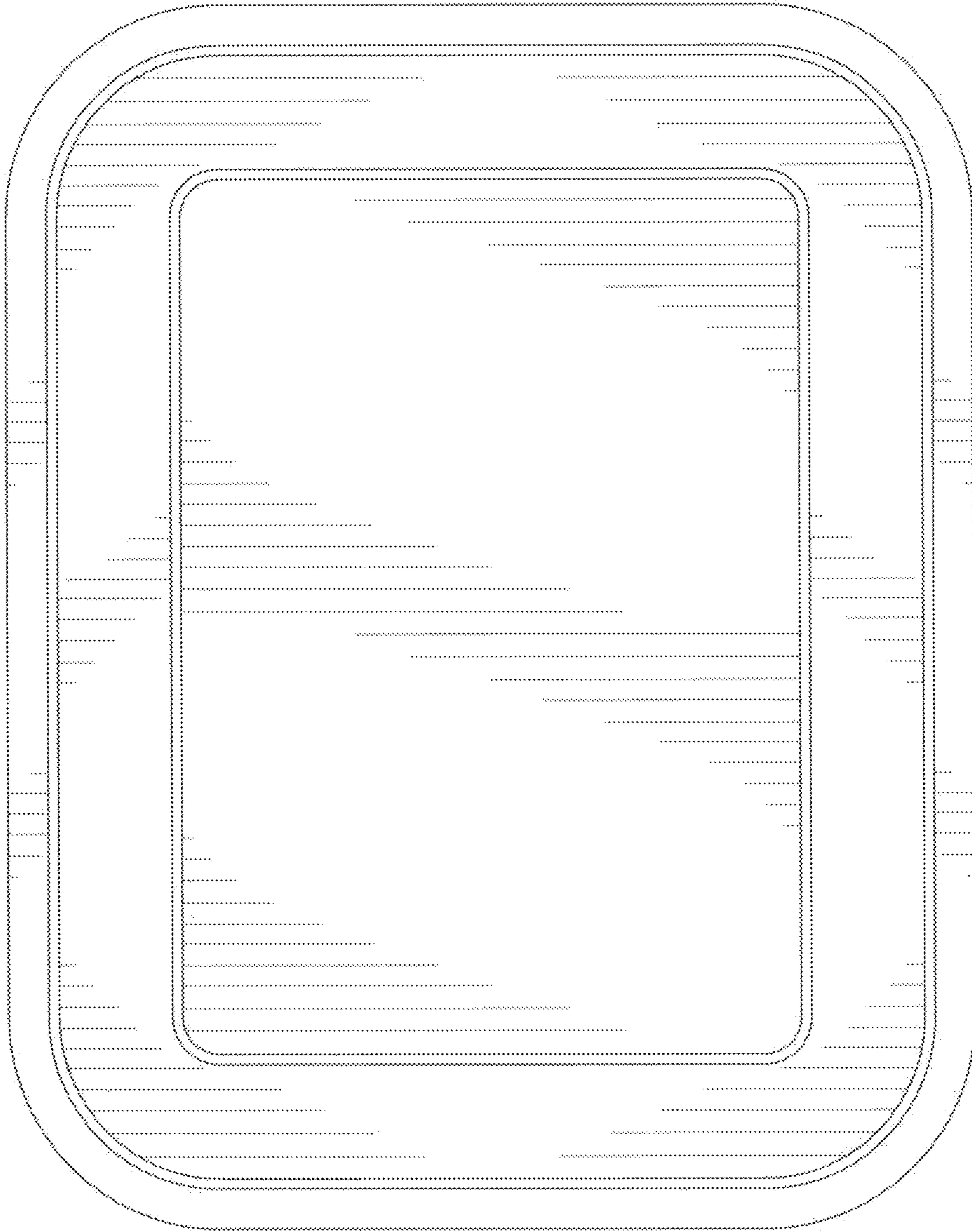


FIG. 3

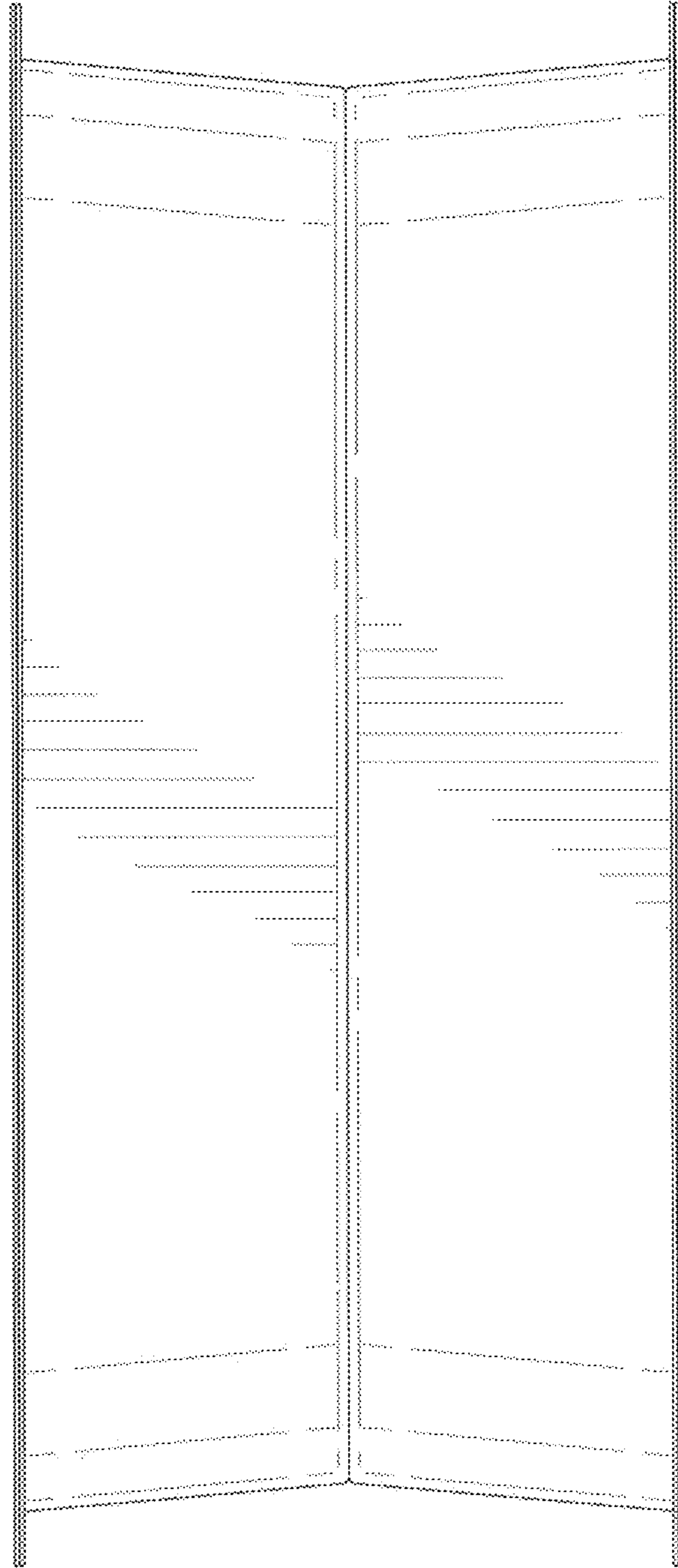


FIG. 4

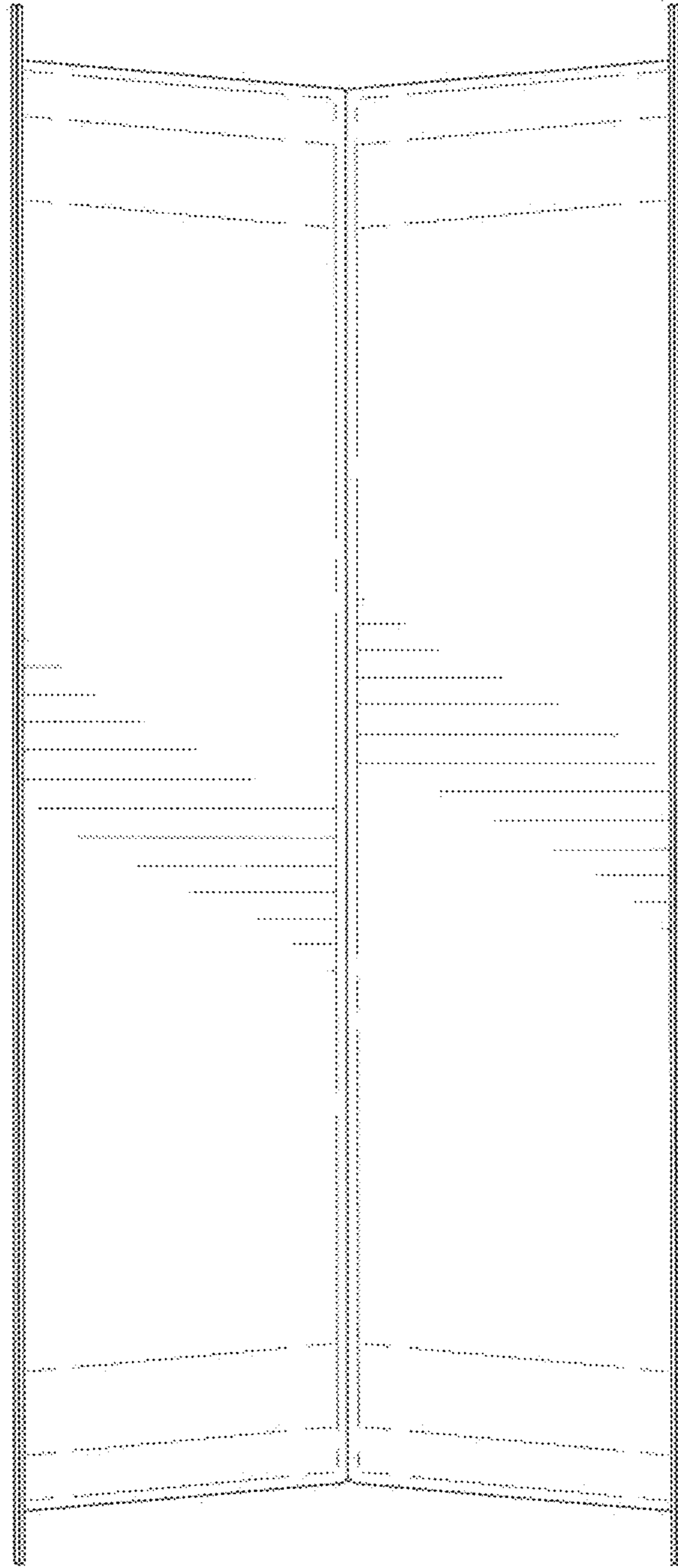


FIG. 5

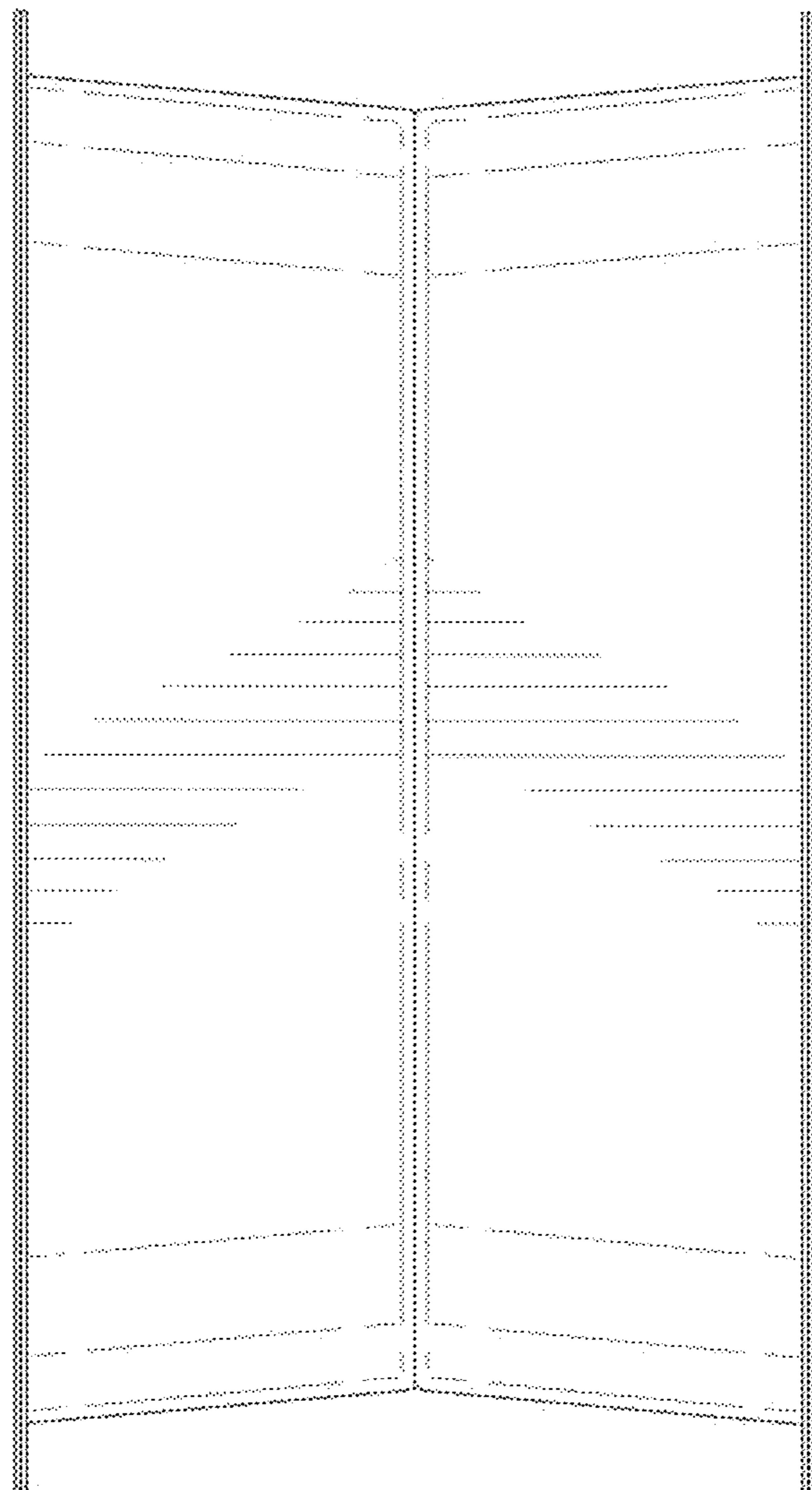


FIG. 6

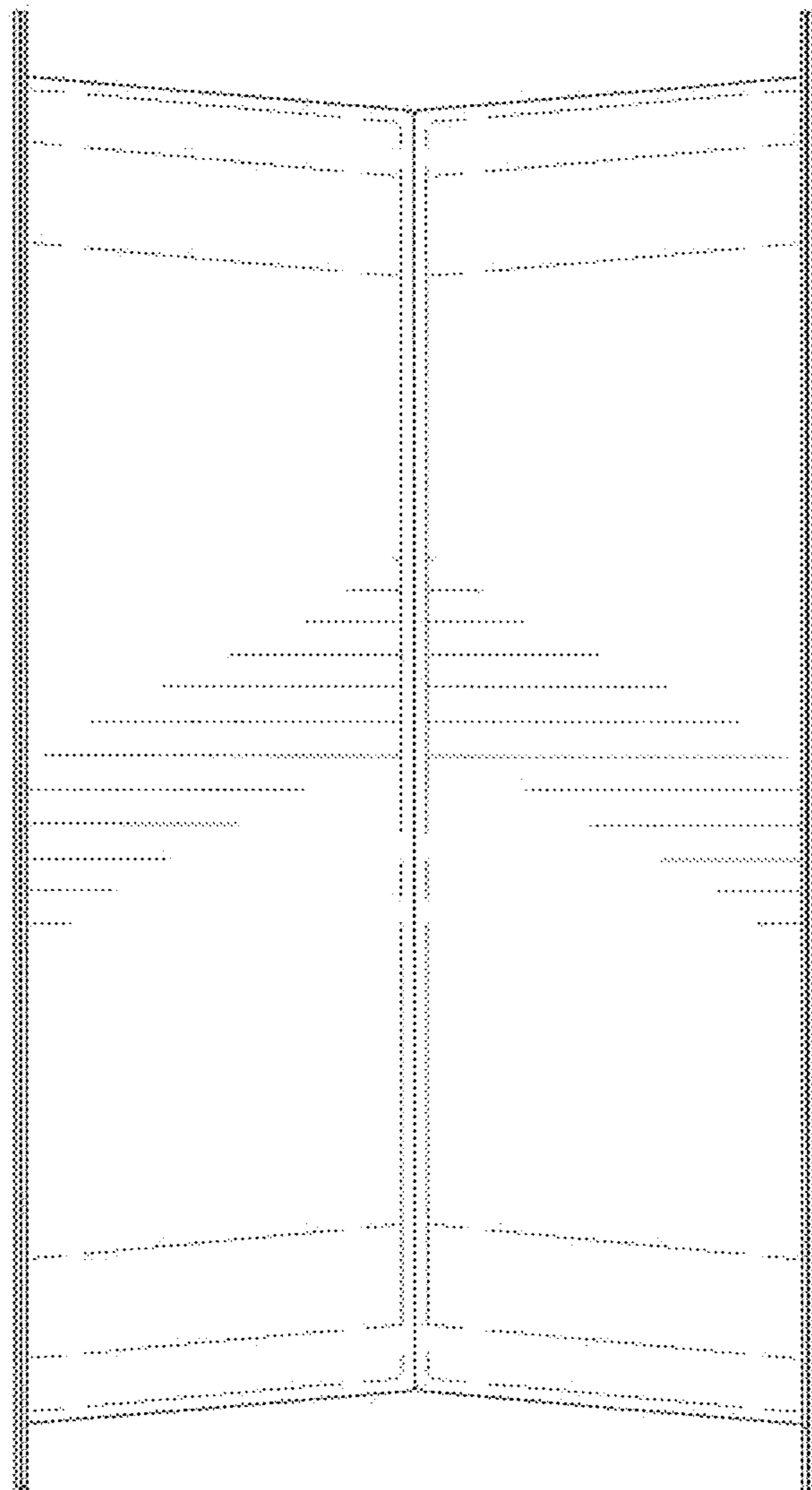


FIG. 7

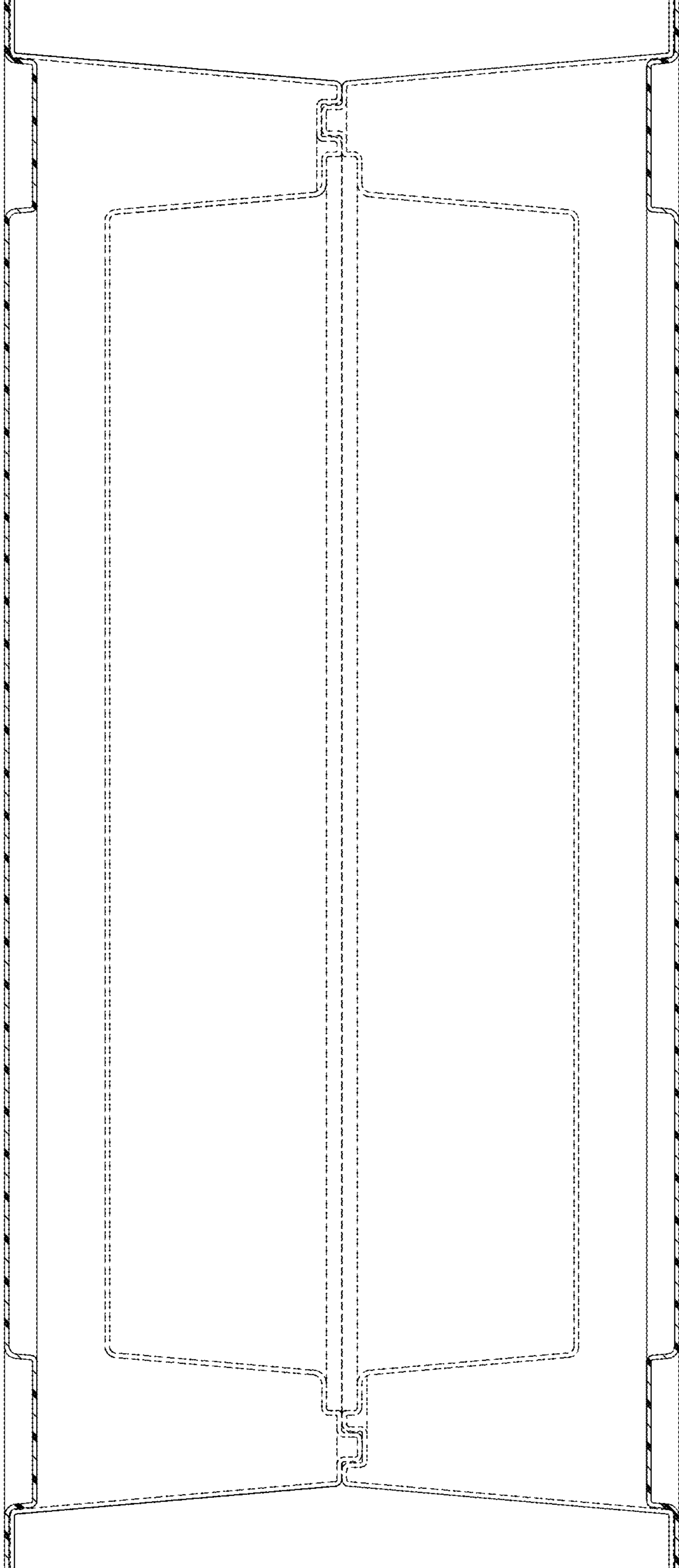


FIG. 8