



US00D943760S

(12) **United States Design Patent** (10) **Patent No.:** **US D943,760 S**
Luther et al. (45) **Date of Patent:** **** Feb. 15, 2022**

(54) **ELECTROPORATION PROCESSING ASSEMBLY**

(71) Applicant: **MaxCyte, Inc.**, Gaithersburg, MD (US)

(72) Inventors: **James William Luther**, Mllan (IT);
Bertold Engler, Altensteig (DE);
Andrea Besana, Seveso (IT); **Thomas Alan Peach**, Milan (IT); **Frank Modica**, Silver Spring, MD (US);
Nicholas Chopas, Germantown, MD (US)

(73) Assignee: **MaxCyte, Inc.**, Gaithersburg, MD (US)

(**) Term: **15 Years**

(21) Appl. No.: **29/734,314**

(22) Filed: **May 11, 2020**

(51) **LOC (13) Cl.** **24-01**

(52) **U.S. Cl.**
USPC **D24/216**

(58) **Field of Classification Search**
USPC D24/107, 186, 209, 210, 216, 217, 219,
D24/224-227, 231, 232, 233, 234;
D10/81
CPC B01L 2200/16; B01L 2200/18; B01L
2300/0809; B01L 3/502; B01L 3/523
See application file for complete search history.

(56) **References Cited**

U.S. PATENT DOCUMENTS

D445,509 S * 7/2001 Berndt D24/231
6,773,669 B1 * 8/2004 Holaday C12M 35/02
422/44
D630,765 S * 1/2011 Winkenbach D24/224
D711,549 S * 8/2014 Trump D24/224
D717,438 S * 11/2014 Lin D24/216

D718,473 S * 11/2014 Benarieh D24/232
D923,200 S * 6/2021 Luther D24/233
D931,493 S * 9/2021 Darbyshire D24/224
2004/0197883 A1 * 10/2004 Dzekunov C12M 35/02
435/173.6
2006/0245970 A1 * 11/2006 Lee B01L 3/523
422/400
2020/0290037 A1 * 9/2020 Salomon G01N 35/0098
2021/0106987 A1 * 4/2021 Lind G01N 35/00
2021/0123009 A1 * 4/2021 Yeo C12M 27/02

OTHER PUBLICATIONS

Maxcyte. Next Gen PAs work with: ExPERT STx and ATx, STX and ATX Instruments. Unknown publishing date. Retrieved on Sep. 23, 2021 from website: <https://maxcyte.com/r-50x3/>.*

* cited by examiner

Primary Examiner — Anhdao Doan

(74) *Attorney, Agent, or Firm* — Finnegan, Henderson, Farabow, Garrett & Dunner, LLP

(57) **CLAIM**

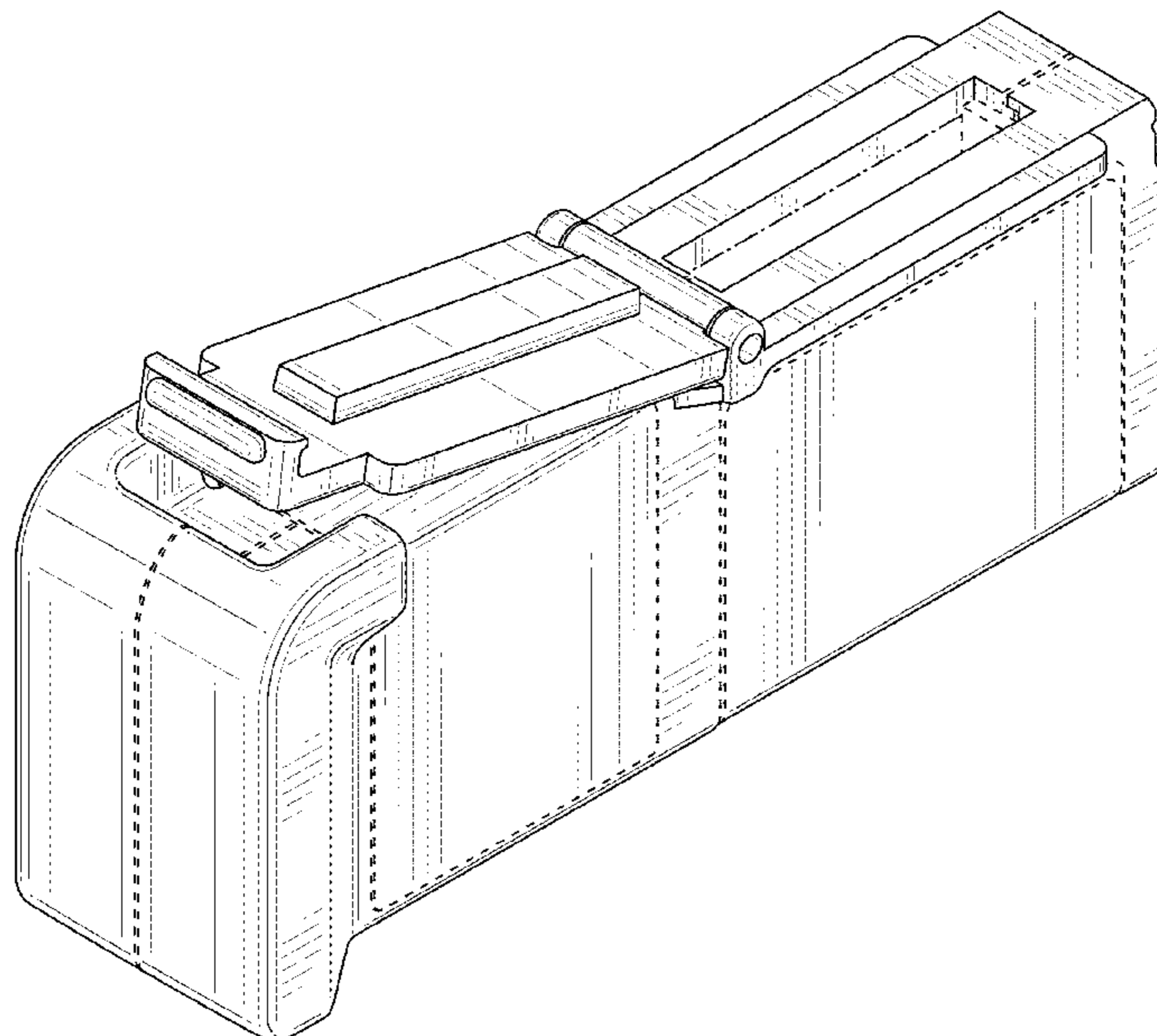
The ornamental design for an electroporation processing assembly, as shown and described.

DESCRIPTION

FIG. 1 is a front, top, right perspective view of an electroporation processing assembly, showing the new design; FIG. 2 is a rear, bottom, left perspective thereof; FIG. 3 is a left view thereof; FIG. 4 is a rear view thereof; FIG. 5 is a front view thereof; FIG. 6 is a top view thereof; and, FIG. 7 is a bottom view thereof.

The broken lines of even length depict portions of the electroporation device that form no part of the claimed design.

1 Claim, 7 Drawing Sheets



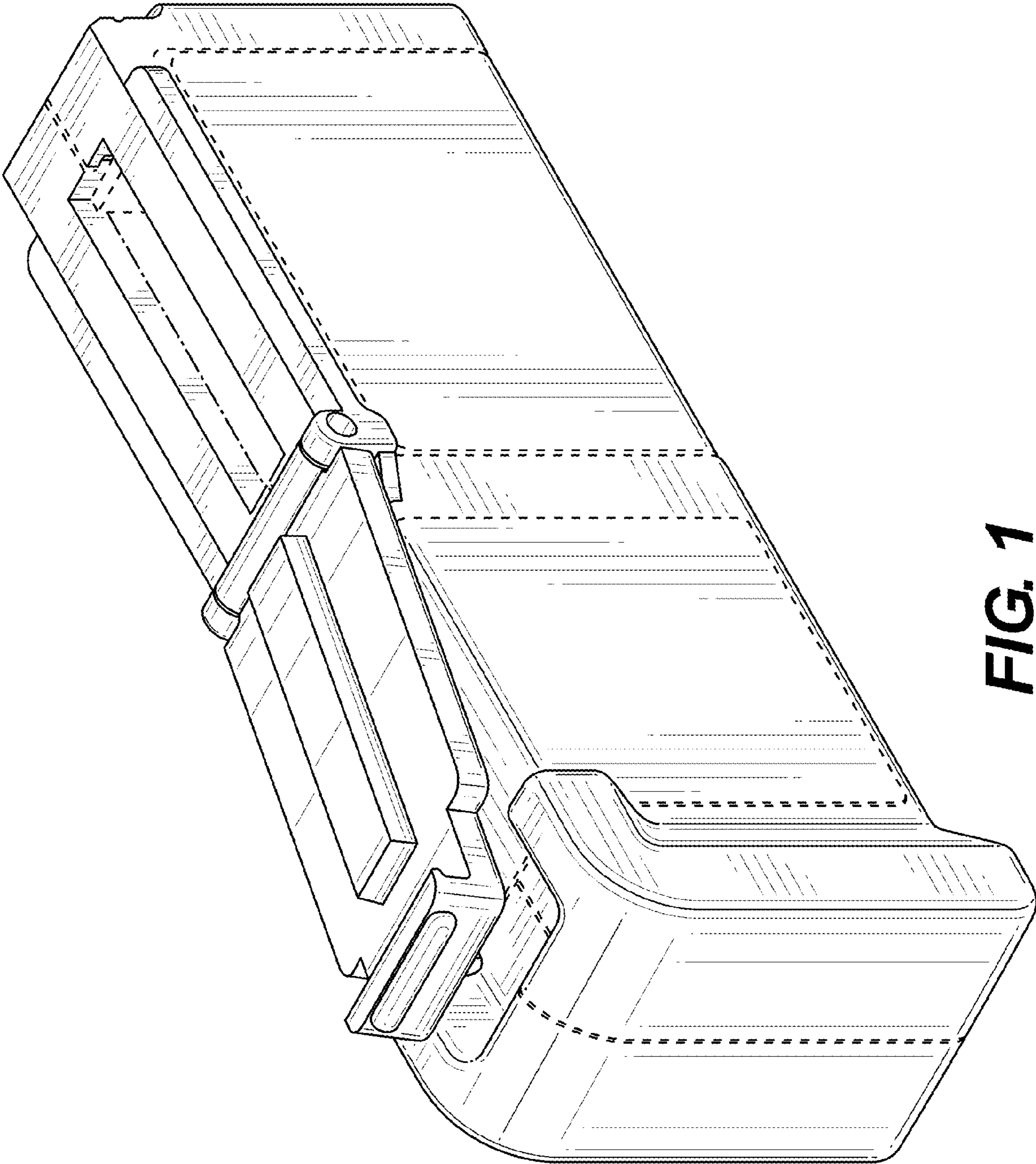


FIG. 1

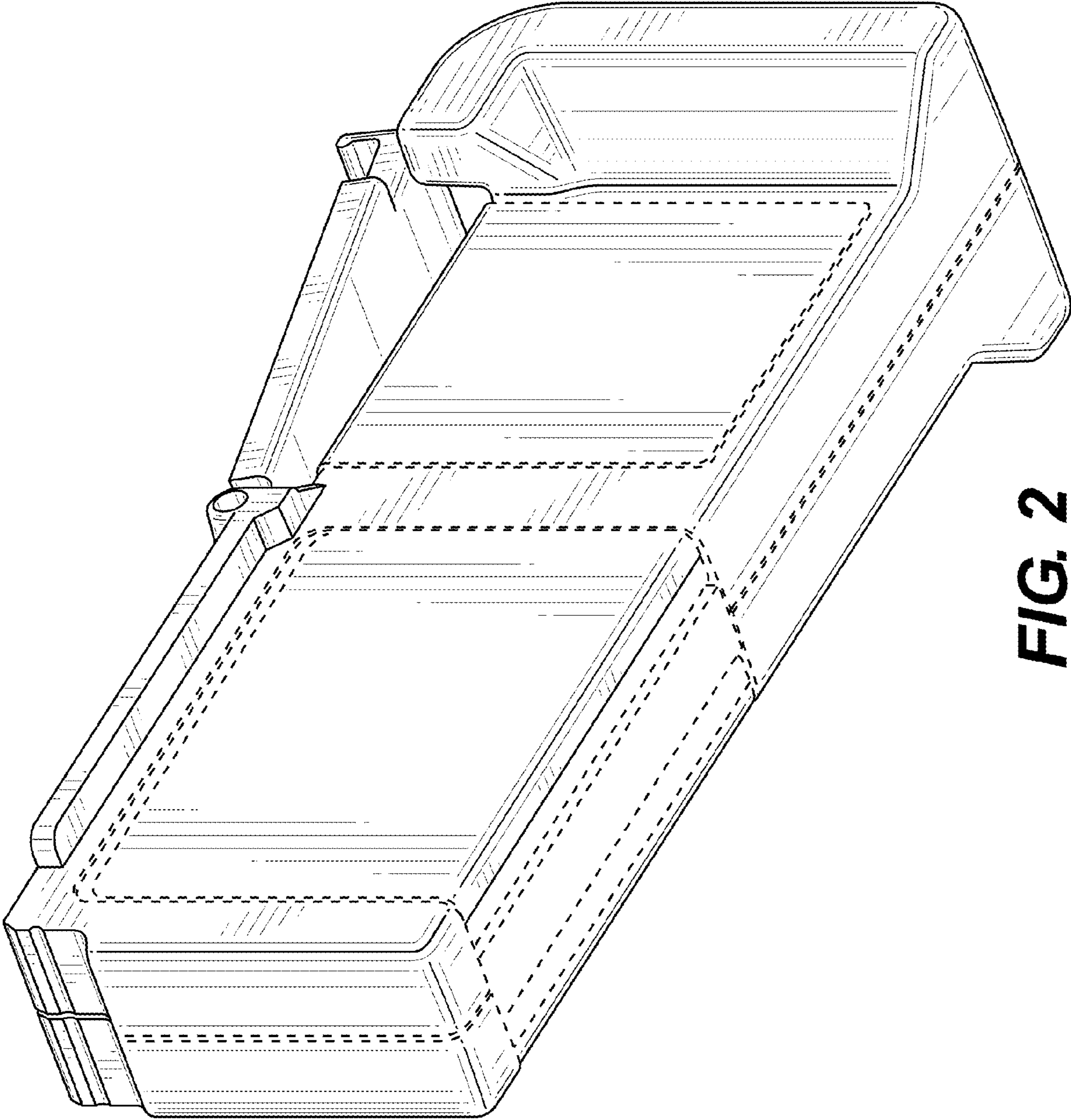


FIG. 2

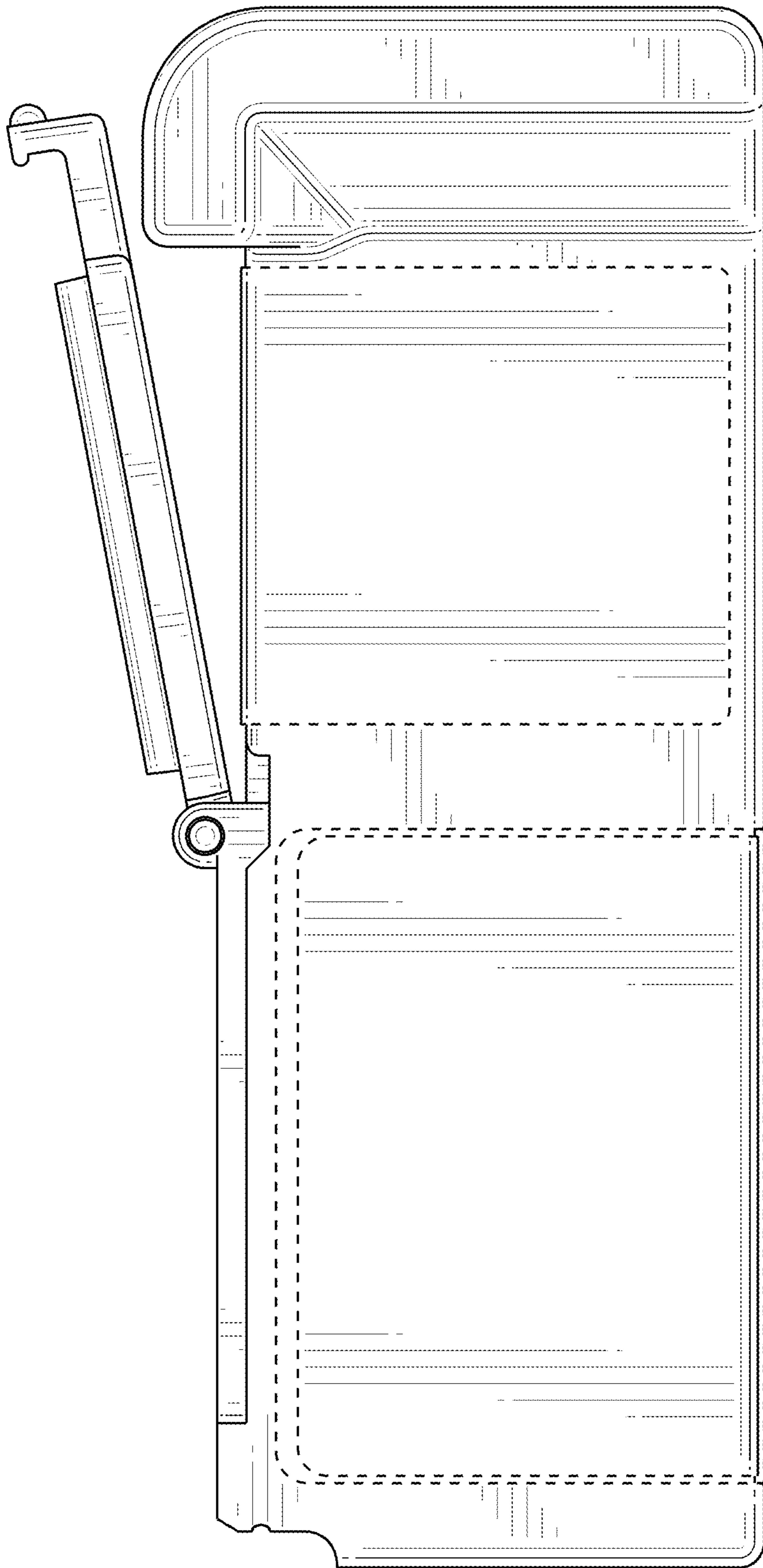


FIG. 3

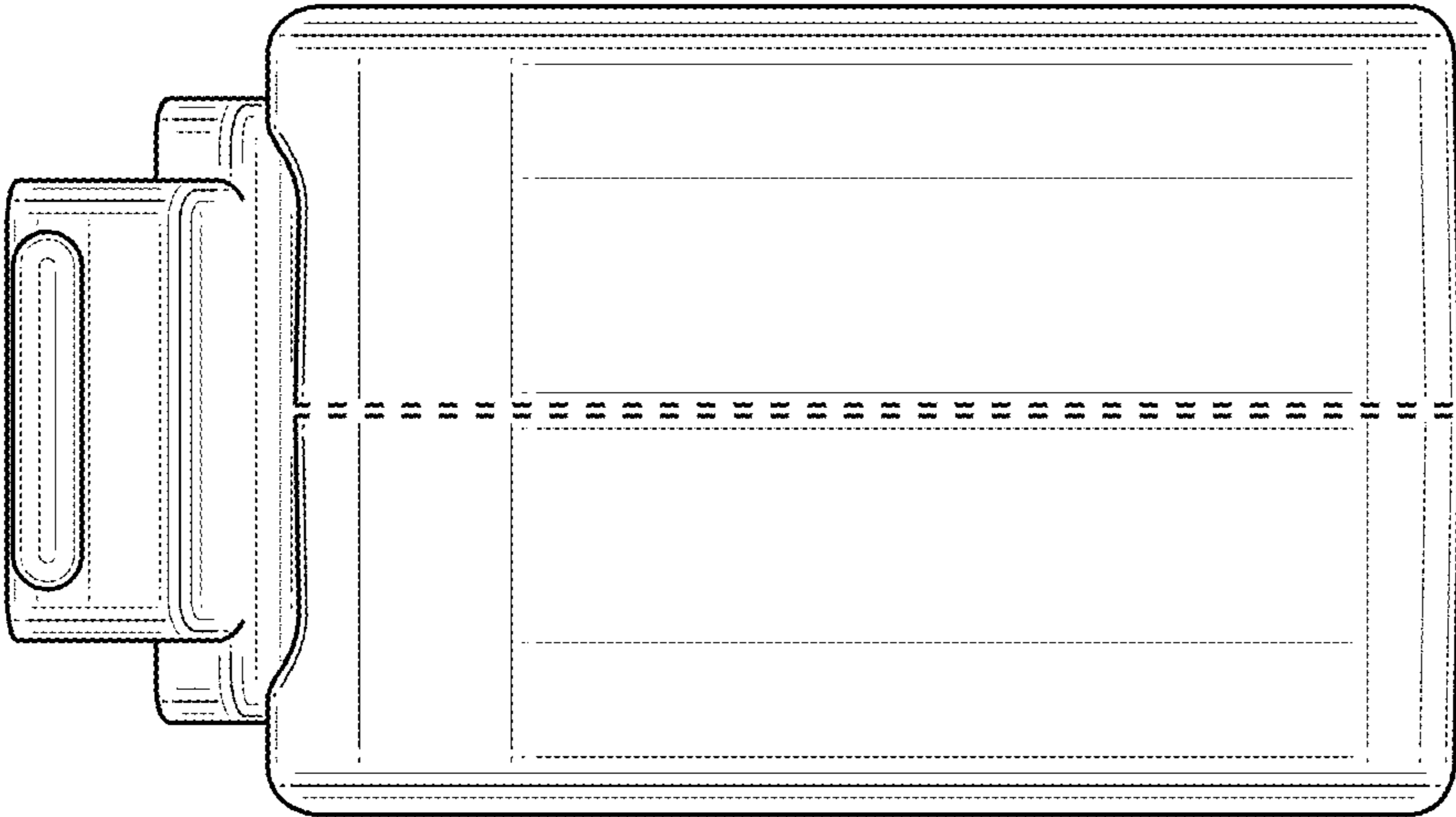


FIG. 4

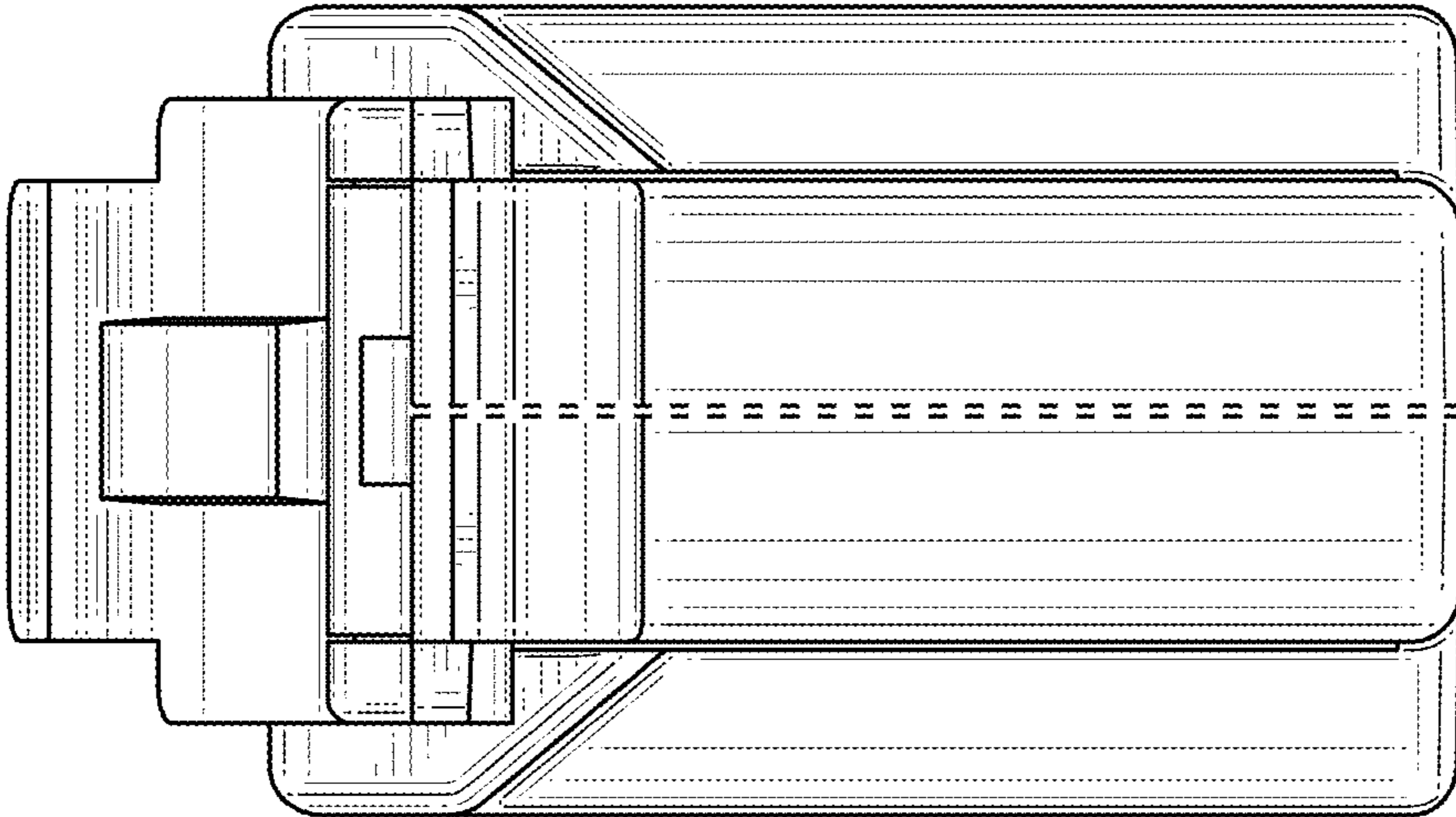


FIG. 5

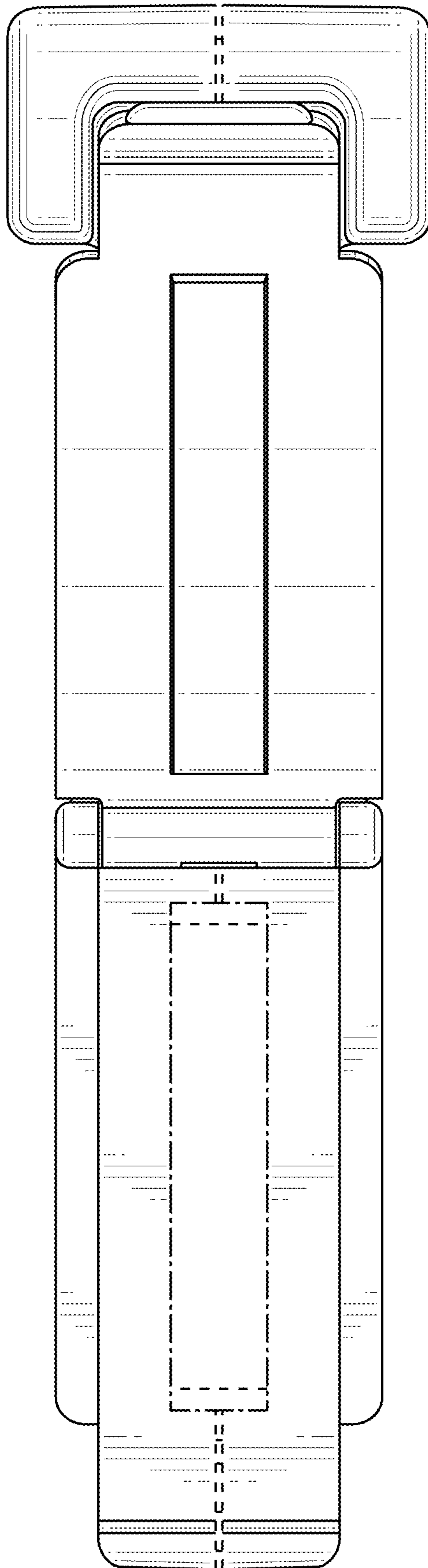


FIG. 6

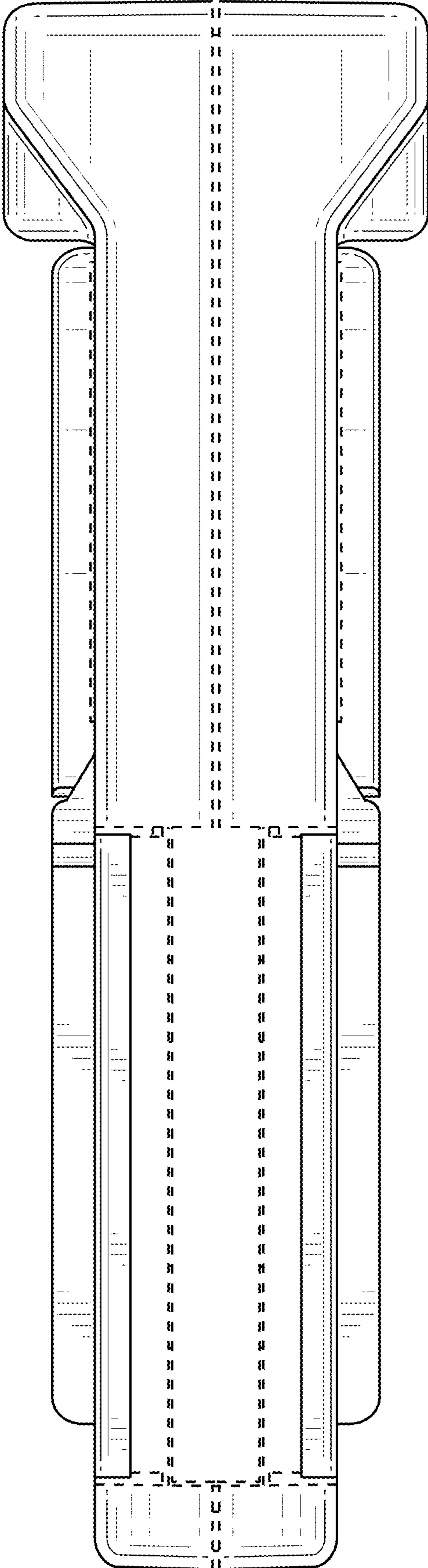


FIG. 7