



US00D943758S

(12) **United States Design Patent**
Zou

(10) **Patent No.:** **US D943,758 S**
(45) **Date of Patent:** **** Feb. 15, 2022**

(54) **FOOT WARMER**

(71) Applicant: **FINE DRAGON TECHNOLOGY LIMITED**, Guangdong (CN)

(72) Inventor: **Zhenren Zou**, Guangdong (CN)

(73) Assignee: **FINE DRAGON TECHNOLOGY LIMITED**, Shenzhen (CN)

(**) Term: **15 Years**

(21) Appl. No.: **29/748,312**

(22) Filed: **Aug. 28, 2020**

(30) **Foreign Application Priority Data**

Jul. 29, 2020 (CN) 202030422293.9

(51) **LOC (13) Cl.** **28-03**

(52) **U.S. Cl.**
USPC **D24/206**

(58) **Field of Classification Search**
USPC D24/206–208, 211–215
CPC .. A61F 7/00; A61F 7/007; A61F 7/034; A61F 7/02; A61F 2007/0001; A61F 2007/0045
See application file for complete search history.

(56) **References Cited**

U.S. PATENT DOCUMENTS

D443,064 S * 5/2001 Persson D24/212
D602,597 S * 10/2009 Nomi D24/206
D690,022 S * 9/2013 Sonoda D24/206

D764,065 S * 8/2016 Schaberreiter D24/206
D794,813 S * 8/2017 Zsolcsak D24/206
D918,356 S * 5/2021 Wang D24/206
2020/0100331 A1 * 3/2020 Penguin A61F 7/02

OTHER PUBLICATIONS

“Cozy Products TT Toasty Toes Ergonomic Heated Foot Warmer, BLACK”, downloaded from https://www.amazon.com/Cozy-Products-TT-Toasty-Ergonomic/dp/B0013V6PDG/ref=asc_df_B0013V6PDG/?tag=hyprod-20&linkCode=df0&hvadid=... on Oct. 21, 2021. Date First Available Oct. 2, 2001.*

* cited by examiner

Primary Examiner — Wan Laymon

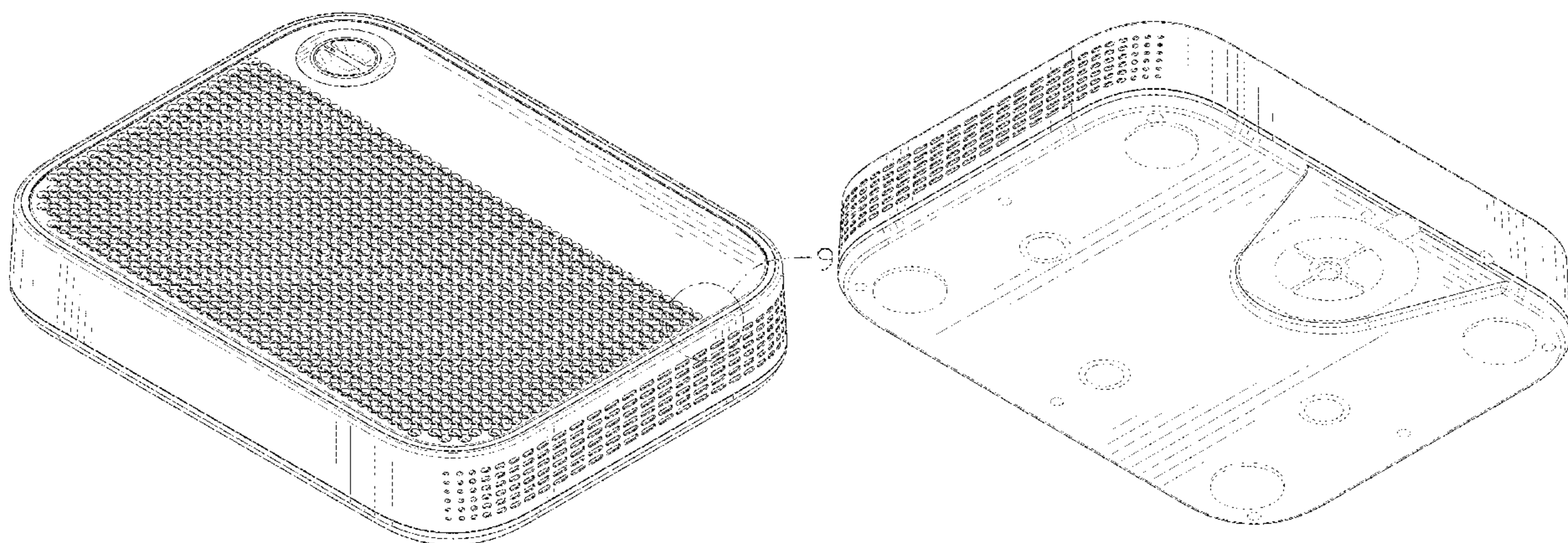
(57) **CLAIM**

The ornamental design for a foot warmer, as shown and described.

DESCRIPTION

FIG. 1 is a top, front and right side perspective view of a foot warmer showing my new design;
FIG. 2 is a bottom, rear and right side perspective view thereof;
FIG. 3 is a front elevational view thereof;
FIG. 4 is a rear elevational view thereof;
FIG. 5 is a left side view thereof;
FIG. 6 is a right side view thereof;
FIG. 7 is a top plan view thereof;
FIG. 8 is a bottom plan view thereof; and,
FIG. 9 is an enlarged view of portion 9 in FIG. 1.
The broken lines in the drawings illustrate portions of the foot warmer which form no part of the claimed design.

1 Claim, 9 Drawing Sheets



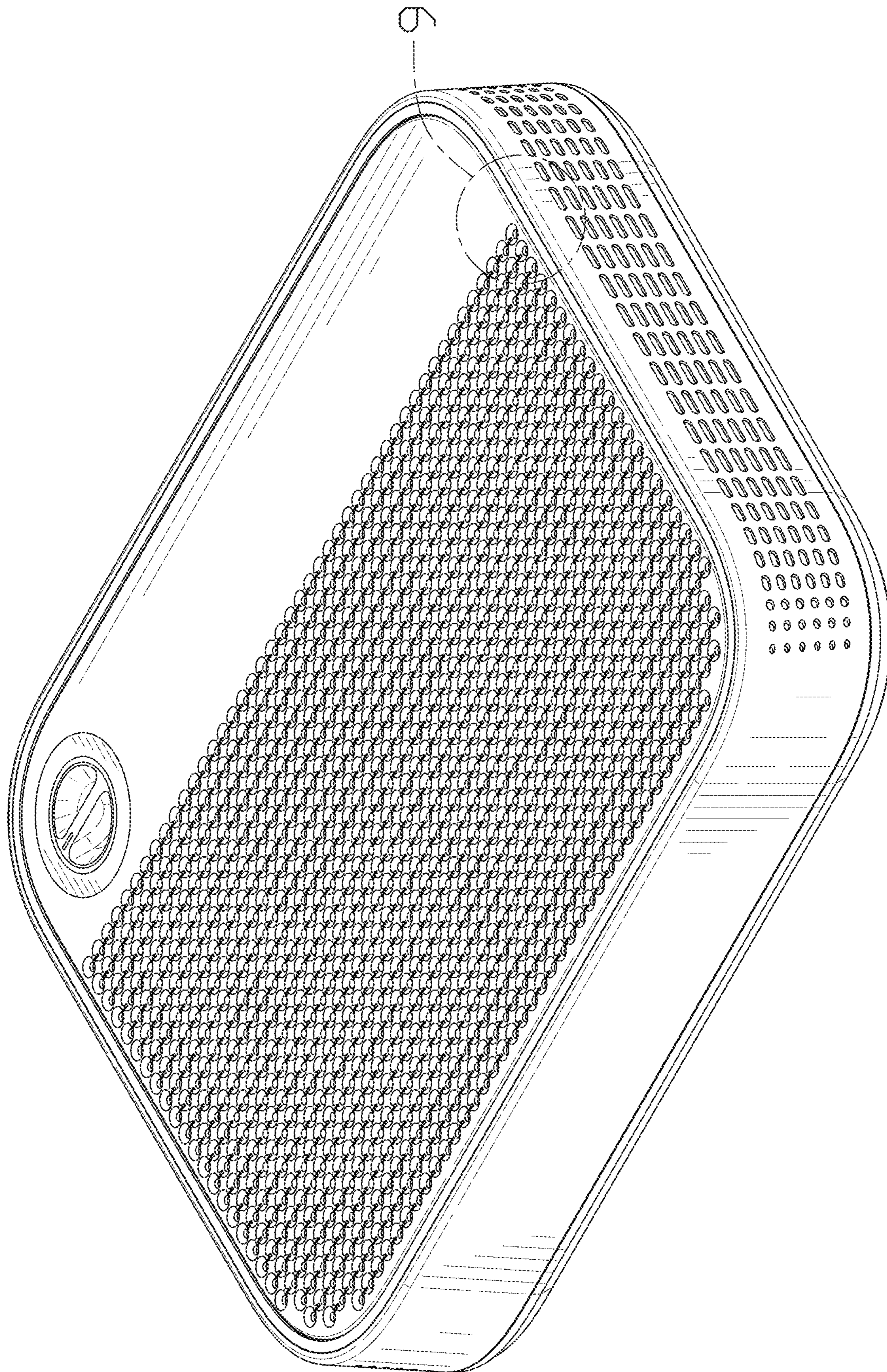


FIG. 1

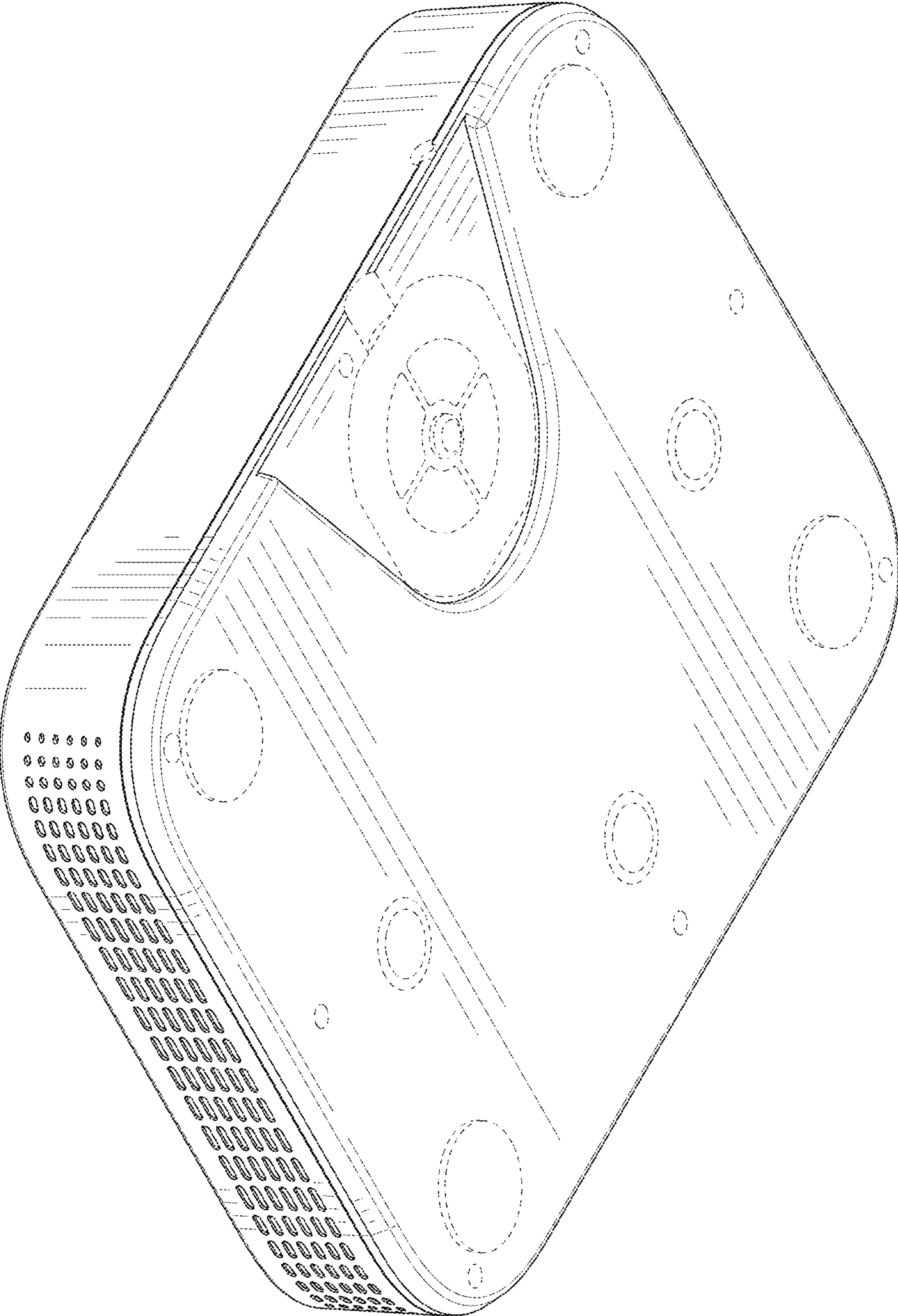


FIG. 2

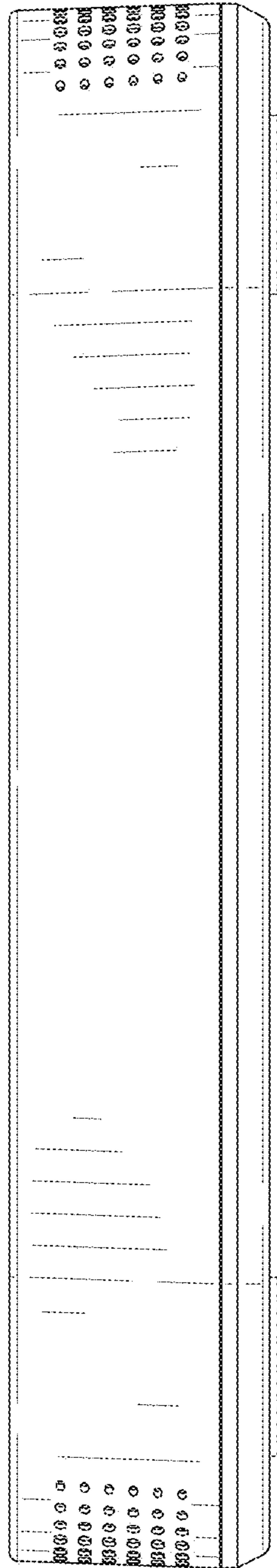


FIG. 3

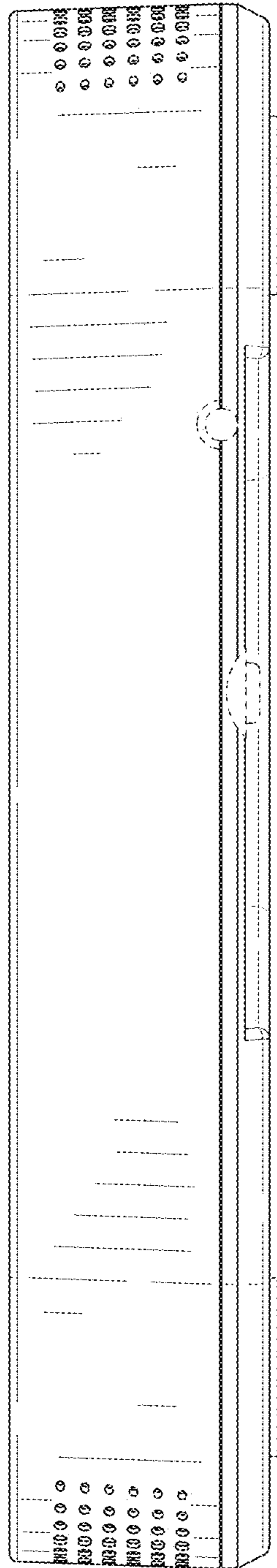


FIG. 4

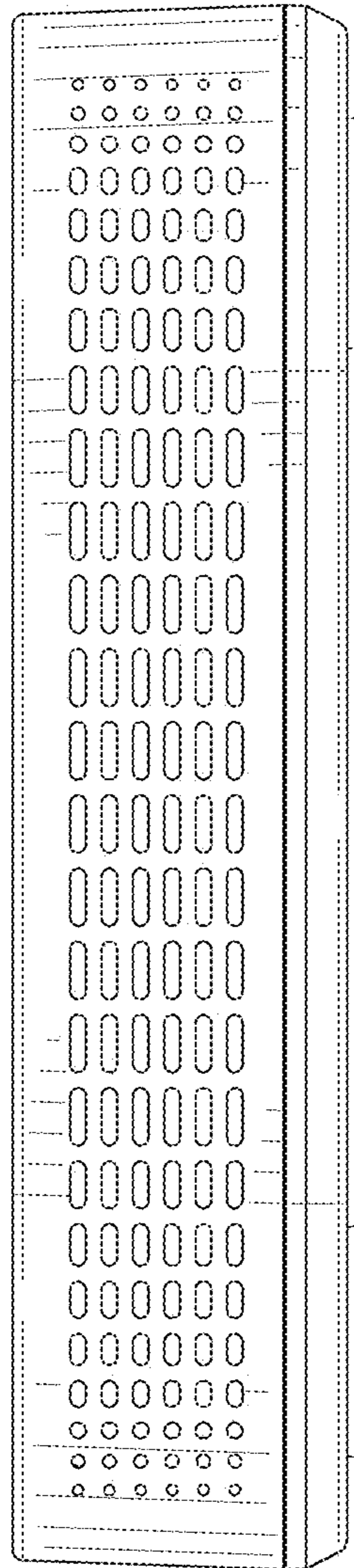


FIG. 5

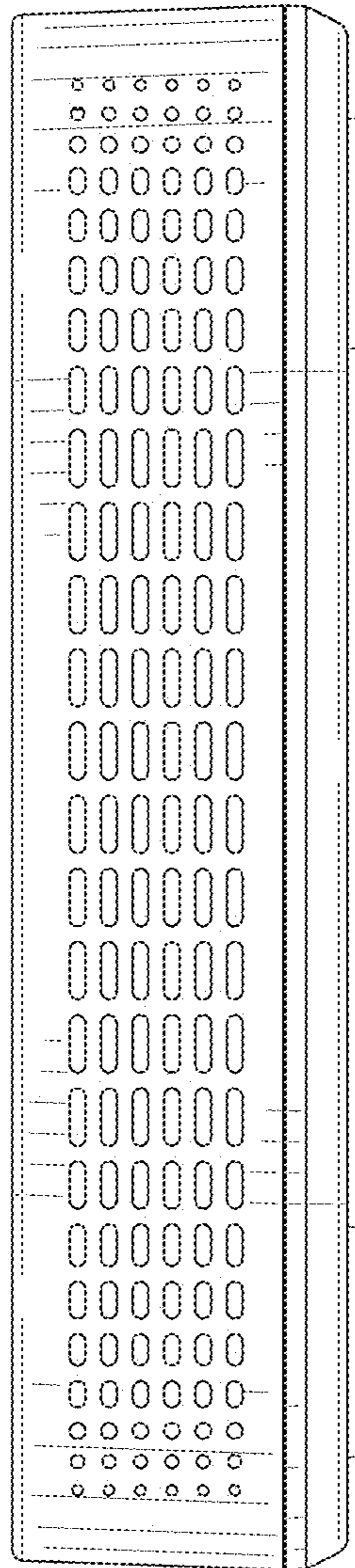


FIG. 6

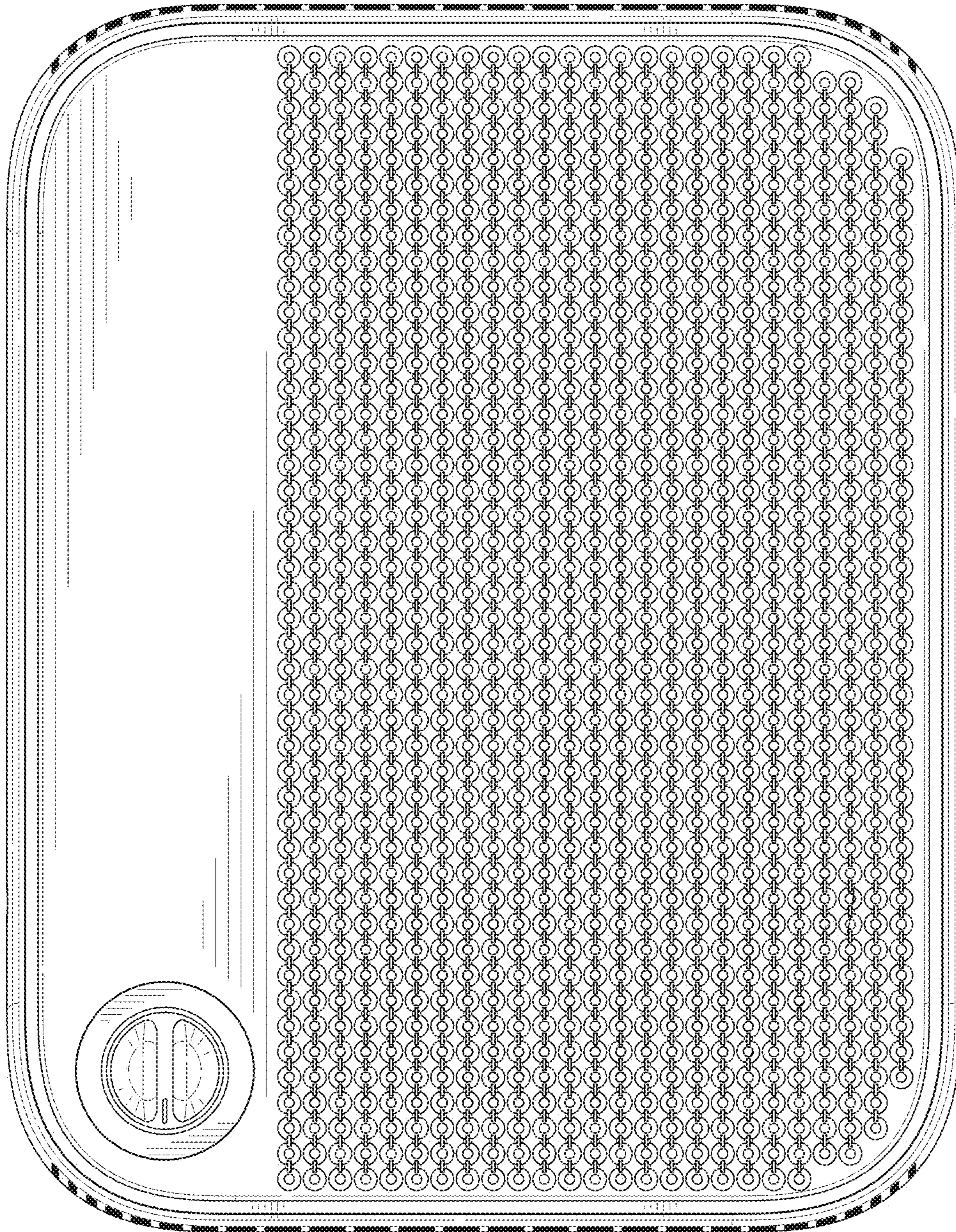


FIG. 7

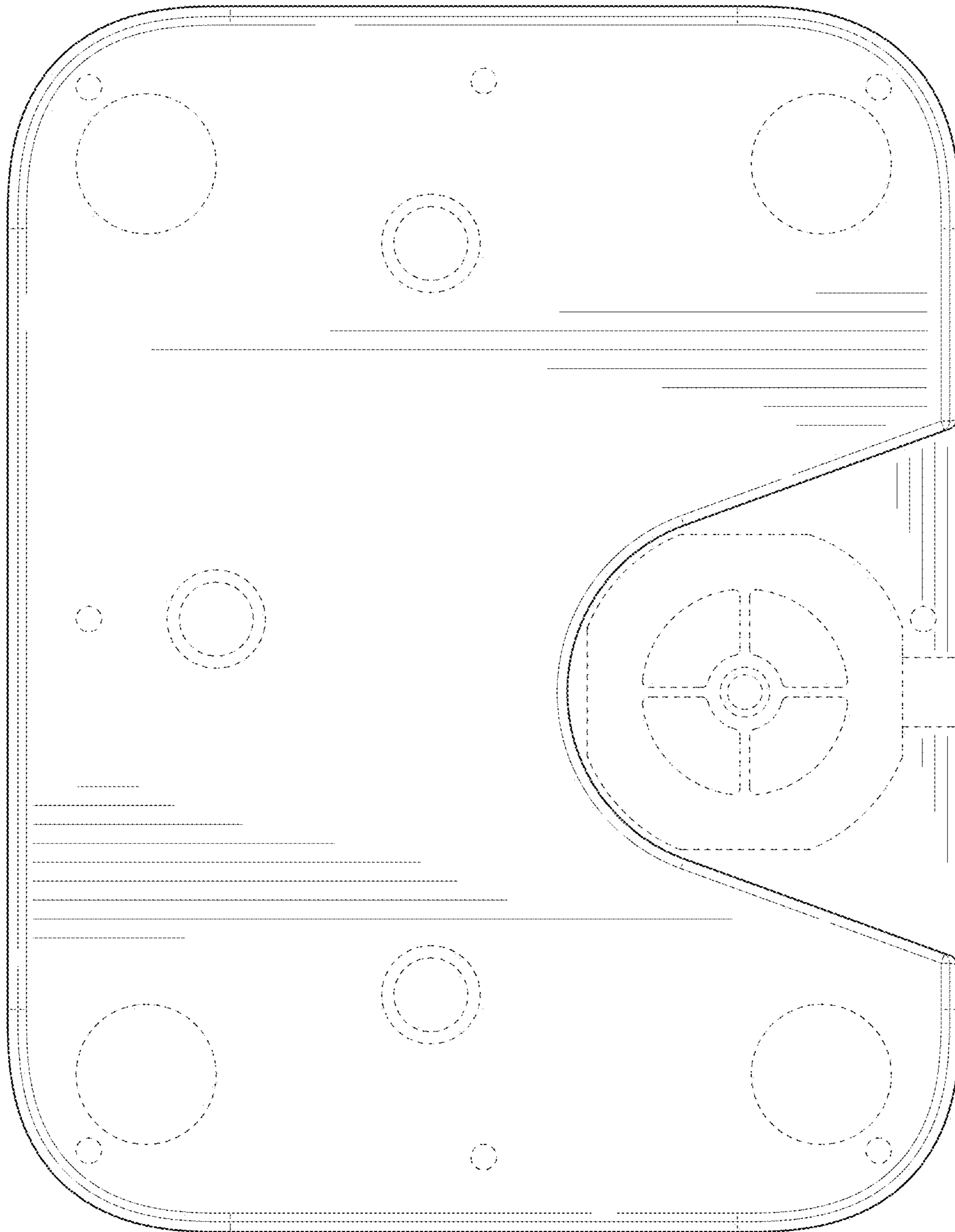


FIG. 8

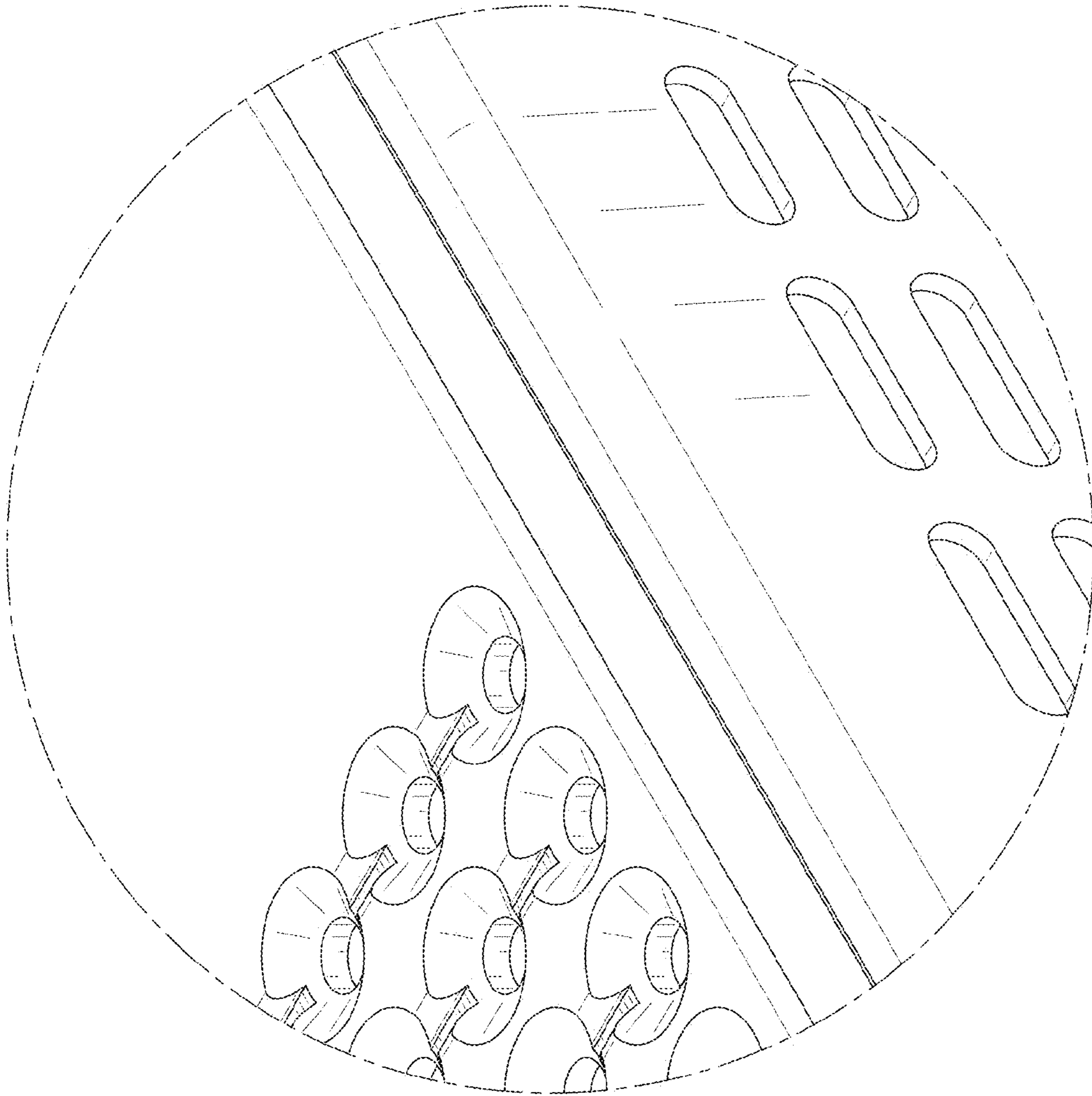


FIG. 9