



US00D943757S

(12) **United States Design Patent** (10) **Patent No.:** **US D943,757 S**  
**Timm** (45) **Date of Patent:** **\*\* Feb. 15, 2022**

(54) **DEVICE FOR SUNBATHING**  
(71) Applicant: **Brian Timm**, Merrimack, NH (US)  
(72) Inventor: **Brian Timm**, Merrimack, NH (US)  
(\*\*) Term: **15 Years**  
(21) Appl. No.: **29/739,314**  
(22) Filed: **Jun. 24, 2020**  
(51) **LOC (13) Cl.** ..... **23-02**  
(52) **U.S. Cl.**  
USPC ..... **D24/204; D24/209**  
(58) **Field of Classification Search**  
USPC ..... **D24/201–205, 213, 209, 210;**  
**D23/276–278, 280.1–280.3; D25/2;**  
**D6/390**  
CPC ..... **A61H 33/6005; A61H 33/6021; A61H**  
**33/6089; A61H 33/6094; A61H 2035/004;**  
**A61H 35/006; A47K 3/022; A47K 3/062;**  
**Y10S 5/90; Y10S 5/938; A61N 5/06;**  
**A61N 5/0614; A61N 2005/0665; A61N**  
**2005/0637; A61N 2005/0638**  
See application file for complete search history.

5,085,212 A 2/1992 DeCosta  
D382,725 S \* 8/1997 Hahn ..... D23/278  
D385,359 S \* 10/1997 Kelley ..... D24/204  
5,879,377 A \* 3/1999 Mullins ..... A61N 5/0614  
607/95  
6,939,366 B2 \* 9/2005 Brown, Jr. .... A61H 33/06  
607/107  
7,135,035 B1 11/2006 Dimmick  
8,365,752 B1 2/2013 Fortin  
D703,340 S \* 4/2014 Soltesz-Nagy ..... D24/209  
(Continued)

(56) **References Cited**  
U.S. PATENT DOCUMENTS  
558,394 A 4/1896 Kellogg  
2,655,155 A 10/1953 Achner  
3,023,753 A 3/1962 Wheless  
3,050,067 A 8/1962 Trafton  
3,170,172 A \* 2/1965 Kessman ..... A61N 5/06  
5/711  
3,610,249 A 10/1971 Baker  
4,205,684 A 6/1980 Lassy  
4,320,744 A 3/1982 Fodor  
D266,788 S \* 11/1982 DuBois ..... 607/95  
4,508,120 A \* 4/1985 Hammond ..... A61N 5/06  
16/357  
4,734,944 A \* 4/1988 O'Brien ..... A47K 3/022  
4/573.1

**OTHER PUBLICATIONS**

Archive-gallery-weirdest-ways-get-tan. DIY Structure for Sunbathing: Feb. 1970. Retrieved from internet on Dec. 2, 2021 at: <https://www.popsci.com/diy/article/2011-08/archive-gallery-weirdest-ways-get-tan/>.\*

*Primary Examiner* — Anhdao Doan  
(74) *Attorney, Agent, or Firm* — Larson & Larson, P.A.; Frank Liebenow; Justin P. Miller

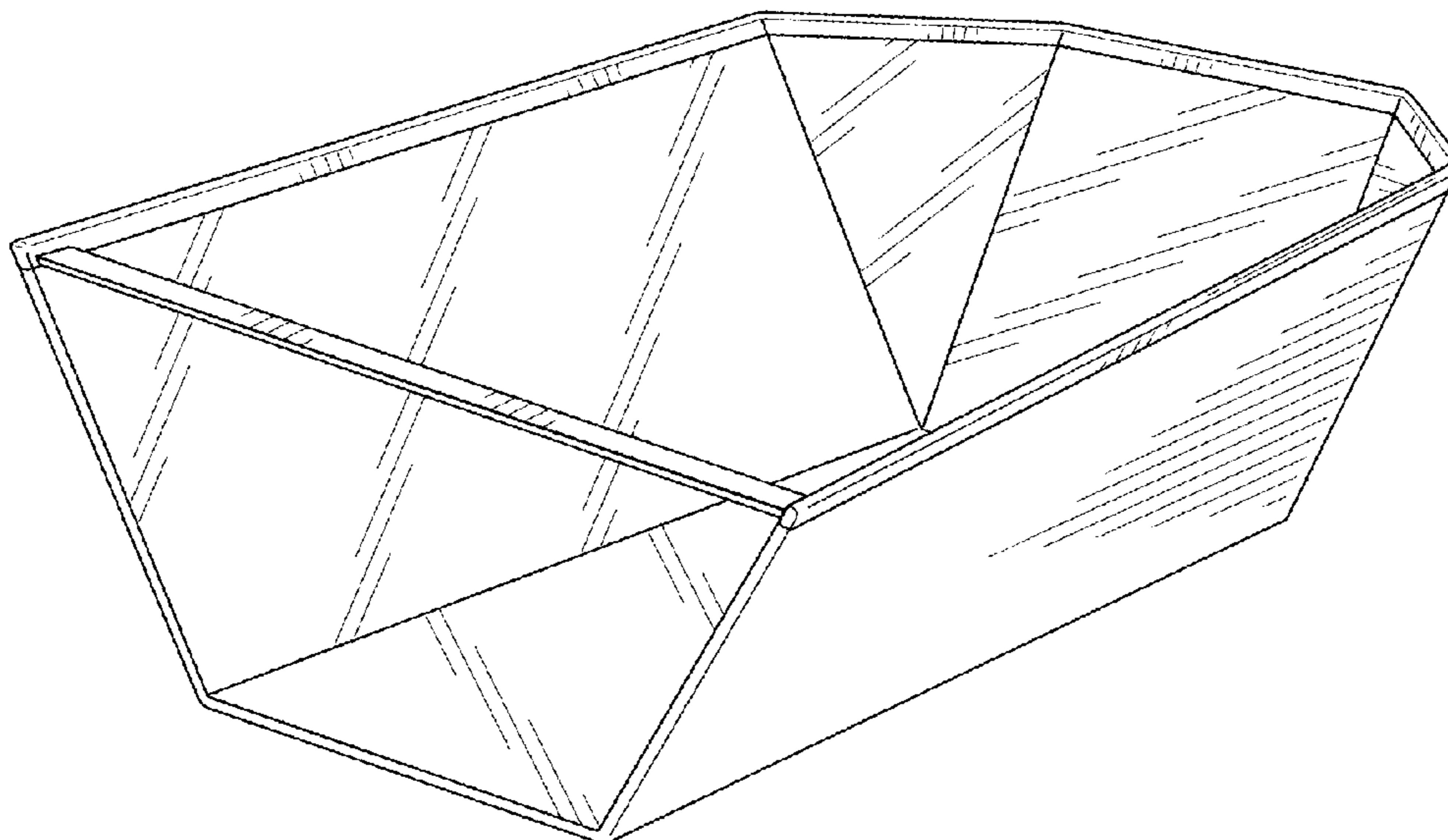
(57) **CLAIM**

The ornamental design for a device for sunbathing, as shown and described.

**DESCRIPTION**

FIG. 1 is a perspective view of a device for sunbathing showing my new design;  
FIG. 2 is a left side elevation view thereof;  
FIG. 3 is a perspective view thereof;  
FIG. 4 is a left side elevation view thereof;  
FIG. 5 is a right side elevation view thereof;  
FIG. 6 is a front elevation view thereof;  
FIG. 7 is a rear elevation view thereof;  
FIG. 8 is a top plan view thereof; and,  
FIG. 9 is a bottom plan view thereof.  
The broken lines in FIGS. 1 and 2 represent environmental subject matter and form no part of the claimed design.

**1 Claim, 4 Drawing Sheets**



(56)

**References Cited**

U.S. PATENT DOCUMENTS

D713,539 S \* 9/2014 Soltész-Nagy ..... D24/210  
D797,263 S \* 9/2017 Fischlin ..... D23/280.1  
10,138,651 B1 11/2018 Riesner  
D933,792 S \* 10/2021 Richter ..... D23/280.1

\* cited by examiner

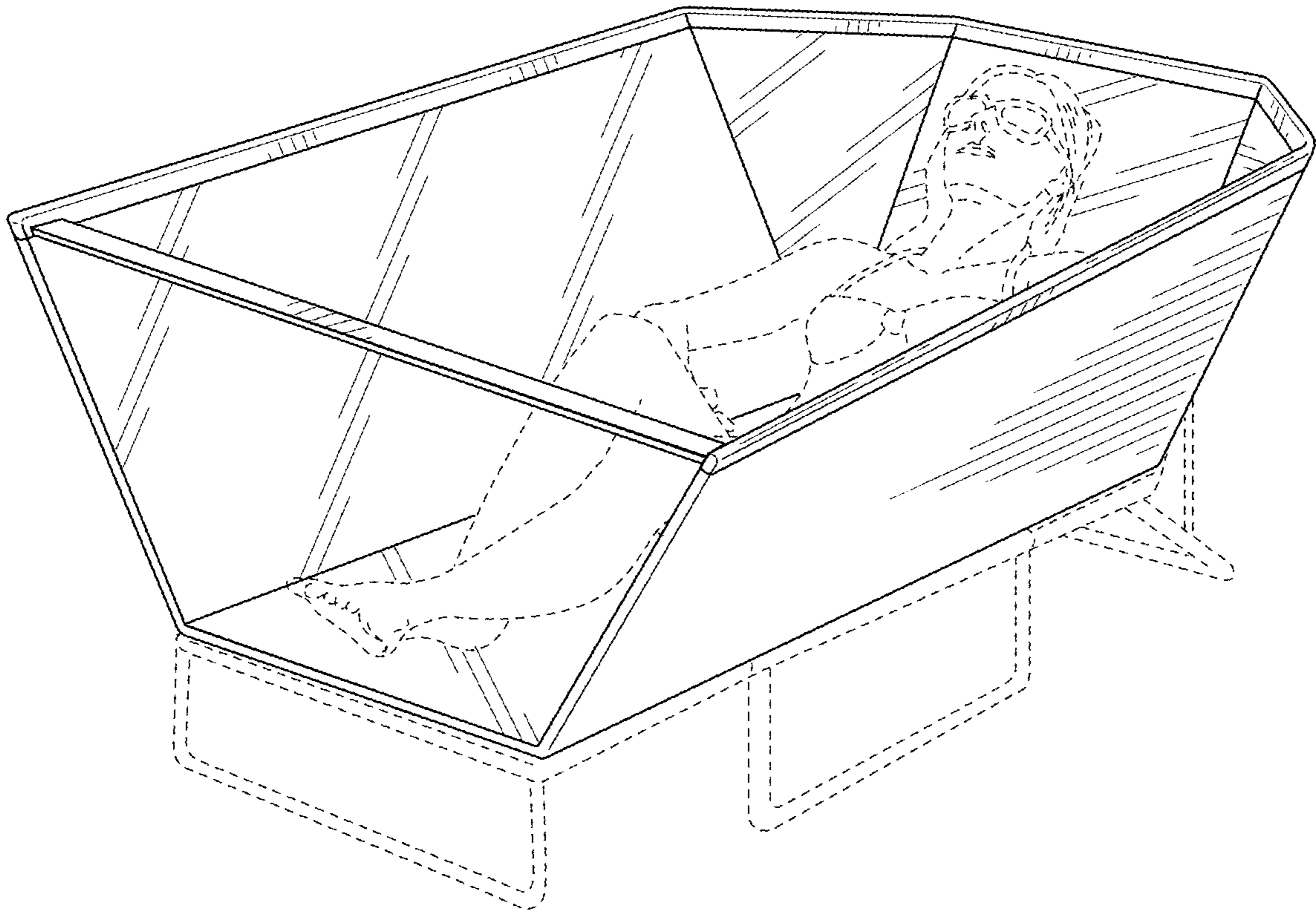


FIG. 1

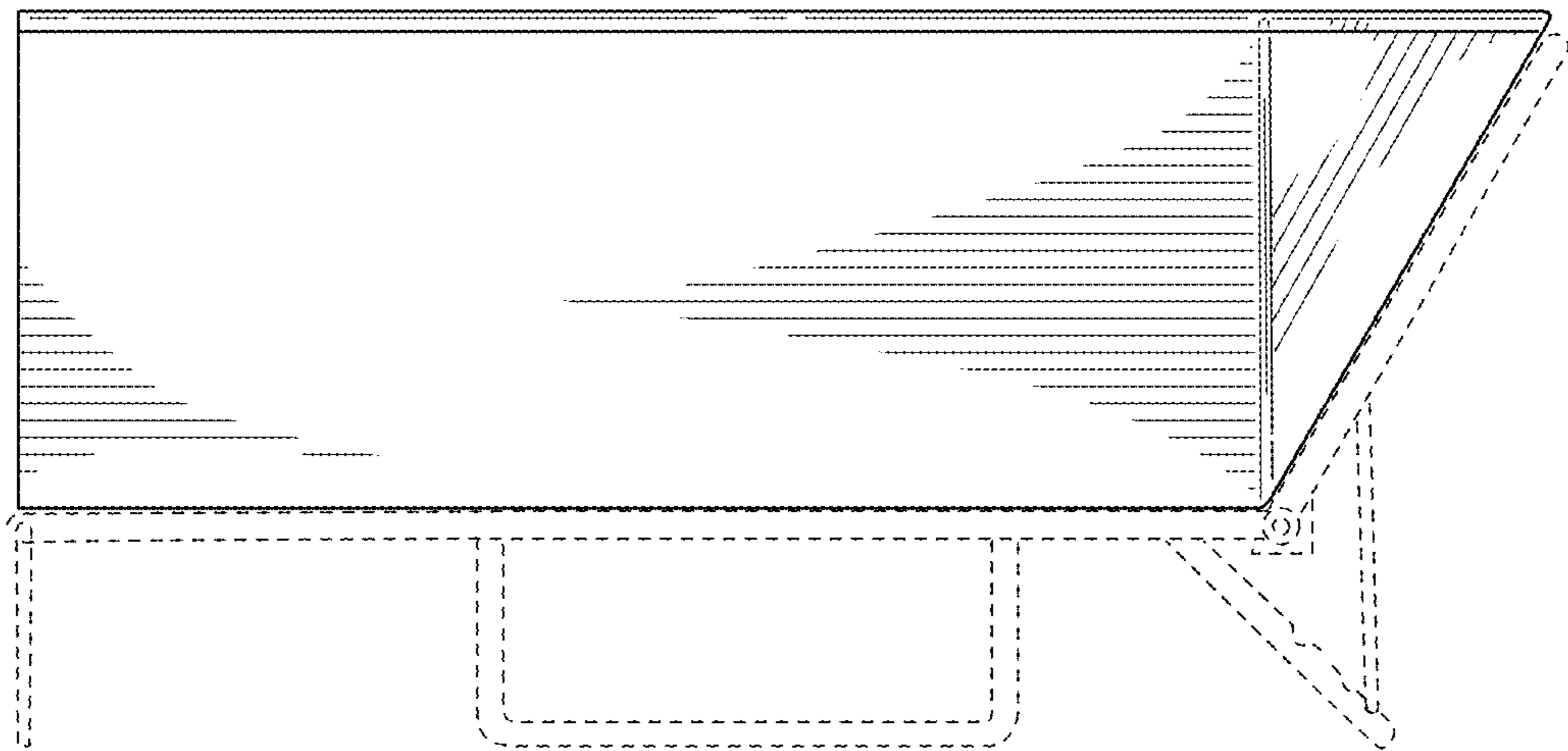


FIG. 2

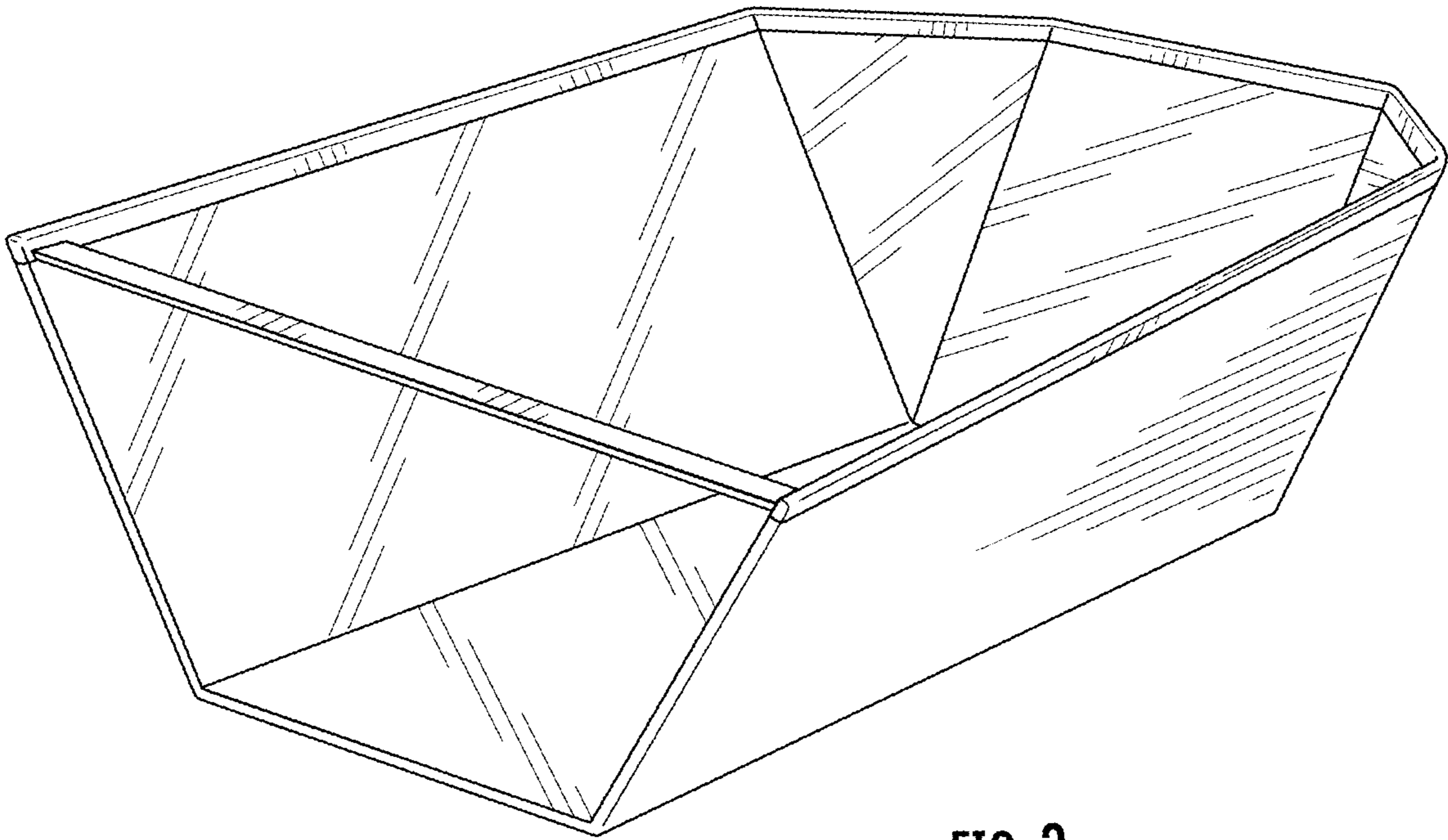


FIG. 3

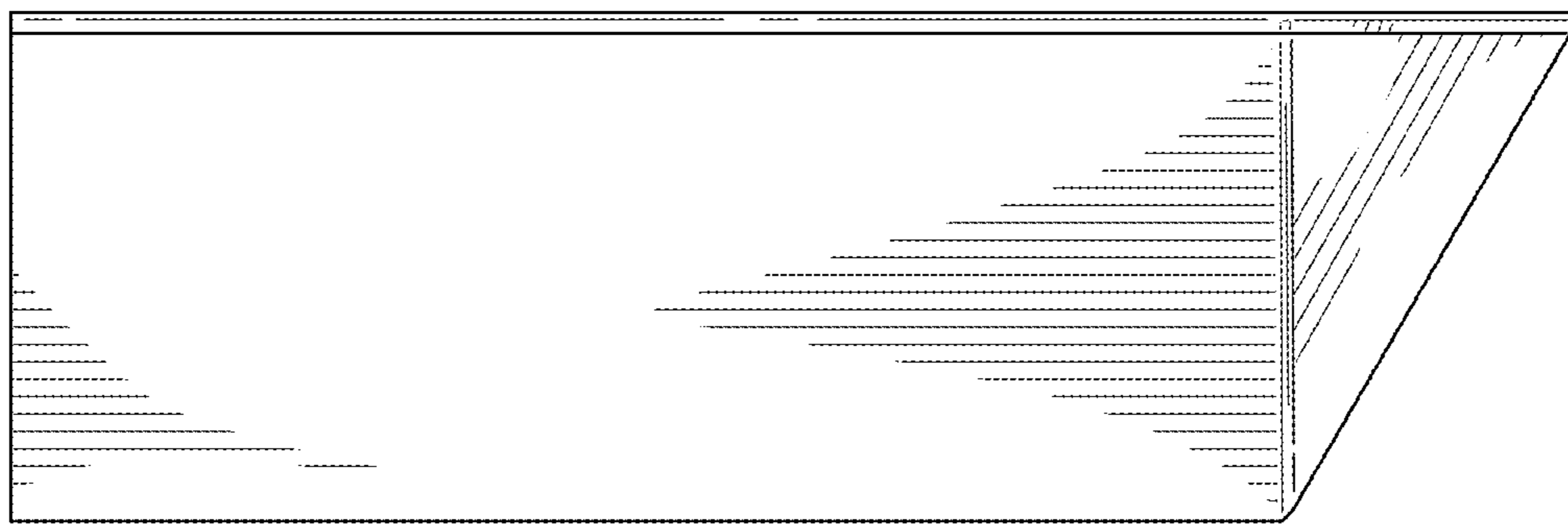


FIG. 4

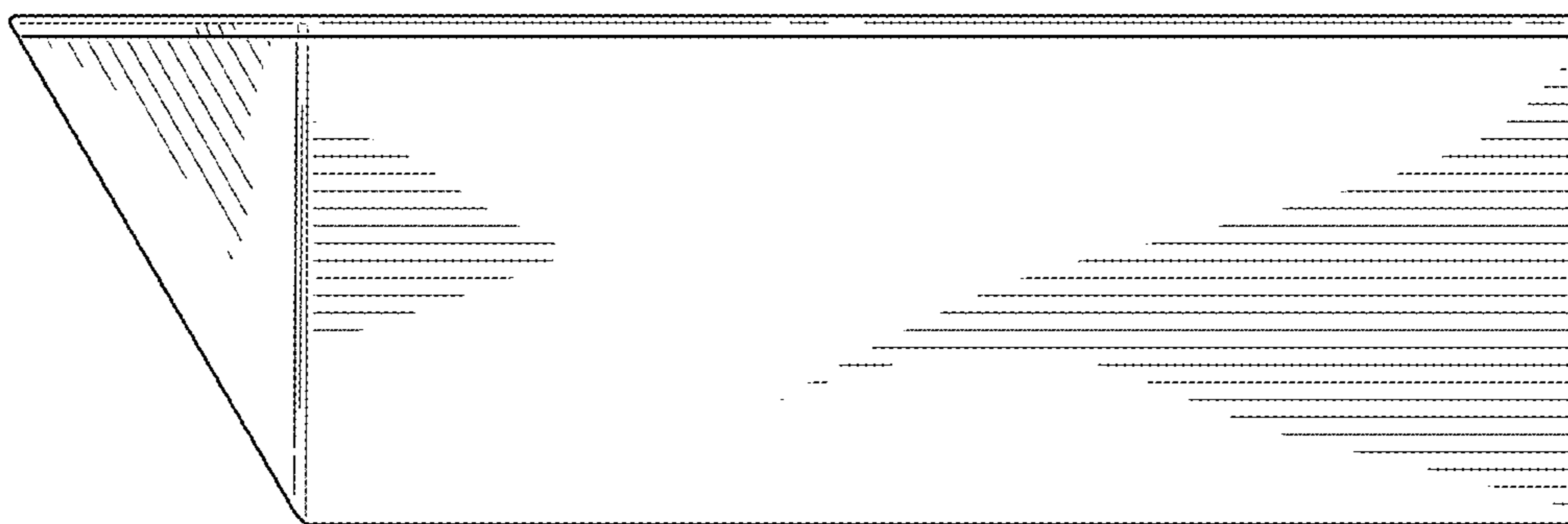


FIG. 5

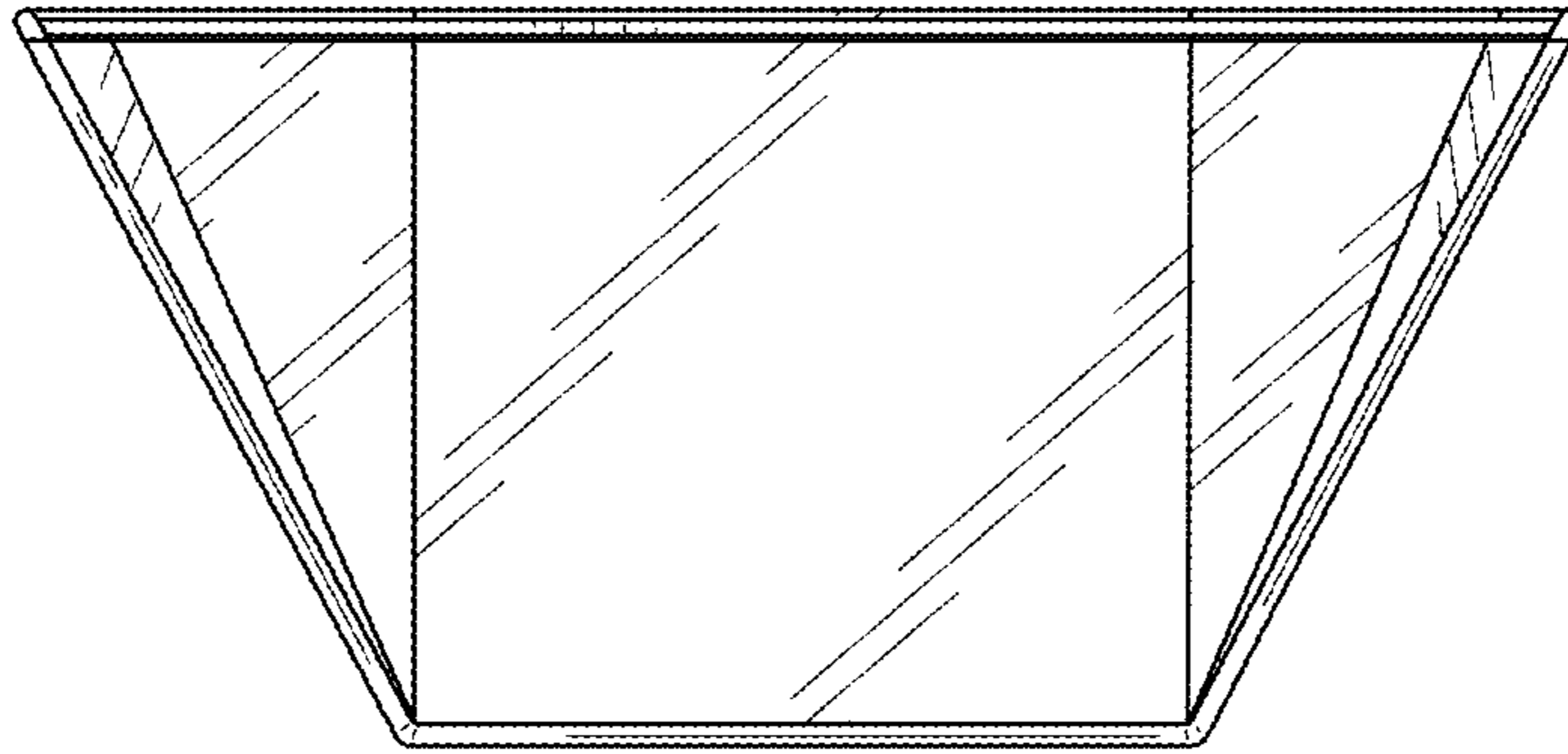


FIG. 6

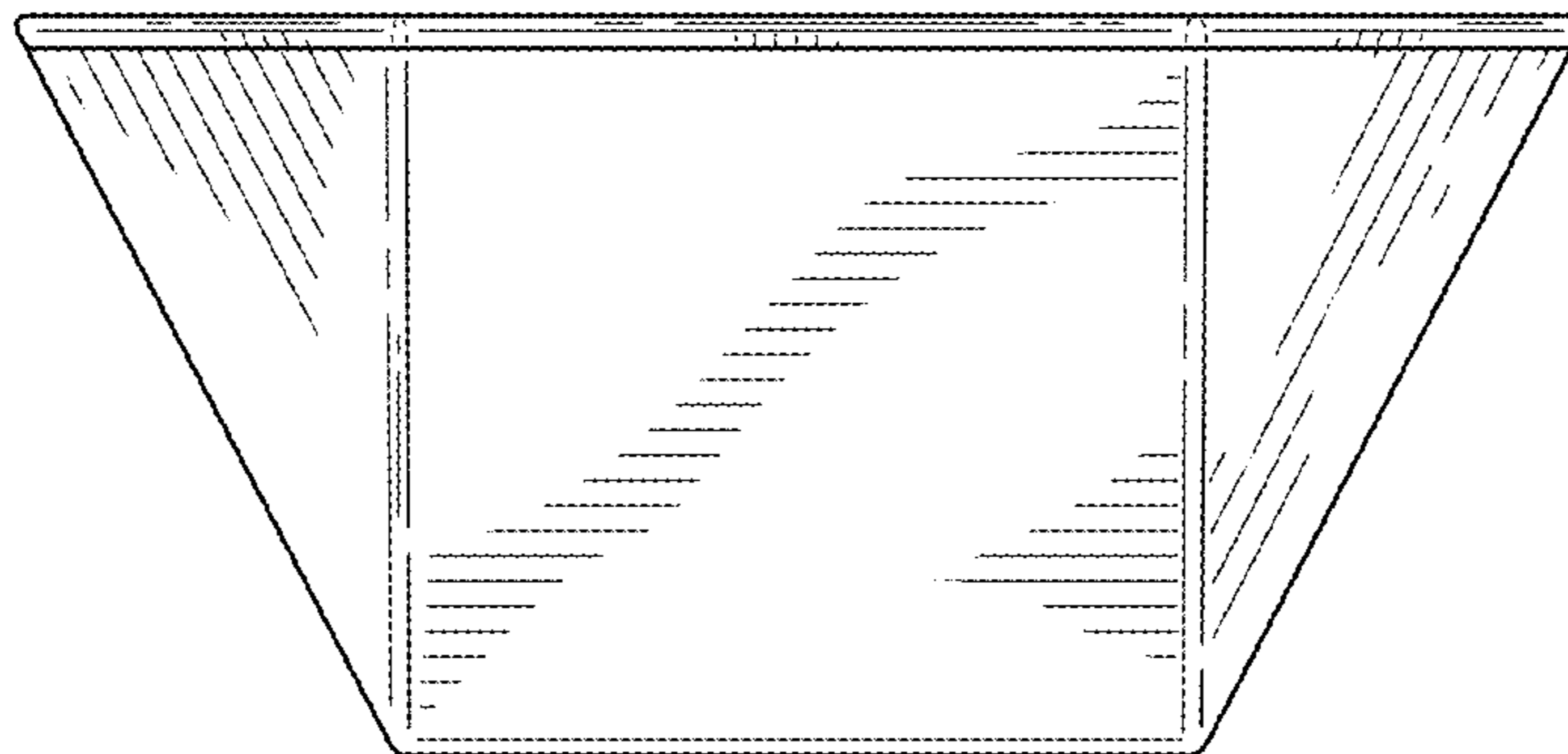


FIG. 7

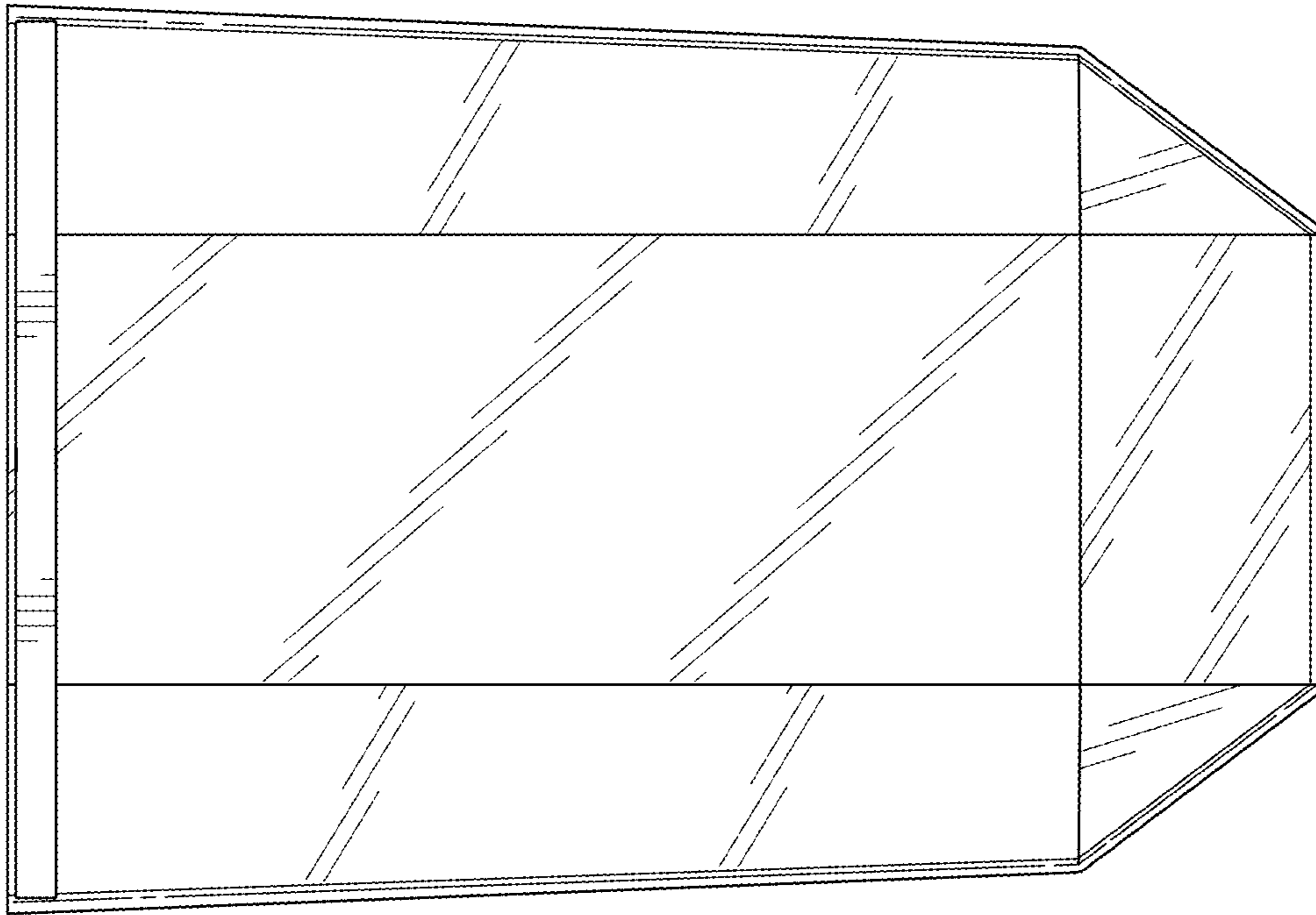


FIG. 8

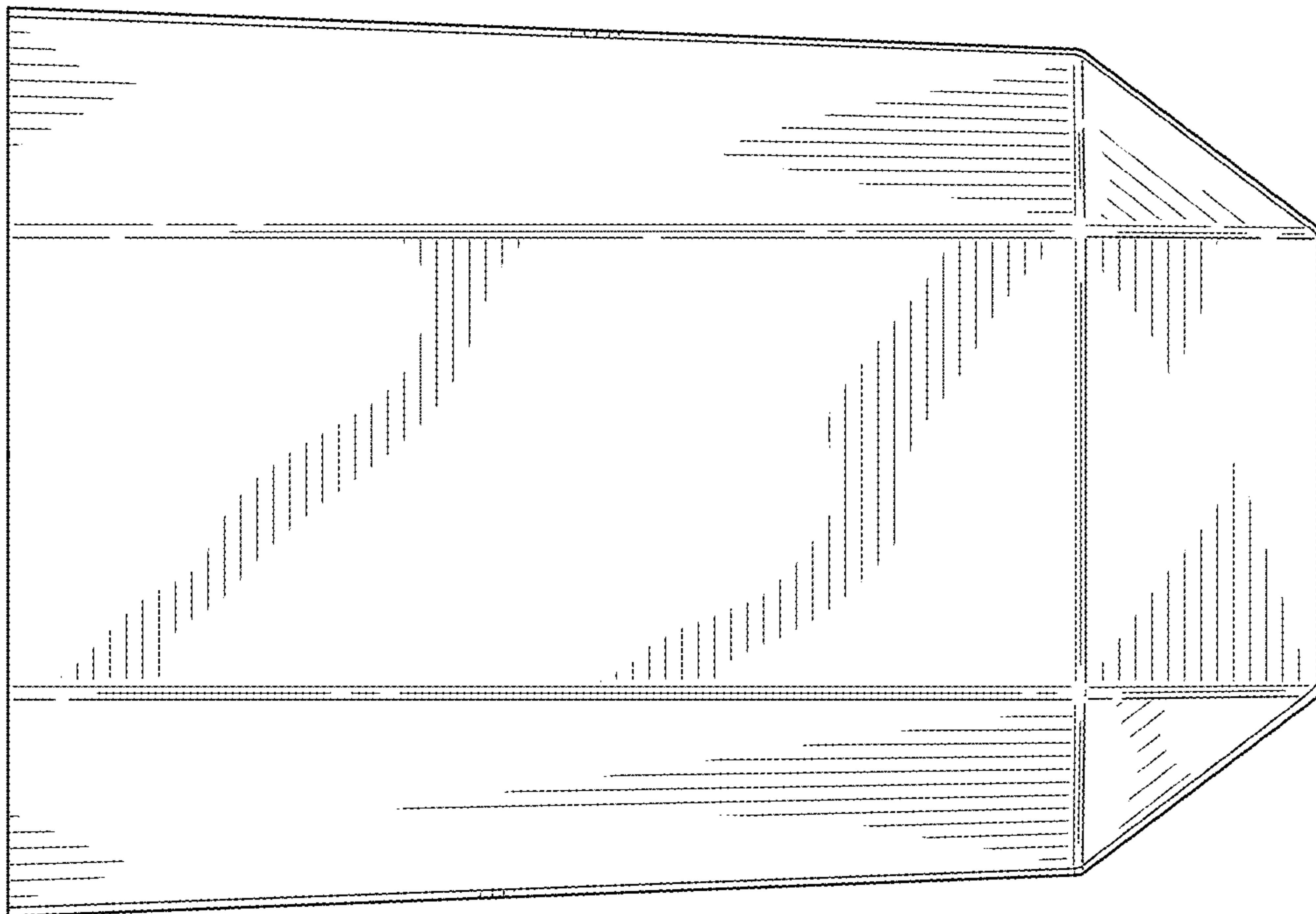


FIG. 9