



US00D943756S

(12) **United States Design Patent**  
**Lin**

(10) **Patent No.:** **US D943,756 S**  
(45) **Date of Patent:** **\*\* Feb. 15, 2022**

(54) **WAX WARMER**

(71) Applicant: **Hung-Chen Lin**, Tainan (TW)

(72) Inventor: **Hung-Chen Lin**, Tainan (TW)

(\*\*) Term: **15 Years**

(21) Appl. No.: **29/746,672**

(22) Filed: **Aug. 16, 2020**

(51) **LOC (13) Cl.** ..... **28-03**

(52) **U.S. Cl.**

USPC ..... **D24/200; D28/44.1**

(58) **Field of Classification Search**

USPC ..... D24/200, 204, 121; D7/323, 354, 629;  
D28/44, 44.1

CPC ..... A61F 7/00; A61F 7/007; A61F 7/0085;  
A61F 2007/0001; A61F 2007/0003; A61F  
2007/0004; A61F 2007/0024; A61F  
2007/0029; A61F 2007/0031; A61F  
2007/0034; A61F 2007/0039; A61F  
2007/0041; A61F 2007/0043; A61F  
2007/0219; A61L 9/03; A61L 9/12; H05B  
3/0052; H05B 3/06; A61H 33/04; A61H  
2033/047; A45D 2200/155; A45D  
26/0014; A45D 2026/008

See application file for complete search history.

(56) **References Cited**

**U.S. PATENT DOCUMENTS**

6,756,567 B1 \* 6/2004 Suen ..... F27B 17/00  
219/424  
8,084,718 B1 \* 12/2011 Shotey ..... A61F 7/0085  
219/428

D838,859 S 1/2019 Yu  
10,363,333 B2 \* 7/2019 Belongia ..... A61L 9/03  
D857,215 S \* 8/2019 Lin ..... D24/200  
D876,655 S 2/2020 Lin  
D878,616 S 3/2020 Lin  
D887,568 S 6/2020 Lin  
D914,223 S \* 3/2021 Wang ..... D24/200  
D914,224 S \* 3/2021 Wang ..... D24/200  
D932,102 S \* 9/2021 Deng ..... D28/44.1  
D933,248 S \* 10/2021 Liu ..... D24/200  
D933,294 S \* 10/2021 Deng ..... D28/44.1

\* cited by examiner

*Primary Examiner* — Wan Laymon

(74) *Attorney, Agent, or Firm* — Rumit Ranjit Kanakia

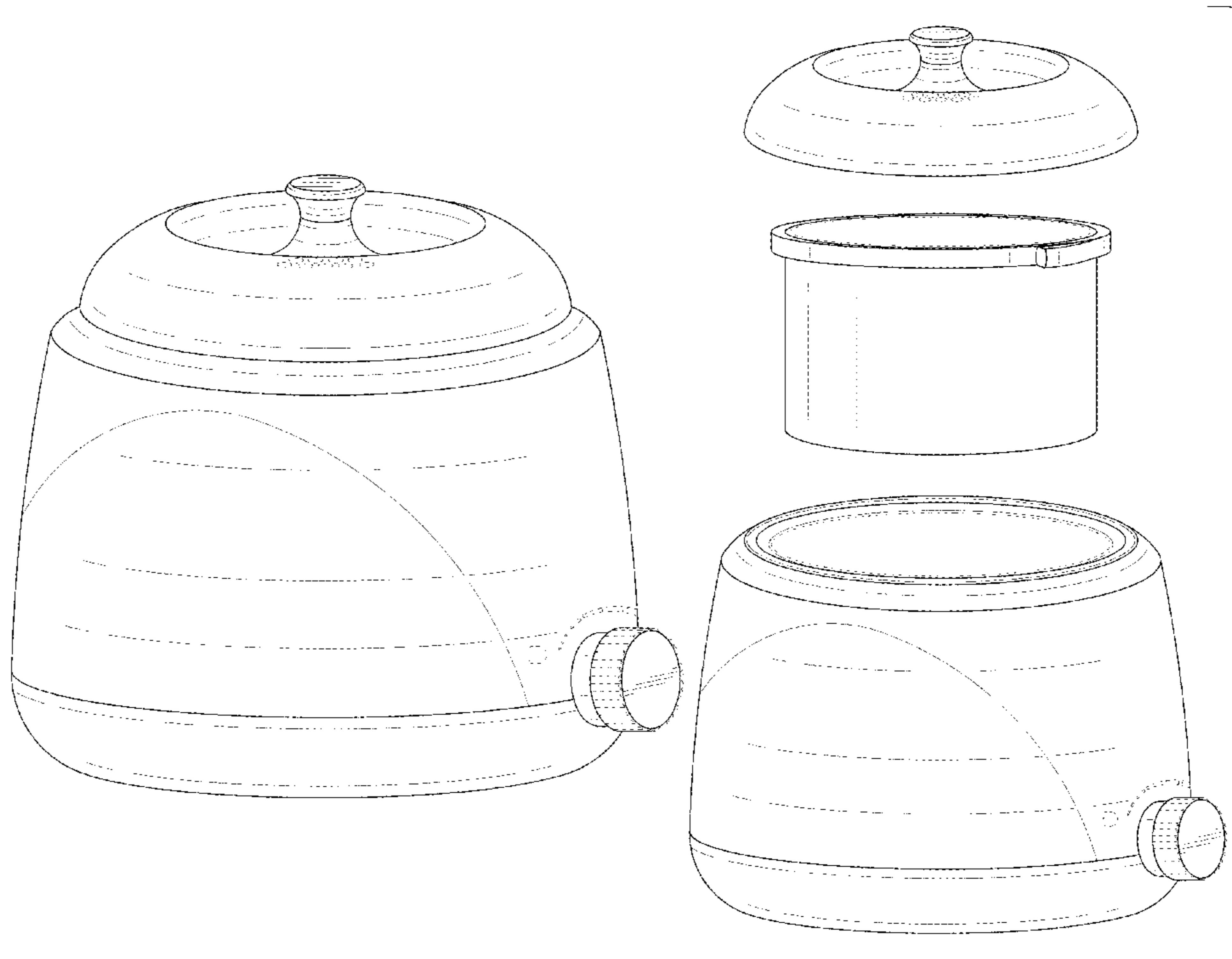
(57) **CLAIM**

I claim the ornamental design for a wax warmer, as shown and described.

**DESCRIPTION**

FIG. 1 is a Perspective view of a wax warmer showing my new design;  
FIG. 2 is a Front view thereof;  
FIG. 3 is a Back view thereof;  
FIG. 4 is a Right-side view thereof;  
FIG. 5 is a Left-side view thereof;  
FIG. 6 is a Top view thereof;  
FIG. 7 is a Bottom view thereof; and,  
FIG. 8 is an exploded perspective view thereof.  
The broken lines are for the purpose of illustrating portions of the article that form no part of the claim.

**1 Claim, 8 Drawing Sheets**



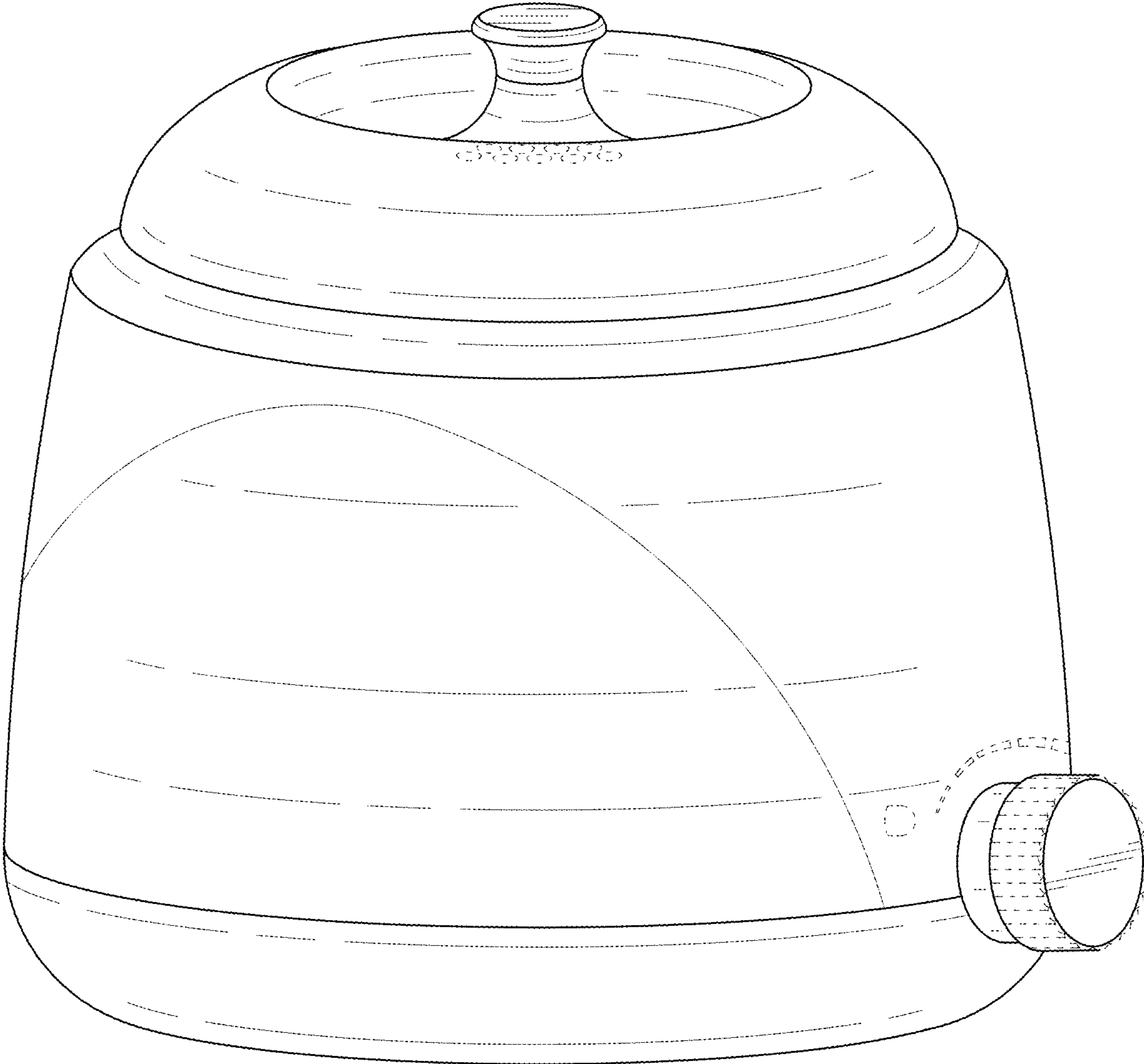


FIG. 1

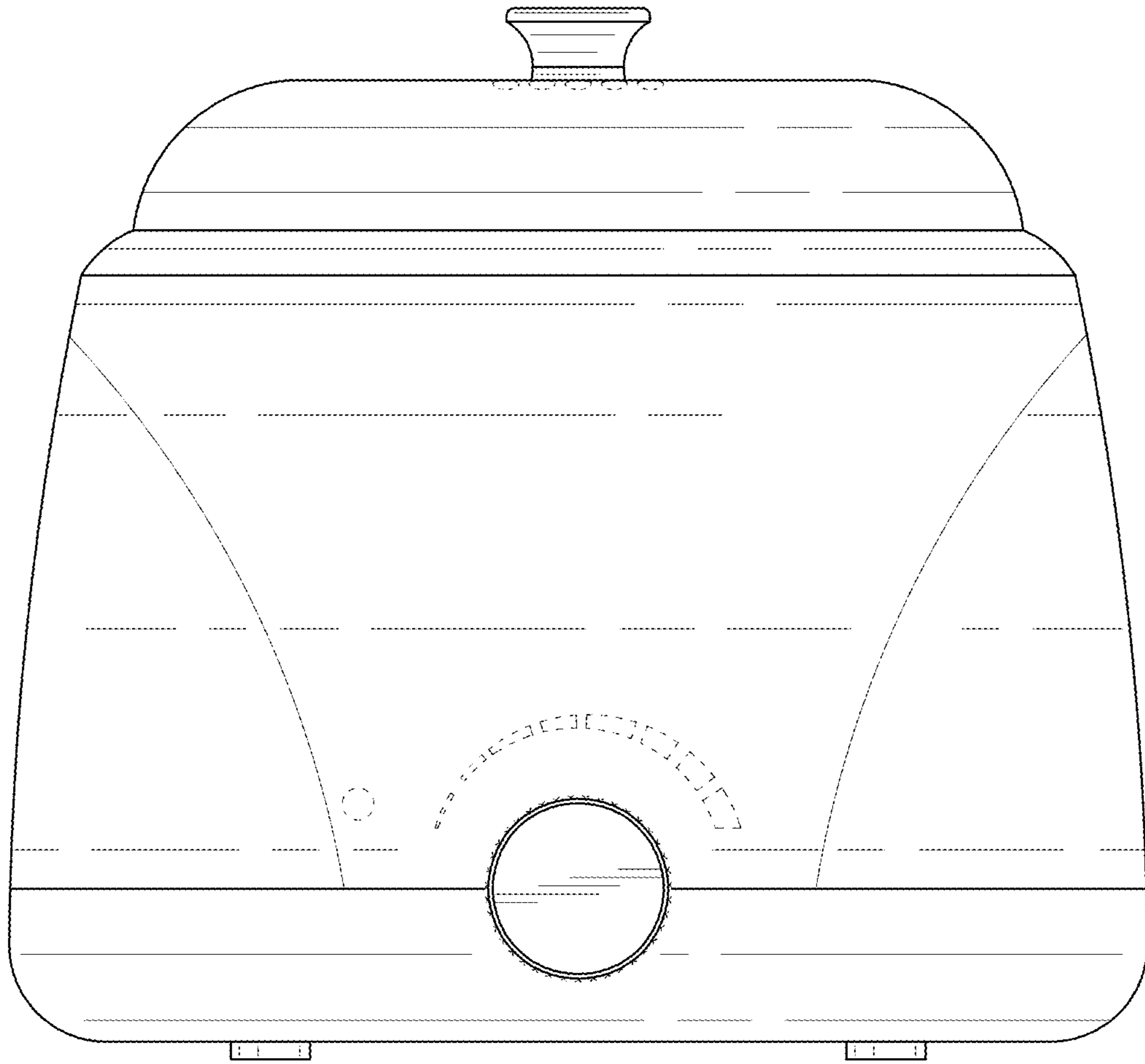


FIG. 2

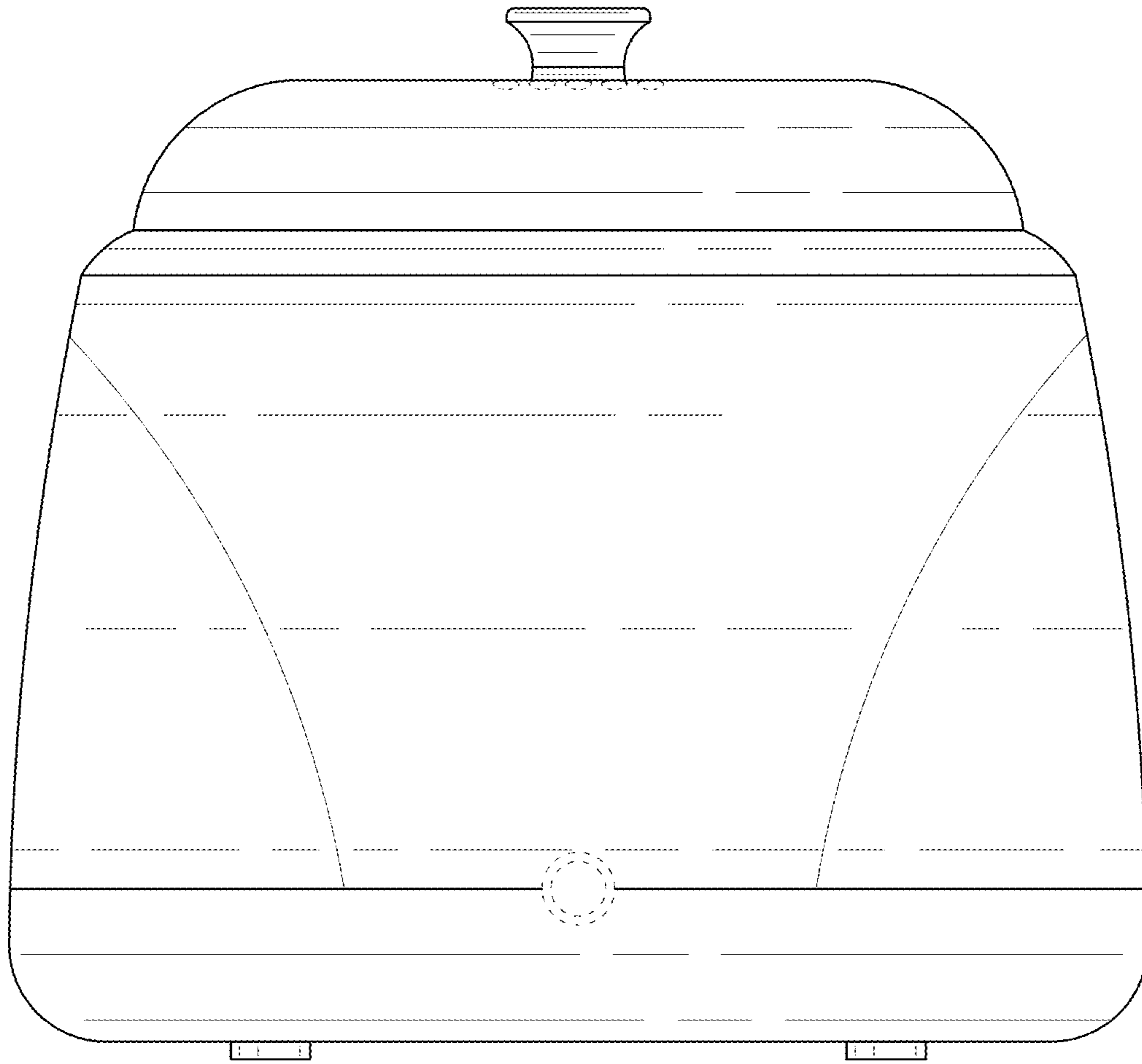


FIG. 3

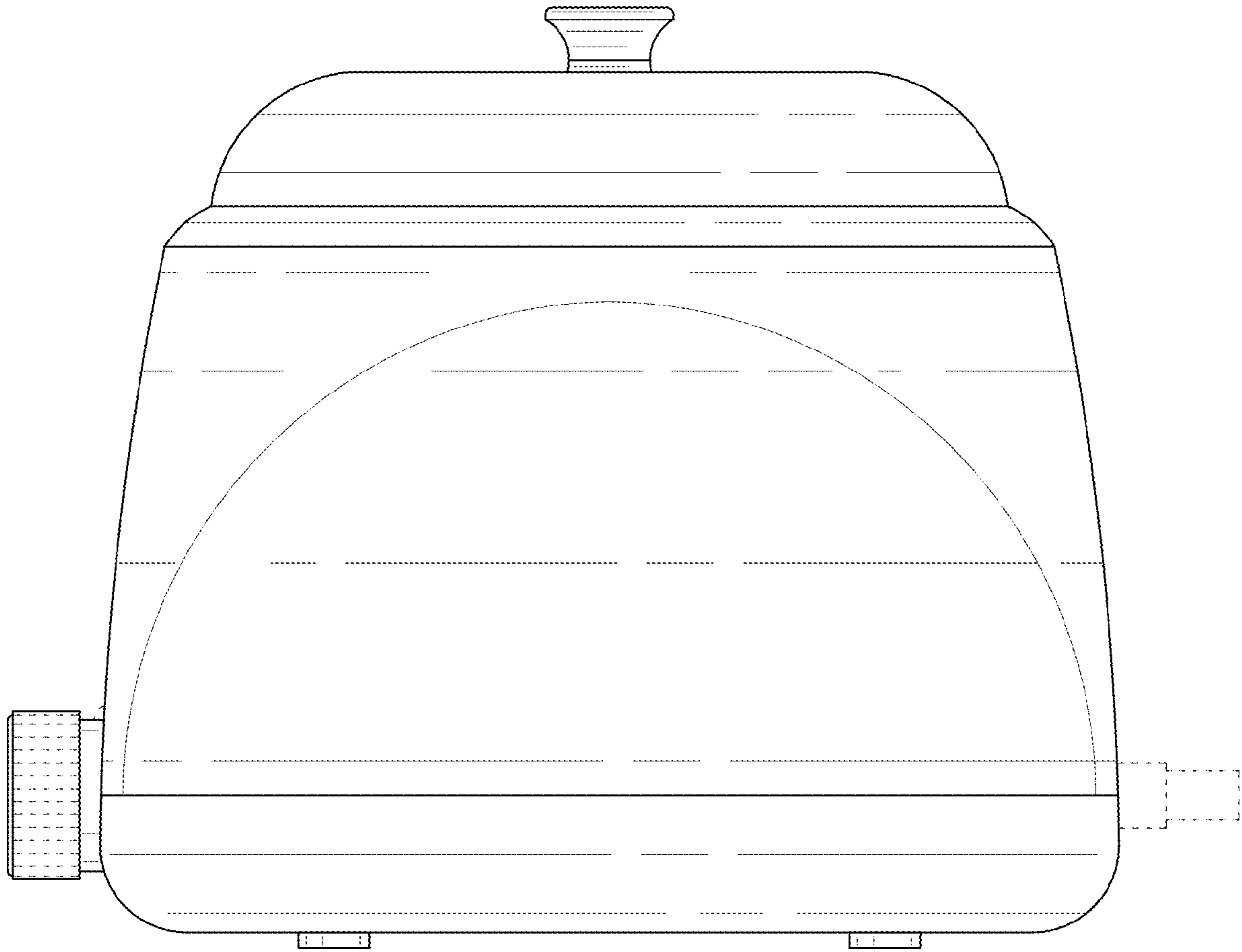


FIG. 4

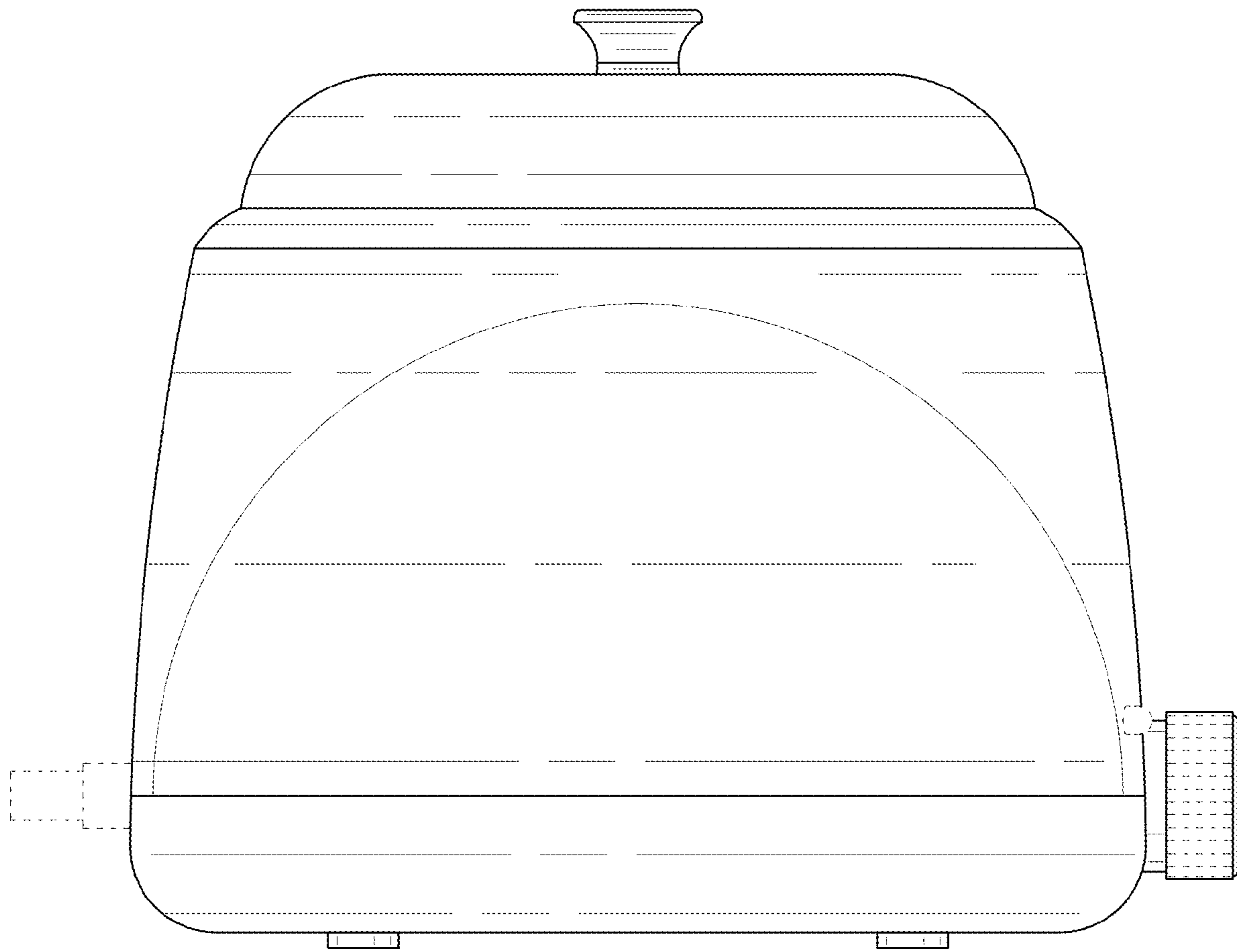


FIG. 5

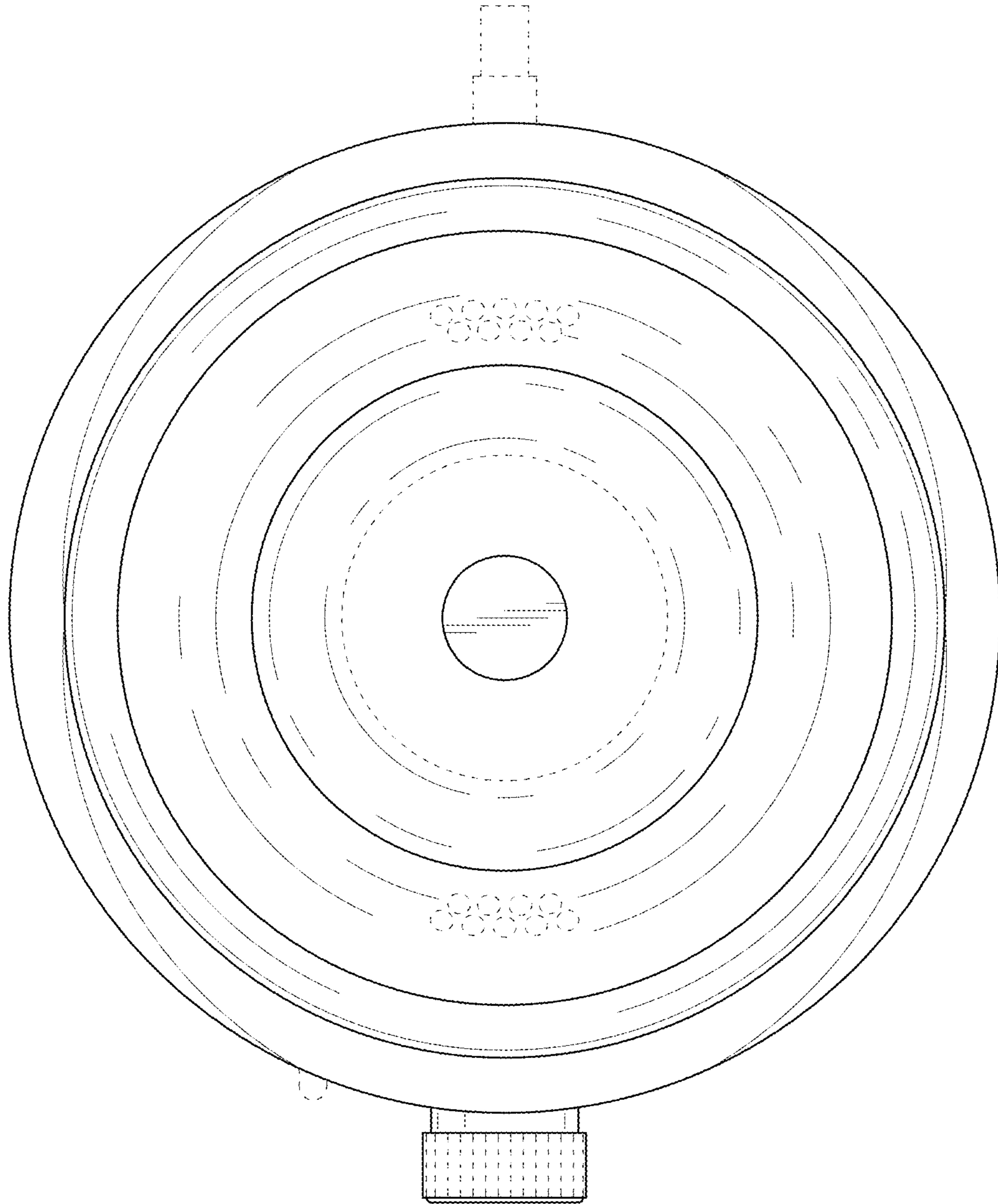


FIG. 6

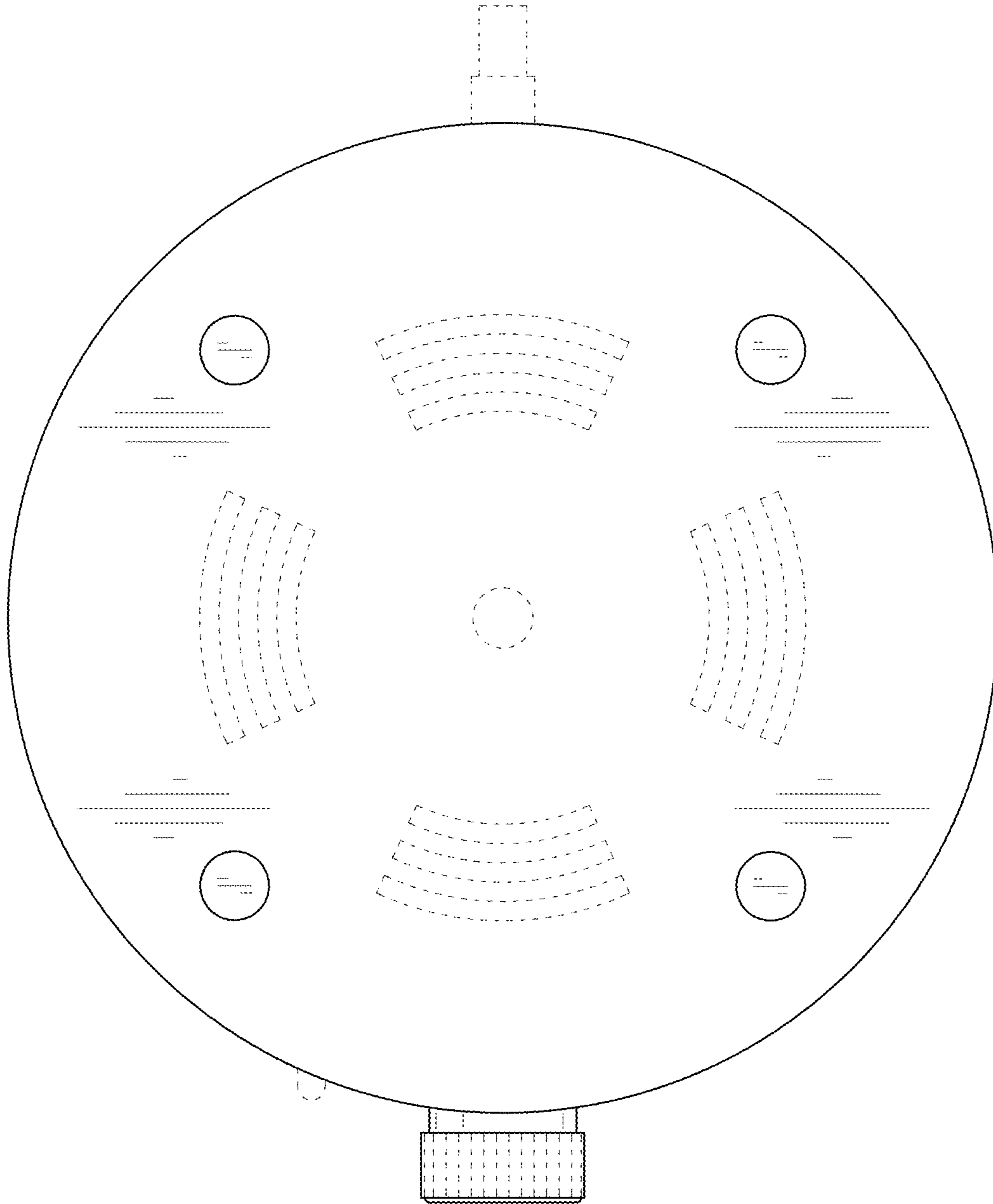


FIG. 7



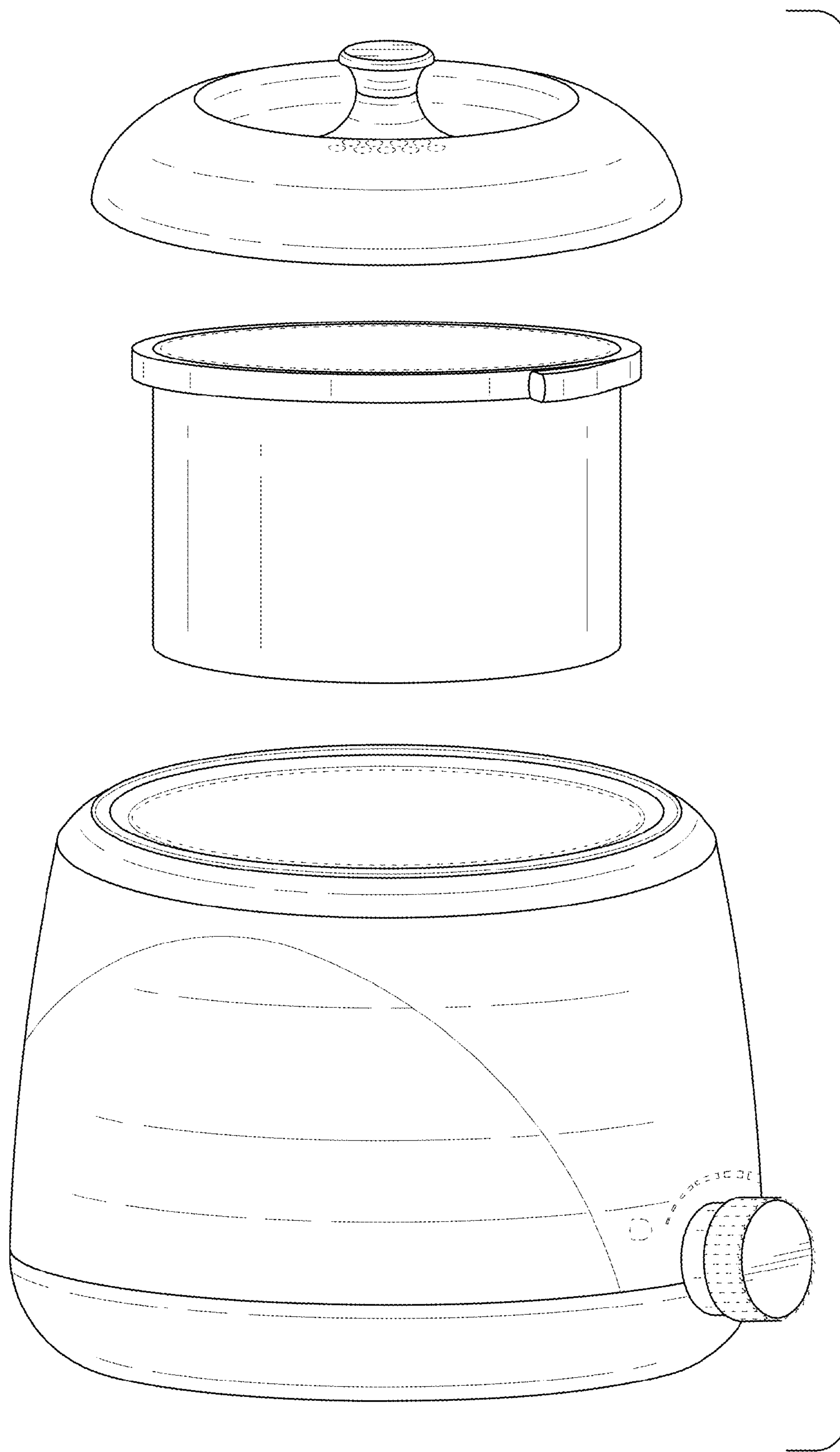


FIG. 8