



US00D943752S

(12) **United States Design Patent** (10) **Patent No.:** **US D943,752 S**
Watters, III et al. (45) **Date of Patent:** **** Feb. 15, 2022**

(54) **LATERAL DECUBITUS LEG SUPPORT DEVICE**

(71) Applicant: **BONE FOAM, INC.**, Corcoran, MN (US)

(72) Inventors: **Benjamin J. Watters, III**, Saint Louis Park, MN (US); **Clinton J. McCullough**, Blaine, MN (US); **Peter A. Cole, Jr.**, North Oaks, MN (US)

(73) Assignee: **BONE FOAM, INC.**, Corcoran, MN (US)

(**) Term: **15 Years**

(21) Appl. No.: **29/801,329**

(22) Filed: **Jul. 28, 2021**

Related U.S. Application Data

(62) Division of application No. 29/726,630, filed on Mar. 4, 2020.

(51) **LOC (13) Cl.** **24-02**

(52) **U.S. Cl.**
USPC **D24/190**; D24/184

(58) **Field of Classification Search**
USPC D24/183, 184, 190-192; D29/120.1, D29/121.1, 122, 121.2; D6/596-604
CPC A61F 5/0111; A61F 5/0127; A61F 13/066; A61F 2/6607; A61F 5/37; A47G 9/10; A47C 20/021; A47C 20/023; A47C 16/00; A47C 20/026; A47C 20/027; A61G 7/0755; A61G 13/121; A61G 7/075; A61G 13/1235
See application file for complete search history.

(56) **References Cited**

U.S. PATENT DOCUMENTS

D187,372 S * 3/1960 Dailey D24/101
3,946,451 A 3/1976 Spann

D296,932 S 7/1988 Traghese
D311,109 S 10/1990 Geschwender
D321,562 S * 11/1991 Ljungvall D24/183
D359,804 S 6/1995 Carter
D442,006 S 5/2001 Miller
D447,568 S * 9/2001 Hall D24/183
6,443,987 B1 * 9/2002 Bryan A61B 17/1671
623/17.11
D625,421 S 10/2010 Sharps et al.
D642,280 S 7/2011 Goumas
D728,799 S 5/2015 Ravikumar et al.
D733,897 S 7/2015 Rossouw
D736,391 S 8/2015 Johnson et al.

(Continued)

OTHER PUBLICATIONS

Lateral Bolster. Online, published date unknown. Retrieved on Jul. 12, 2021 from URL <https://www.bonefoam.com/product/lateral-leg-bolster/>.

Primary Examiner — Susan Bennett Hattan

Assistant Examiner — Omeed Agilee

(74) *Attorney, Agent, or Firm* — Workman Nydegger

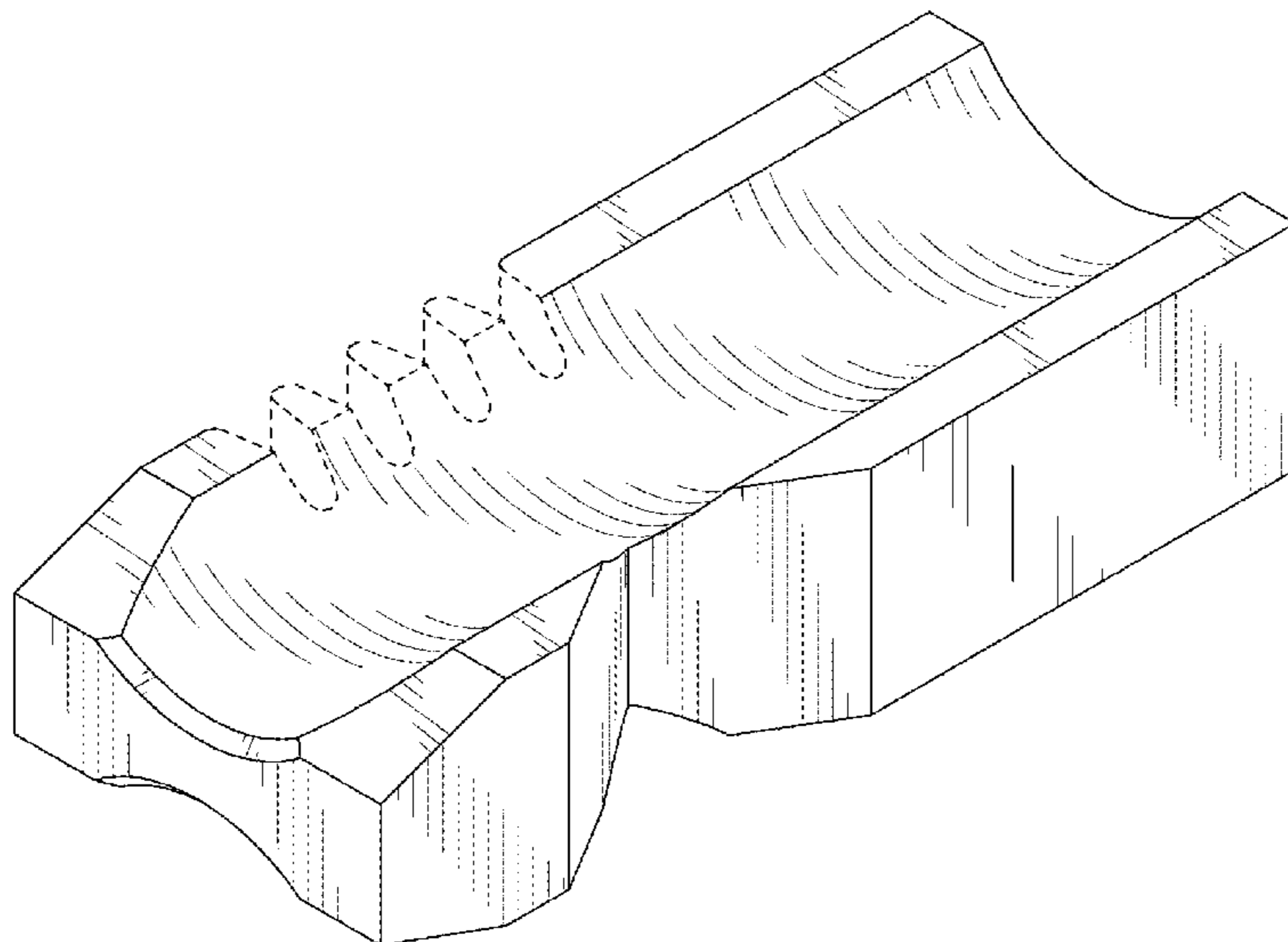
(57) **CLAIM**

The ornamental design for a lateral decubitus leg support device, as shown and described.

DESCRIPTION

FIG. 1 is a front, right perspective view of a lateral decubitus leg support device;
FIG. 2 is a front elevation view thereof;
FIG. 3 is a rear elevation view thereof;
FIG. 4 is a top plan view thereof;
FIG. 5 is a bottom plan view thereof;
FIG. 6 is a right side elevation view thereof; and,
FIG. 7 is a left side elevation view thereof.
The broken lines in the drawings depict portions of the lateral decubitus leg support device that form no part of the claimed design.

1 Claim, 3 Drawing Sheets



(56)

References Cited

U.S. PATENT DOCUMENTS

D741,488	S	10/2015	Tohmeh et al.	
D745,156	S *	12/2015	McCormack	D24/155
D748,931	S *	2/2016	Corigliano	D6/601
D754,990	S	5/2016	Velasquez	
9,381,049	B2 *	7/2016	McCormack	A61B 17/025
D783,834	S	4/2017	Johnson et al.	
D879,295	S	3/2020	Abbasi	
D879,989	S	3/2020	Mollohan	
D885,589	S	5/2020	Marcil	
D898,443	S *	10/2020	Romano	D6/601
2002/0095731	A1 *	7/2002	Hall	A61G 7/075
				5/646
2014/0318550	A1 *	10/2014	Docl	A63B 23/0494
				128/845
2015/0328393	A1	11/2015	Stephens et al.	
2016/0030188	A1 *	2/2016	Lynn	A61F 2/30744
				623/17.16
2016/0113773	A1 *	4/2016	Ganem	A61F 2/447
				623/17.16

* cited by examiner

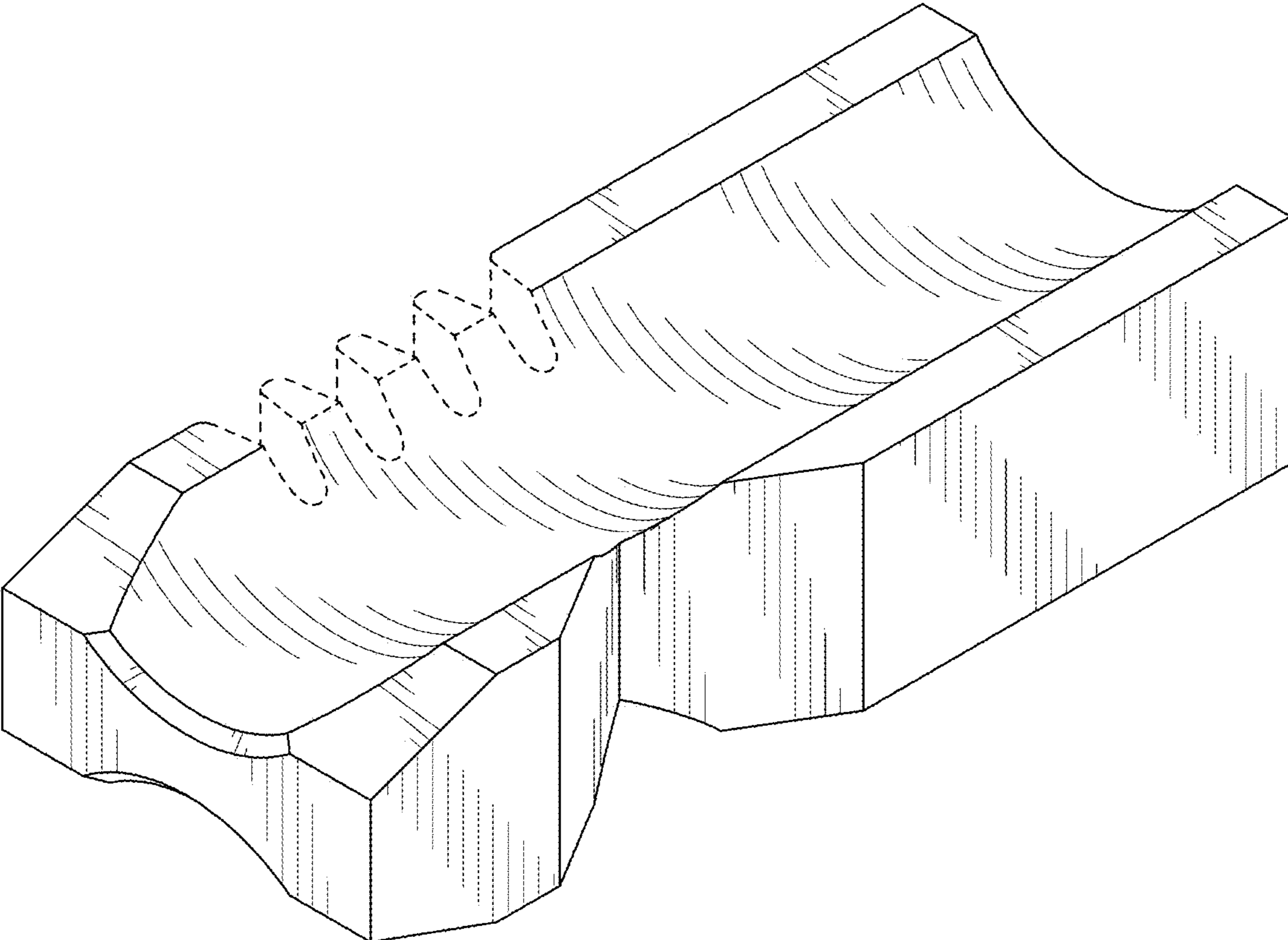


FIG. 1

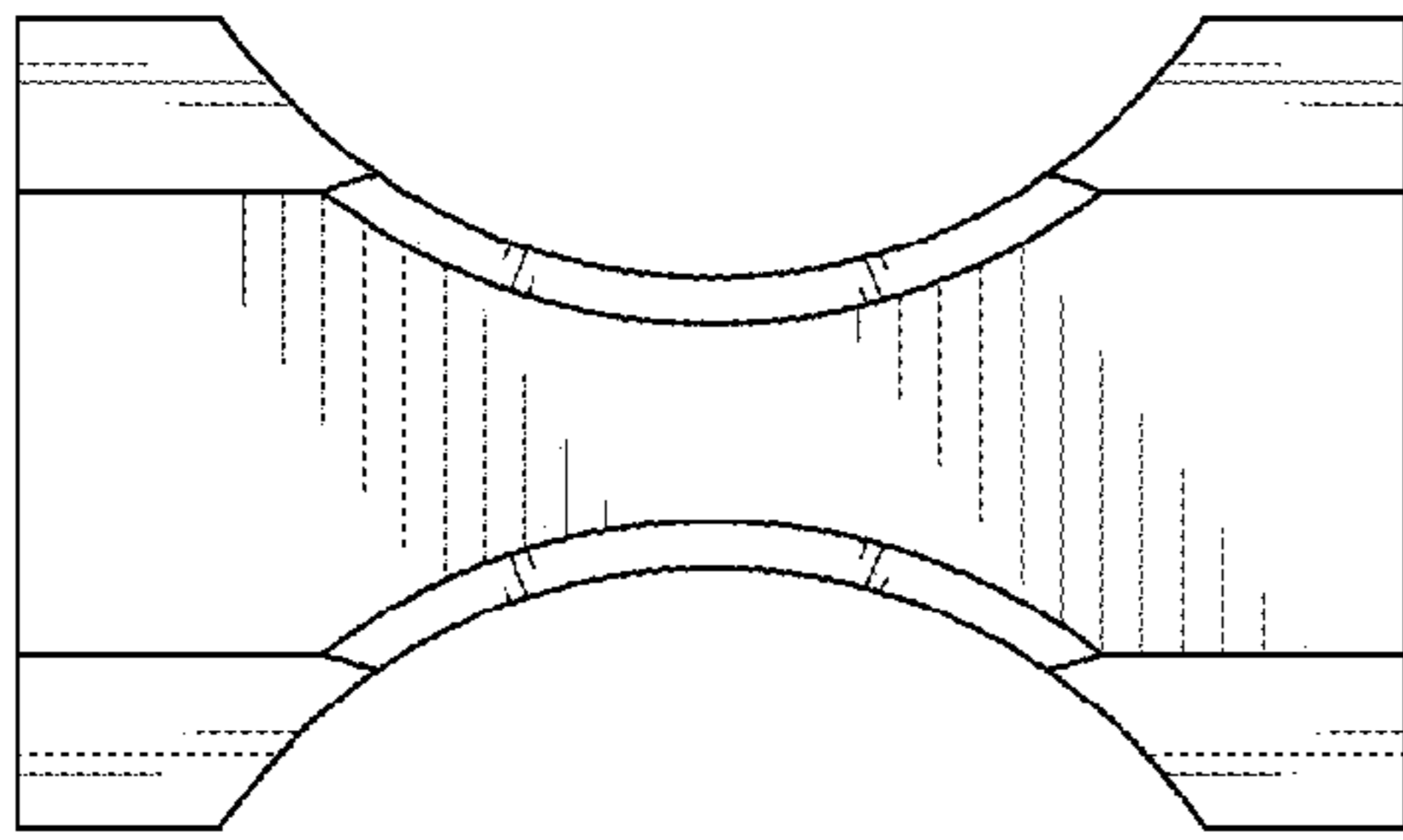


FIG. 2

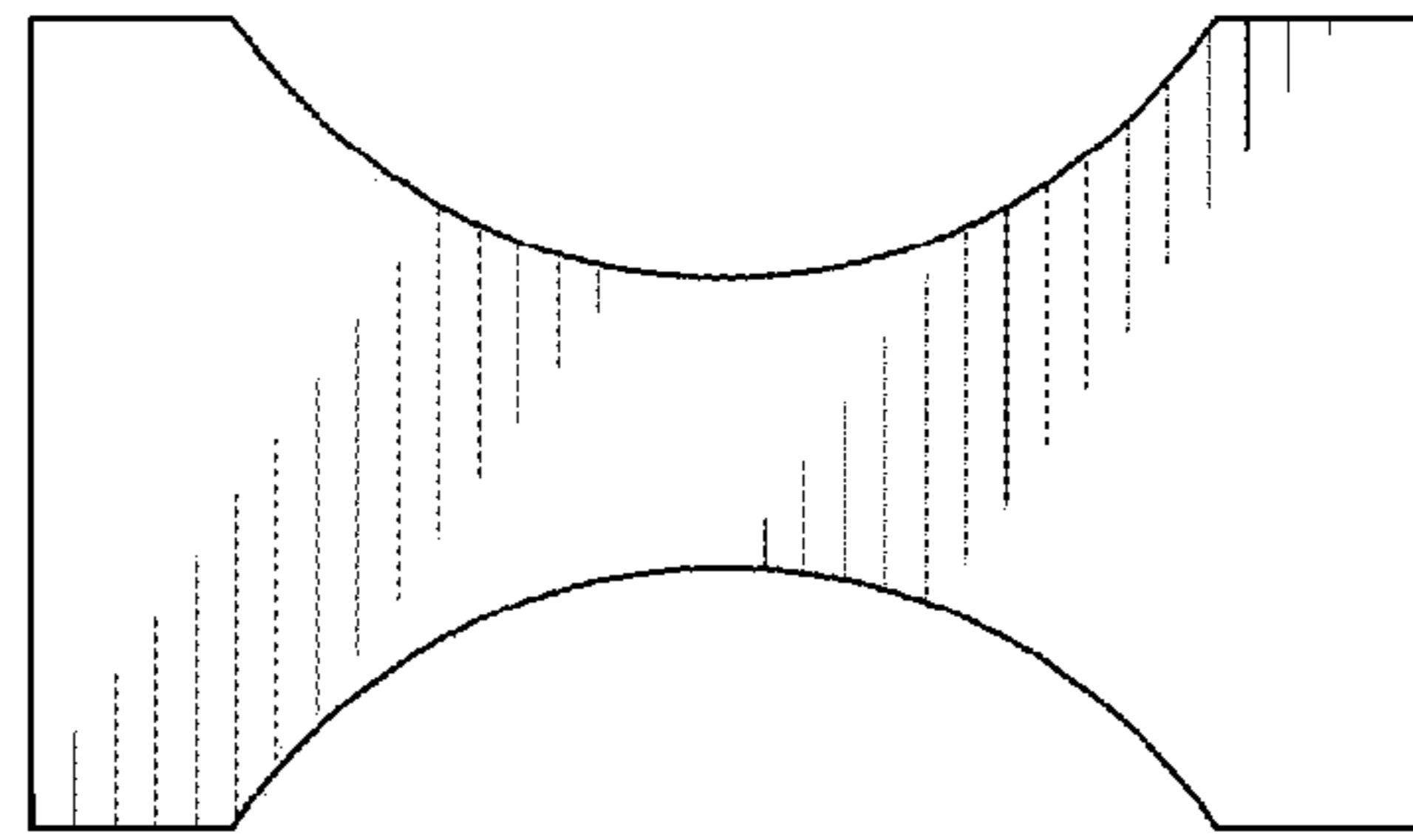


FIG. 3

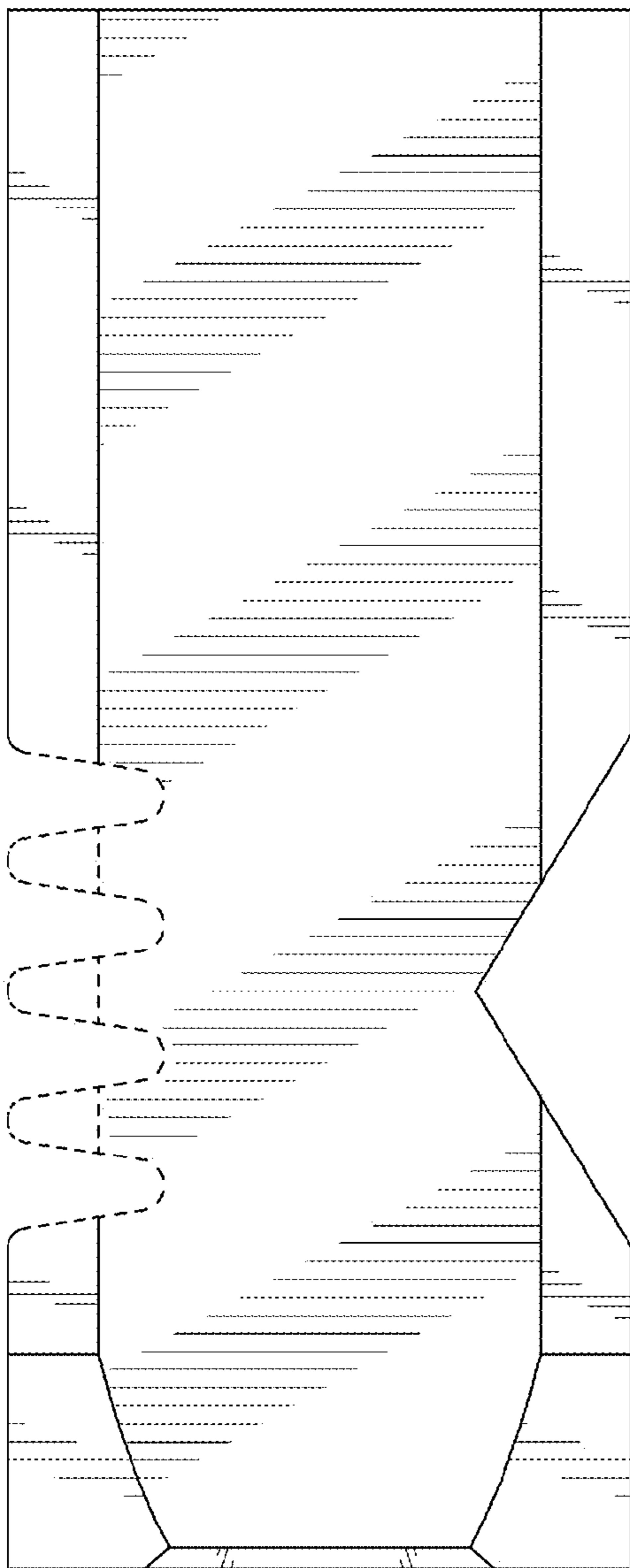


FIG. 4

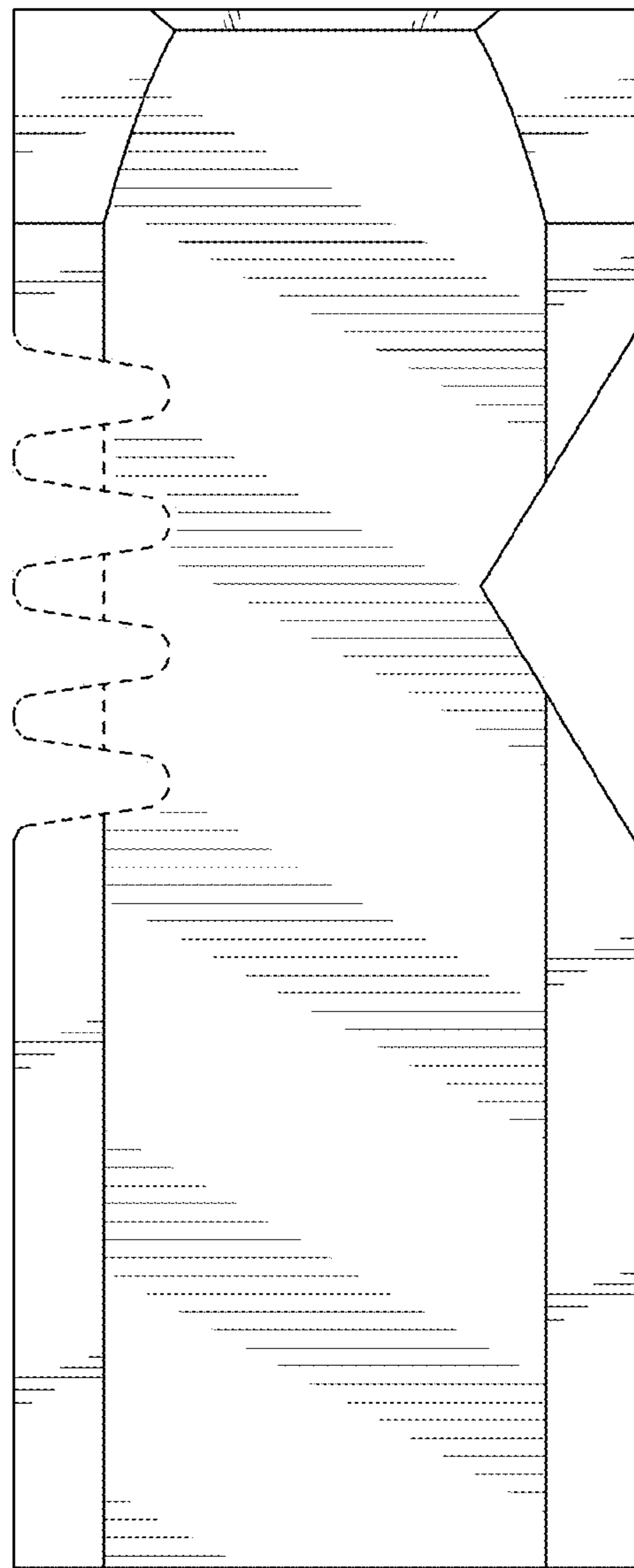


FIG. 5

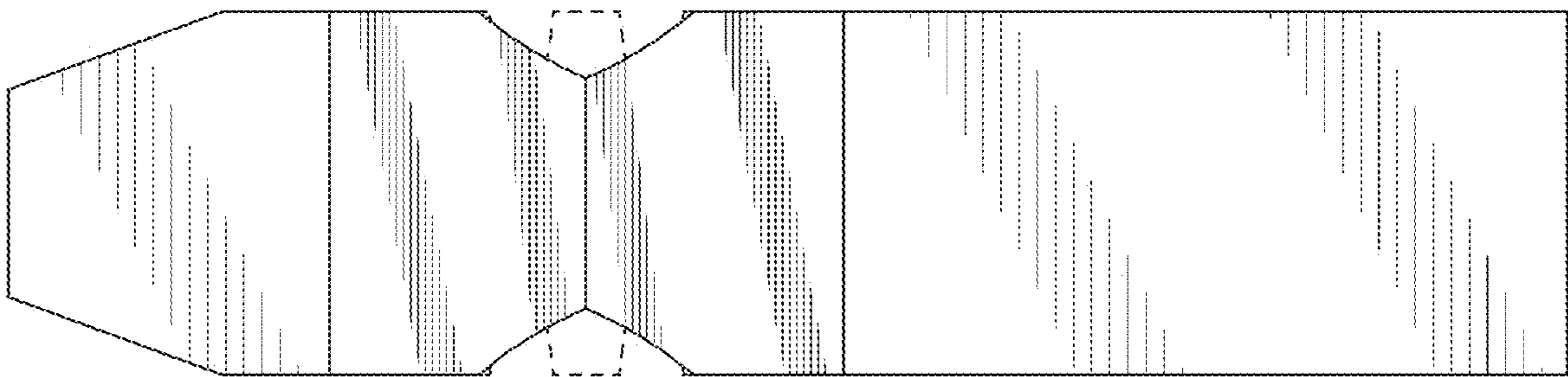


FIG. 6

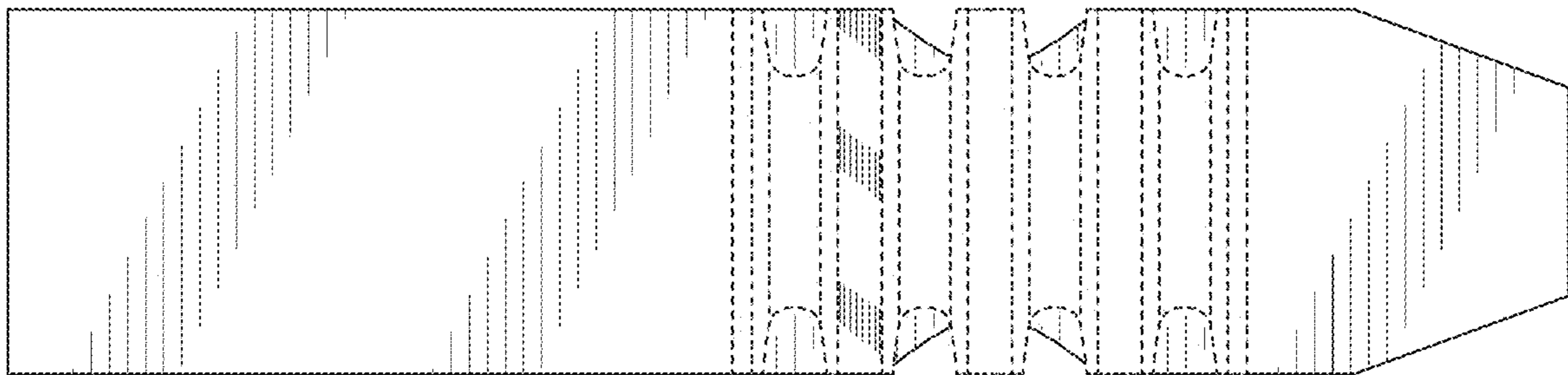


FIG. 7