

US00D943748S

(12) **United States Design Patent** (10) **Patent No.:** **US D943,748 S**
Dennewald (45) **Date of Patent:** **** Feb. 15, 2022**

(54) **ORTHOTIC DEVICE**

FOREIGN PATENT DOCUMENTS

(71) Applicant: **DENNEROLL HOLDINGS PTY LTD**, Cromer (AU)

CN 88203329 U 12/1988
CN 2071030 U 2/1991

(Continued)

(72) Inventor: **Adrian Dennewald**, Waverton (AU)

Primary Examiner — Vy N Koenig

(73) Assignee: **DENNEROLL HOLDINGS PTY LIMITED**, Cromer NSW (AU)

(74) *Attorney, Agent, or Firm* — Mackey Law Firm PLLC

(**) Term: **15 Years**

(57) **CLAIM**

(21) Appl. No.: **29/705,245**

The ornamental design for an orthotic device, as shown and described.

(22) Filed: **Sep. 10, 2019**

Related U.S. Application Data

DESCRIPTION

(60) Continuation-in-part of application No. 16/107,840, filed on Aug. 21, 2018, and a continuation-in-part of application No. 14/865,730, filed on Sep. 25, 2015, now Pat. No. 10,758,069, said application No. 16/107,840 is a division of application No. 14/865,730, filed on Sep. 25, 2015, now Pat. No. 10,758,069, application No. 29/705,245, which is a continuation-in-part of application No. 29/540,145, filed on Sep. 21, 2015, now Pat. No. Des. 859,664,
(Continued)

FIG. 1 is a perspective view of one embodiment of an orthotic device according to the disclosure.

FIG. 2 is an end view of the orthotic device of FIG. 2.

FIG. 3 is a front view of the orthotic device of FIG. 2.

FIG. 4 is a rear view of the orthotic device of FIG. 2.

FIG. 5 is a top view of the orthotic device of FIG. 2.

FIG. 6 is a perspective view of another embodiment of an orthotic device according to the disclosure.

FIG. 7 is an end view of the orthotic device of FIG. 6.

FIG. 8 is a front view of the orthotic device of FIG. 6.

FIG. 9 is a rear view of the orthotic device of FIG. 6; and, FIG. 10 is a top view of the orthotic device of FIG. 6.

The dash-dot broken lines in FIGS. 1, 3-5, 6 and 8-10 immediately adjacent to claimed surfaces represent the boundaries of the claimed design and also show portions of the orthotic device that form no part of the claimed design.

The dash-dash broken lines in FIGS. 1-10 show portions of the orthotic device and form no part of the claimed design. None of the broken lines shown in the figures forms any part of the claimed design.

The orthotic device is shown with a symbolic break in its length. The appearance of any portion of the article between the break lines forms no part of the claimed design.

(51) **LOC (13) Cl.** **24-01**

(52) **U.S. Cl.**
USPC **D24/183**

(58) **Field of Classification Search**
USPC D24/107, 121, 133, 183, 184, 224-225,
D24/227, 233; D6/596, 601
CPC A61G 1/04-048; A61G 5/12-128; B01L
3/00

See application file for complete search history.

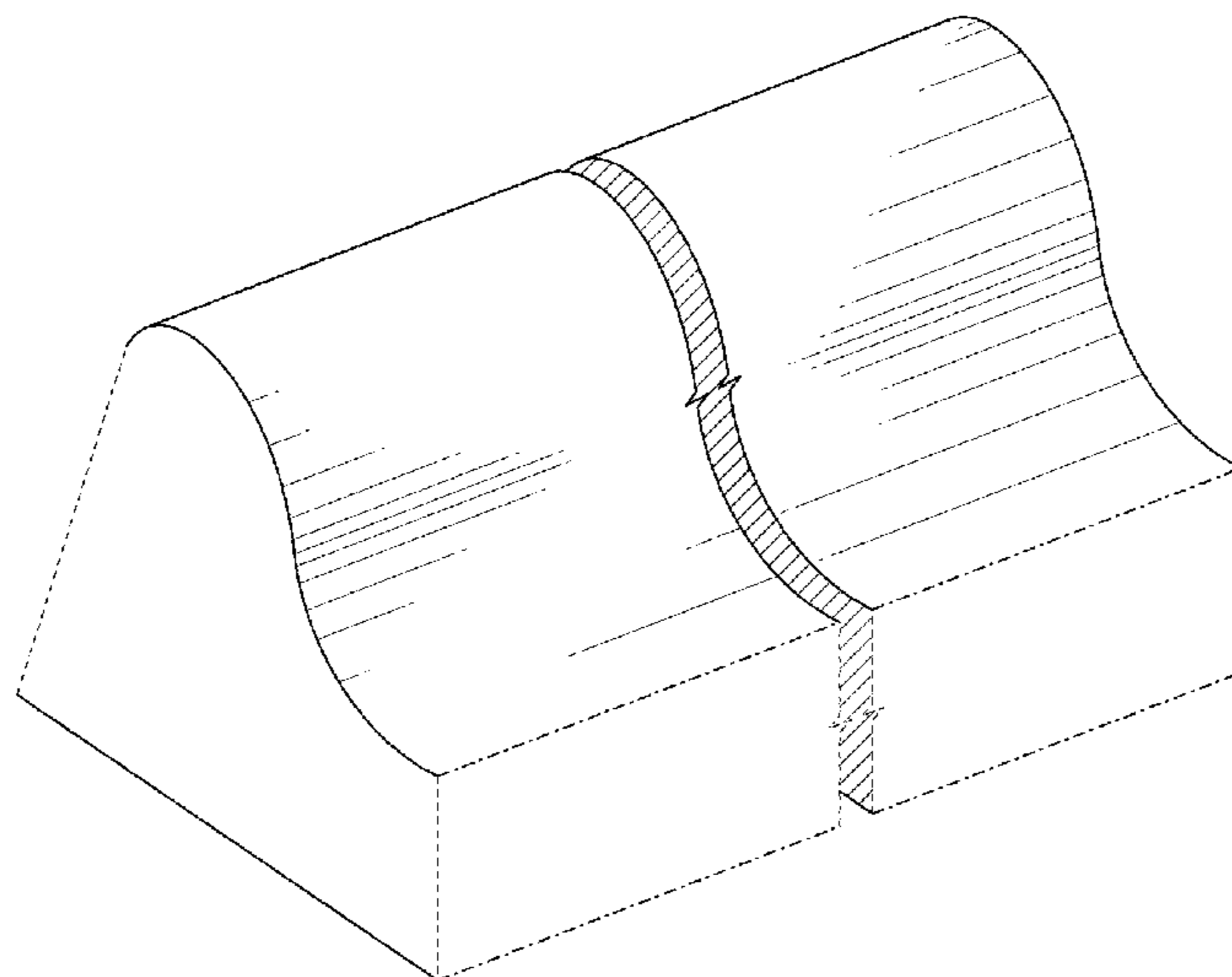
(56) **References Cited**

U.S. PATENT DOCUMENTS

2,700,779 A 2/1955 Tolkowsky
2,835,905 A 5/1958 Tomasson

(Continued)

1 Claim, 6 Drawing Sheets



Related U.S. Application Data

and a continuation-in-part of application No. 29/539,934, filed on Sep. 18, 2015, now Pat. No. Des. 860,463, said application No. 29/540,145 is a continuation-in-part of application No. 12/468,547, filed on May 19, 2009, now Pat. No. 9,186,004, said application No. 29/539,934 is a continuation of application No. 12/468,547, filed on May 19, 2009, now Pat. No. 9,186,004, said application No. 14/865,730 is a continuation of application No. 12/468,547, filed on May 19, 2009, now Pat. No. 9,186,004, which is a division of application No. 11/524,560, filed on Sep. 21, 2006, now abandoned.

(56)

References Cited

U.S. PATENT DOCUMENTS

2,880,428 A 4/1959 Forsland
 3,648,308 A 3/1972 Greenawalt
 3,829,917 A 8/1974 Da Laittre et al.
 3,842,453 A 10/1974 Redfield
 D240,311 S 6/1976 Owens
 D241,104 S 8/1976 Copeland
 D245,298 S 8/1977 Brahm
 D247,406 S 3/1978 Stahl et al.
 D254,029 S 1/1980 Barbagallo
 D255,959 S 7/1980 Mitchell
 D256,408 S 8/1980 Nakisbendi
 4,218,792 A 8/1980 Kogan
 D263,439 S * 3/1982 Grube D24/215
 4,424,599 A 1/1984 Hannouche
 D276,938 S 12/1984 Pedersen
 4,494,261 A 1/1985 Morrow
 4,550,459 A 11/1985 Endel et al.
 D286,586 S 11/1986 Radford
 4,679,263 A 7/1987 Honer
 4,754,513 A 7/1988 Rinz
 4,756,090 A 7/1988 Pedrow
 4,759,089 A 7/1988 Fox
 4,777,678 A 10/1988 Moore
 4,805,603 A 2/1989 Cumberland
 4,821,355 A 4/1989 Burkhardt
 4,829,614 A 5/1989 Harper
 4,832,007 A 5/1989 Davis, Jr. et al.
 4,916,765 A 4/1990 Castronovo, Jr.
 D308,141 S 5/1990 Genova et al.
 4,928,335 A 5/1990 Pedrow
 D310,609 S 9/1990 Burkhardt
 4,956,886 A 9/1990 Sarkozi
 D314,284 S 2/1991 Cohen
 D314,685 S * 2/1991 Hudson D6/601
 D317,840 S 7/1991 Jagdat
 5,123,132 A 6/1992 Dixon
 5,127,120 A 7/1992 Mason
 D328,682 S * 8/1992 Carney D6/601
 D334,107 S 3/1993 Johnson
 D337,210 S 7/1993 Silverman
 5,237,714 A 8/1993 Baron
 D341,267 S 11/1993 Caldwell
 5,279,310 A 1/1994 Hsien
 D361,905 S 9/1995 Adams et al.
 5,457,832 A 10/1995 Tatum
 5,481,771 A 1/1996 Burk, IV
 D366,966 S 2/1996 Bonaddio et al.
 D370,821 S 6/1996 Mata
 D372,805 S 8/1996 Bonaddio et al.
 D375,417 S 11/1996 Bonaddio et al.
 5,630,651 A 5/1997 Fishbane
 5,644,809 A * 7/1997 Olson A47G 9/1081
 5/636
 5,662,597 A 9/1997 Chitwood
 5,694,726 A 12/1997 Wu
 5,727,267 A 3/1998 Keilhauer
 5,797,154 A 8/1998 Contreras

5,819,485 A 10/1998 Lane et al.
 D400,386 S 11/1998 Keilhauer
 D400,387 S 11/1998 Denney
 D404,238 S 1/1999 Keilhauer
 D405,854 S 2/1999 Grant
 D410,744 S 6/1999 Banister
 5,916,185 A 6/1999 Chitwood
 D417,579 S * 12/1999 Tarquinio D6/601
 6,000,401 A 12/1999 Herrick
 D418,897 S 1/2000 Rembles
 D444,560 S 7/2001 Berglund
 D447,253 S 8/2001 Gardner
 D447,577 S 9/2001 Gardner
 D447,805 S * 9/2001 Siegal D24/183
 D448,228 S * 9/2001 Davis D6/601
 D448,581 S 10/2001 Branch
 D448,582 S 10/2001 Branch
 6,345,401 B1 2/2002 Frydman
 D454,180 S 3/2002 Wessels
 6,381,784 B1 5/2002 Davis et al.
 D458,049 S 6/2002 Prins et al.
 D461,649 S 8/2002 Prins et al.
 6,446,288 B1 9/2002 Pi
 6,471,726 B2 10/2002 Wang
 D473,063 S 4/2003 Pappas
 D480,484 S 10/2003 Kakhiani
 D484,618 S 12/2003 Kakhiani
 D486,247 S 2/2004 Eichner et al.
 6,704,957 B2 3/2004 Rhodes
 D491,282 S 6/2004 Kakhiani
 6,751,818 B2 6/2004 Troop
 6,817,049 B1 11/2004 Hall
 D499,816 S 12/2004 Eichner et al.
 D510,631 S 10/2005 Hsu
 7,013,512 B1 3/2006 Hsu
 D518,576 S 4/2006 Sevier et al.
 D521,301 S 5/2006 Dickson
 7,082,633 B1 8/2006 Maarbjerg
 D531,315 S 10/2006 Caudra
 7,210,178 B2 * 5/2007 DiGirolamo A47G 9/1081
 5/636
 D551,355 S 9/2007 Tao
 D555,408 S 11/2007 Keilhauer
 D555,741 S * 11/2007 Wachtfogel D21/662
 D573,830 S 7/2008 Kalatsky
 D595,527 S 7/2009 Carter
 D597,743 S 8/2009 Skinner
 D608,102 S * 1/2010 Kemm D6/361
 D615,210 S 5/2010 Woodhams et al.
 D618,354 S 6/2010 Francucci et al.
 D619,404 S 7/2010 Castillo
 D623,305 S 9/2010 Tao
 D634,961 S * 3/2011 Lowery D6/601
 D635,265 S 3/2011 Coffey et al.
 D635,271 S 3/2011 Azar et al.
 D637,030 S 5/2011 Khandai
 D638,646 S 5/2011 Penza
 D646,498 S 10/2011 Blasini et al.
 D651,368 S 12/2011 Seliskar et al.
 D664,256 S 7/2012 Dennewald
 D665,503 S 8/2012 Dennewald
 D672,879 S 12/2012 Hawkins
 D678,539 S 3/2013 Narson
 8,393,027 B2 3/2013 Weisberg
 D680,654 S 4/2013 Borreli
 D681,994 S 5/2013 Morgan, II
 D684,394 S 6/2013 Leemkuil
 D688,379 S 8/2013 Ehlers
 D701,710 S 4/2014 Martinez
 8,713,732 B2 5/2014 Dennewald
 D708,754 S 7/2014 Harangvolgyi
 D710,021 S 7/2014 Blaine et al.
 D715,452 S 10/2014 Schiavon
 D736,397 S 8/2015 McAviney et al.
 D739,036 S 9/2015 McAviney et al.
 9,186,004 B2 11/2015 Dennewald
 D745,786 S 12/2015 Ko
 D748,406 S 2/2016 Pham
 D751,314 S 3/2016 Meyer

(56)

References Cited

U.S. PATENT DOCUMENTS

D758,100 S * 6/2016 Pham D6/601
D764,062 S 8/2016 Dennewald
D804,598 S * 12/2017 Albert D21/797
D859,664 S * 9/2019 Dennewald D24/183
2004/0006822 A1 1/2004 Milligan
2004/0068799 A1 4/2004 Wilson
2004/0194214 A1 10/2004 Troop
2005/0060807 A1 3/2005 Kaizuka
2005/0177944 A1 8/2005 Kang et al.
2007/0101503 A1 5/2007 Dennewald
2007/0113348 A1 5/2007 Ramaiah
2008/0115284 A1 5/2008 Hiatt
2014/0076330 A1 3/2014 Rolle et al.

FOREIGN PATENT DOCUMENTS

CN 2505048 Y 8/2002
CN 2812877 Y 9/2006
CN 2824881 Y 10/2006
CN 2850576 Y 12/2006

* cited by examiner

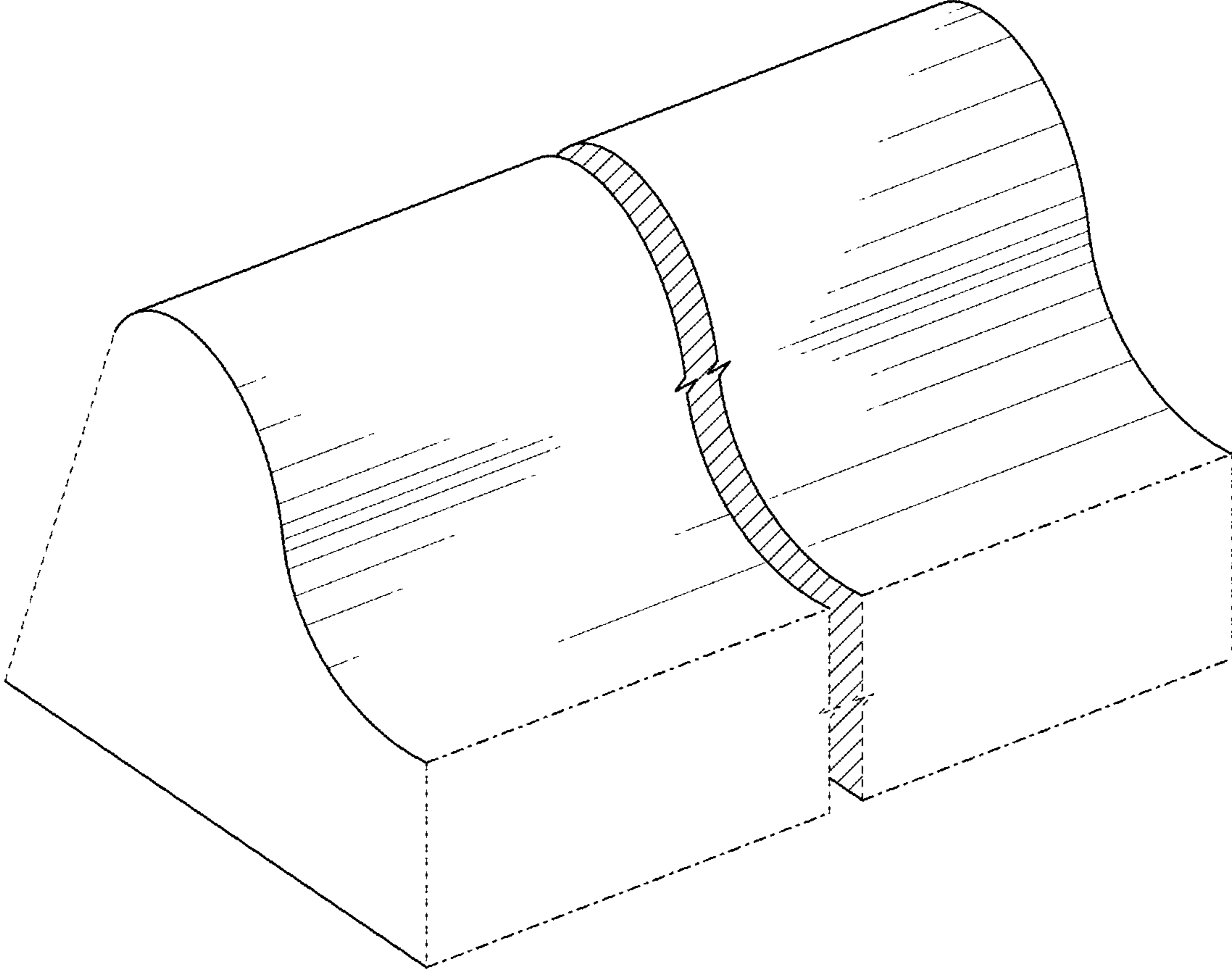


FIG. 1

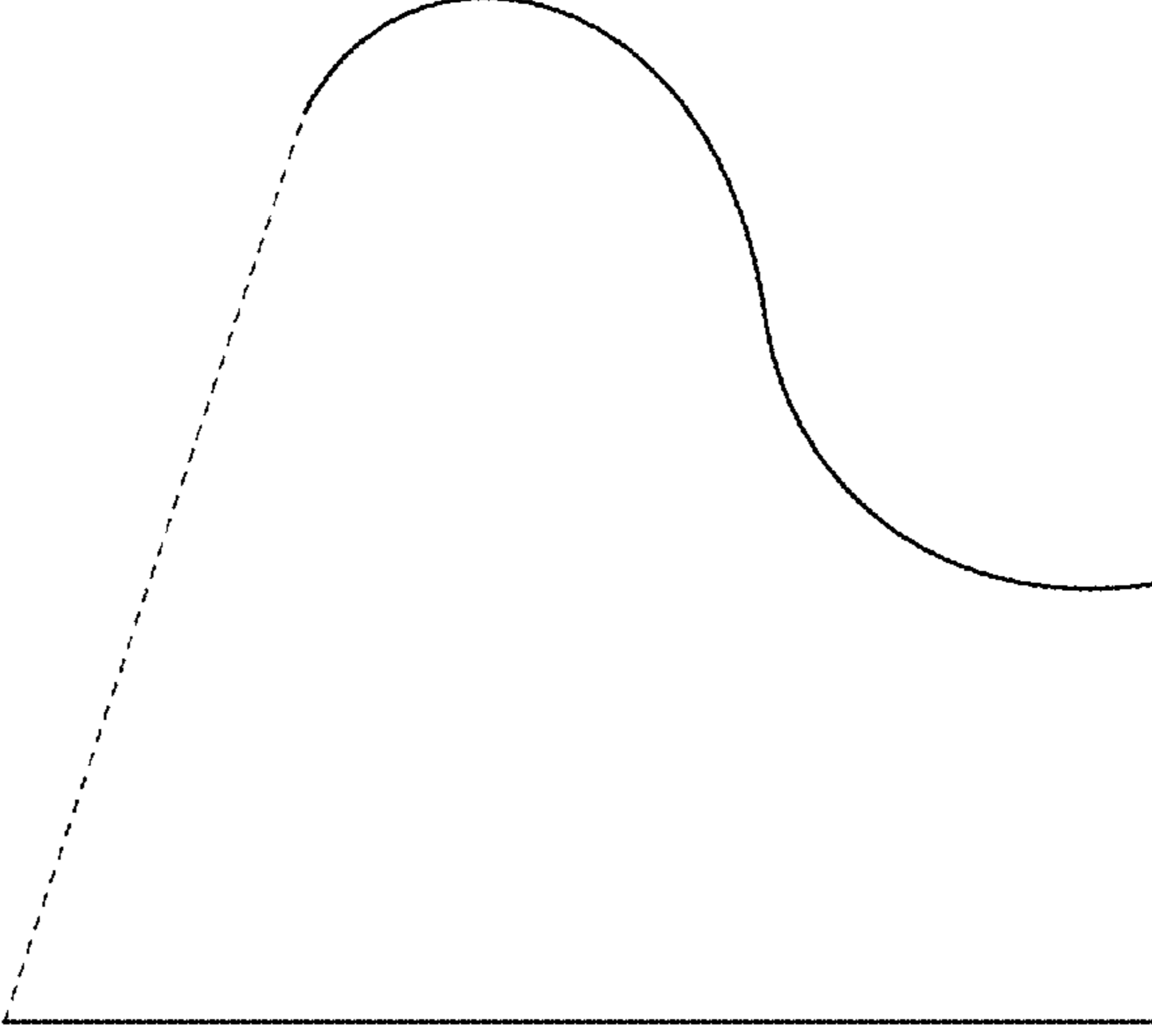


FIG. 2

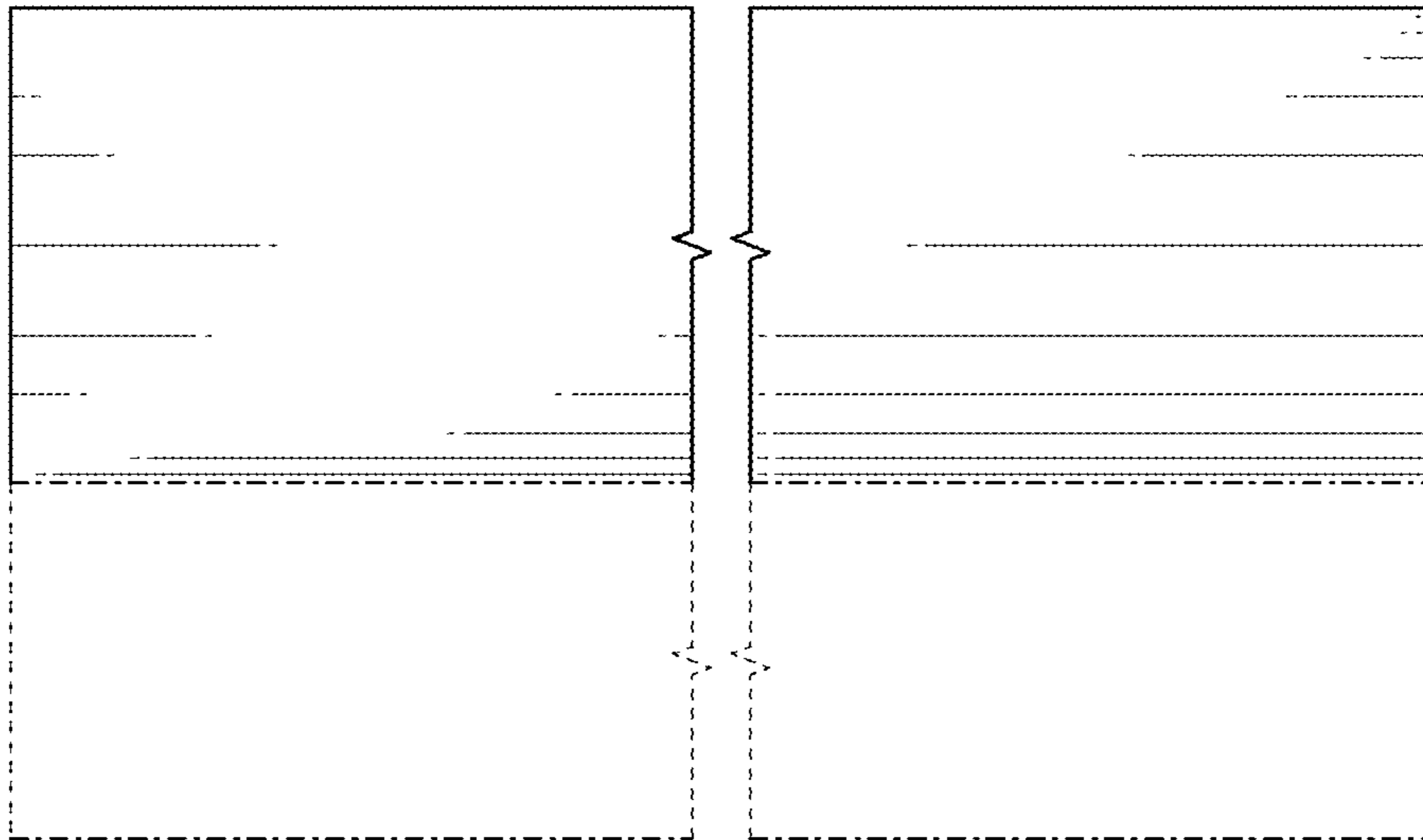


FIG. 3

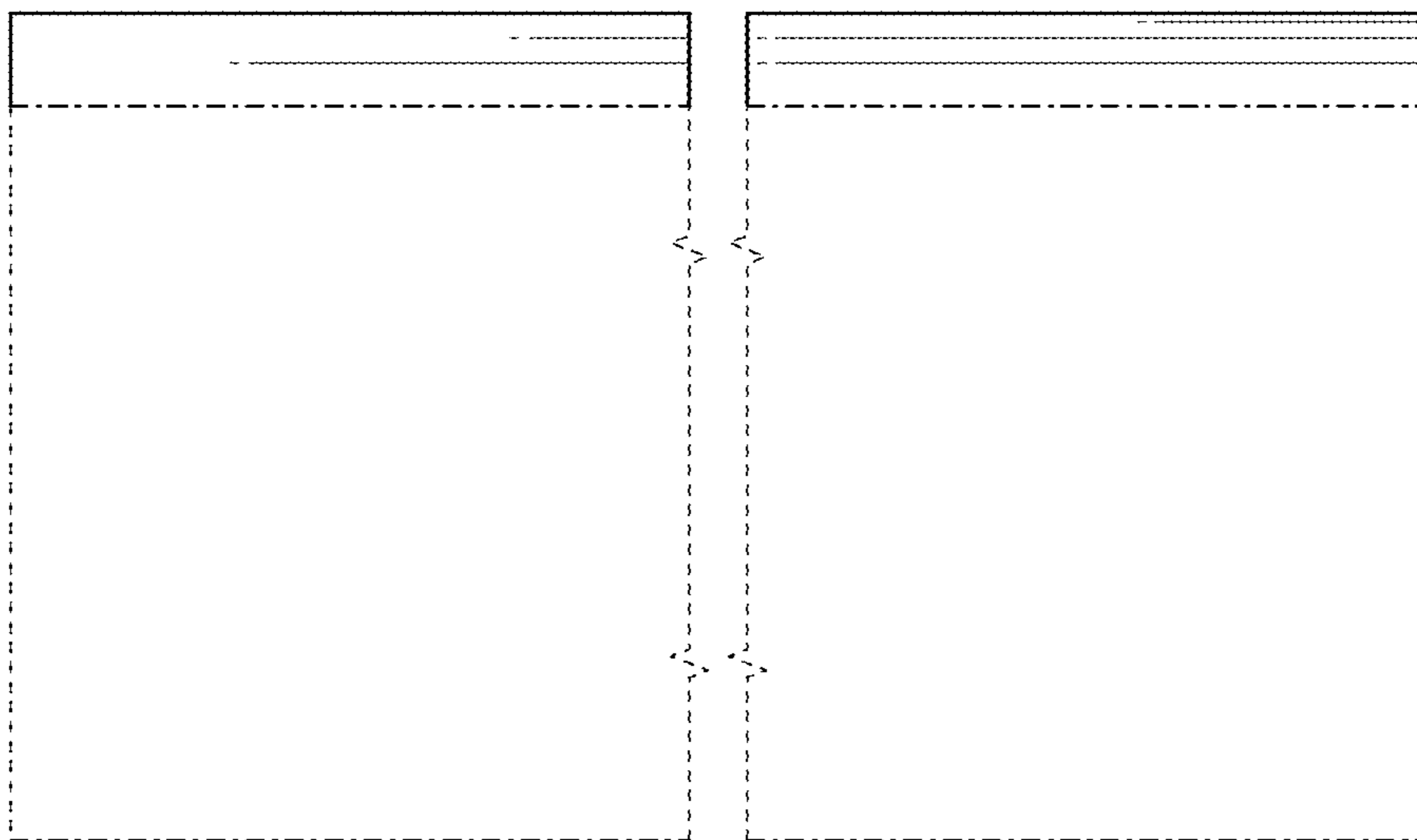


FIG. 4

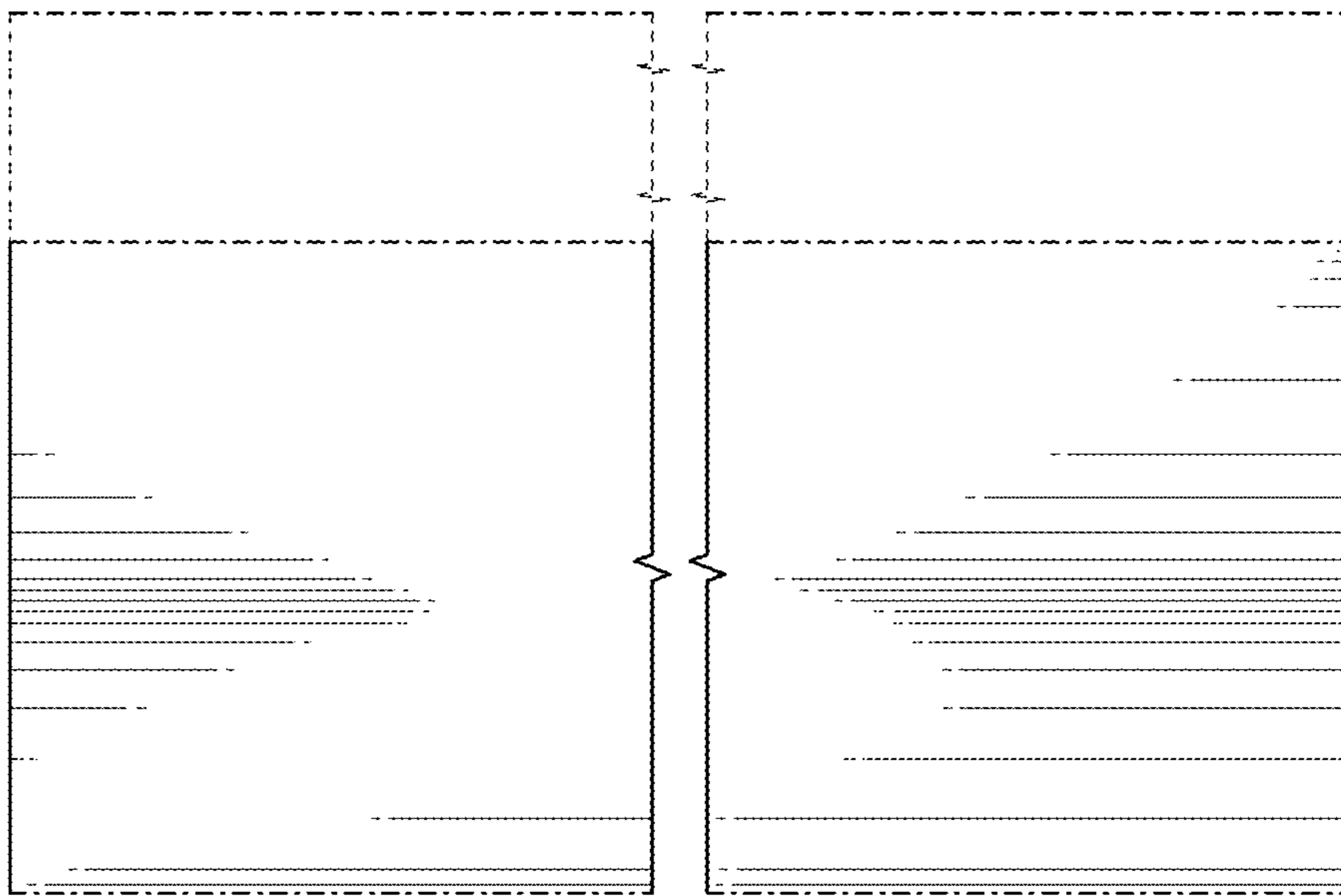


FIG. 5

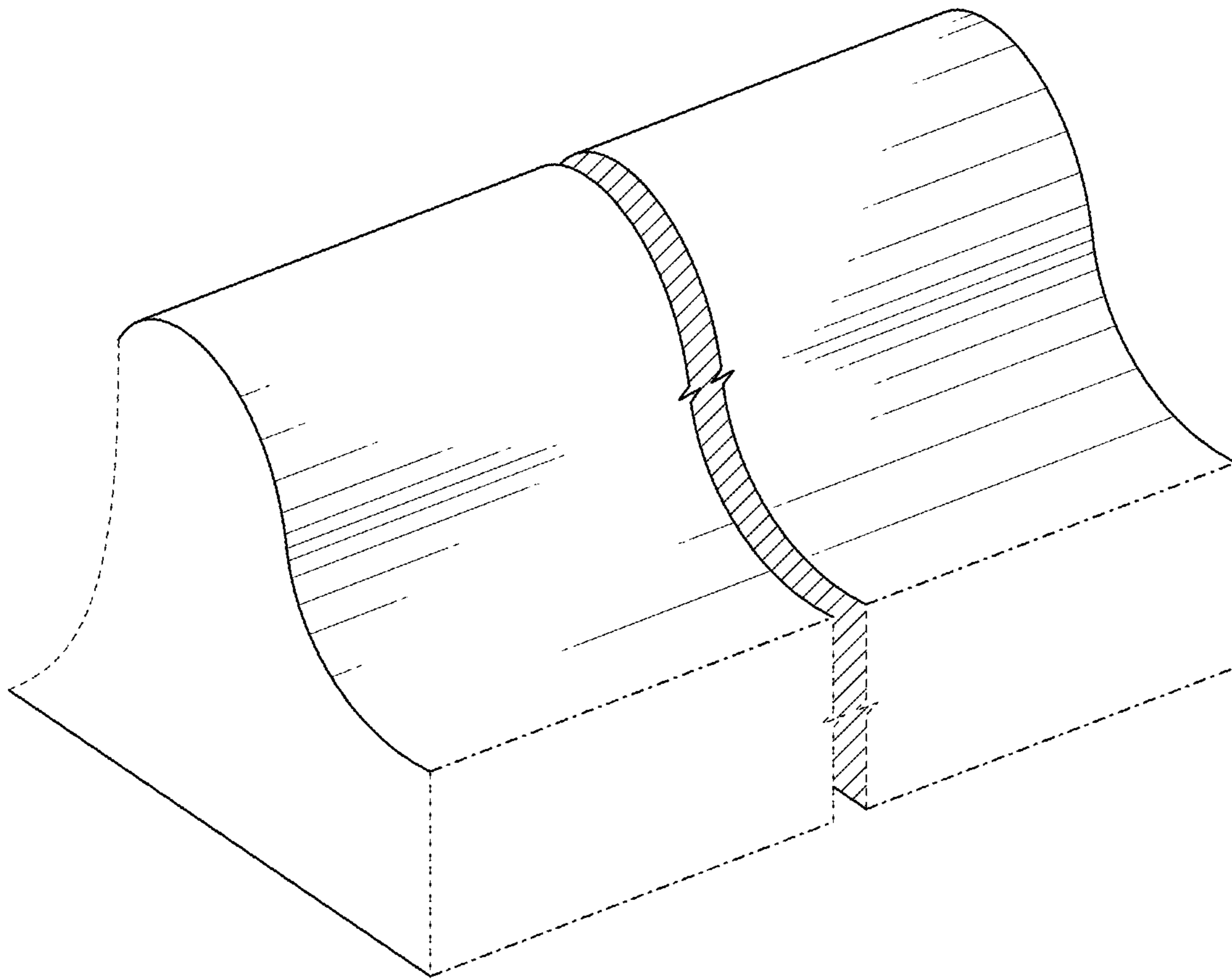


FIG. 6

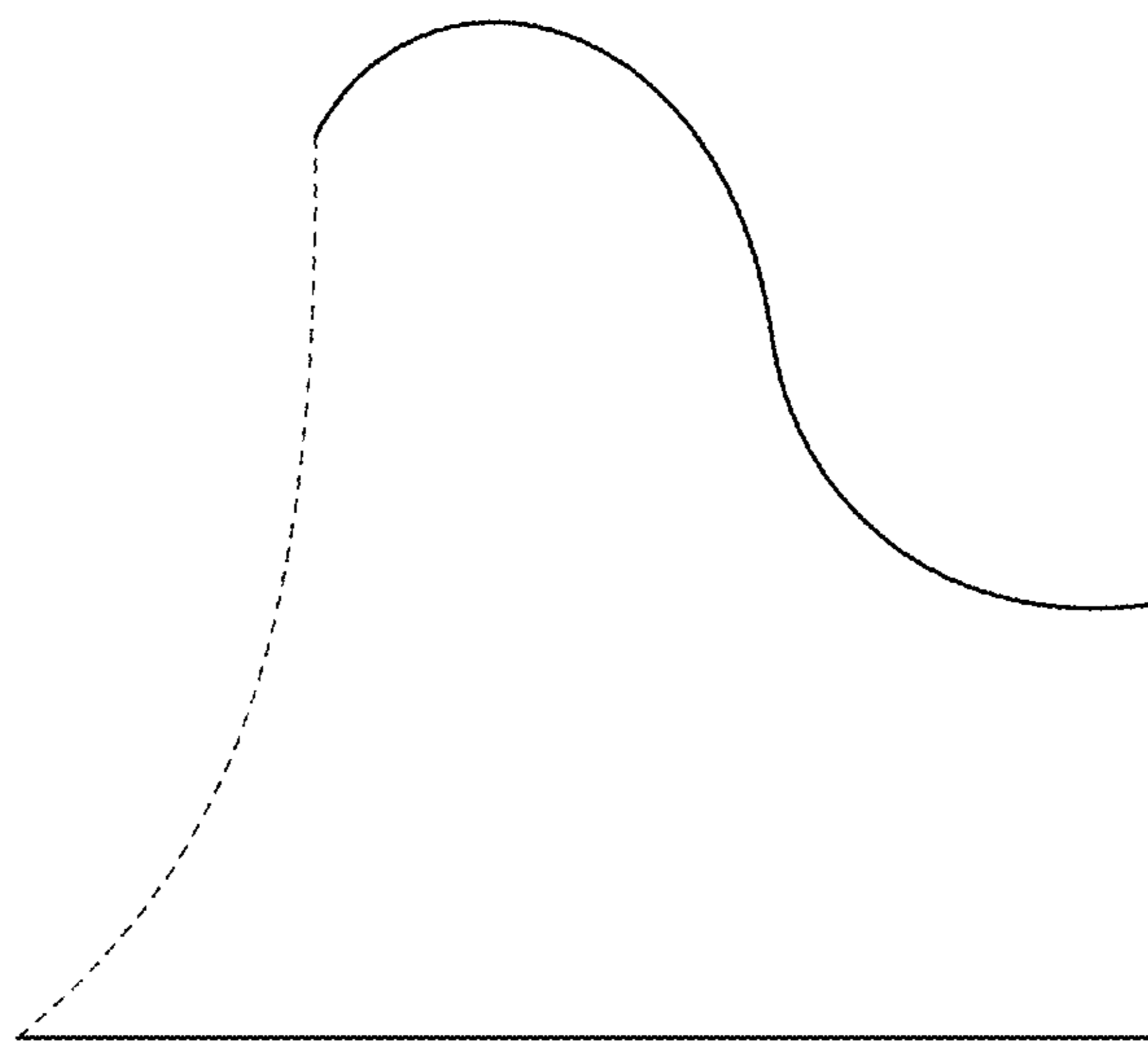


FIG. 7

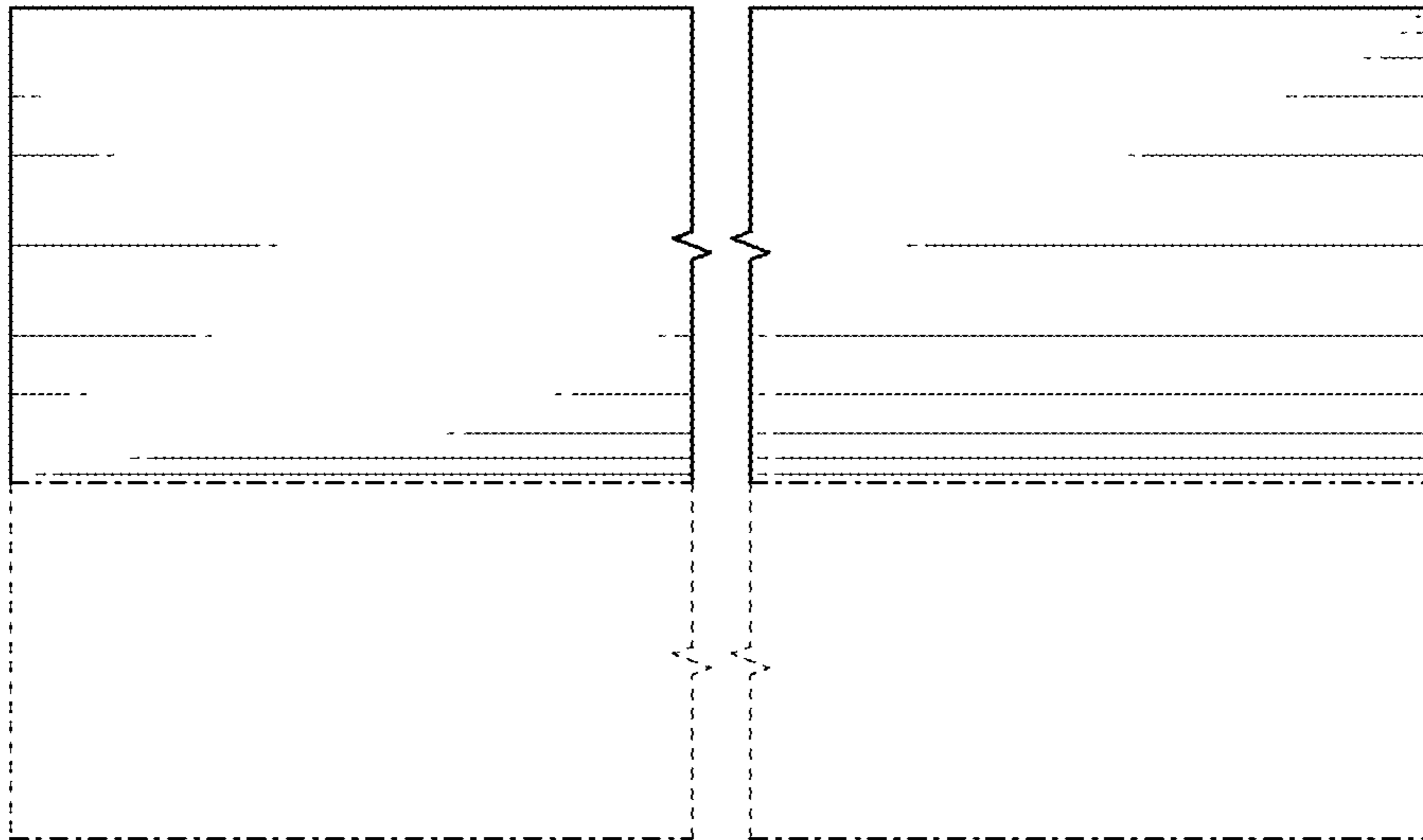


FIG. 8

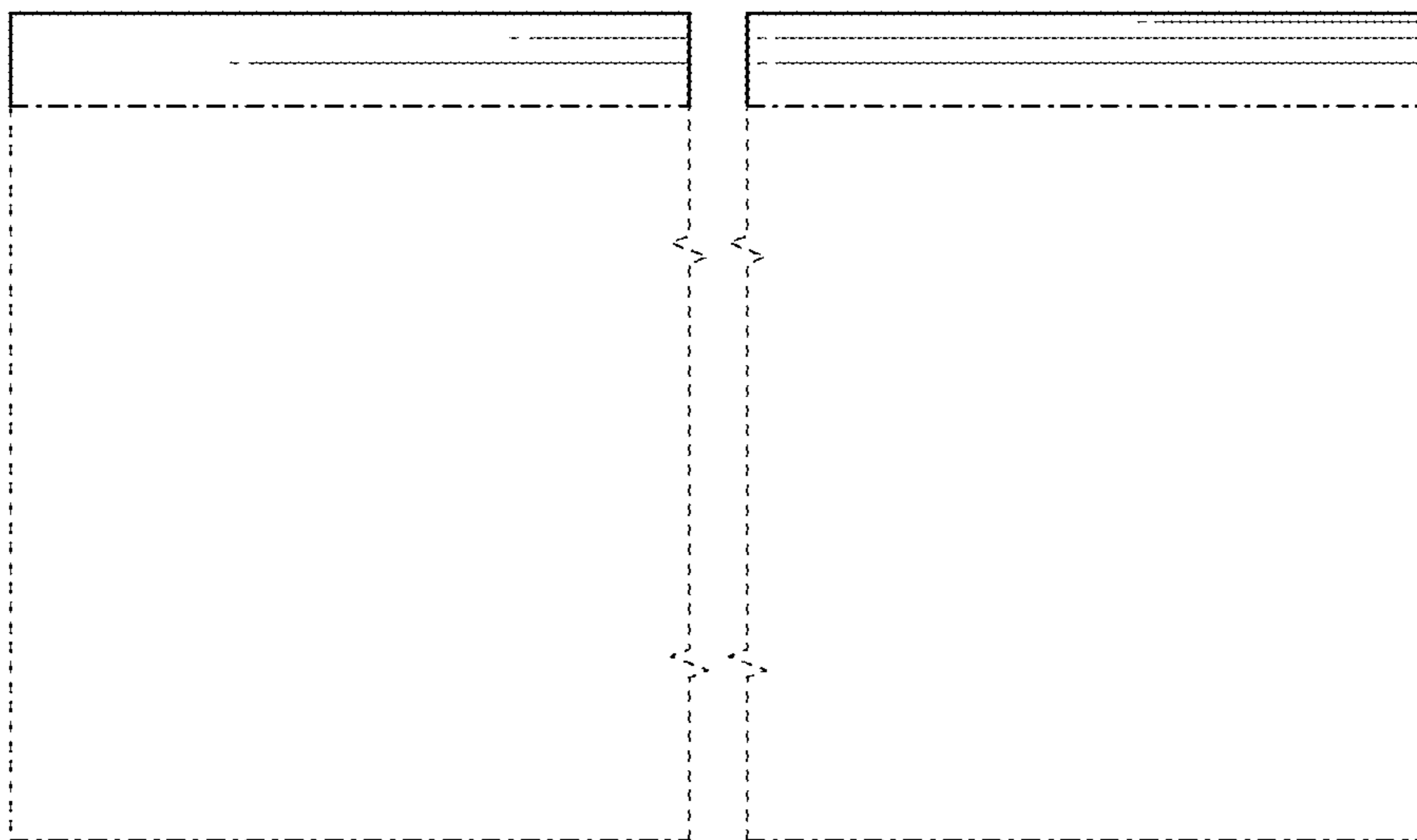


FIG. 9

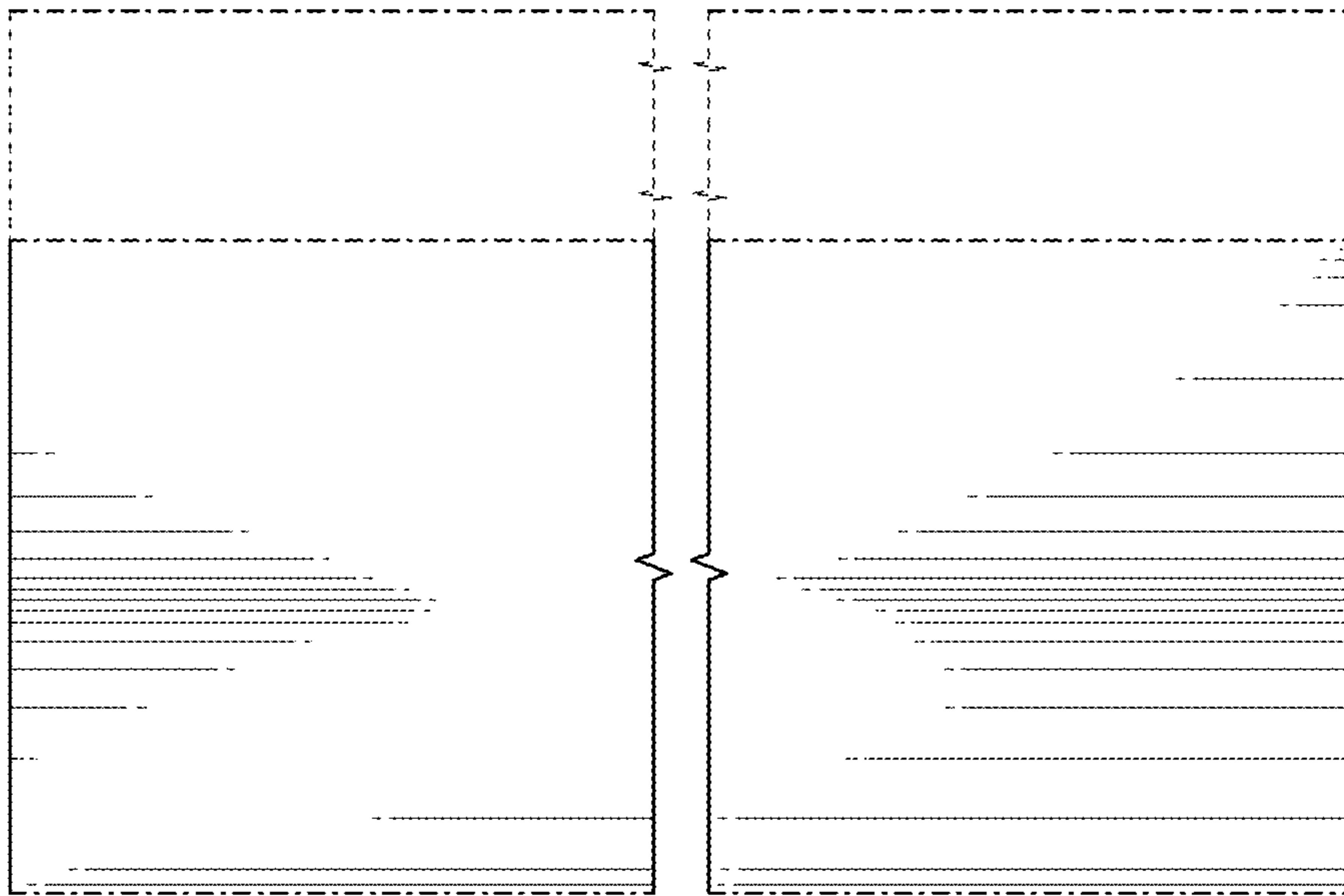


FIG. 10