



US00D943747S

(12) **United States Design Patent** (10) **Patent No.:** **US D943,747 S**  
**Frenkler et al.** (45) **Date of Patent:** **\*\* Feb. 15, 2022**

(54) **DENTAL HANDPIECE MAINTENANCE MACHINE**

8,869,810 B2 \* 10/2014 Pfaffinger ..... A61C 19/002  
134/137

(71) Applicant: **J. MORITA MFG. CORP.**, Kyoto (JP)

9,492,242 B2 \* 11/2016 Pfaffinger ..... A61C 19/002  
9,721,464 B2 \* 8/2017 Magno ..... A61C 19/002

(72) Inventors: **Fritz Frenkler**, Munich (DE); **Anette Ponholzer**, Munich (DE); **Hiroshi Kaneko**, Munich (DE); **Takashi Kondo**, Munich (DE)

2003/0095891 A1 5/2003 O'Neal  
2008/0053480 A1 3/2008 Hancock et al.

(Continued)

**FOREIGN PATENT DOCUMENTS**

(73) Assignee: **J. MORITA MFG. CORP.**, Kyoto (JP)

JP D1321393 2/2008  
JP D1478354 9/2013

(\*\*) Term: **15 Years**

**OTHER PUBLICATIONS**

(21) Appl. No.: **29/734,385**

Dental Handpiece Maintenance Oil System Lubricant Lubricating Device Cleaning Lubrication. Retrieved on Jul. 16, 2021. Retrieved from internet: <https://www.treedental.com/dental-handpiece-maintenance-system-tr-d102.html>.\*

(22) Filed: **May 12, 2020**

(Continued)

**Related U.S. Application Data**

(62) Division of application No. 29/632,203, filed on Jan. 5, 2018, now Pat. No. Des. 887,006.

*Primary Examiner* — Wan Laymon

(74) *Attorney, Agent, or Firm* — Oliff PLC

(30) **Foreign Application Priority Data**

Jul. 5, 2017 (JP) ..... 2017-014529  
Jul. 5, 2017 (JP) ..... 2017-014530

(57) **CLAIM**

The ornamental design for a dental handpiece maintenance machine, as shown and described.

(51) **LOC (13) Cl.** ..... **24-02**

(52) **U.S. Cl.**  
USPC ..... **D24/176**

**DESCRIPTION**

(58) **Field of Classification Search**  
USPC ..... D24/176-182, 221, 232  
CPC ..... A61C 19/002; A61C 2/07; A61C 2/025;  
A61C 2/26  
See application file for complete search history.

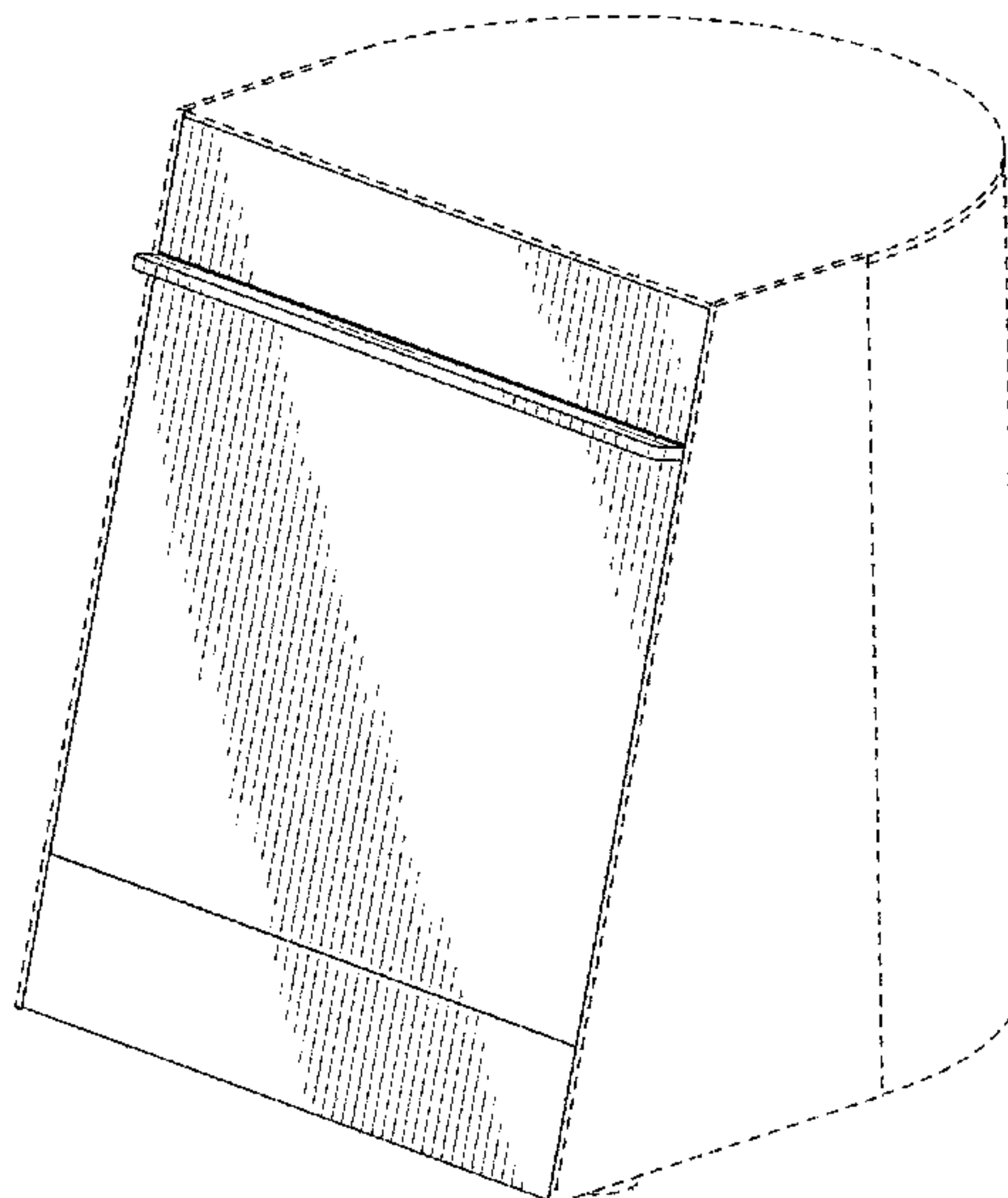
FIG. 1 is a front view of a dental handpiece maintenance machine of the present design;  
FIG. 2 is a rear view thereof;  
FIG. 3 is a right side view thereof;  
FIG. 4 is a left side view thereof;  
FIG. 5 is a top view thereof;  
FIG. 6 is a bottom view thereof; and,  
FIG. 7 is a perspective view thereof.  
The broken lines shown in the drawings represent portions of the dental handpiece maintenance machine that form no part of the claimed design.

(56) **References Cited**

**U.S. PATENT DOCUMENTS**

5,520,892 A 5/1996 Bowen  
7,018,592 B2 3/2006 Bowen  
D554,757 S 11/2007 Haymann et al.  
D703,343 S 4/2014 Biswas et al.

**1 Claim, 7 Drawing Sheets**



(56)

**References Cited**

U.S. PATENT DOCUMENTS

2012/0031445 A1\* 2/2012 Prevail ..... A61C 19/002  
134/57 R  
2015/0021211 A1 1/2015 Chastain  
2017/0069199 A1 3/2017 Magno et al.  
2018/0353275 A1 12/2018 St. Louis et al.  
2019/0209279 A1 7/2019 Galluseder et al.

OTHER PUBLICATIONS

Automatic Handpiece Maintenance System Retrieved on Oct. 2,  
2019. Retrieved from the Internet [https://flightdentalsystems.com/  
product/automatic-handpiece-maintenace-system/](https://flightdentalsystems.com/product/automatic-handpiece-maintenace-system/).

\* cited by examiner

FIG. 1

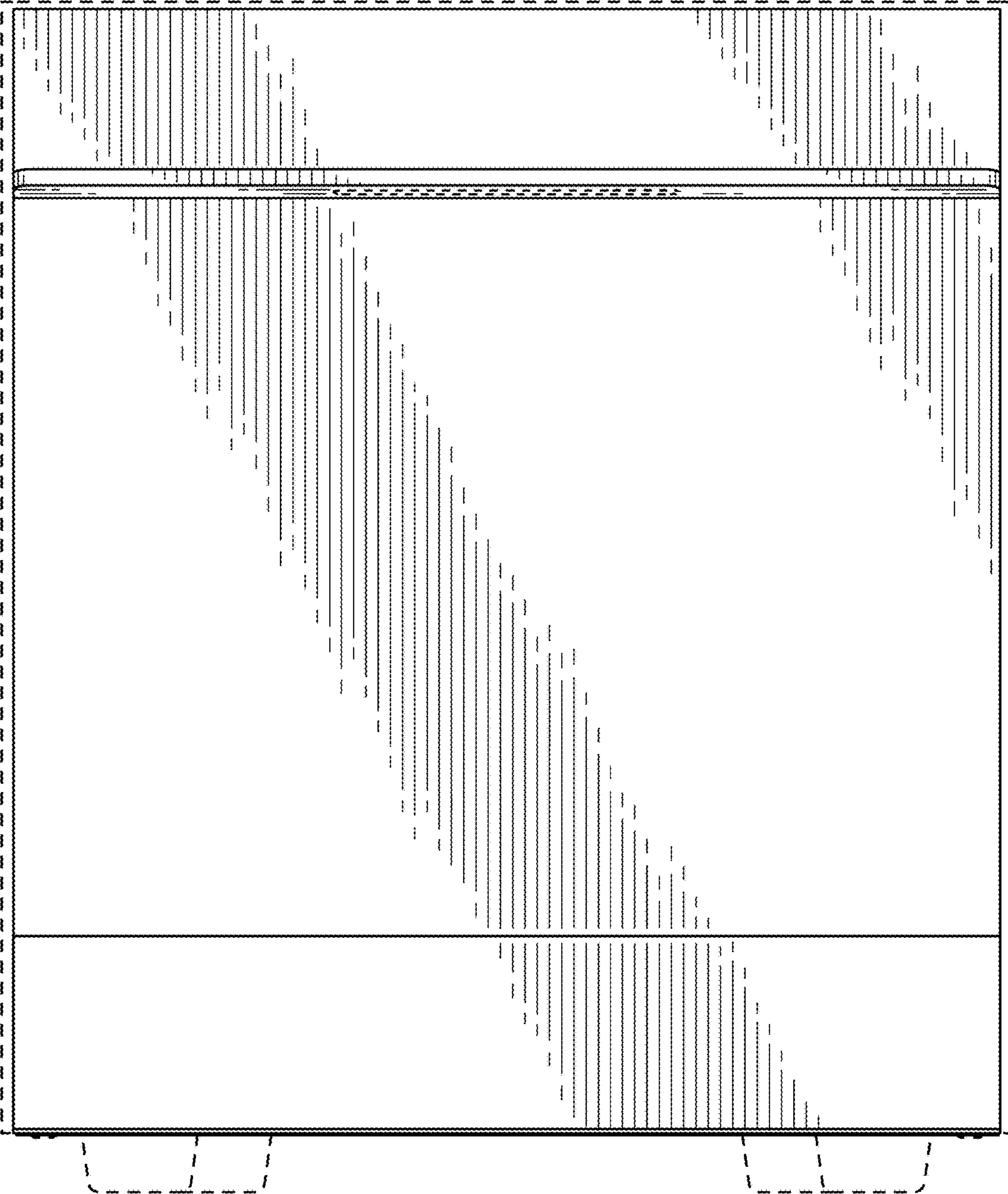


FIG. 2

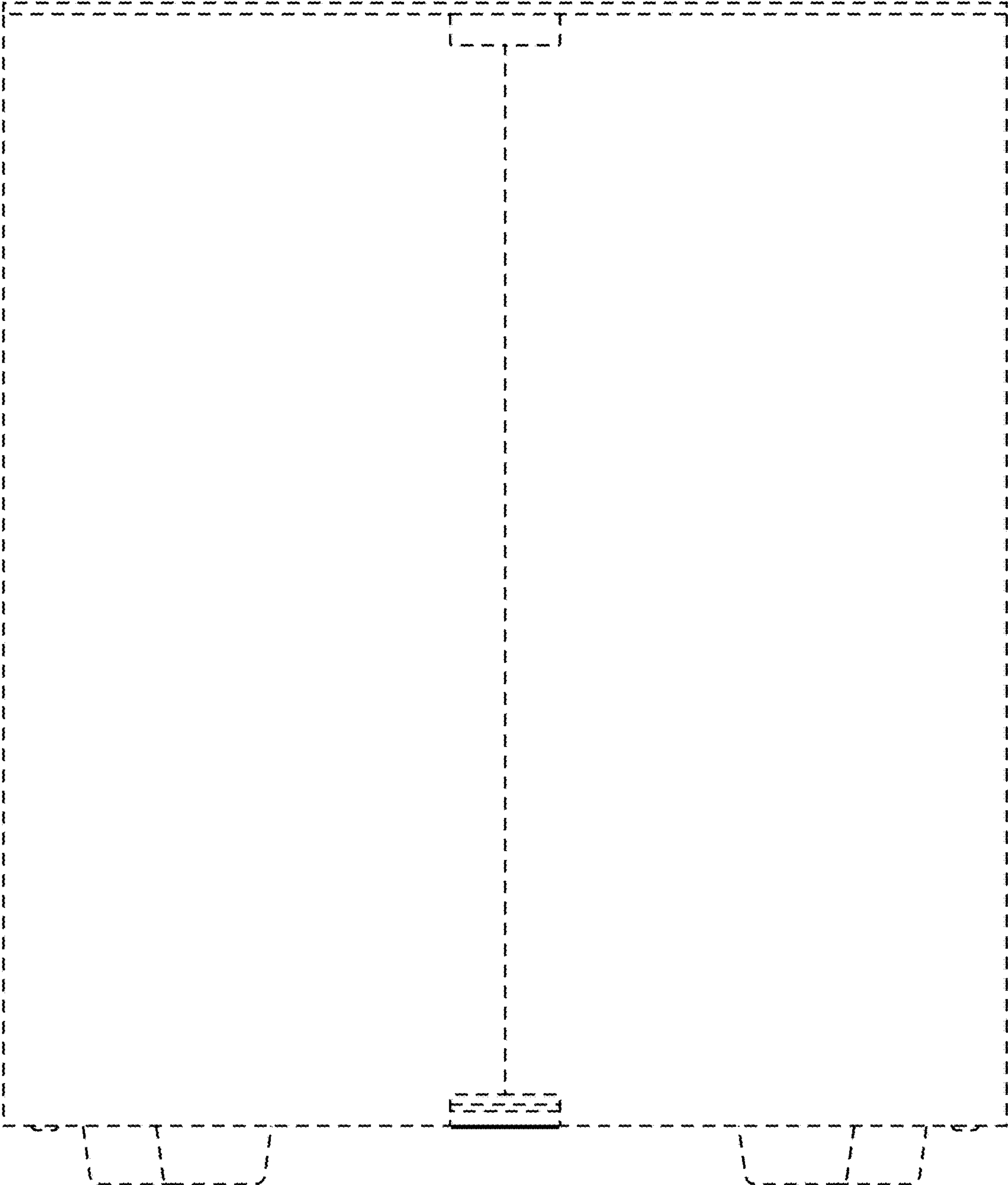


FIG. 3

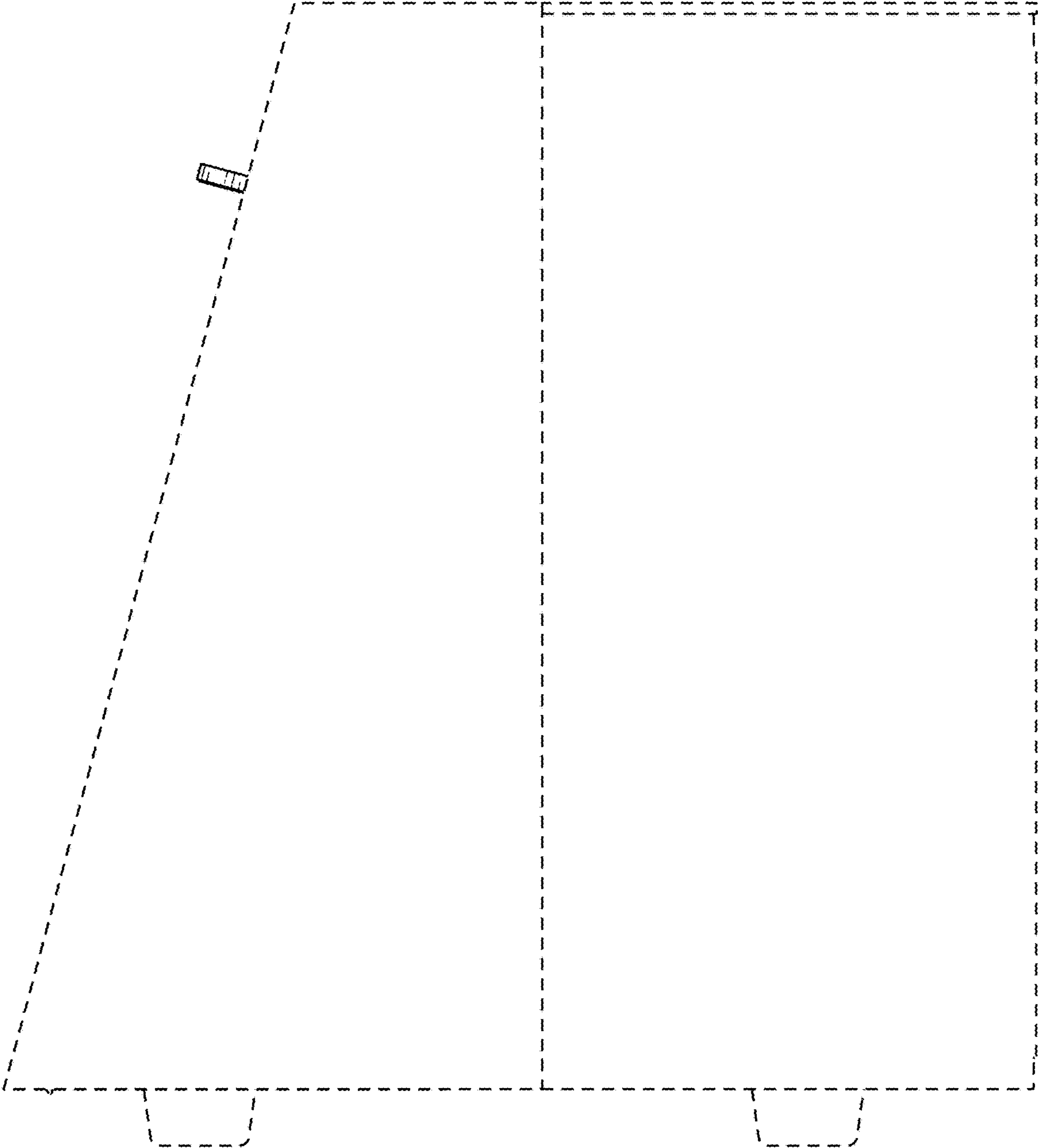


FIG. 4

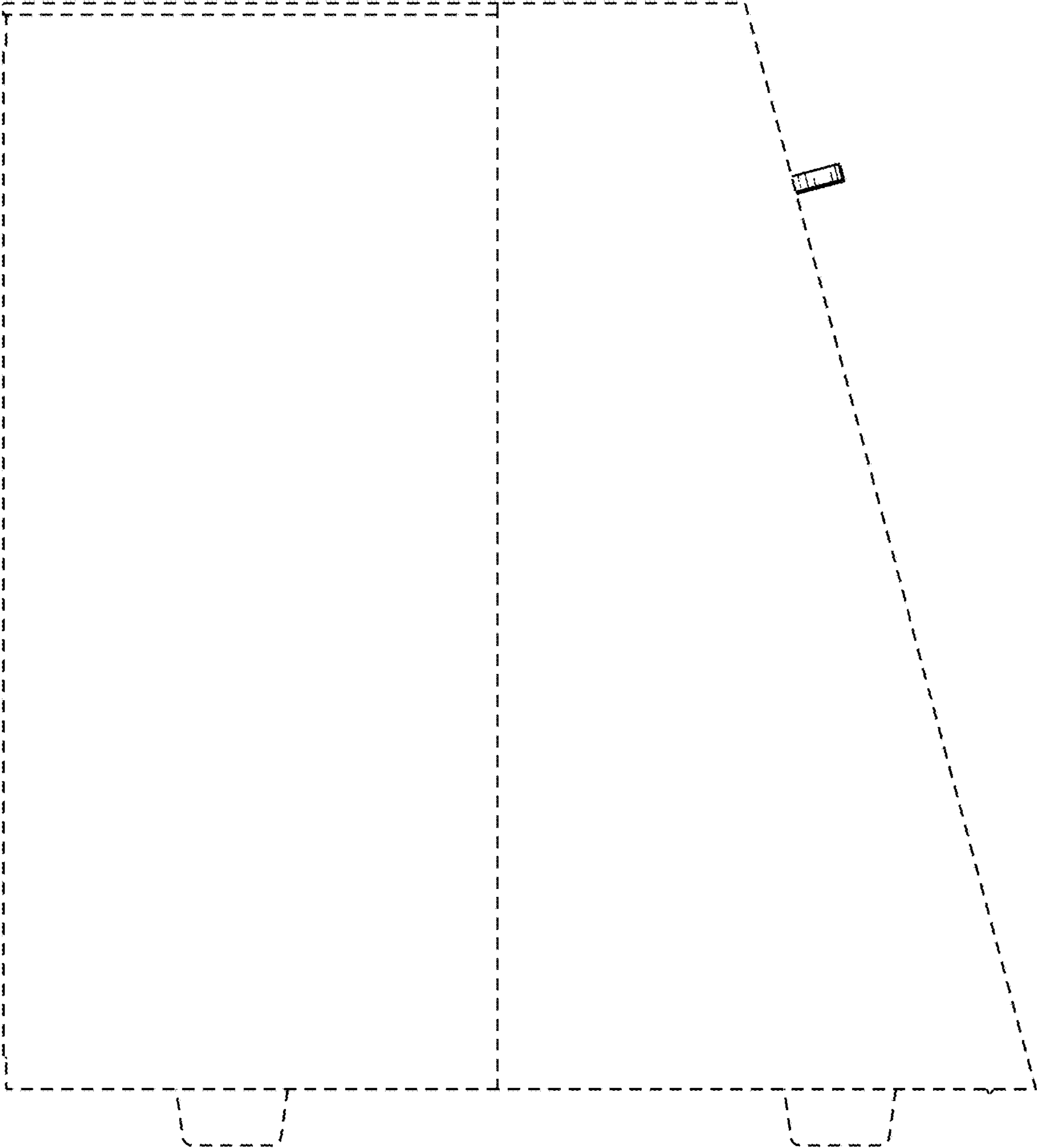


FIG. 5

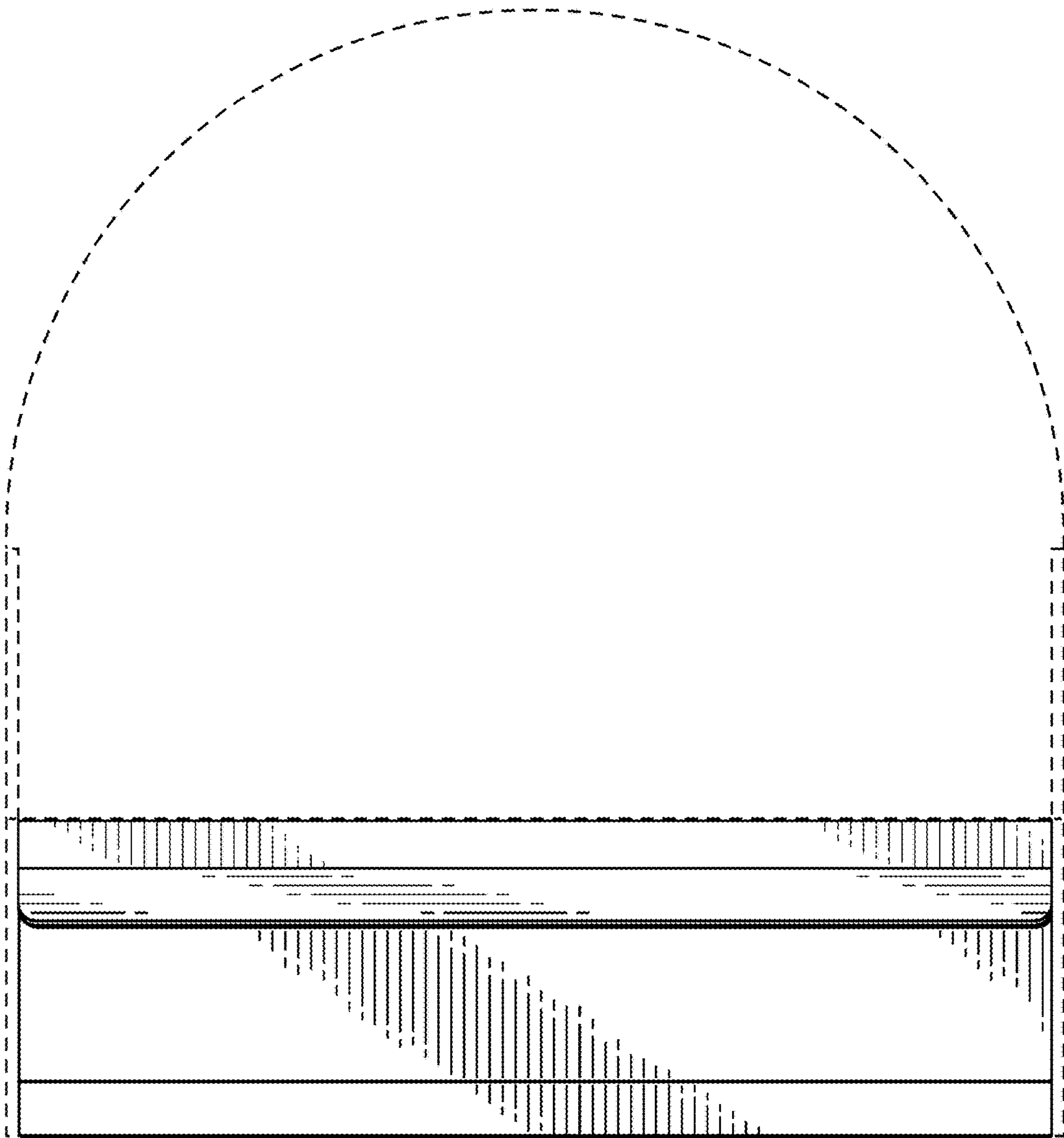




FIG. 6

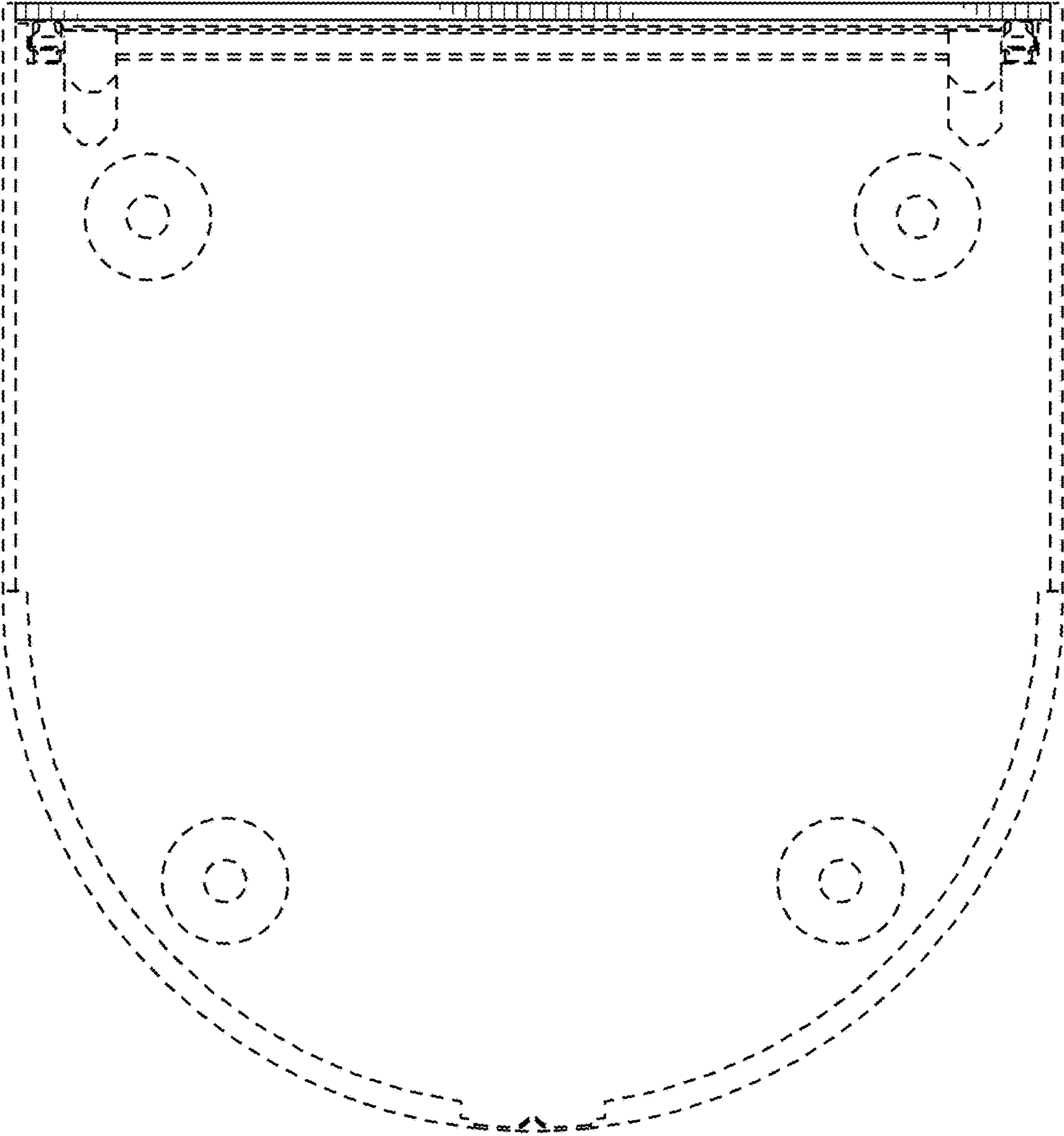




FIG. 7

