



US00D943744S

(12) **United States Design Patent** (10) **Patent No.:** **US D943,744 S**
Yang (45) **Date of Patent:** **** Feb. 15, 2022**

(54) **TATTOO MACHINE**

D910,846 S 2/2021 Siciliano
2018/0369553 A1* 12/2018 Siciliano A61M 37/0076

(71) Applicant: **Yiwu Jianzhou Trading Co., Ltd.**,
Zhejiang (CN)

* cited by examiner

(72) Inventor: **Can Yang**, Jiangxi (CN)

Primary Examiner — Wan Laymon

(74) *Attorney, Agent, or Firm* — ScienBiziP, P.C.

(73) Assignee: **Yiwu Jianzhou Trading Co., Ltd.**,
Zhejiang (CN)

(**) Term: **15 Years**

(57) **CLAIM**

(21) Appl. No.: **29/780,420**

The ornamental design for a tattoo machine, as shown and described.

(22) Filed: **Apr. 23, 2021**

DESCRIPTION

(51) **LOC (13) Cl.** **24-02**

(52) **U.S. Cl.**
USPC **D24/144**

(58) **Field of Classification Search**
USPC D24/144, 146, 133
CPC A61M 37/0078; A61M 37/0084; A61M
37/00; A61M 37/0092; A61M 5/46;
A61M 5/48; A61M 5/482; A61M 5/2466
See application file for complete search history.

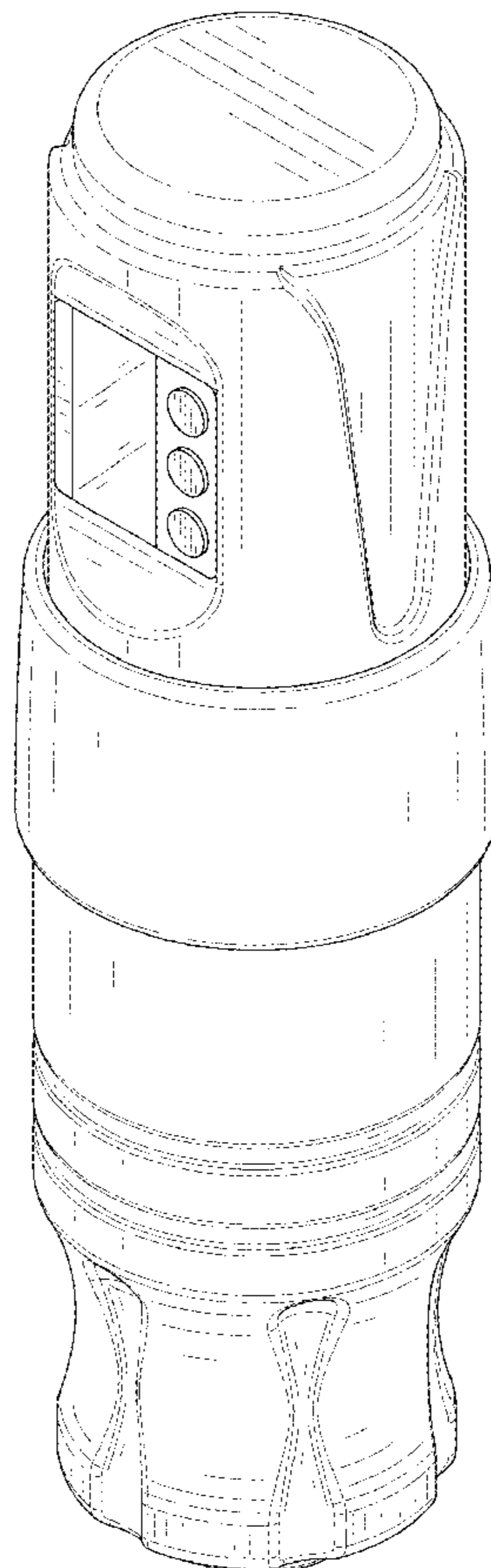
FIG. 1 is a front, right, and top perspective view of a tattoo machine, showing my design.
FIG. 2 is a rear, left, and bottom perspective view thereof.
FIG. 3 is a front elevation view thereof.
FIG. 4 is a rear elevation view thereof.
FIG. 5 is a left side elevation view thereof.
FIG. 6 is a right side elevation view thereof.
FIG. 7 is a top plan view thereof; and,
FIG. 8 is a bottom plan view thereof.
The broken lines shown in the drawings are included for the purpose of illustrating portions of the tattoo machine that form no part of the claimed design.

(56) **References Cited**

U.S. PATENT DOCUMENTS

D901,685 S * 11/2020 Wang D24/144
D910,175 S 2/2021 Tegowski et al.

1 Claim, 8 Drawing Sheets



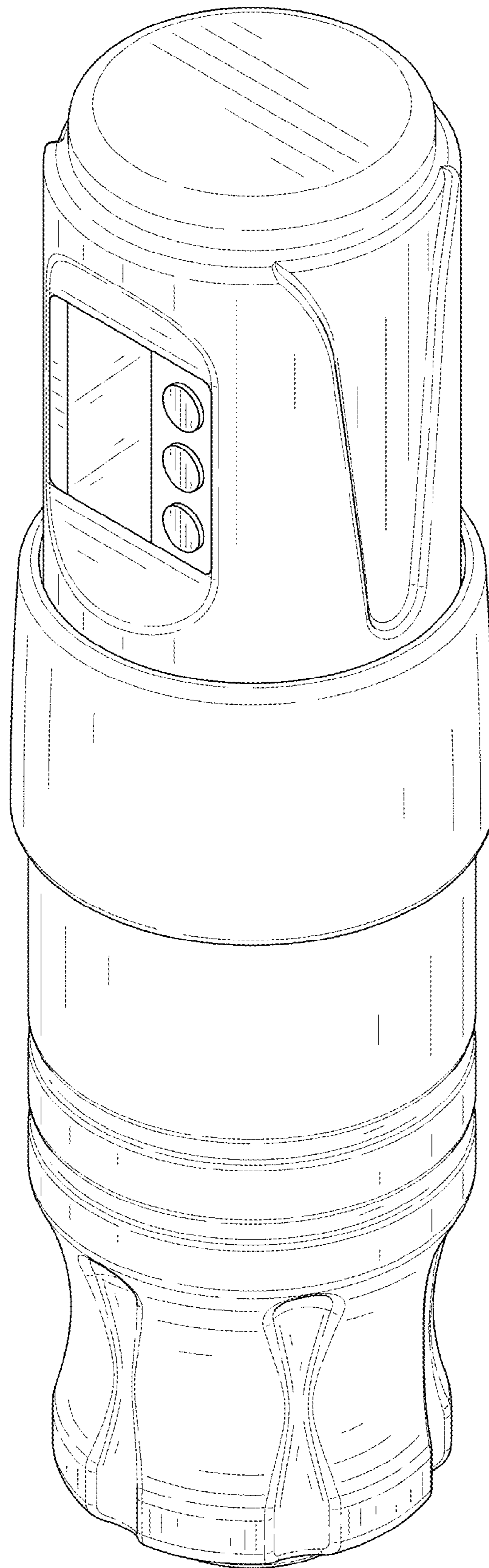


FIG. 1

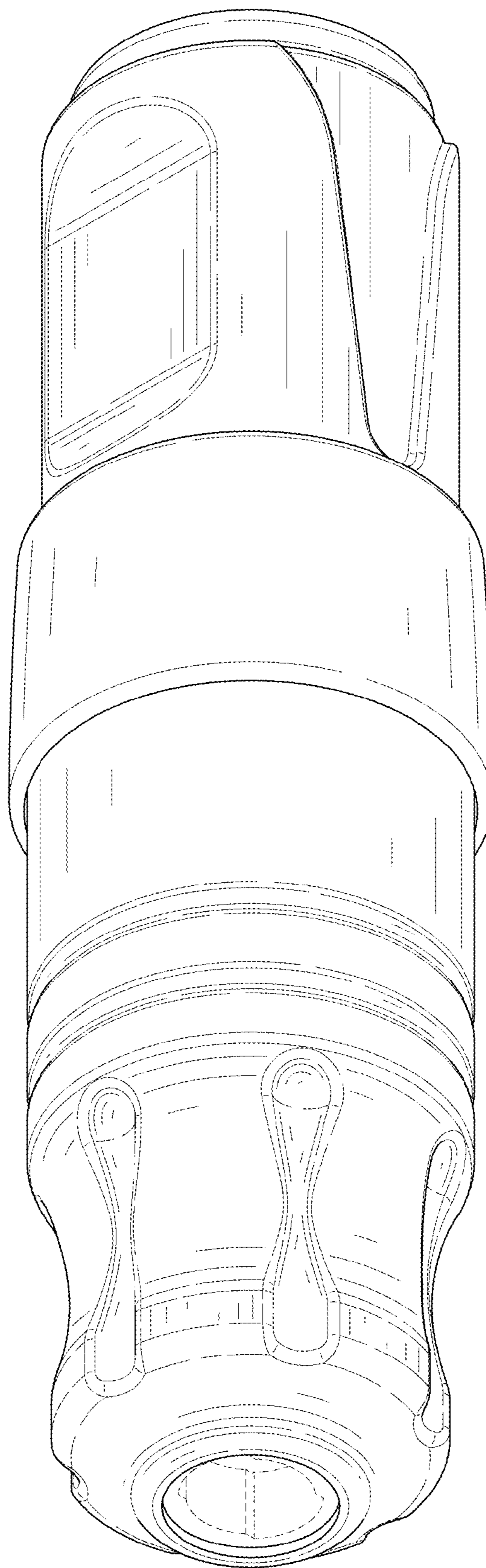


FIG. 2

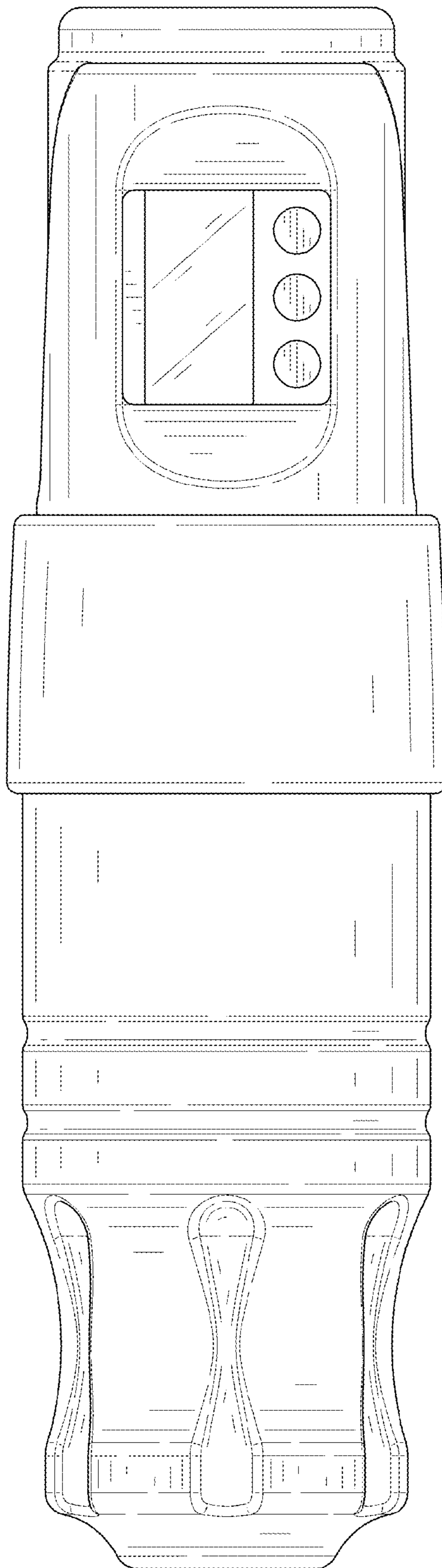


FIG. 3

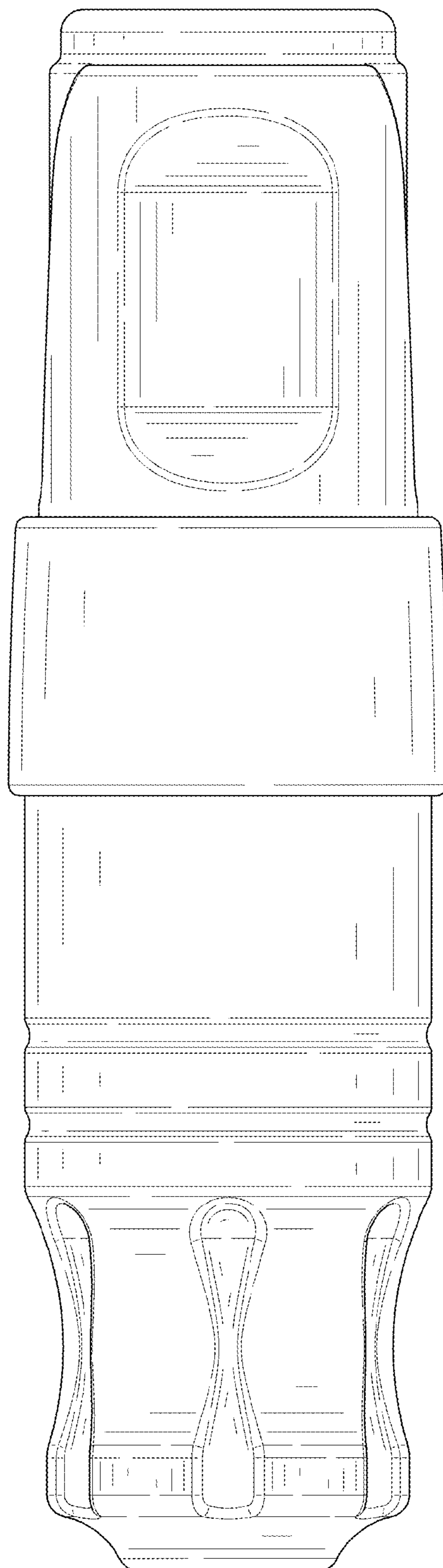


FIG. 4

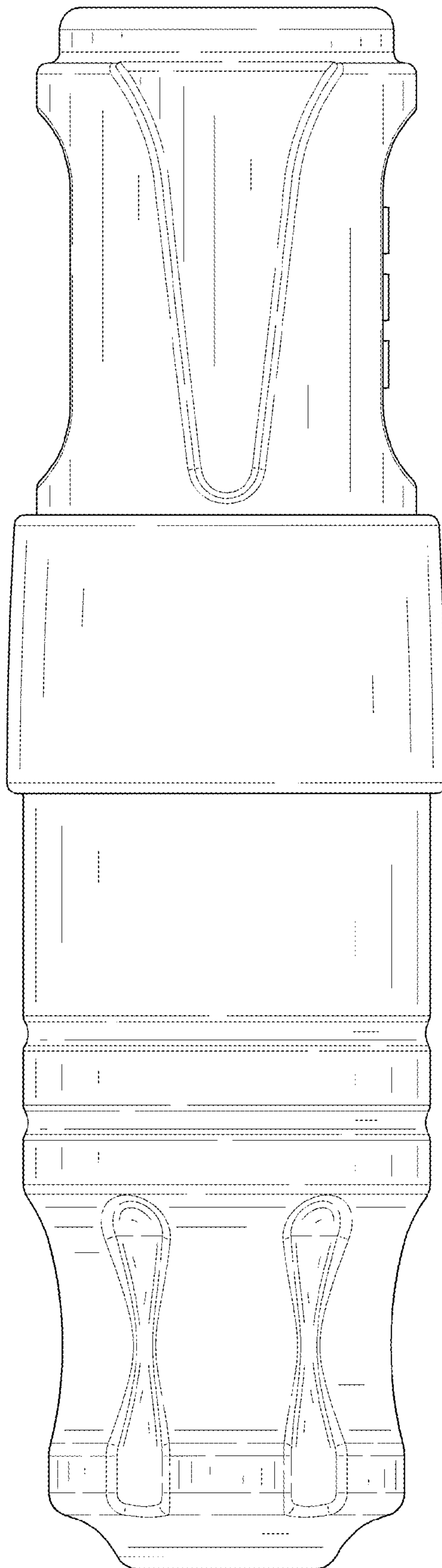


FIG. 5

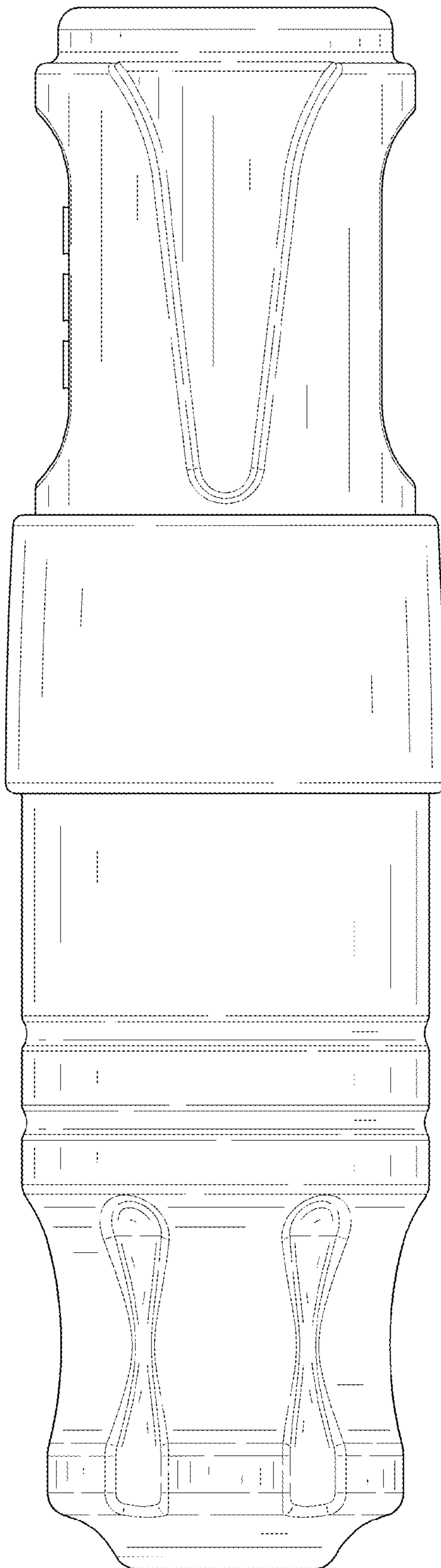


FIG. 6

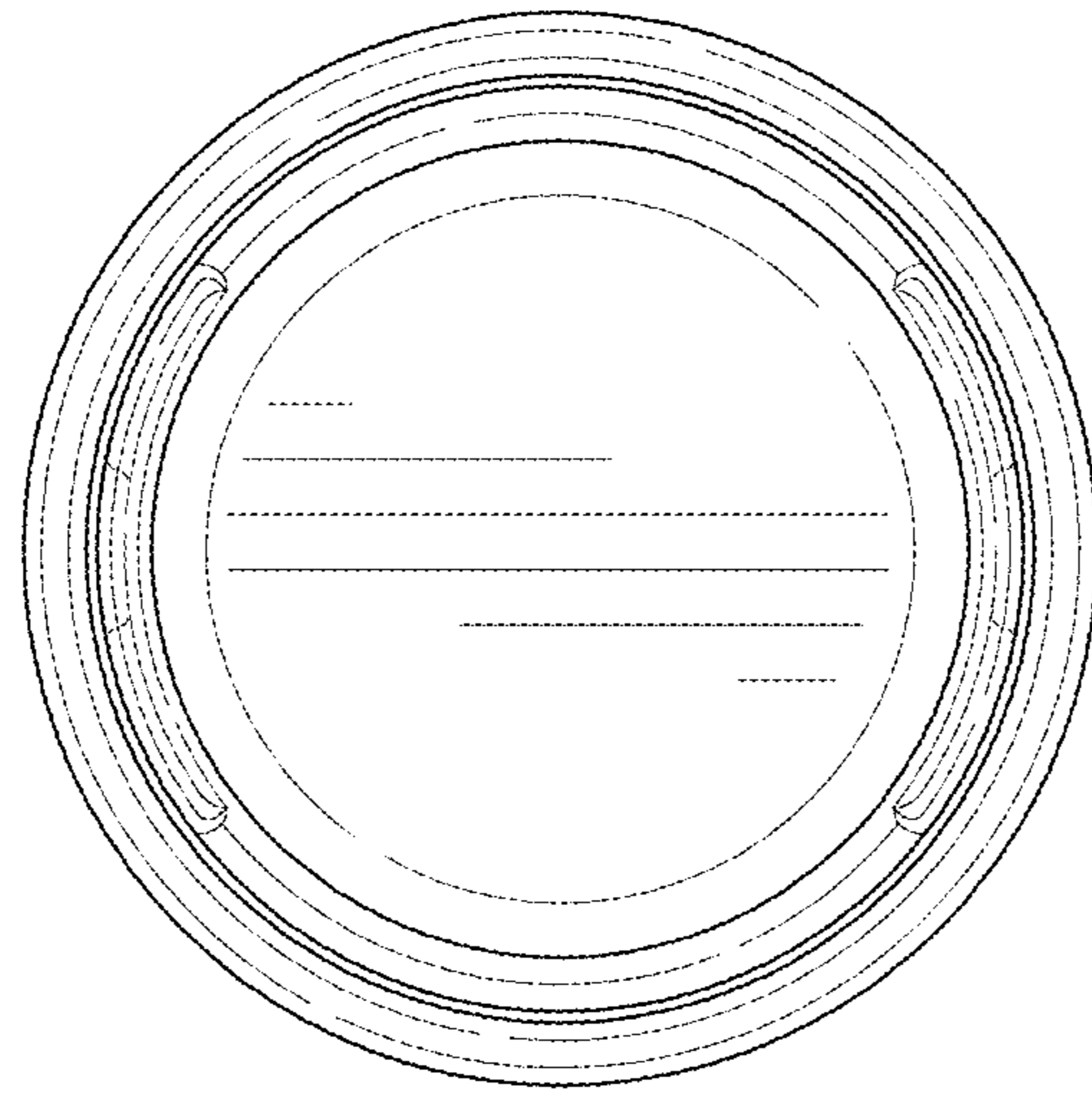


FIG. 7

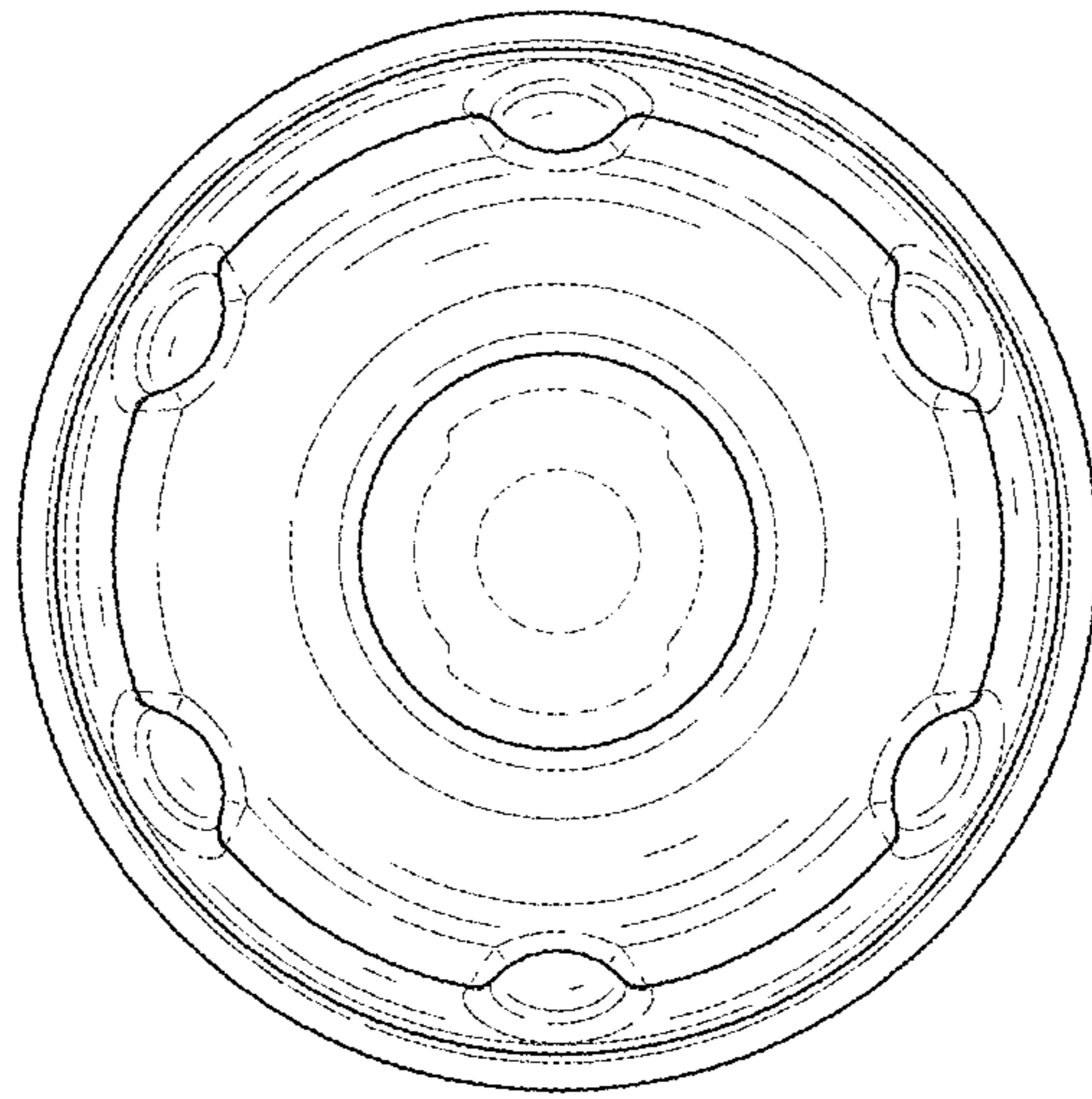


FIG. 8