



US00D943742S

(12) **United States Design Patent** (10) **Patent No.:** **US D943,742 S**  
**Norenstam et al.** (45) **Date of Patent:** **\*\* Feb. 15, 2022**

- (54) **GUIDE FOR SUTURING NEEDLE**
- (71) Applicant: **Suturion AB**, Ramlösa (SE)
- (72) Inventors: **Rickard Norenstam**, Löddeköpinge (SE); **Mats Christensson**, Staffanstorp (SE); **Gabriel Börner**, Ramlösa (SE)
- (73) Assignee: **Suturion AB**, Ramlösa (SE)
- (\*\*) Term: **15 Years**
- (21) Appl. No.: **29/780,834**
- (22) Filed: **Apr. 27, 2021**

D678,783 S	3/2013	Wilcox et al.	
D749,728 S	2/2016	Brannon	
D794,784 S	8/2017	Bradley et al.	
D868,988 S	12/2019	Lieberman et al.	
D904,610 S	12/2020	Dacosta et al.	
D915,588 S *	4/2021	Dacosta	D24/140
D919,806 S *	5/2021	Norenstam	D24/140
2016/0095589 A1	4/2016	Sherwinter	

\* cited by examiner

*Primary Examiner* — Bridget L Eland  
 (74) *Attorney, Agent, or Firm* — Dinsmore & Shohl LLP

(57) **CLAIM**

The ornamental design for a guide for suturing needle, as shown and described.

**DESCRIPTION**

FIG. 1 is a front perspective view of a guide for suturing needle in accordance with the present invention;  
 FIG. 2 is a back perspective view of the guide for suturing needle of FIG. 1;  
 FIG. 3 is a front view of the guide for suturing needle of FIGS. 1 and 2;  
 FIG. 4 is a side view of the guide for suturing needle of FIGS. 1-3, the opposite side view being a mirror image thereof; and,  
 FIG. 5 is an end view of the guide for suturing needle of FIGS. 1-4.  
 The broken lines are directed to environment and are for illustrative purposes only; the broken lines form no part of the claimed design.

**1 Claim, 4 Drawing Sheets**

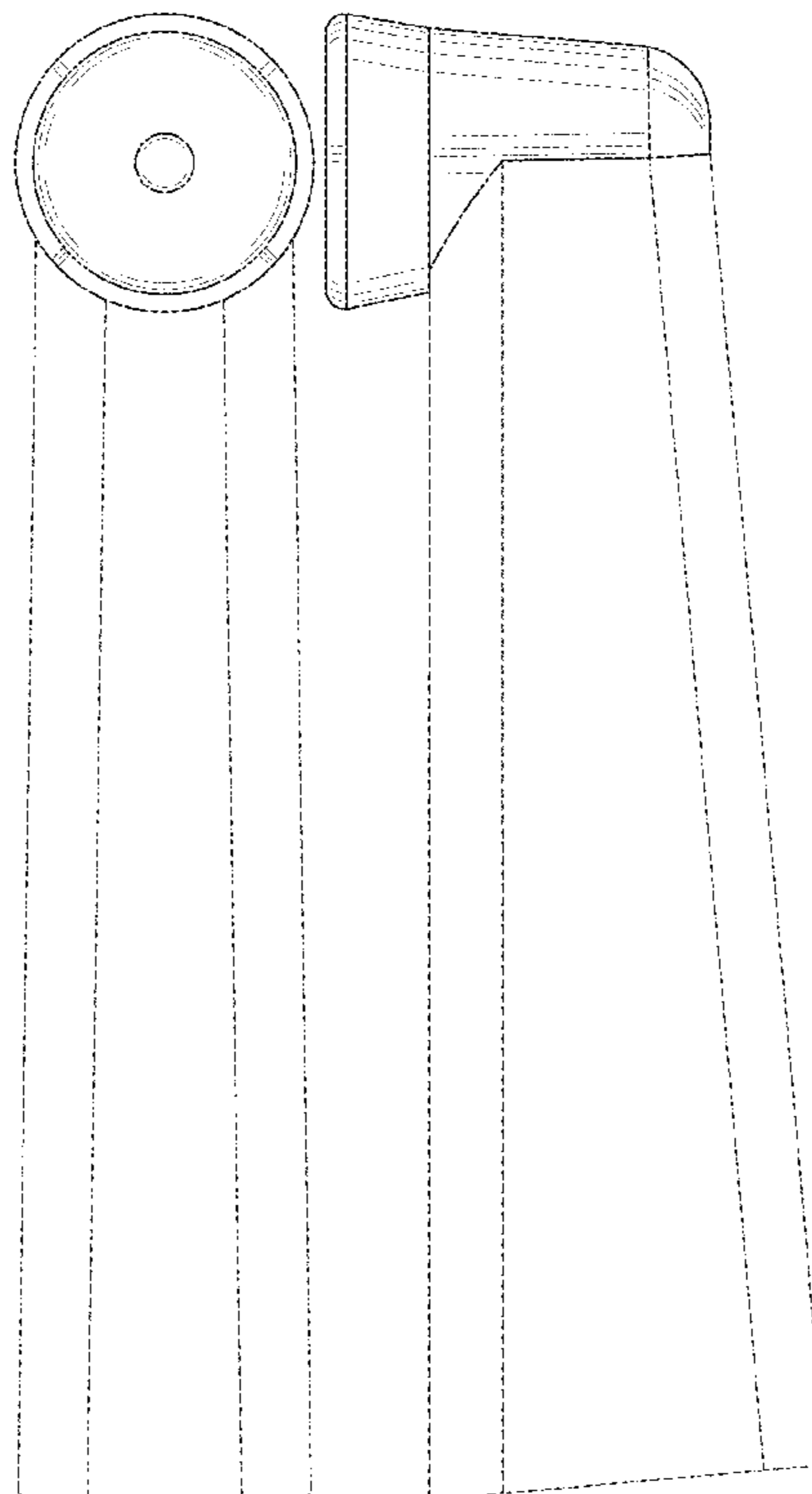
**Related U.S. Application Data**

- (62) Division of application No. 29/702,343, filed on Aug. 19, 2019, now Pat. No. Des. 919,806.
- (51) **LOC (13) Cl.** ..... **24-02**
- (52) **U.S. Cl.**  
USPC ..... **D24/140**
- (58) **Field of Classification Search**  
USPC ..... D24/140, 135, 133  
CPC ..... A61B 17/0482; A61B 17/1227; A61B 17/00234  
See application file for complete search history.

**References Cited**

**U.S. PATENT DOCUMENTS**

D407,488 S	3/1999	Injev
D604,855 S	11/2009	Shearlaw et al.
D667,548 S	9/2012	Brannon



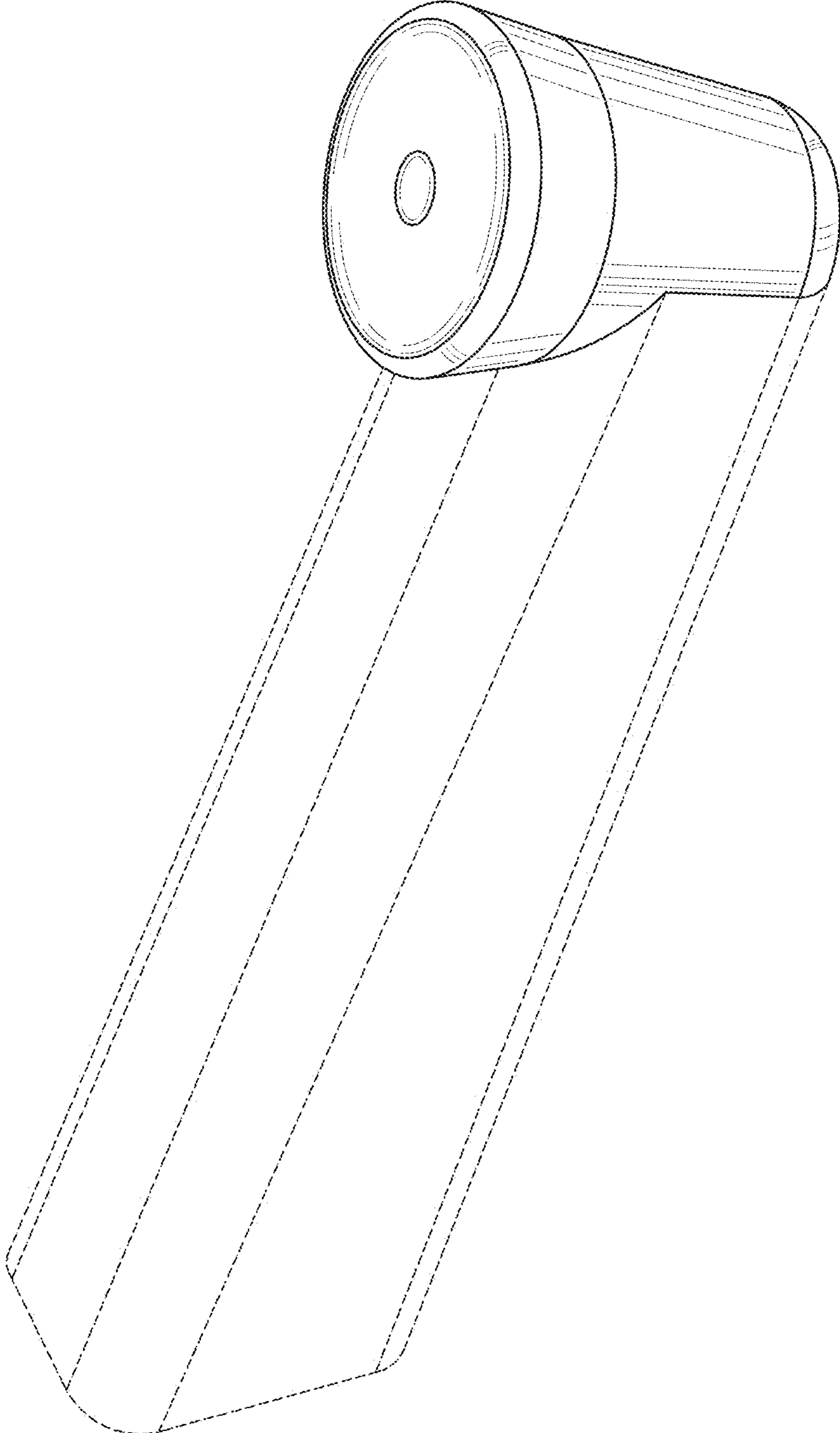


FIG. 1

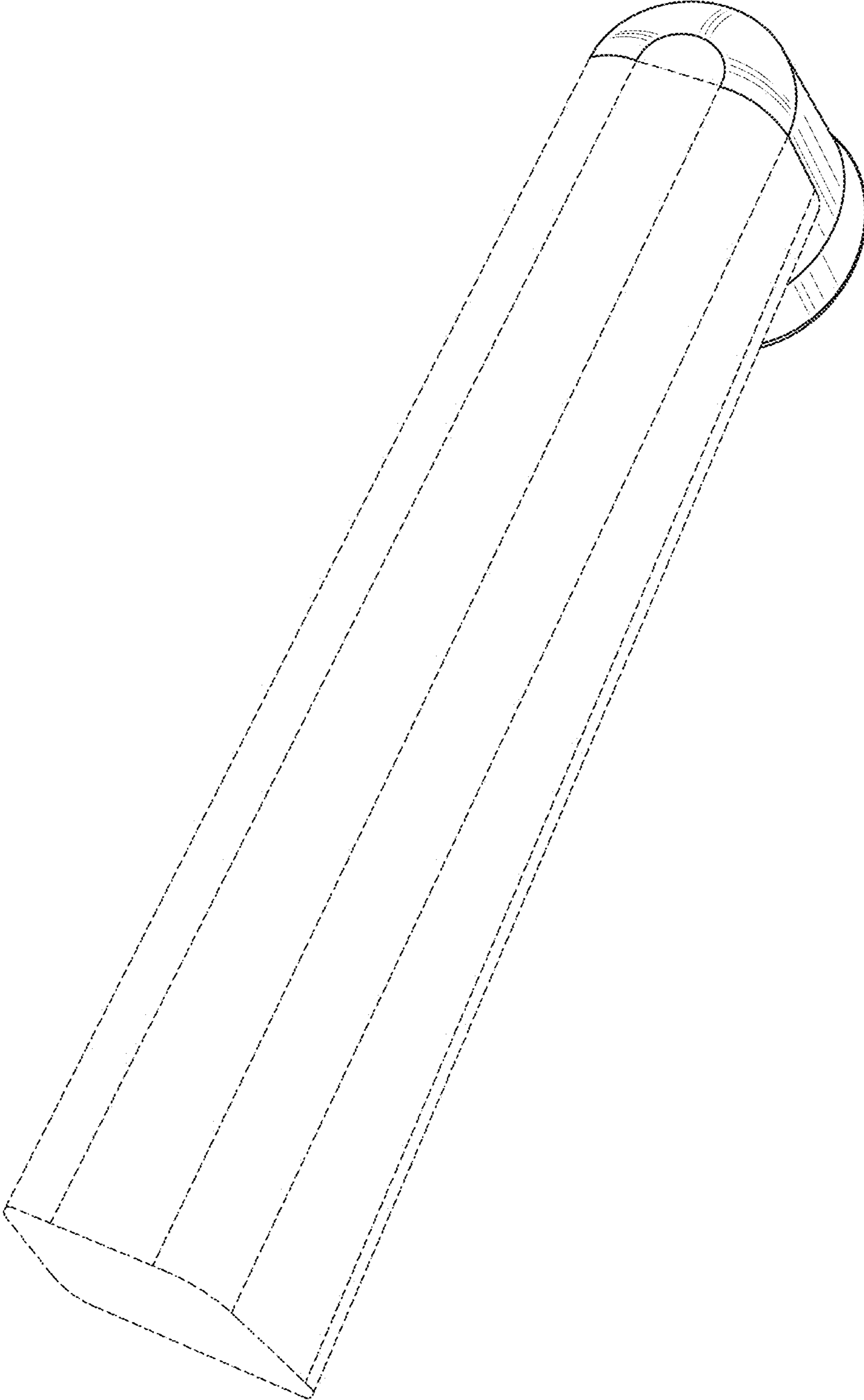


FIG. 2

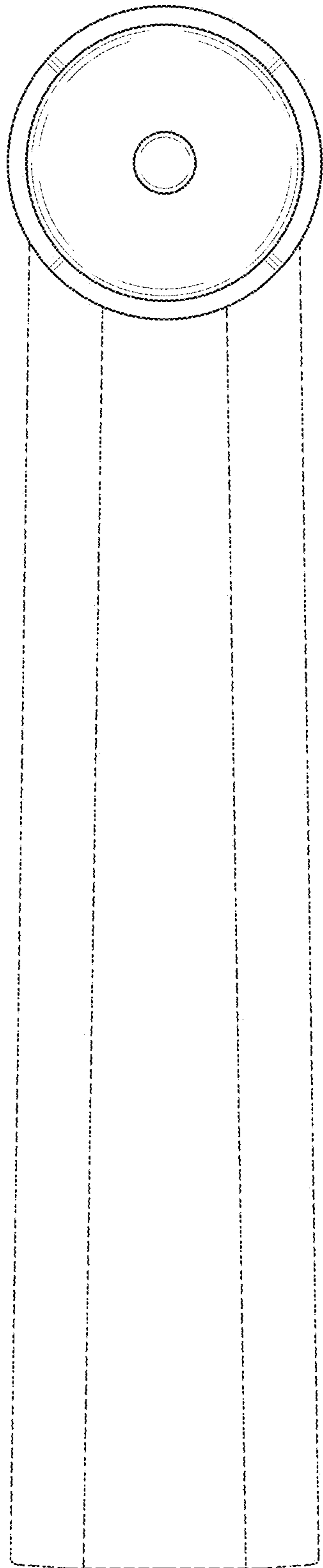


FIG. 3

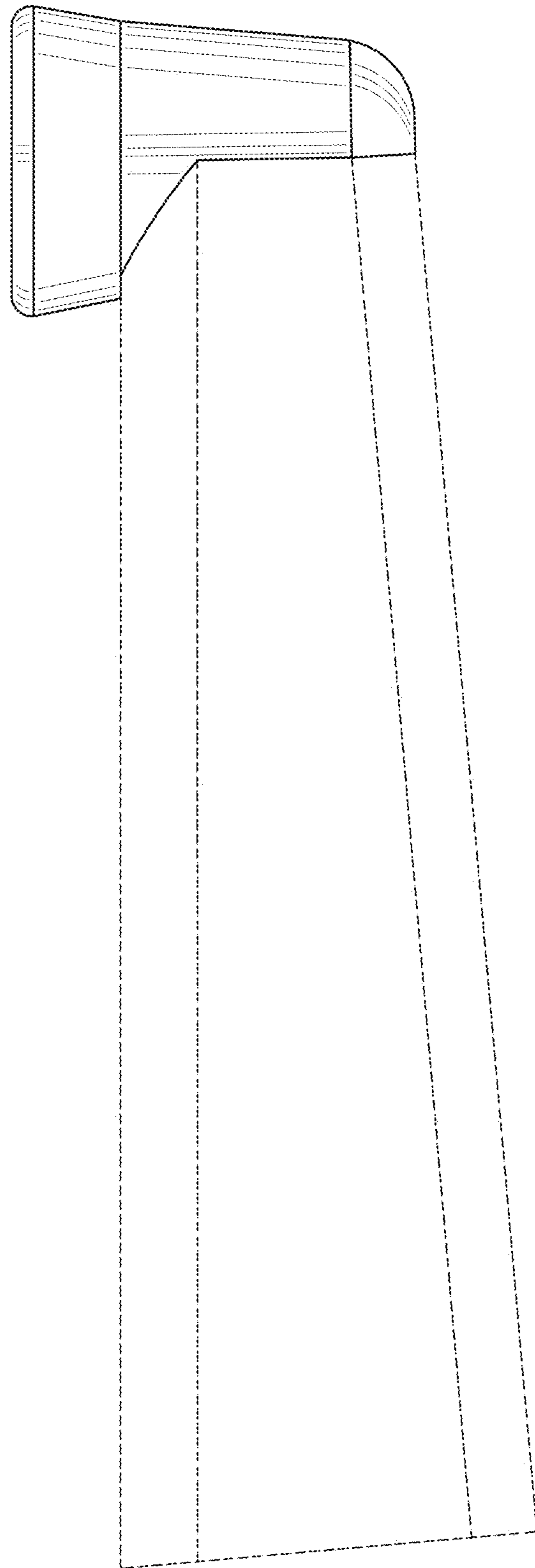


FIG. 4

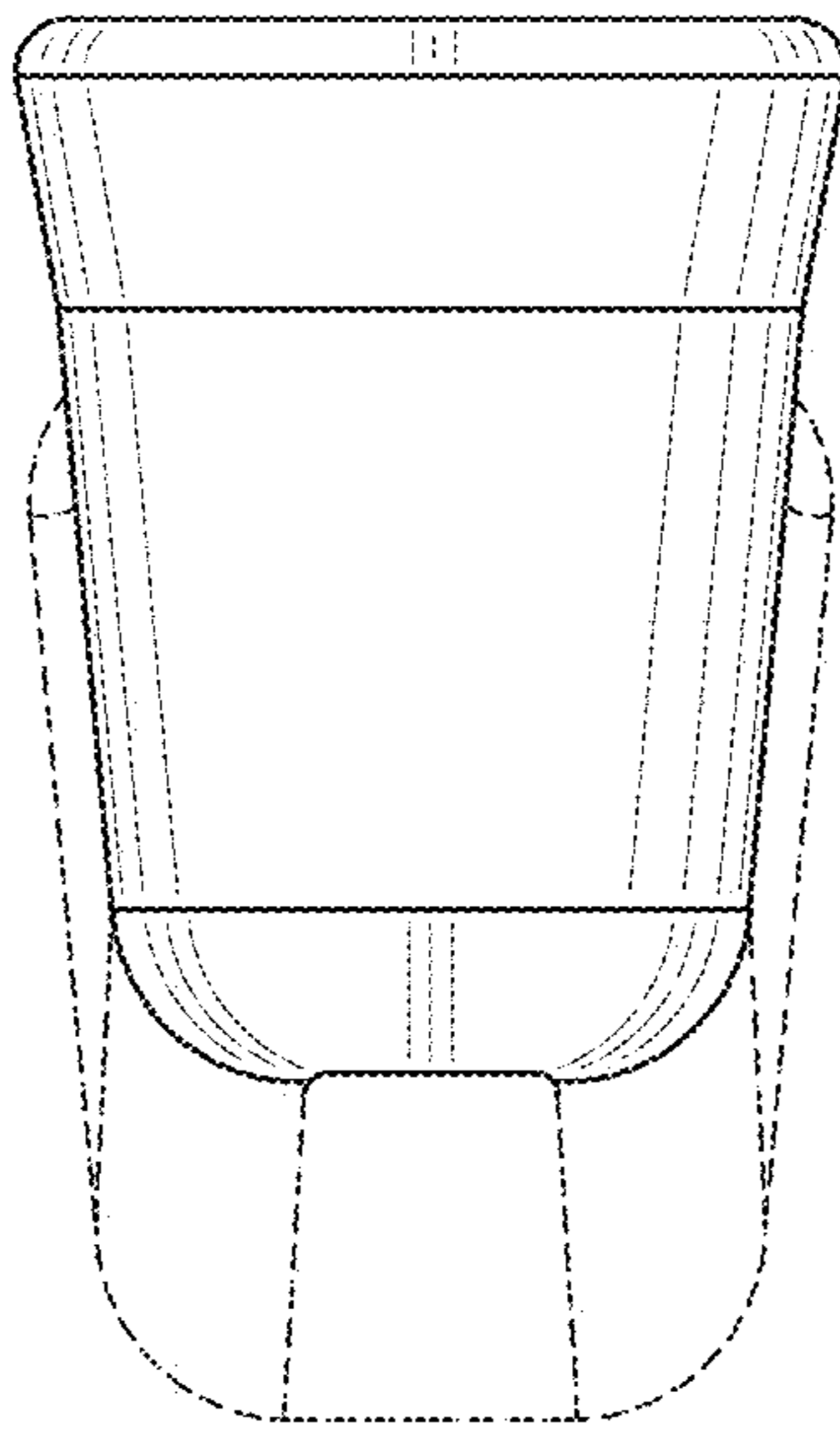


FIG. 5