



US00D943741S

(12) **United States Design Patent** (10) **Patent No.:** **US D943,741 S**
Hartson et al. (45) **Date of Patent:** **** *Feb. 15, 2022**

(54) **CUT GUIDE**

(71) Applicant: **PARAGON 28, INC.**, Englewood, CO (US)

(72) Inventors: **Kyle James Hartson**, Denver, CO (US); **Albert DaCosta**, Lone Tree, CO (US); **Randy Allard**, Golden, CO (US)

(73) Assignee: **Paragon 28, Inc.**, Englewood, CO (US)

(*) Notice: This patent is subject to a terminal disclaimer.

(**) Term: **15 Years**

(21) Appl. No.: **29/710,821**

(22) Filed: **Oct. 25, 2019**

Related U.S. Application Data

(63) Continuation of application No. 29/655,887, filed on Jul. 9, 2018, now Pat. No. Des. 865,173.

(51) **LOC (13) Cl.** **24-02**

(52) **U.S. Cl.**
USPC **D24/140**

(58) **Field of Classification Search**
USPC D24/140, 133, 152, 176, 181, 155, 156
CPC A61C 1/082; A61C 1/084; A61C 1/085;
A61C 3/04; A61C 11/06; A61B 17/8897;
A61B 90/70; A61B 17/66; A61B 2017/90
See application file for complete search history.

(56) **References Cited**

U.S. PATENT DOCUMENTS

D102,804 S	1/1937	Robinson	
5,735,856 A	4/1998	McCue et al.	
D412,032 S	7/1999	Mikula-Curtis et al.	
D603,504 S *	11/2009	Kriska	D24/155
D603,506 S *	11/2009	Kriska	D24/155
D629,900 S	12/2010	Fisher et al.	

D642,269 S	7/2011	Graham	
D643,927 S *	8/2011	Prasad	D24/155
D649,640 S	11/2011	Bailey et al.	
D700,332 S *	2/2014	Tyber	D24/155
D748,786 S	2/2016	Bailey et al.	
D840,030 S	2/2019	Smith et al.	
D849,947 S *	5/2019	Ordonez	D24/155
D849,948 S *	5/2019	Barnes	D24/155
D849,955 S *	5/2019	Christiansen	D24/176
D865,173 S *	10/2019	Hartson	D24/140
D877,905 S *	3/2020	Linder	D24/155
D890,926 S *	7/2020	Tyber	D24/155

(Continued)

Primary Examiner — Bridget L Eland

(74) *Attorney, Agent, or Firm* — Heslin Rothenberg Farley & Mesiti PC

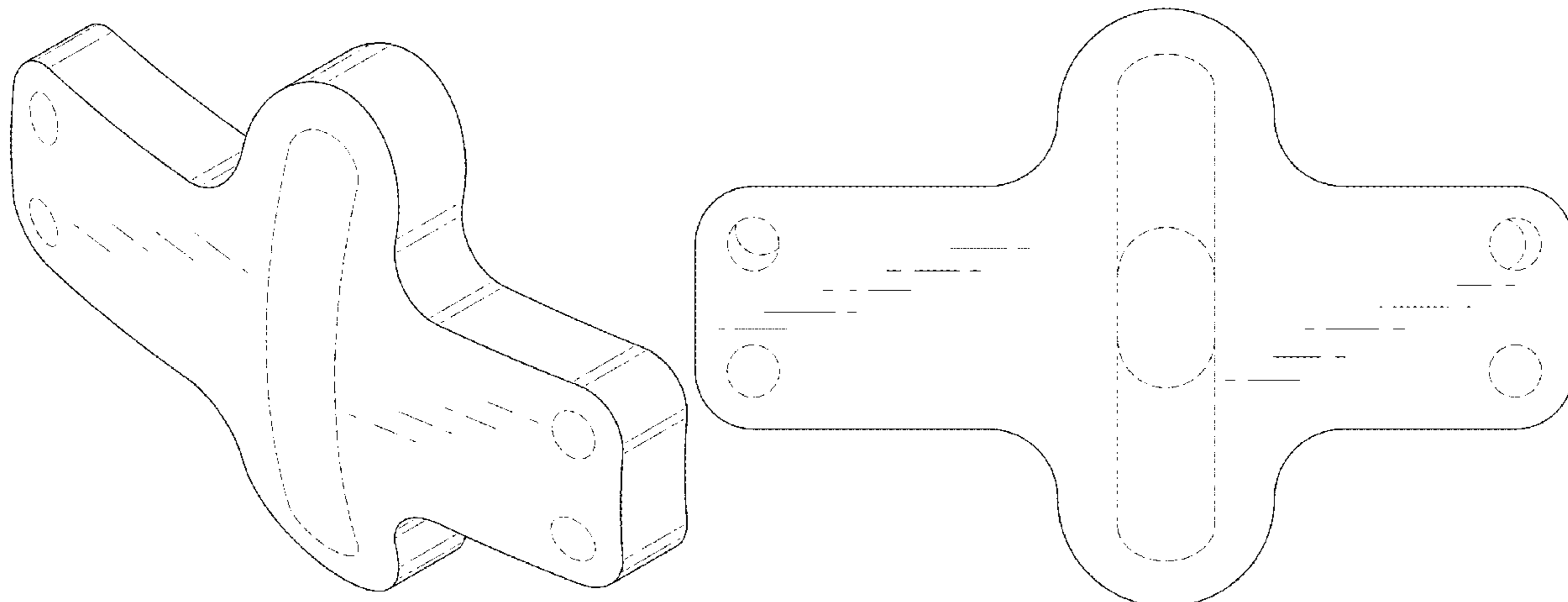
(57) **CLAIM**

The ornamental design for a cut guide, as shown and described.

DESCRIPTION

FIG. 1 is a front, top perspective view of the cut guide comprising the new design;
 FIG. 2 is a back, bottom perspective view of the design of FIG. 1;
 FIG. 3 is a front elevational view of the design of FIG. 1;
 FIG. 4 is a back elevational view of the design of FIG. 1;
 FIG. 5 is a top view of the design of FIG. 1;
 FIG. 6 is a bottom view of the design of FIG. 1;
 FIG. 7 is a right elevational view of the design of FIG. 1;
 and,
 FIG. 8 is a left elevational view of the design of FIG. 1.
 The broken lines immediately adjacent the shaded areas represent the bounds of the claimed design while all other broken lines are directed to the environment and are for illustrative purposes only; the broken lines form no part of the claimed cut guide invention.
 The relatively light uneven broken lines shown in the figures represent contour, not surface decoration.

1 Claim, 6 Drawing Sheets



(56)

References Cited

U.S. PATENT DOCUMENTS

D904,609 S * 12/2020 Dacosta D24/140
2020/0015874 A1 * 1/2020 Hartson A61B 90/70

* cited by examiner

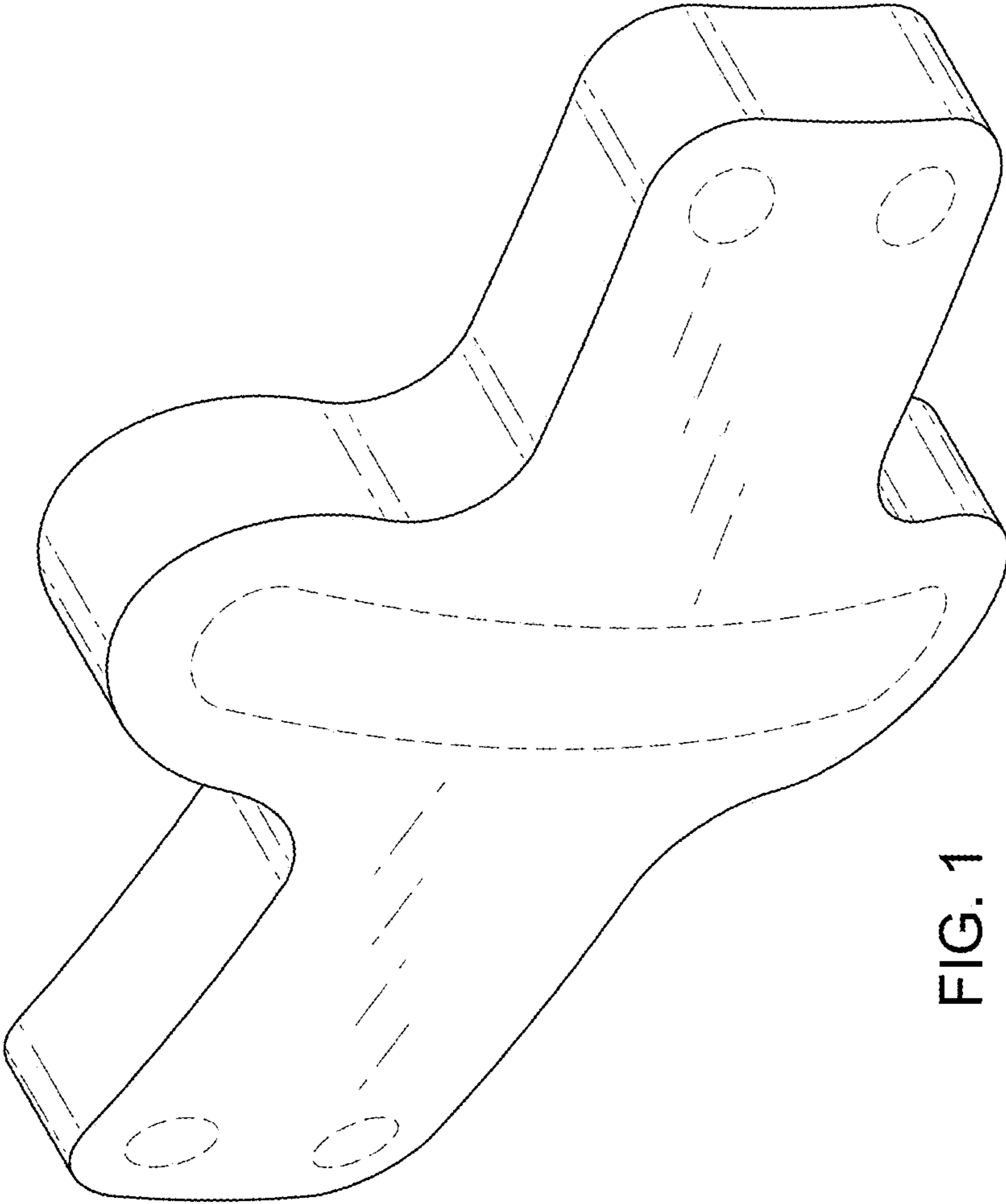


FIG. 1

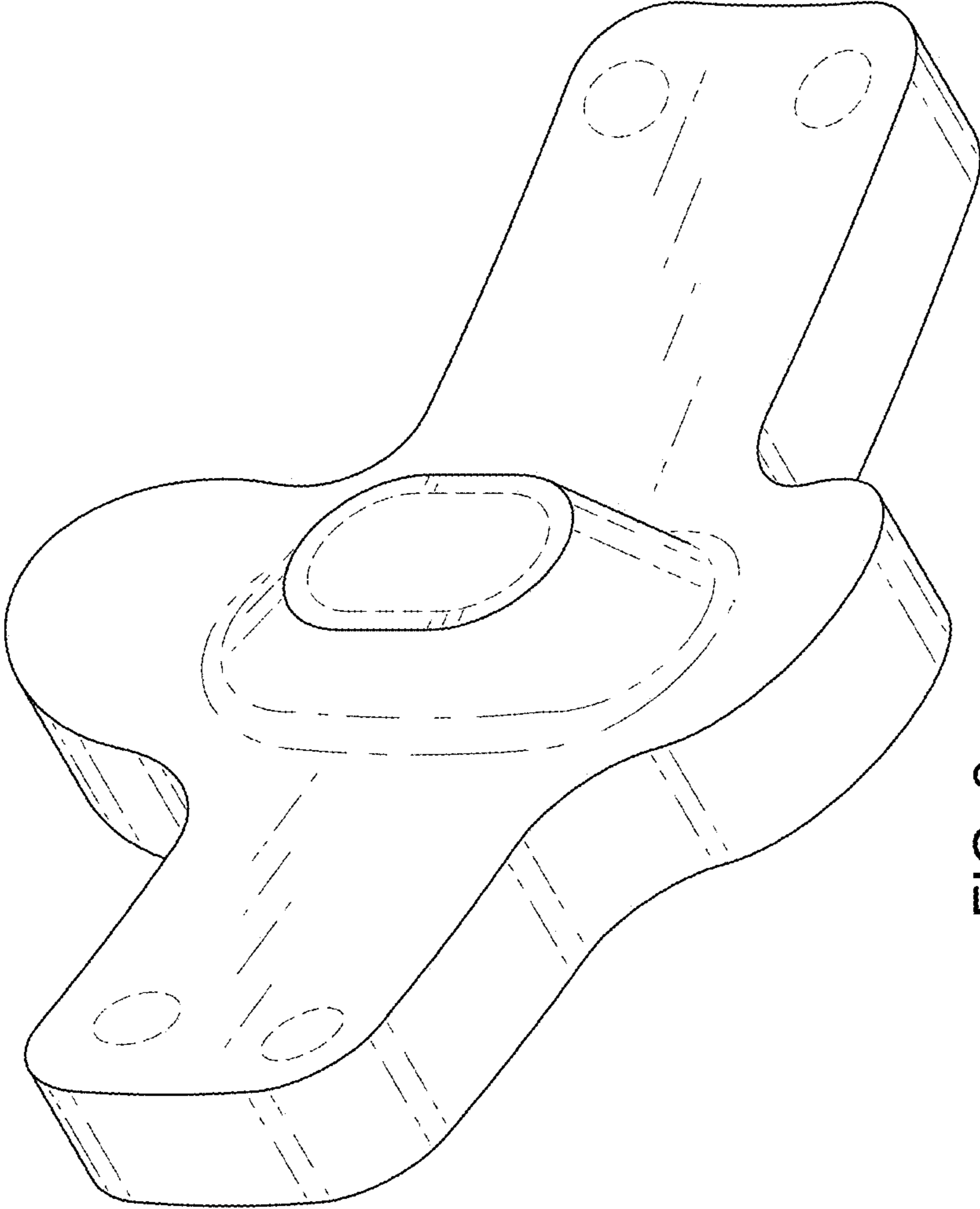


FIG. 2

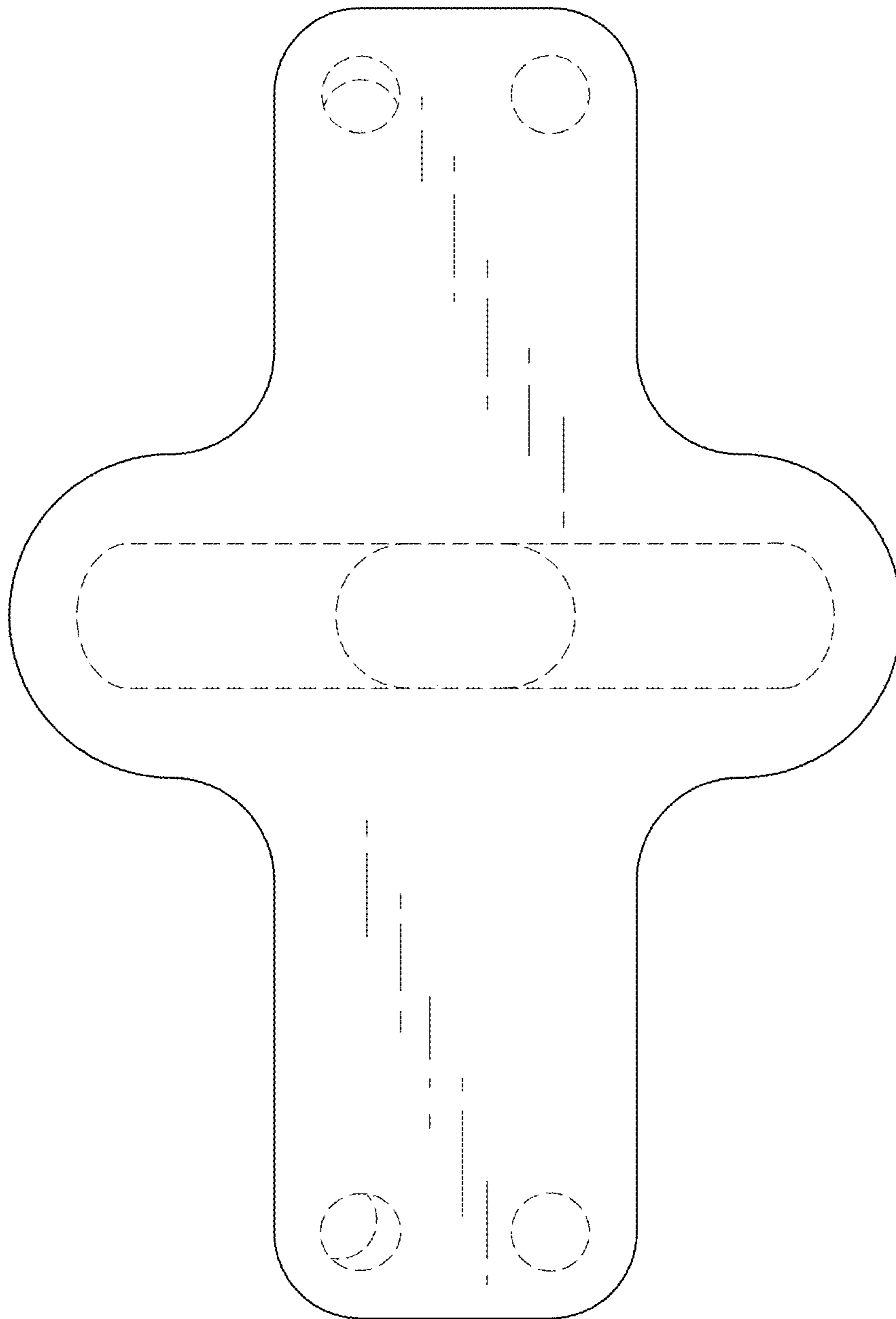


FIG. 3

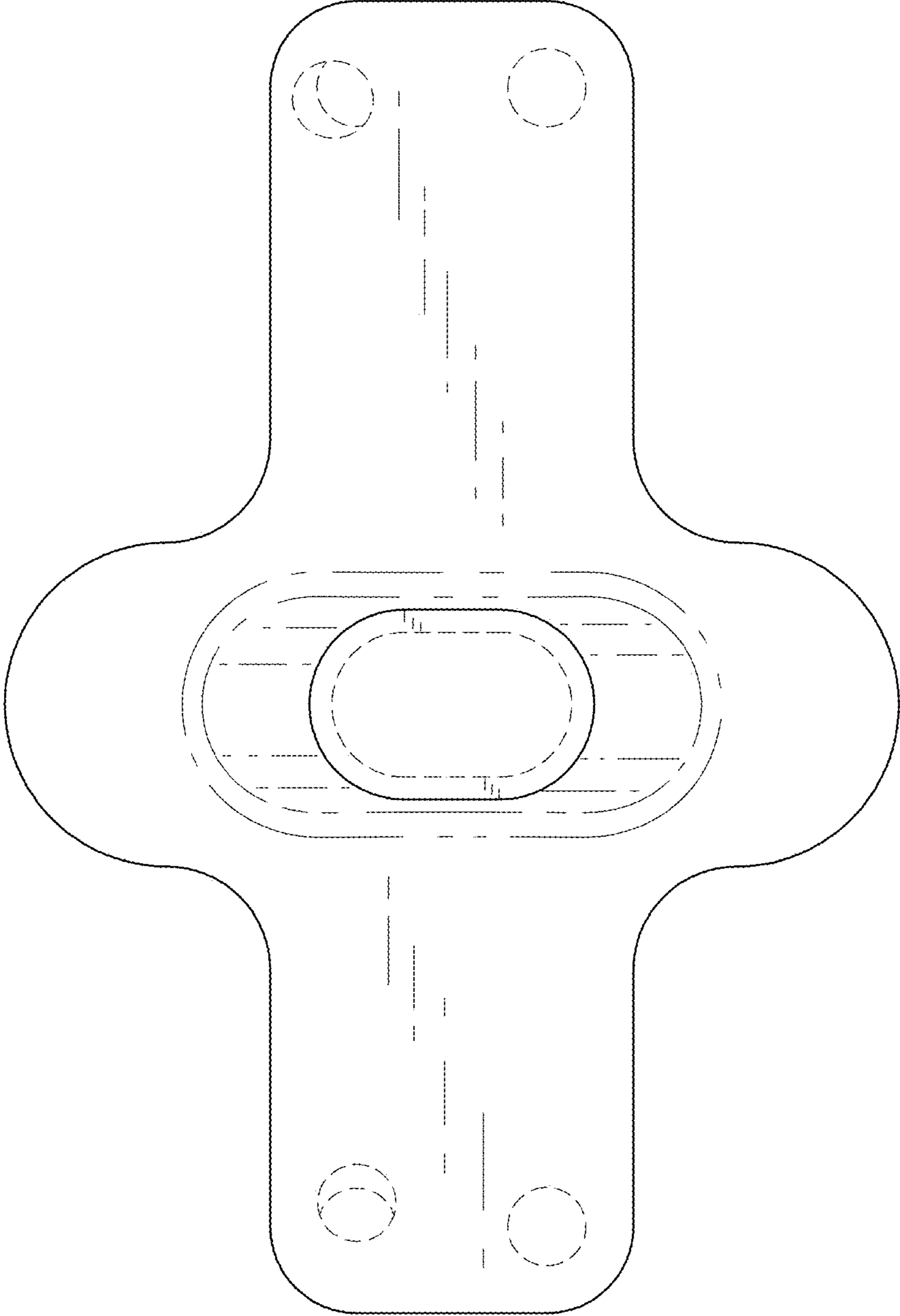


FIG. 4

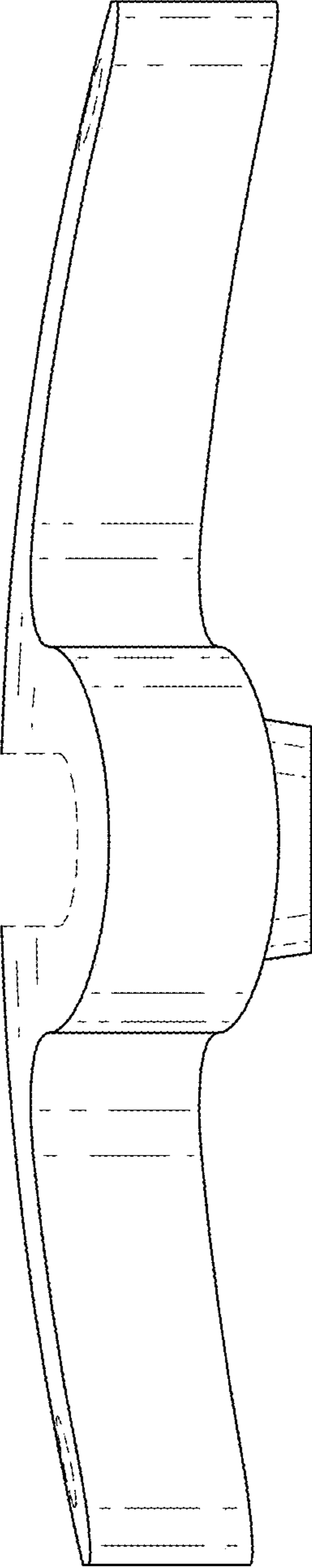


FIG. 5

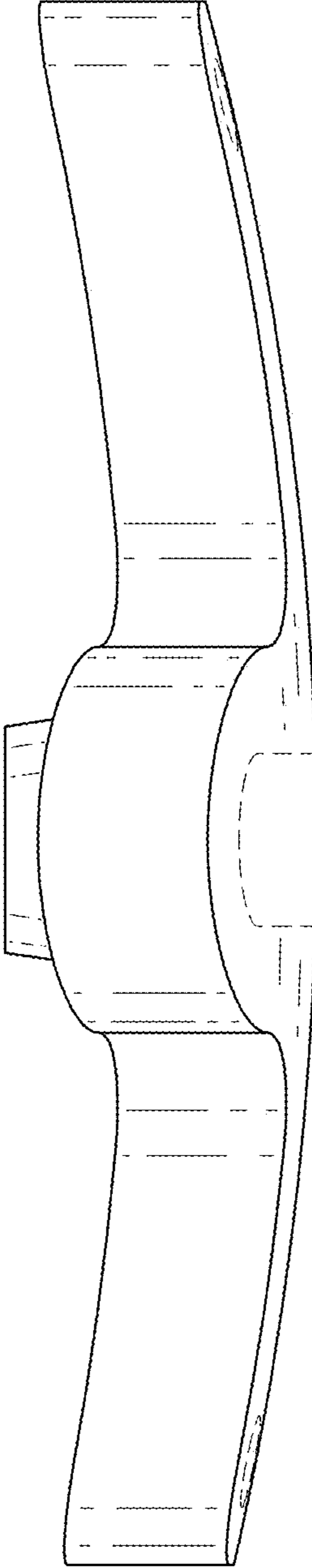


FIG. 6

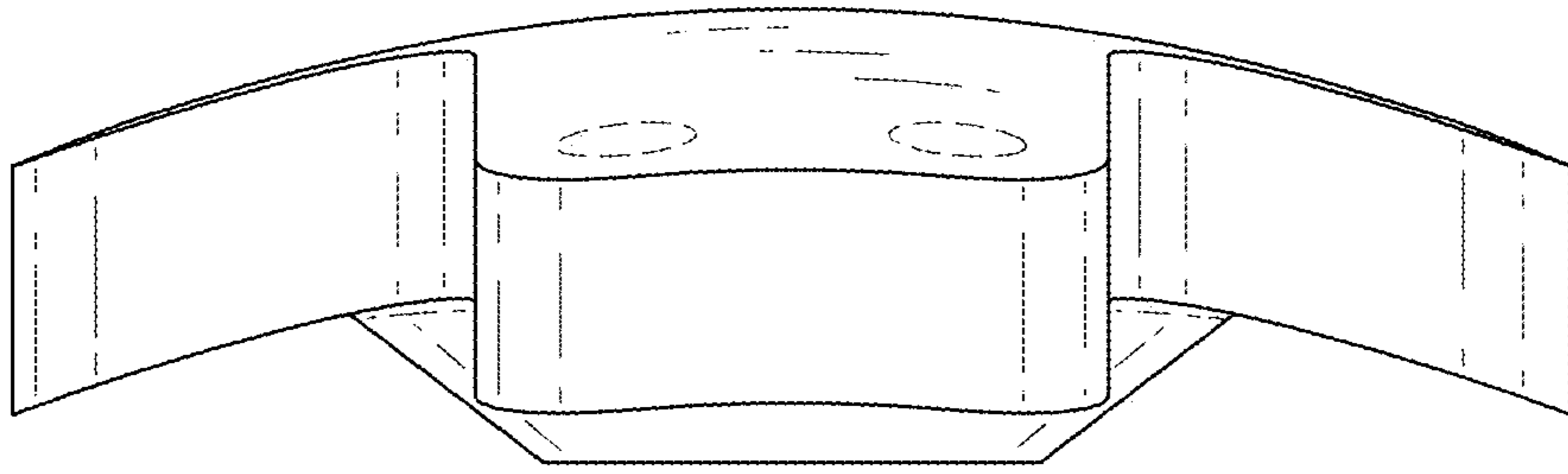


FIG. 8

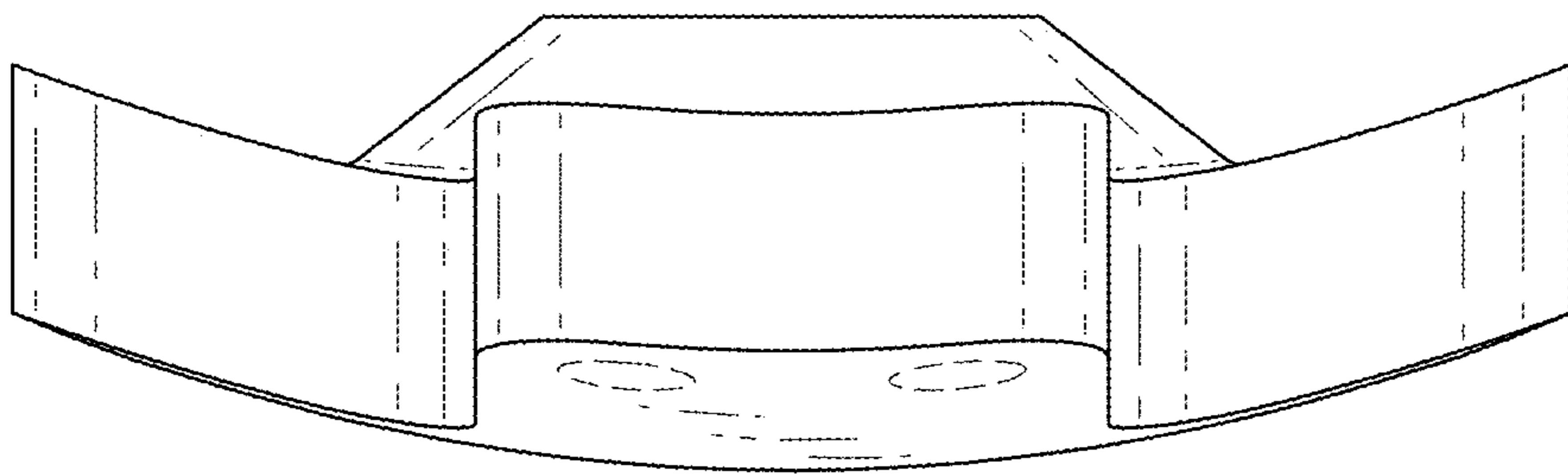


FIG. 7