



US00D943740S

(12) **United States Design Patent** (10) **Patent No.:** **US D943,740 S**
Ross (45) **Date of Patent:** **** Feb. 15, 2022**

(54) **VAGINAL DILATOR**

(71) Applicant: **Sheryl A. Ross**, Santa Monica, CA (US)

(72) Inventor: **Sheryl A. Ross**, Santa Monica, CA (US)

(73) Assignee: **California Exotic Novelties LLC**, Ontario, CA (US)

(**) Term: **15 Years**

(21) Appl. No.: **29/724,663**

(22) Filed: **Feb. 18, 2020**

(51) **LOC (13) Cl.** **24-02**

(52) **U.S. Cl.**
USPC **D24/135**

(58) **Field of Classification Search**
USPC D24/140, 135, 133, 141, 105
(Continued)

(56) **References Cited**

U.S. PATENT DOCUMENTS

D265,342 S * 7/1982 Glassman D24/135
D269,206 S * 5/1983 Glassman D24/135
(Continued)

FOREIGN PATENT DOCUMENTS

WO D209439-001 * 1/2021
WO D209439-002 * 1/2021
(Continued)

OTHER PUBLICATIONS

Internet Publication by Groove, She-ology 5-piece Wearable Vaginal Dilator Set, Publication Date: Not Given, [online], [retrieved on Sep. 21, 2021], Retrieved from Internet ,<URL: <https://www.inthegroove.com/she-ology-5-piece-wearable-vaginal-dilator-set.html>>.*

(Continued)

Primary Examiner — Bridget L Eland

(57) **CLAIM**

The ornamental design for a vaginal dilator, as shown and described.

DESCRIPTION

FIG. 1 is an upper perspective view of the vaginal dilator according to a first embodiment;
FIG. 2 is a right side elevational view thereof, the left side being a mirror image;
FIG. 3 is a front elevational view thereof;
FIG. 4 is a rear elevational view thereof;
FIG. 5 is a top plan view thereof;
FIG. 6 is a bottom plan view thereof;
FIG. 7 is an upper perspective view of the vaginal dilator according to a second embodiment;
FIG. 8 is a right side elevational view thereof, the left side being a mirror image;
FIG. 9 is a front elevational view thereof;
FIG. 10 is a rear elevational view thereof;
FIG. 11 is a top plan view thereof;
FIG. 12 is a bottom plan view thereof;
FIG. 13 is an upper perspective view of the vaginal dilator according to a third embodiment;
FIG. 14 is a right side elevational view thereof, the left side being a mirror image;
FIG. 15 is a front elevational view thereof;
FIG. 16 is a rear elevational view thereof;
FIG. 17 is a top plan view thereof;
FIG. 18 is a bottom plan view thereof;
FIG. 19 is an upper perspective view of the vaginal dilator according to a fourth embodiment;
FIG. 20 is a right side elevational view thereof, the left side being a mirror image;
FIG. 21 is a front elevational view thereof;
FIG. 22 is a rear elevational view thereof;
FIG. 23 is a top plan view thereof;
FIG. 24 is a bottom plan view thereof;
FIG. 25 is an upper perspective view of the vaginal dilator according to a fifth embodiment;
FIG. 26 is a right side elevational view thereof, the left side being a mirror image;

(Continued)

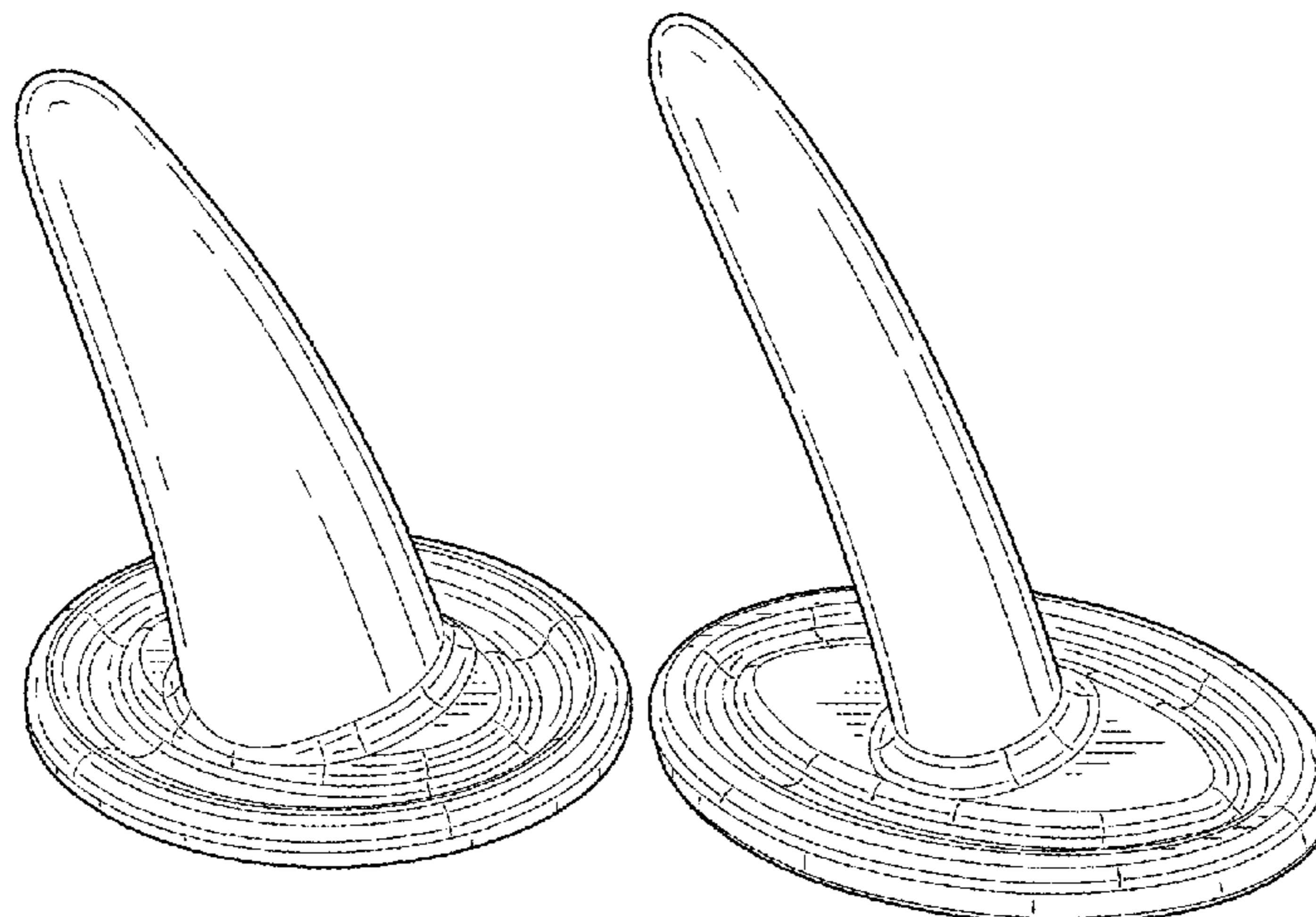


FIG. 27 is a front elevational view thereof;
 FIG. 28 is a rear elevational view thereof;
 FIG. 29 is a top plan view thereof; and,
 FIG. 30 is a bottom plan view thereof.
 The broken lines in the drawings are for the purpose of illustrating portions of the vaginal dilator that form no part of the claimed design in the embodiments in which they are shown.

1 Claim, 5 Drawing Sheets

(58) **Field of Classification Search**

CPC A61B 17/42; A61B 17/4241; A61B 90/02;
 A61B 1/32; A61M 29/00
 See application file for complete search history.

(56) **References Cited**

U.S. PATENT DOCUMENTS

D405,176 S *	2/1999	Michelson	D24/135
D446,856 S *	8/2001	Stein	D24/135
D485,358 S *	1/2004	Woo	D24/135
D520,137 S *	5/2006	Melendez	D24/133
D545,959 S *	7/2007	Cierley	D24/110
D621,505 S *	8/2010	Gabbay	D24/141

D667,115 S *	9/2012	Caballero	D24/141
D706,421 S *	6/2014	Brannon	D24/140
D787,671 S *	5/2017	Orr	D24/140
D844,783 S *	4/2019	Jacobson	D24/143
2014/0031742 A1 *	1/2014	Kim	A61M 25/0026 604/35

FOREIGN PATENT DOCUMENTS

WO	D209439-003	*	1/2021
WO	D209439-004	*	1/2021
WO	D209439-005	*	1/2021

OTHER PUBLICATIONS

Internet Publication by Overstock, She-ology 5-piece Wearable Vaginal Dilator Set, Publication Date: Not Given, [online], [retrieved on Sep. 21, 2021], Retrieved from Internet ,<URL: <https://www.overstock.com/Clothing-Shoes/Sheology-5-Piece-Wearable-Vaginal-Dilator-Set-As-Shown-One-Size-Fits-Most/31931562/product.html>>.*

Internet Publication by Meno Delight, She-ology Wearable Vaginal Dilator Set, Publication Date: Not Given, [online], [retrieved on Sep. 21, 2021], Retrieved from Internet ,<URL: <https://www.menodelight.co.uk/product/sheology-wearable-vaginal-dilator-set>>.*

* cited by examiner

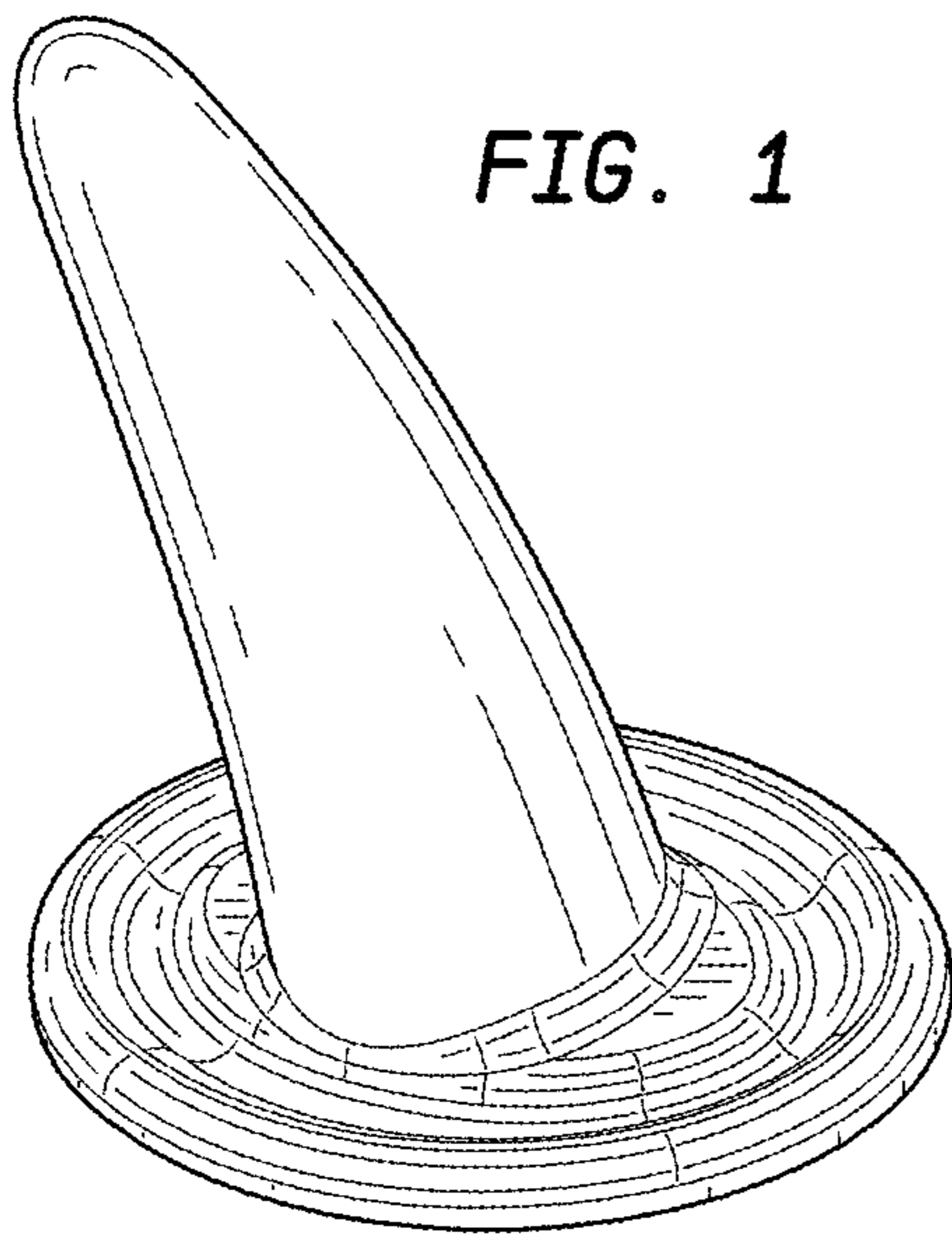


FIG. 1

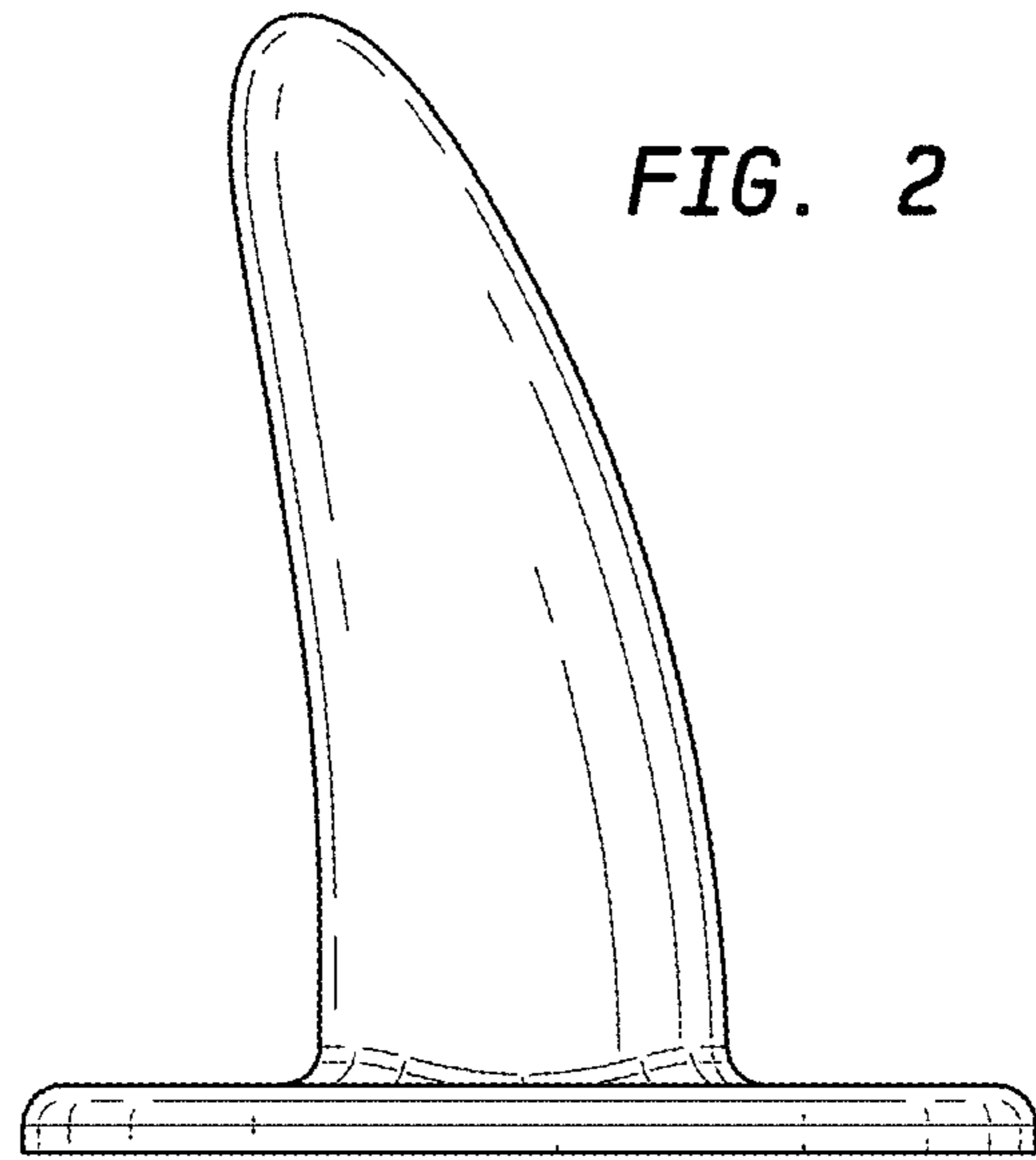


FIG. 2

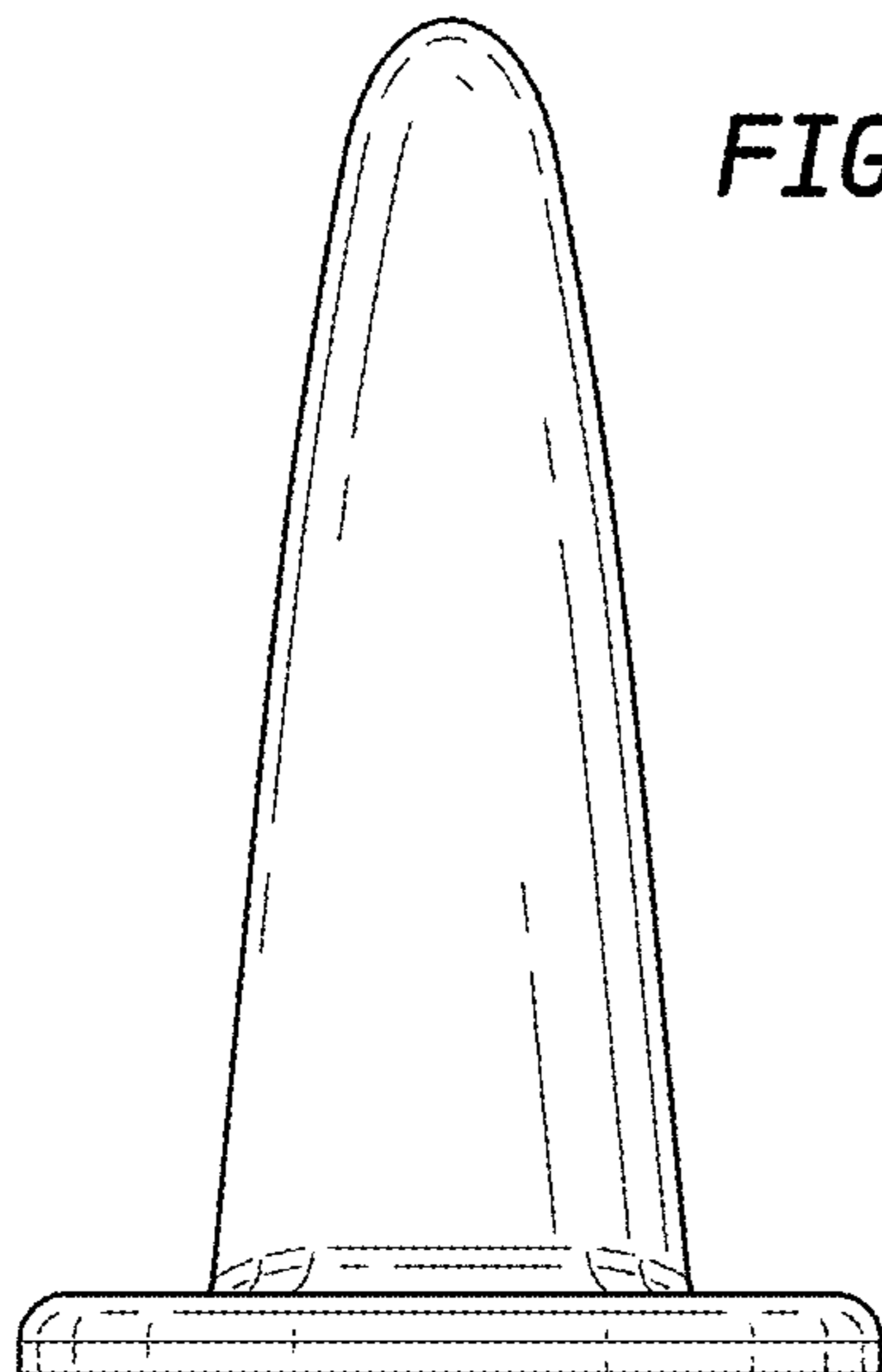


FIG. 3

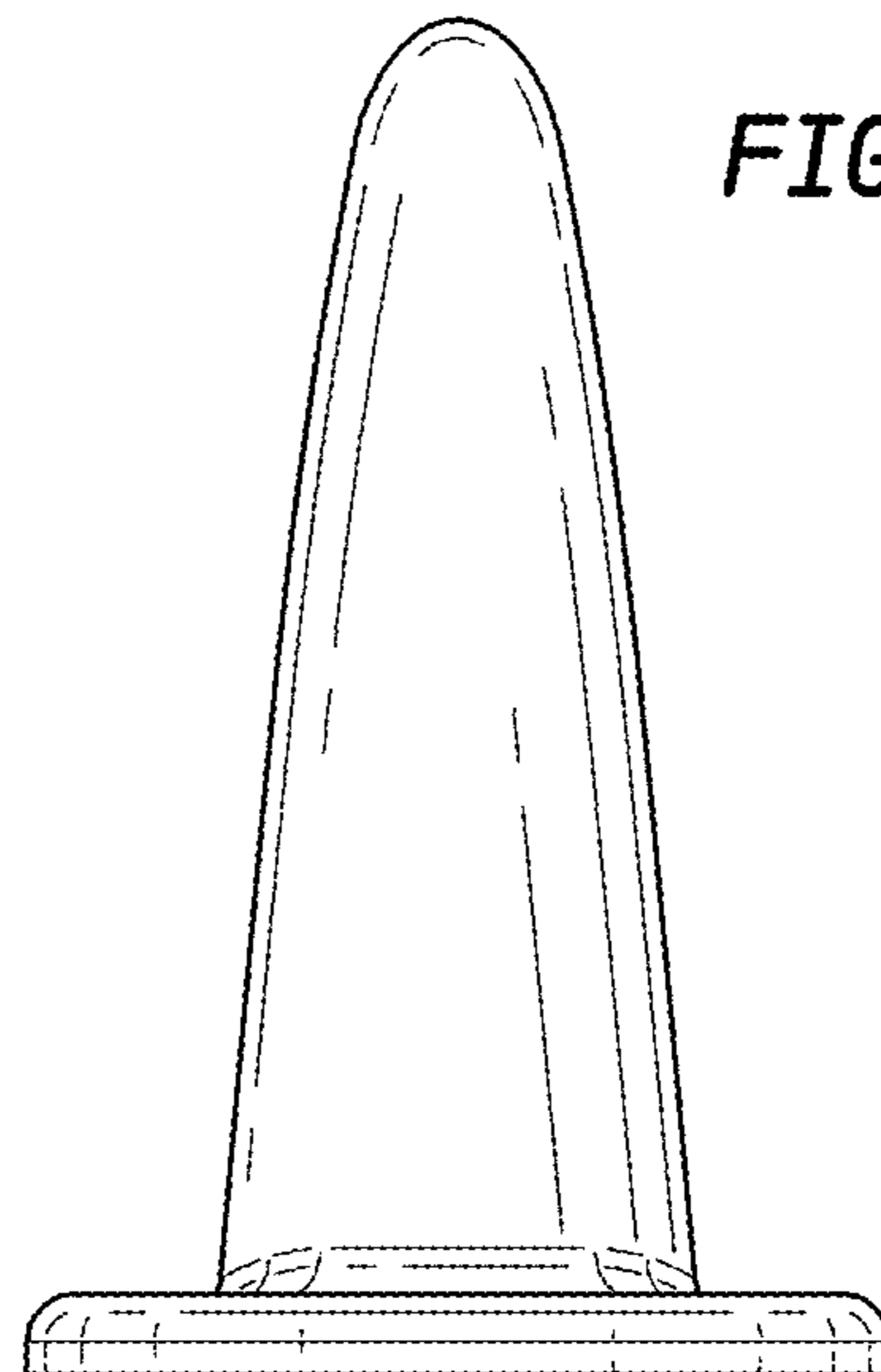


FIG. 4

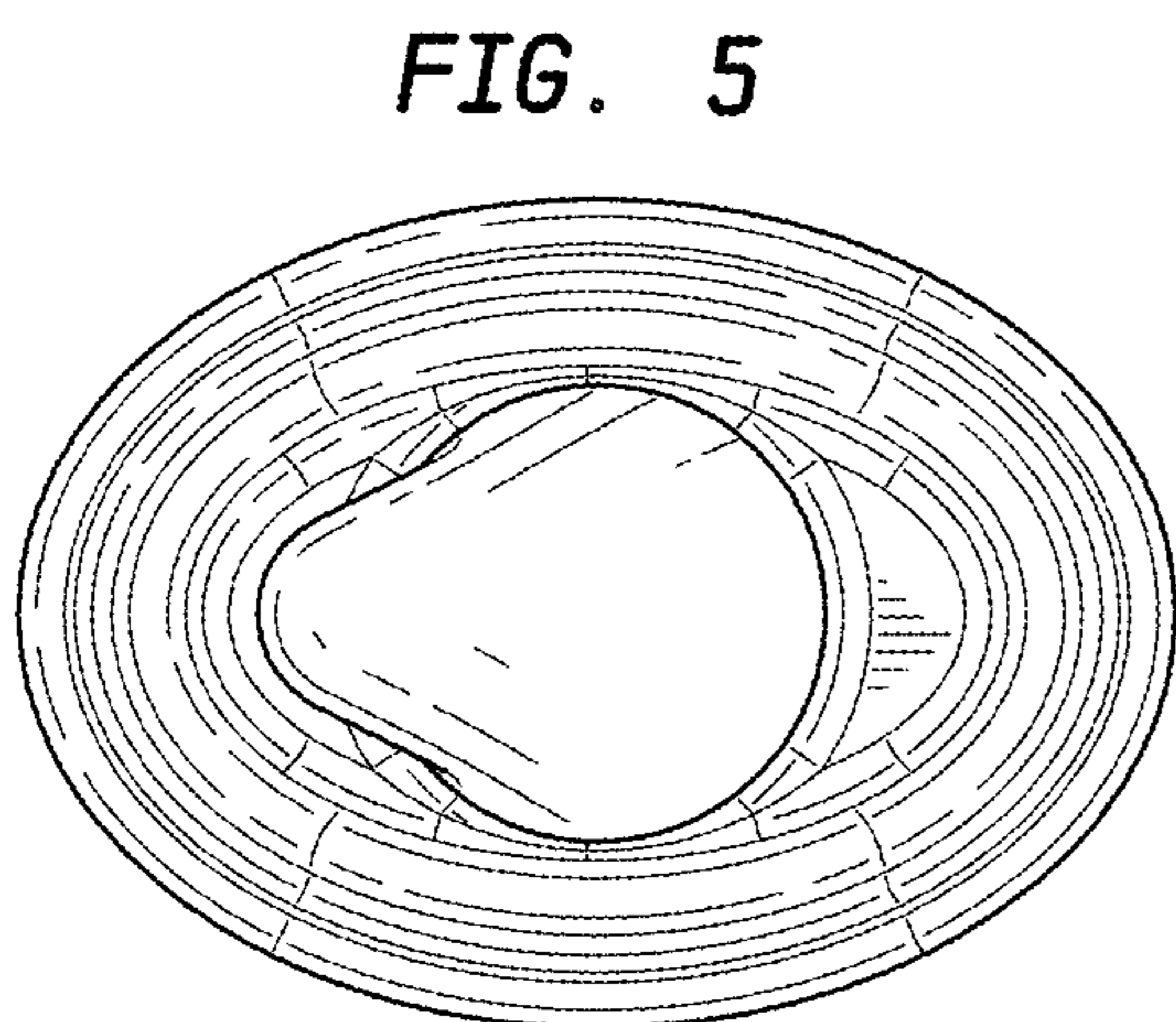


FIG. 5

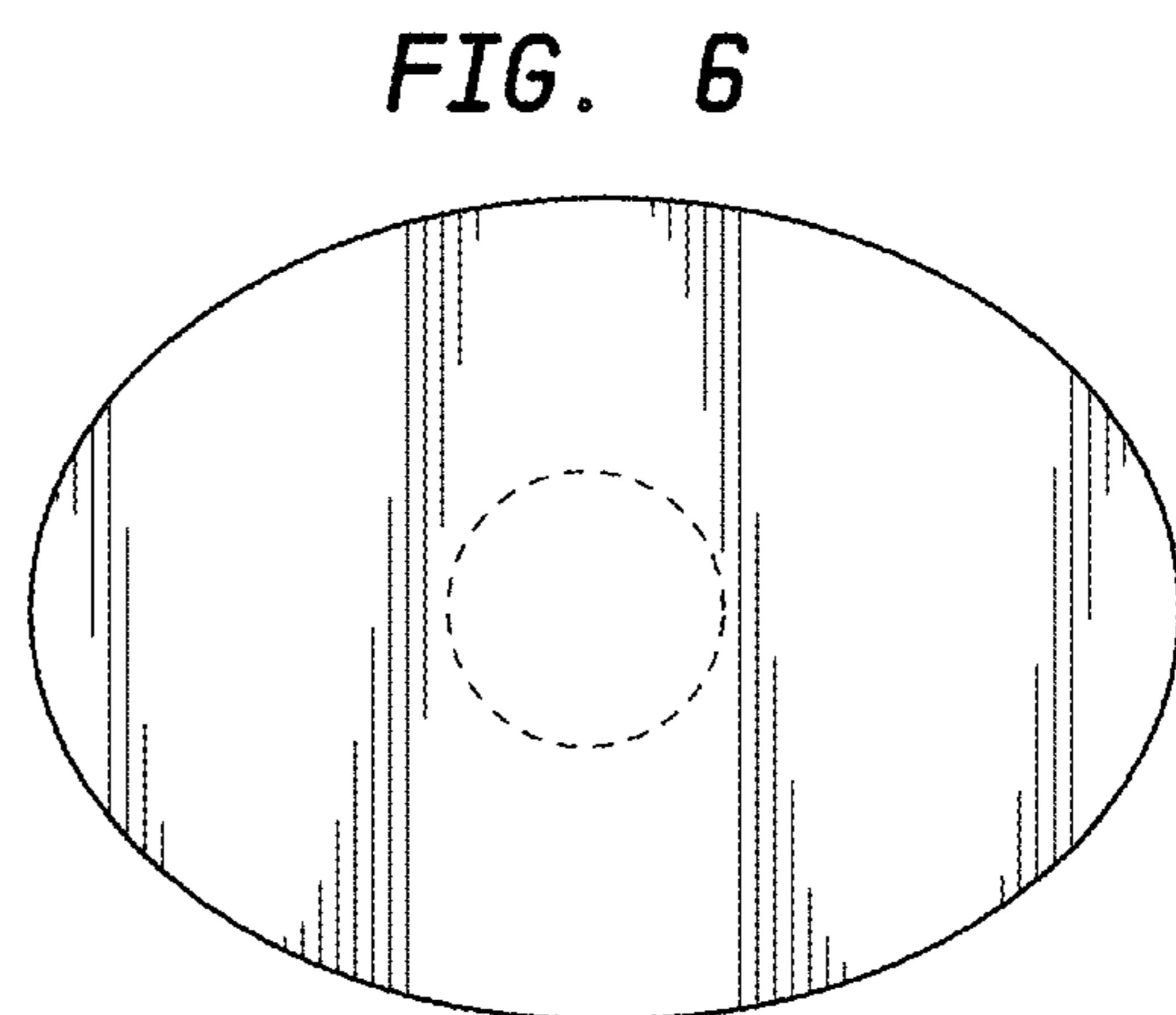
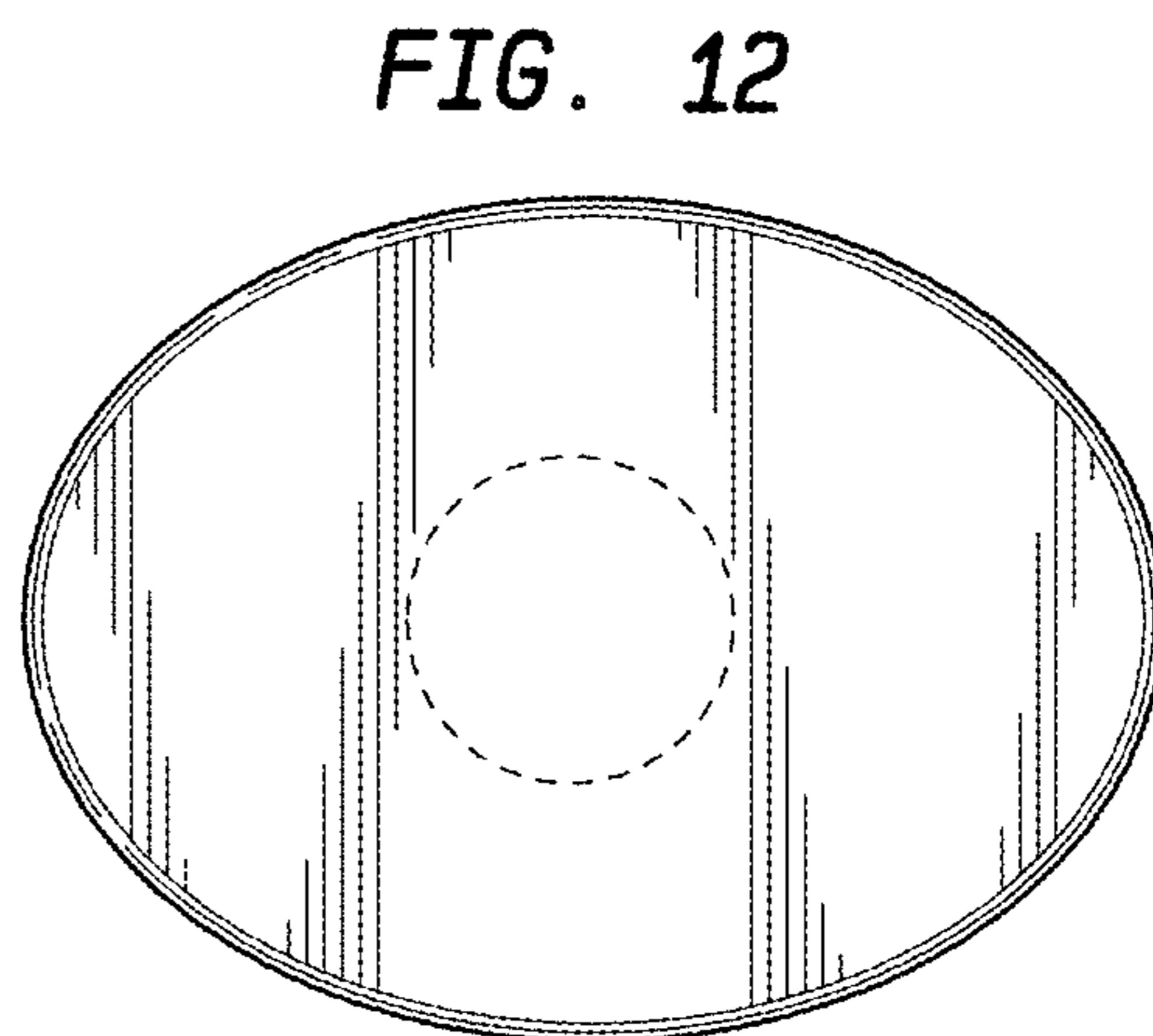
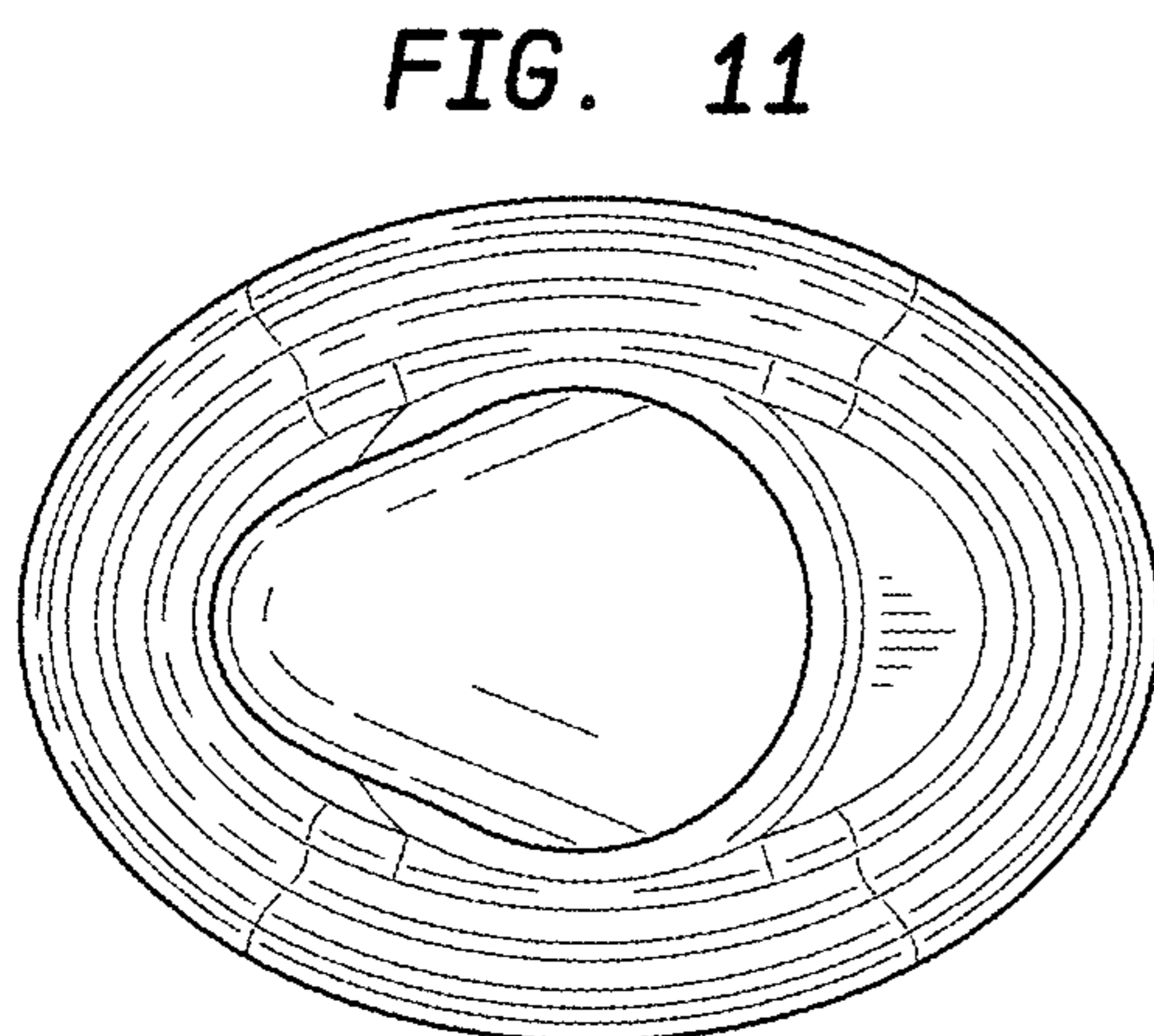
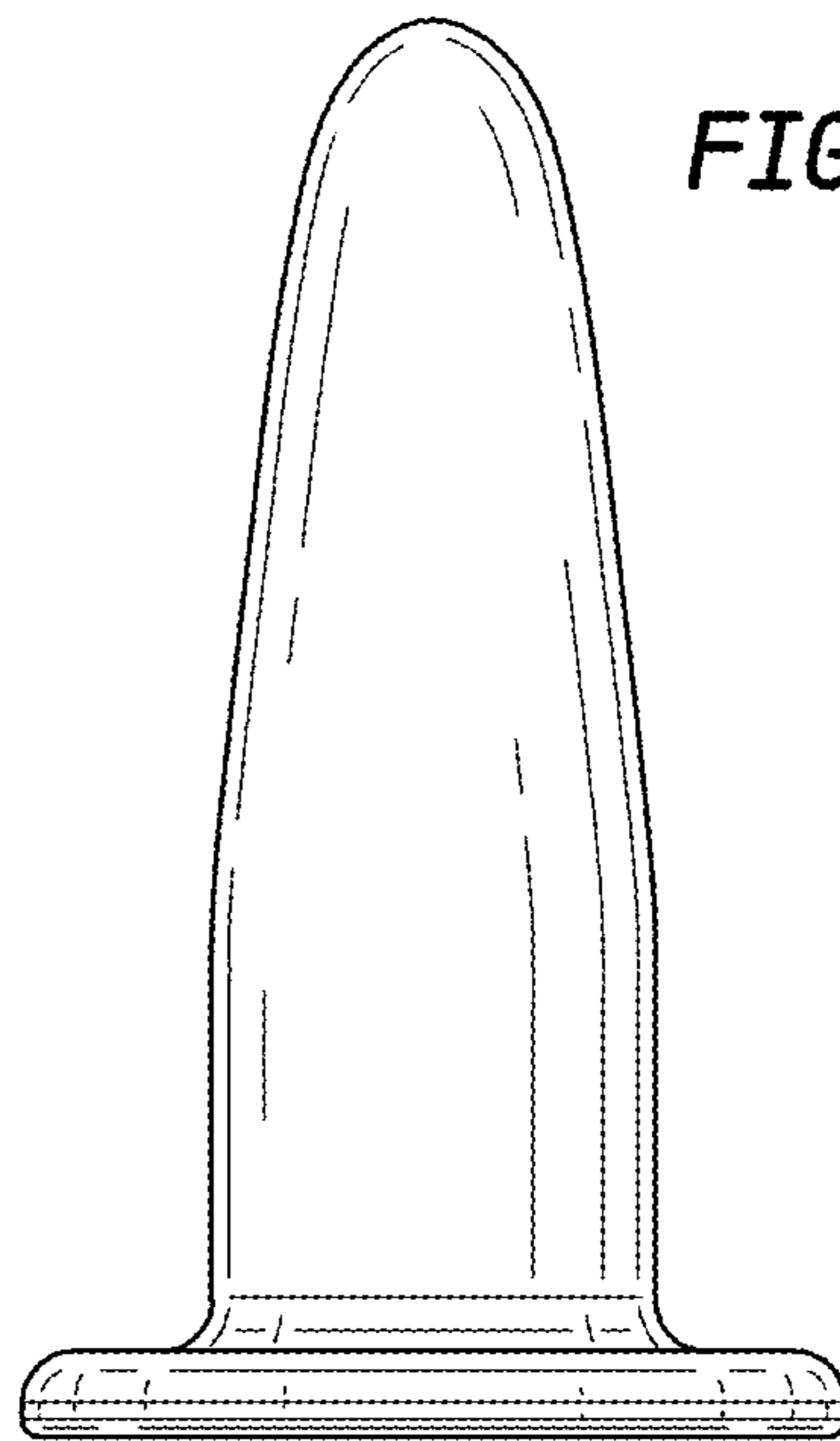
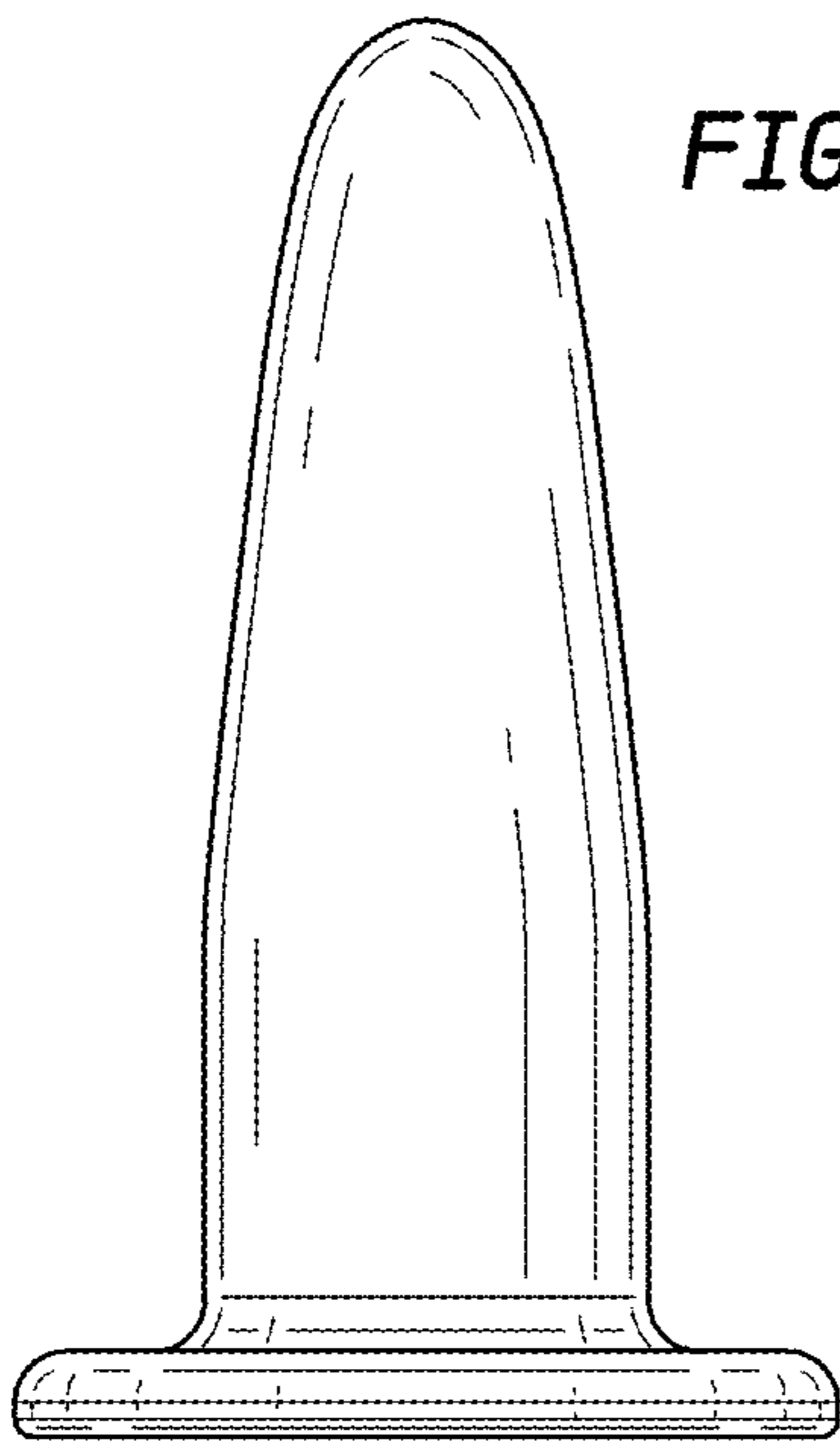
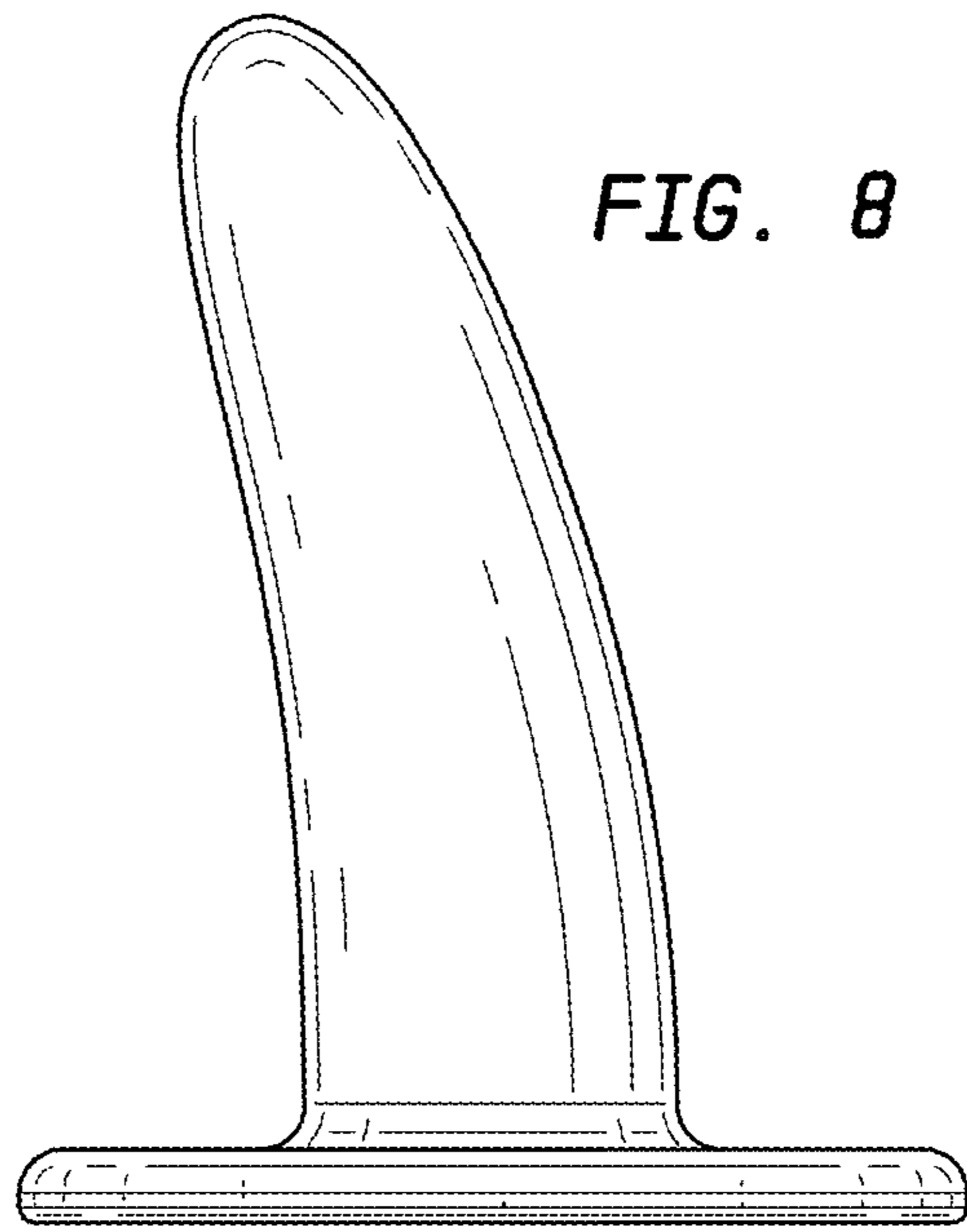
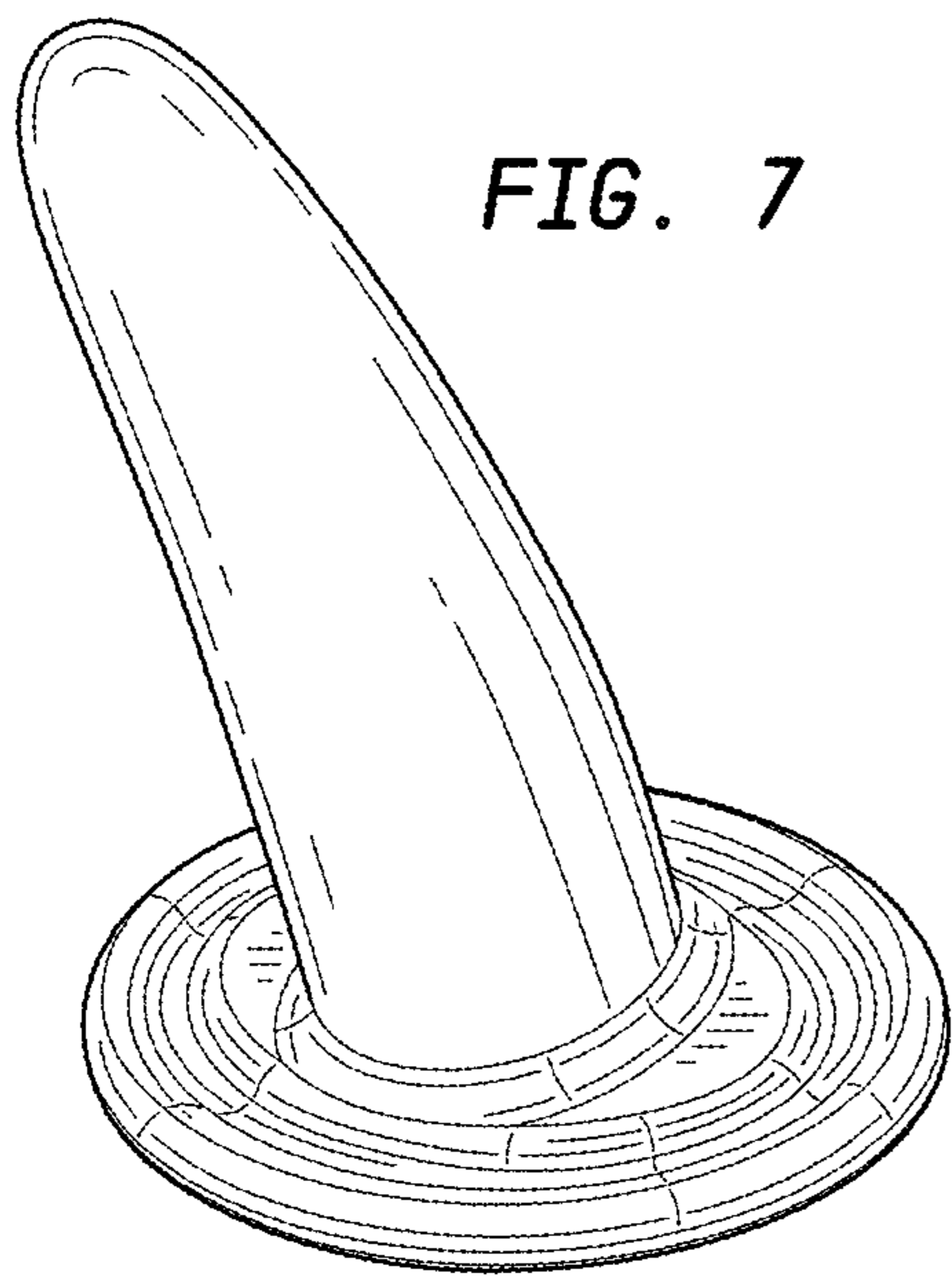


FIG. 6



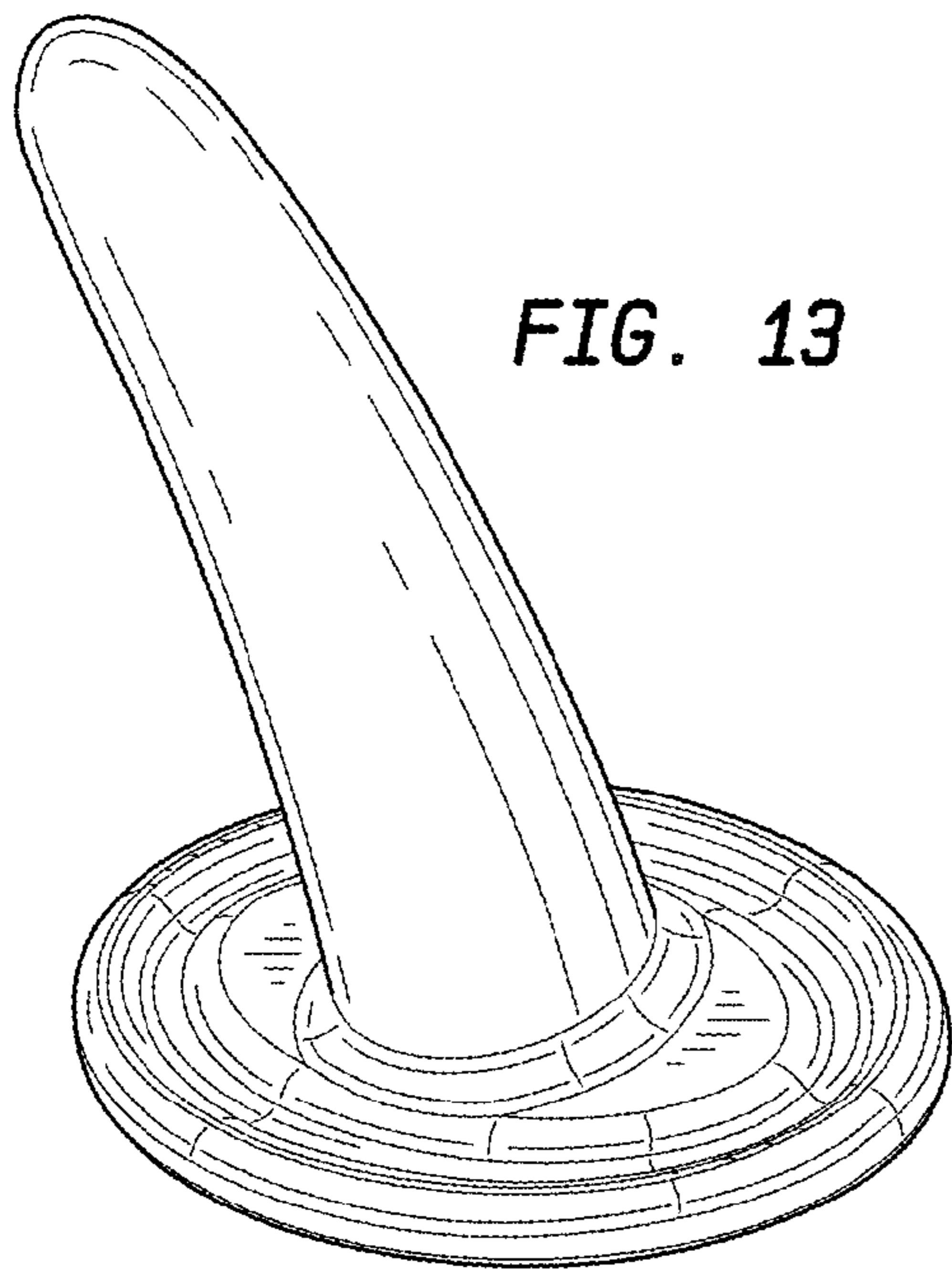


FIG. 13

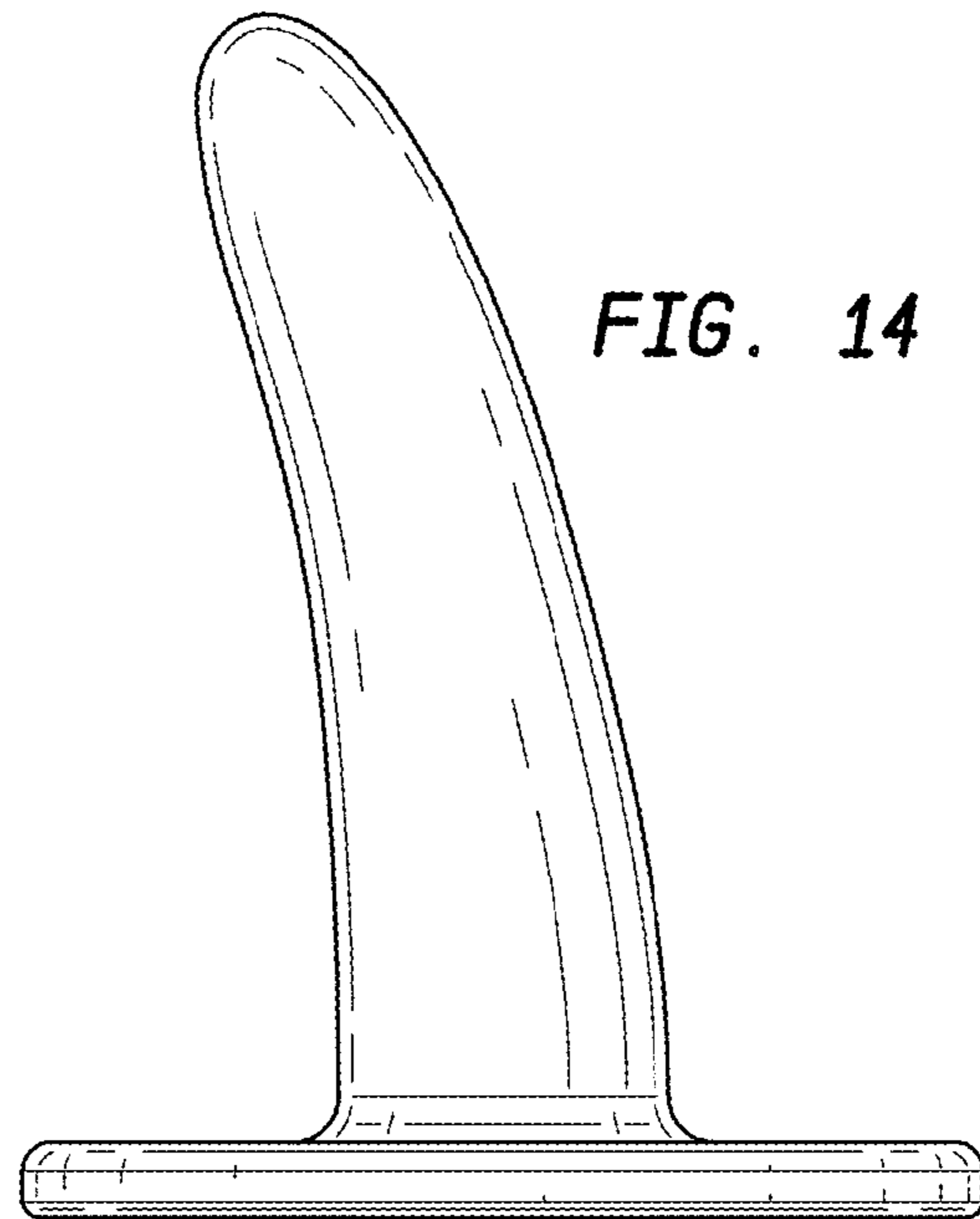


FIG. 14

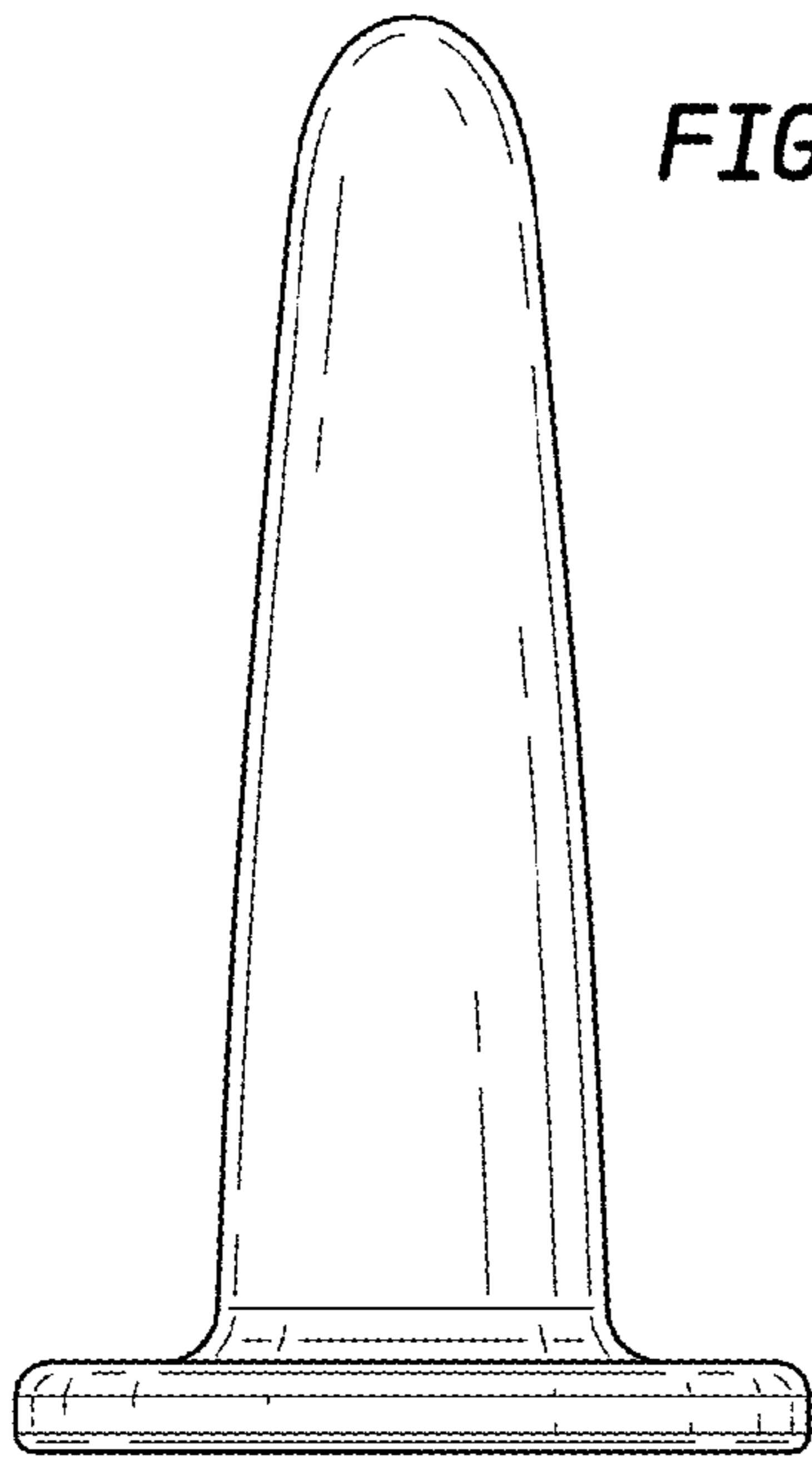


FIG. 15

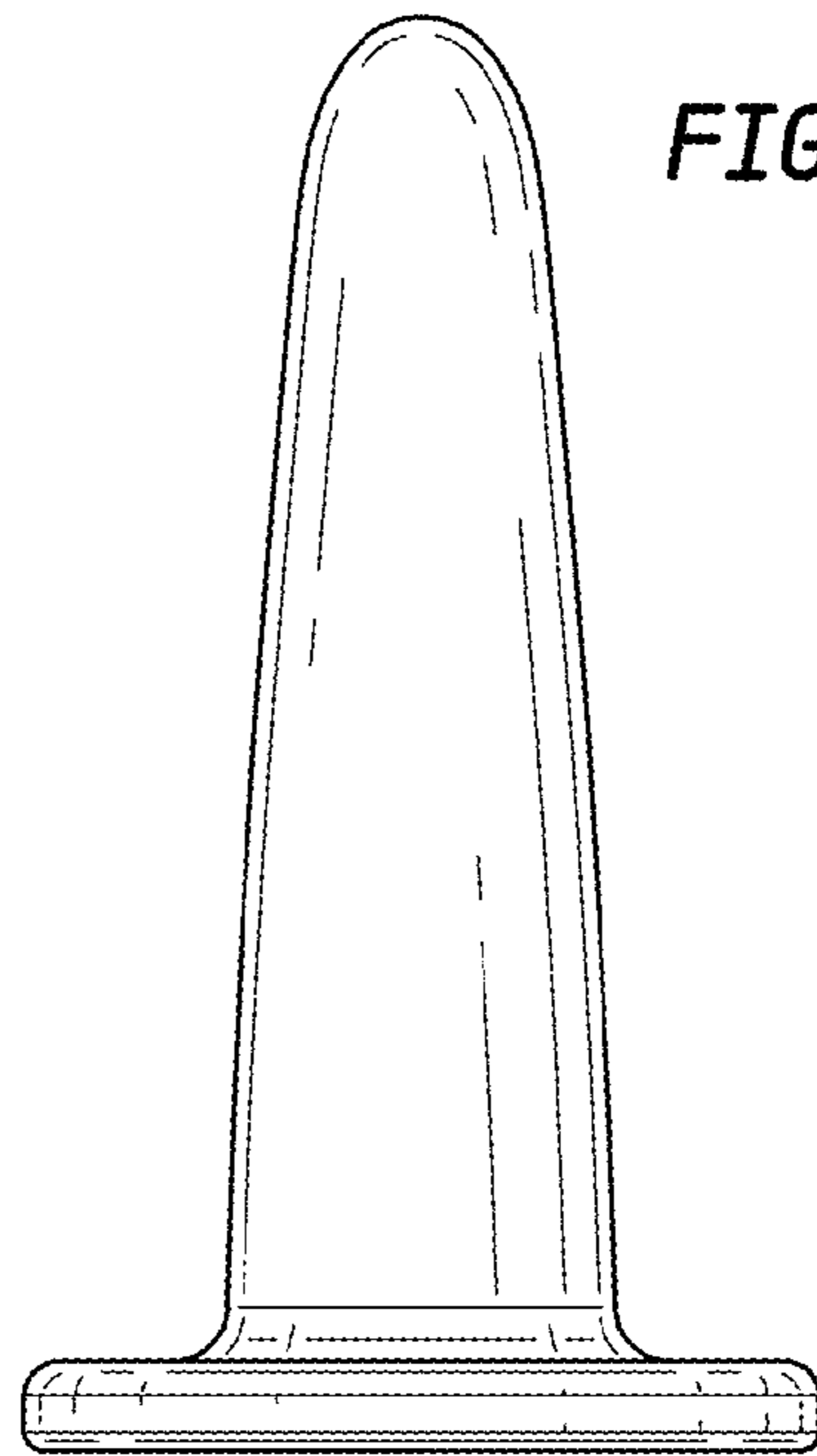


FIG. 16

FIG. 17

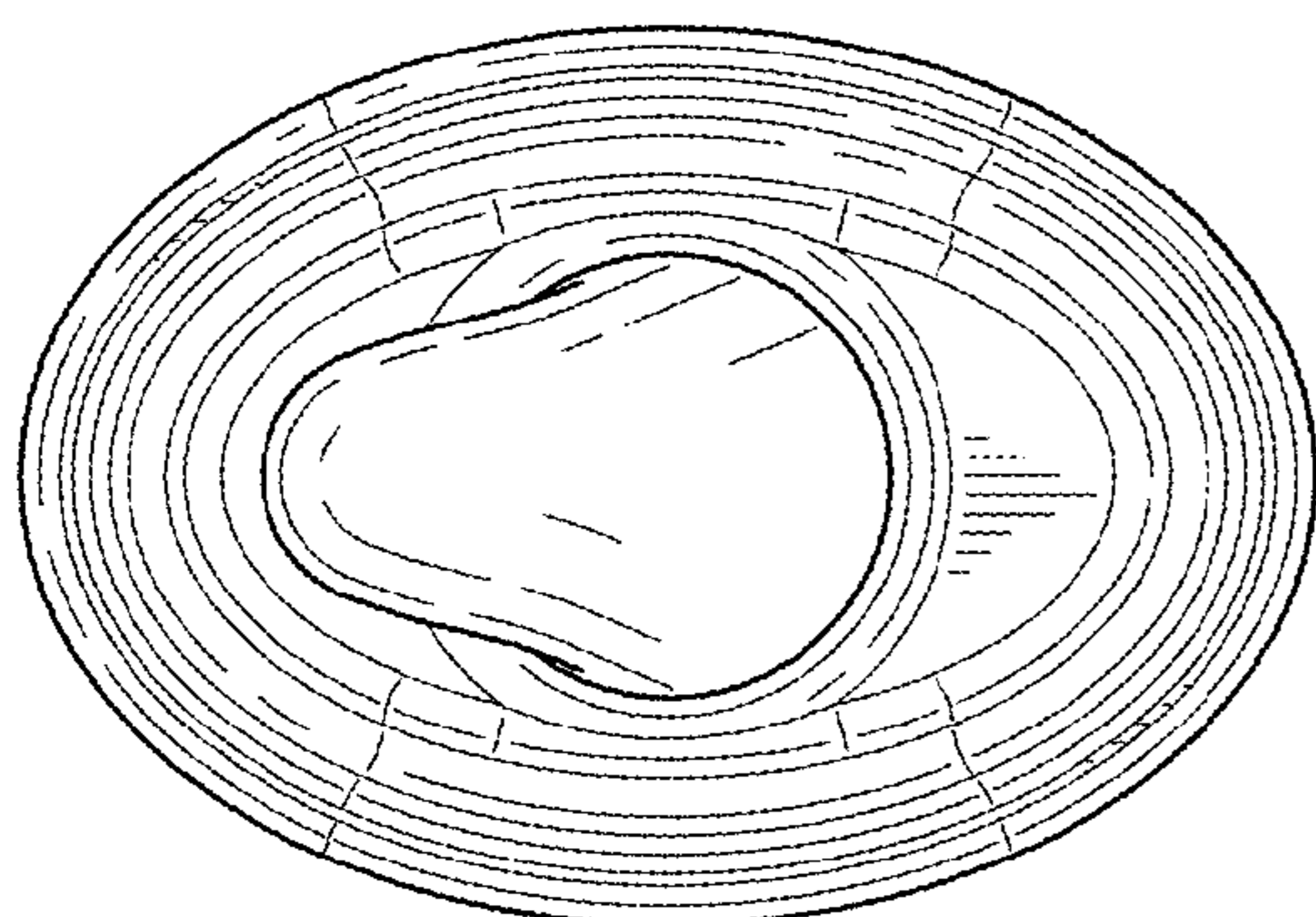
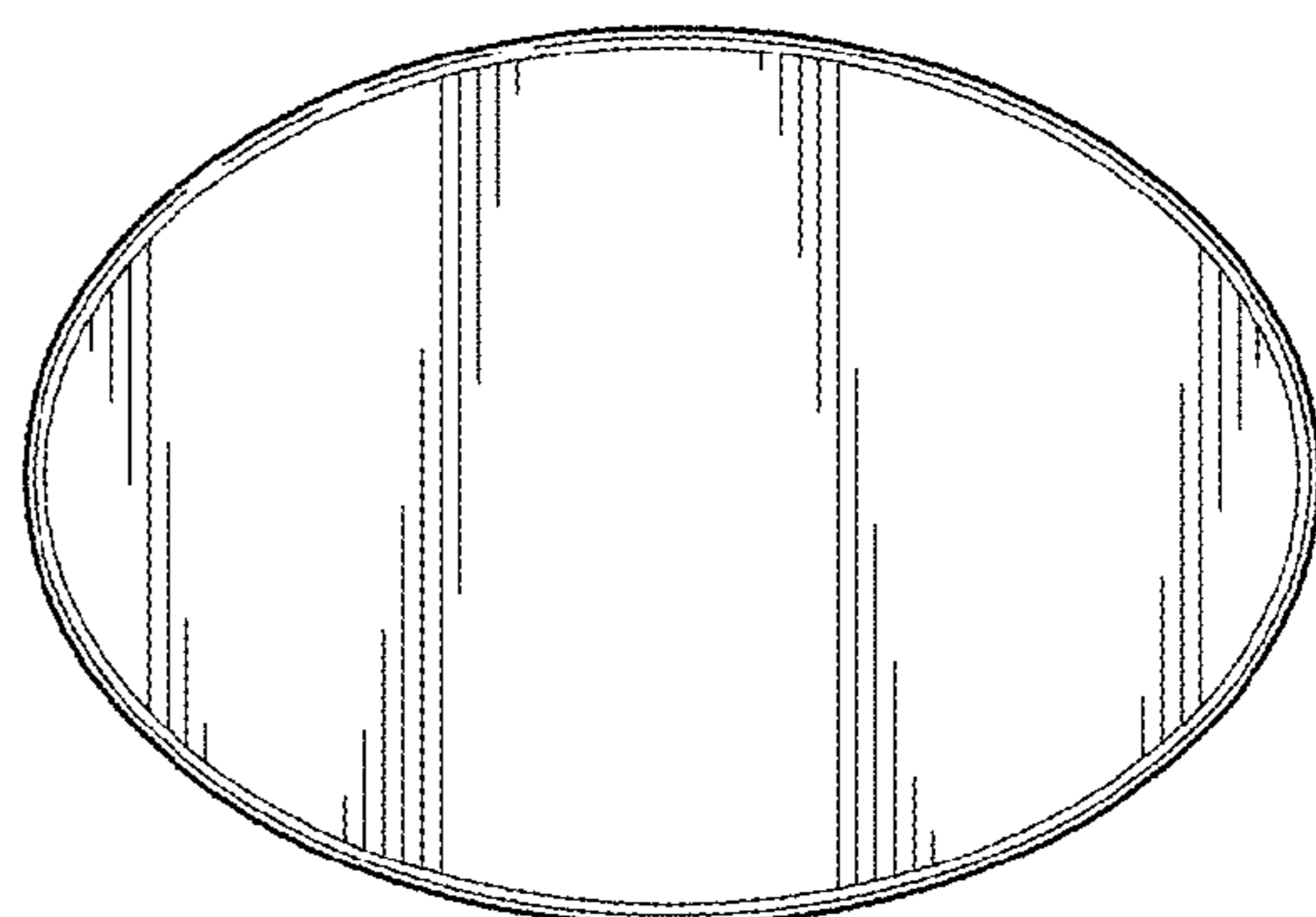


FIG. 18



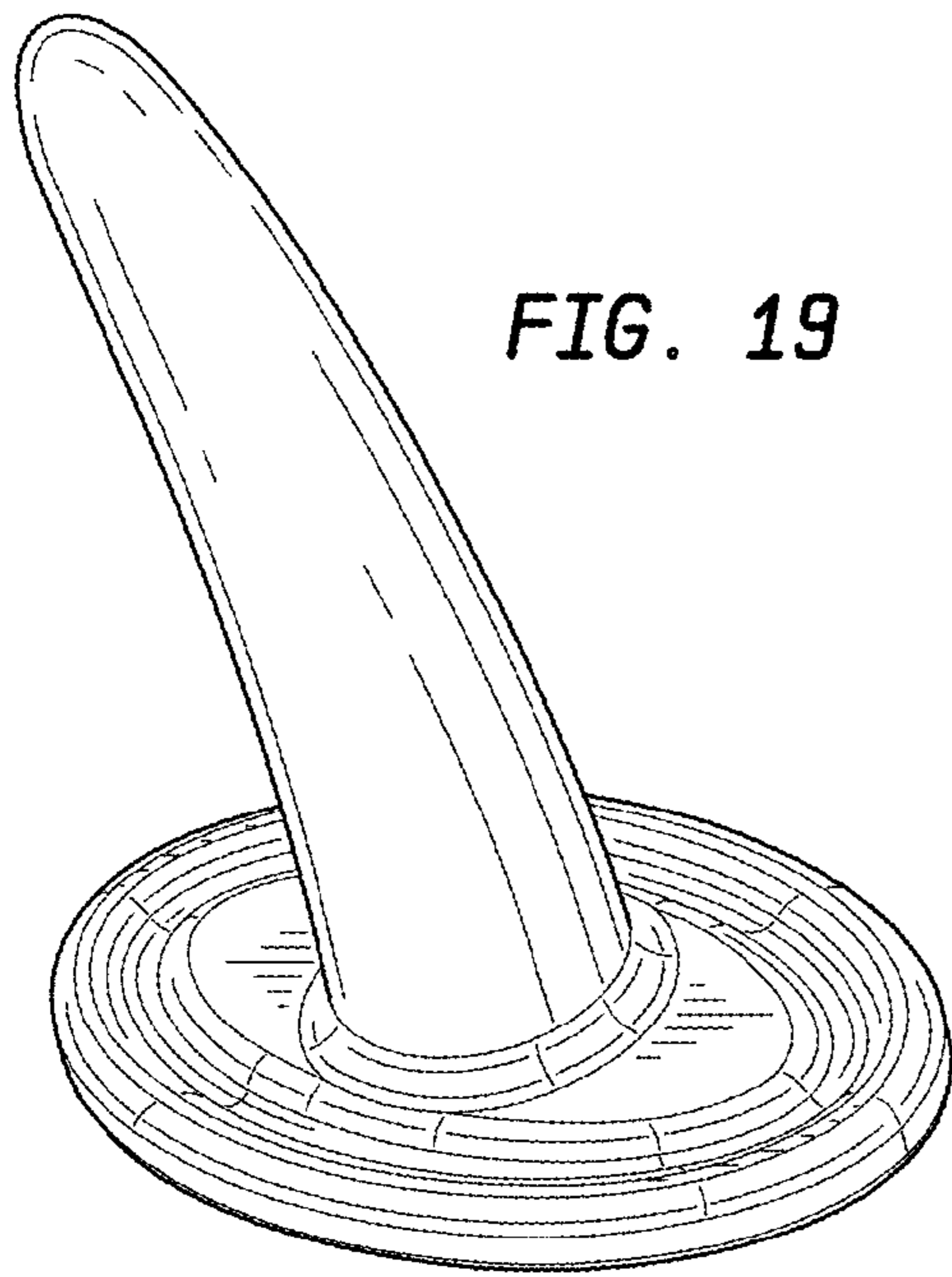


FIG. 19

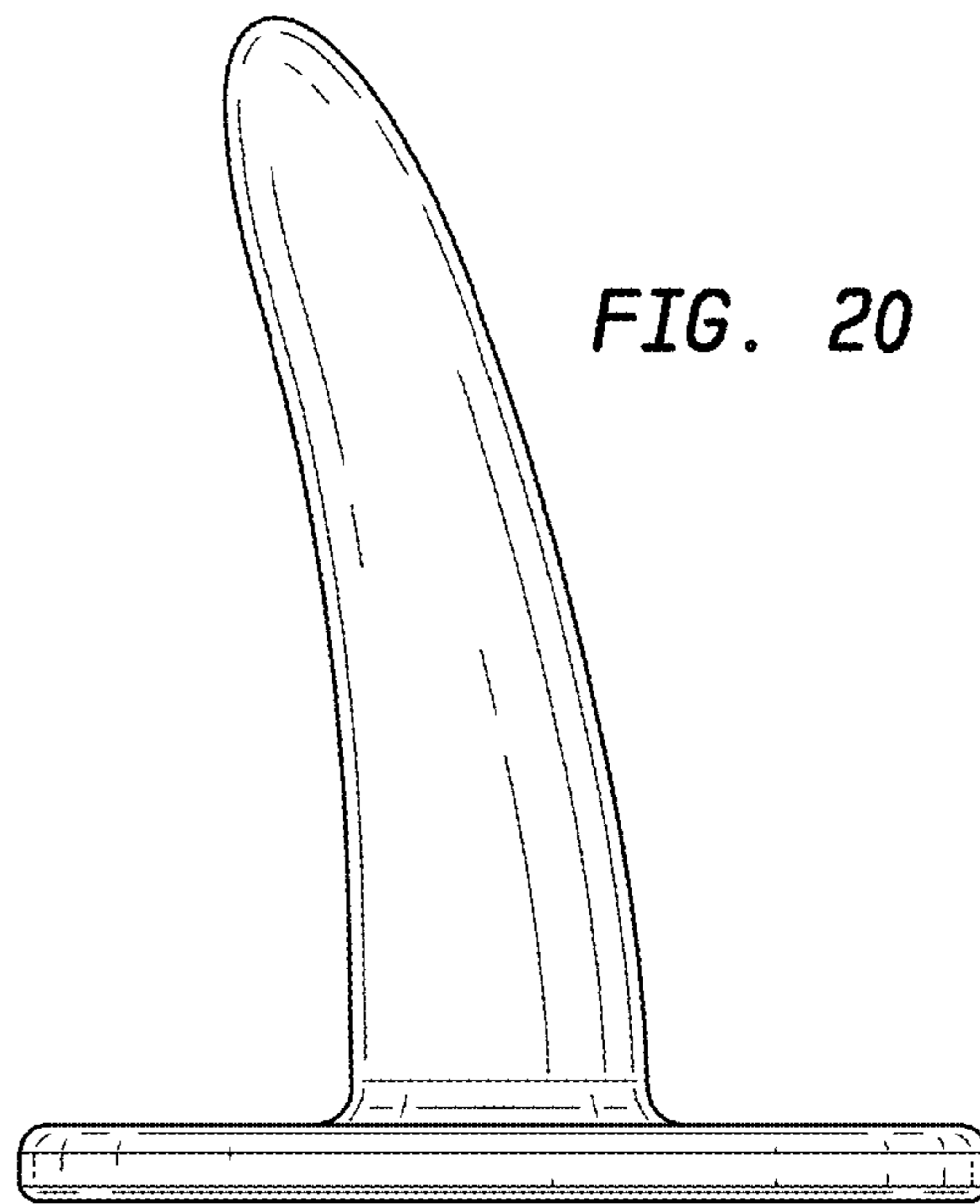


FIG. 20

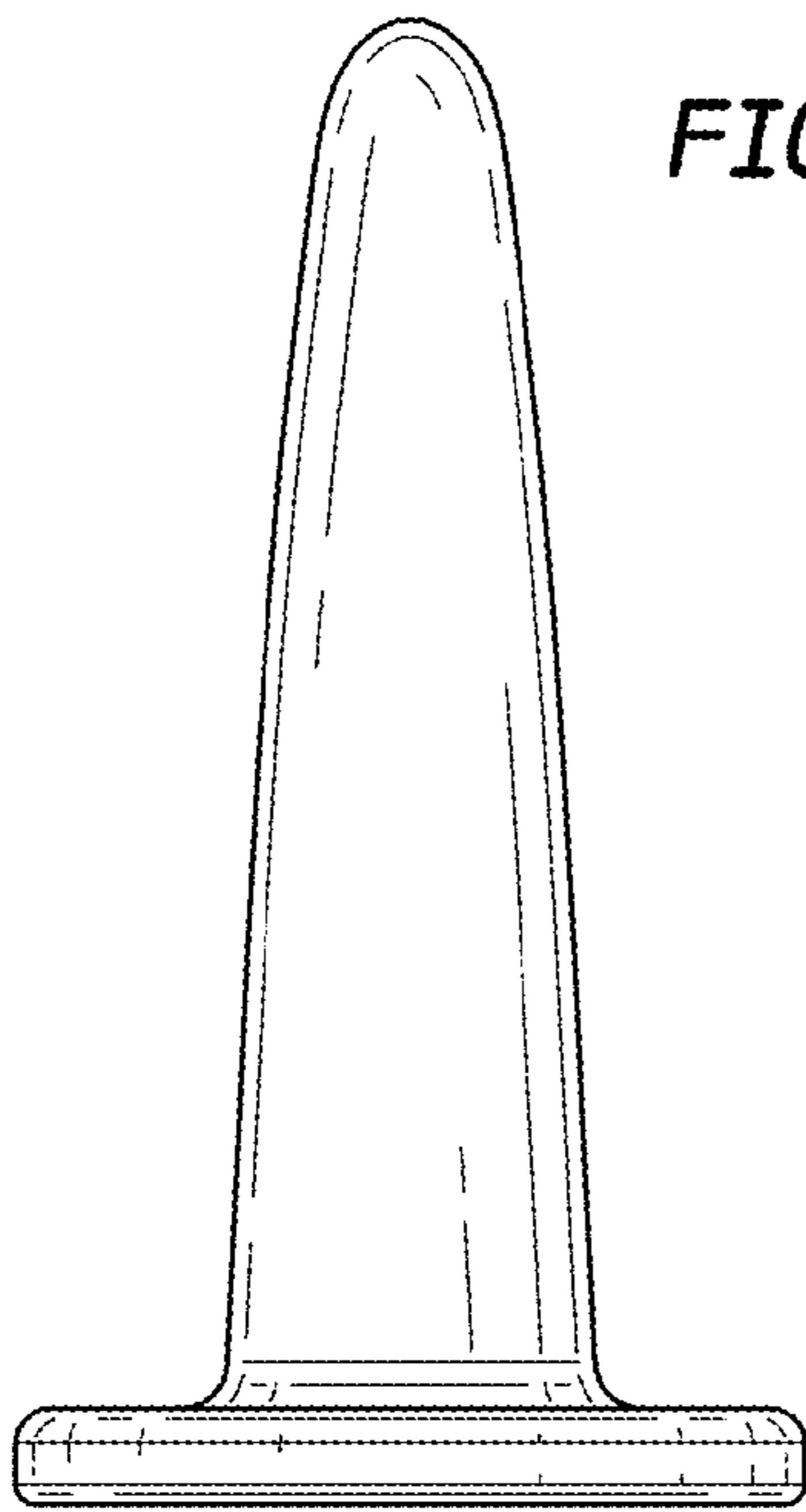


FIG. 21

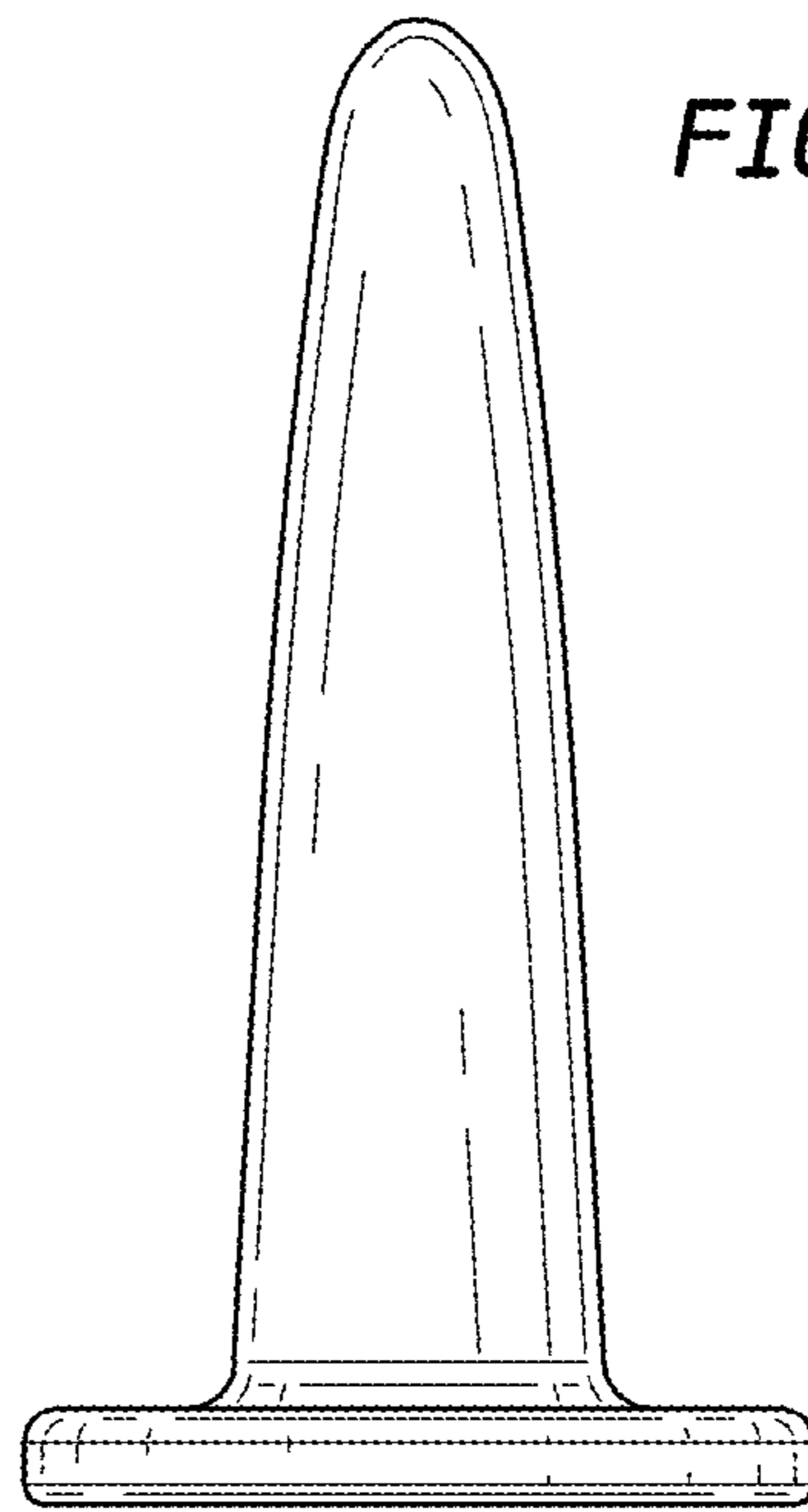


FIG. 22

FIG. 23

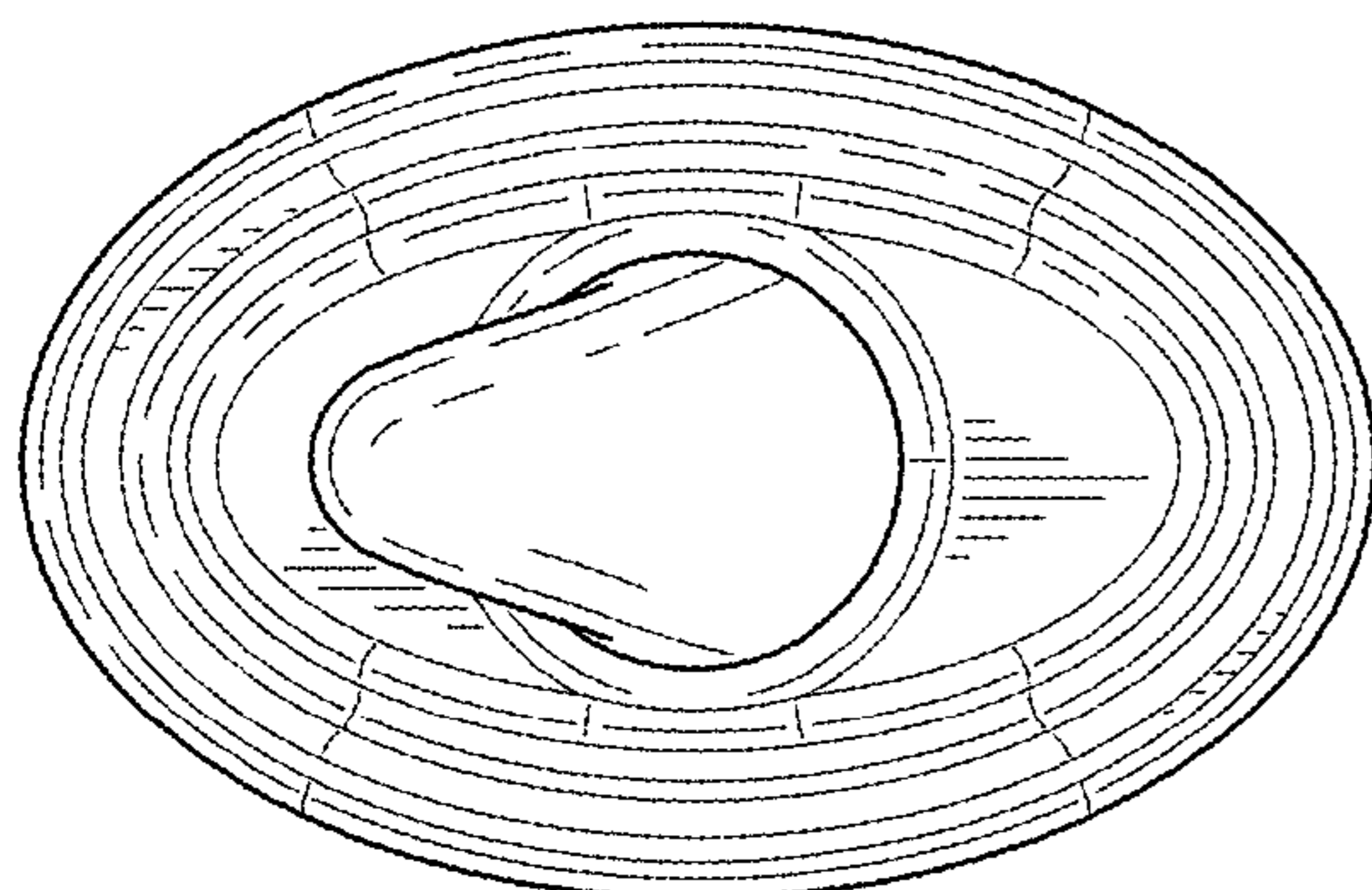
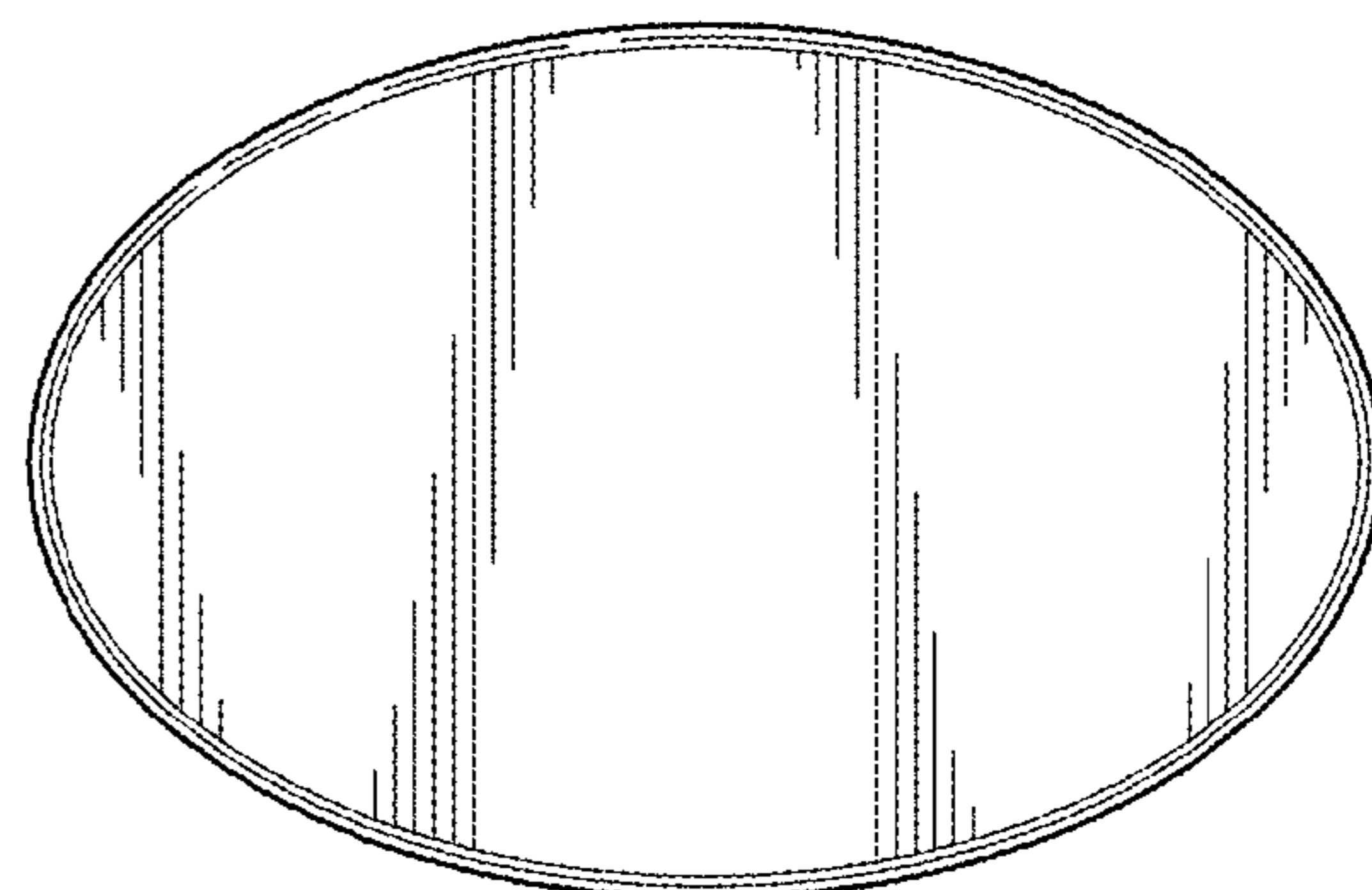


FIG. 24



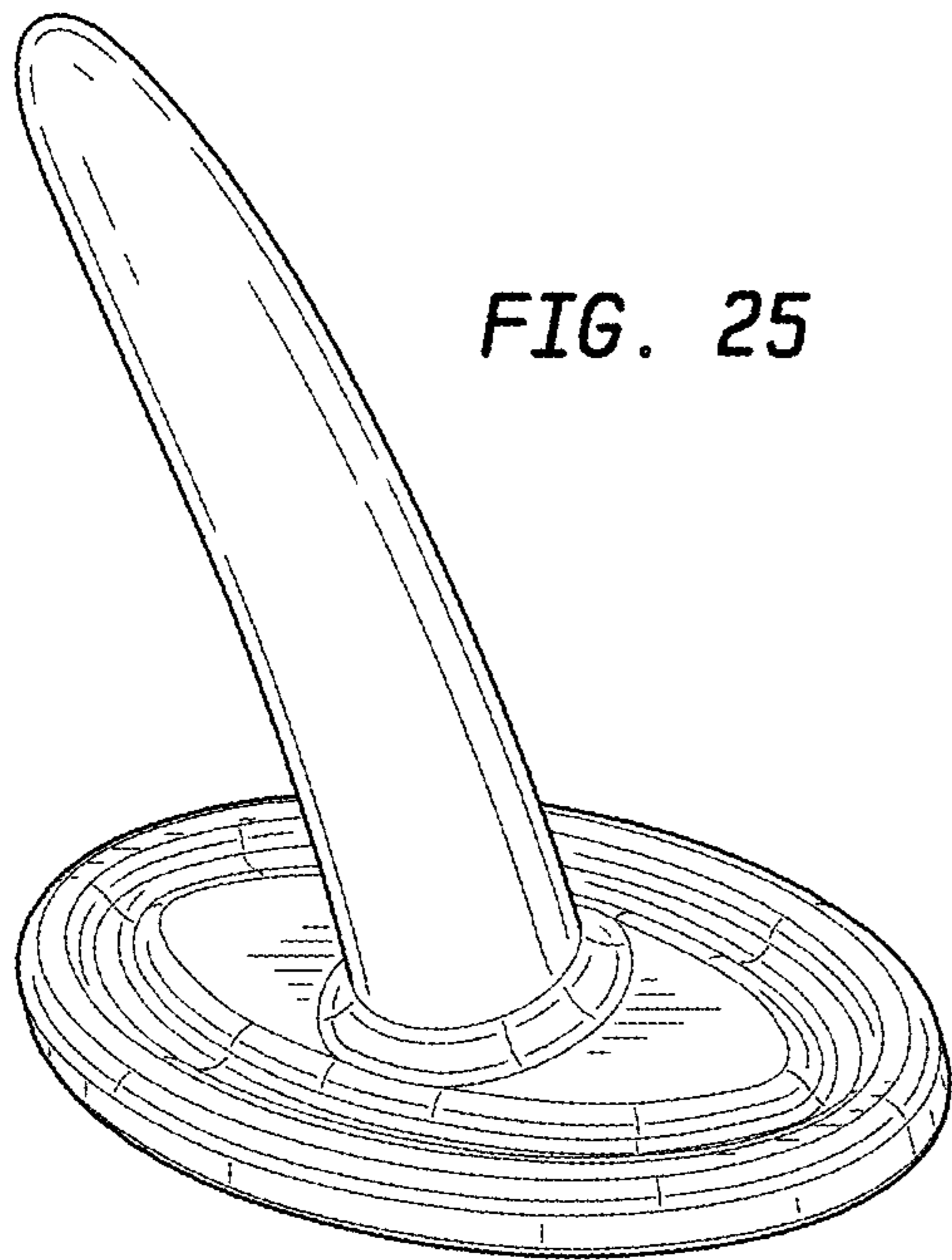


FIG. 25

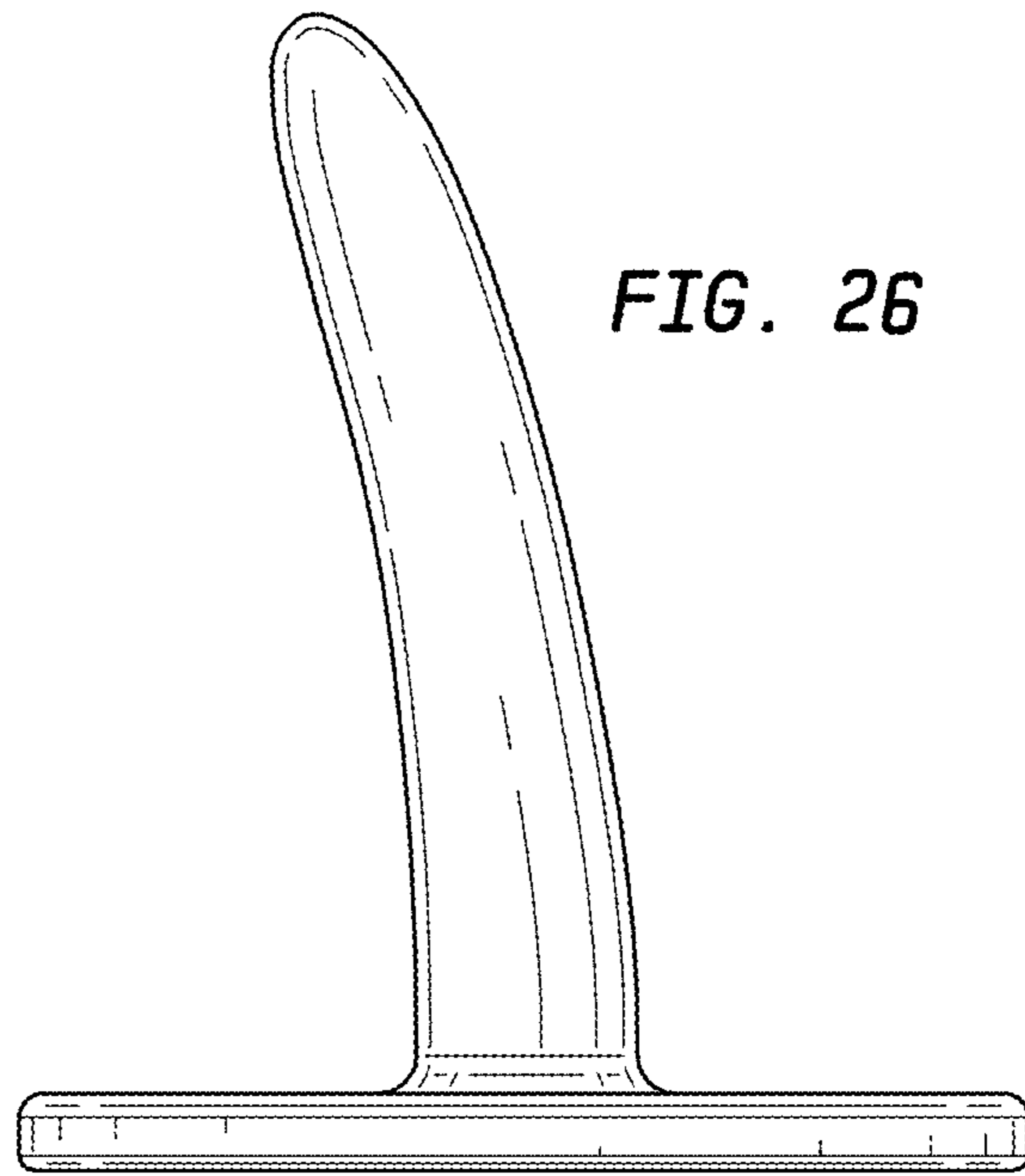


FIG. 26

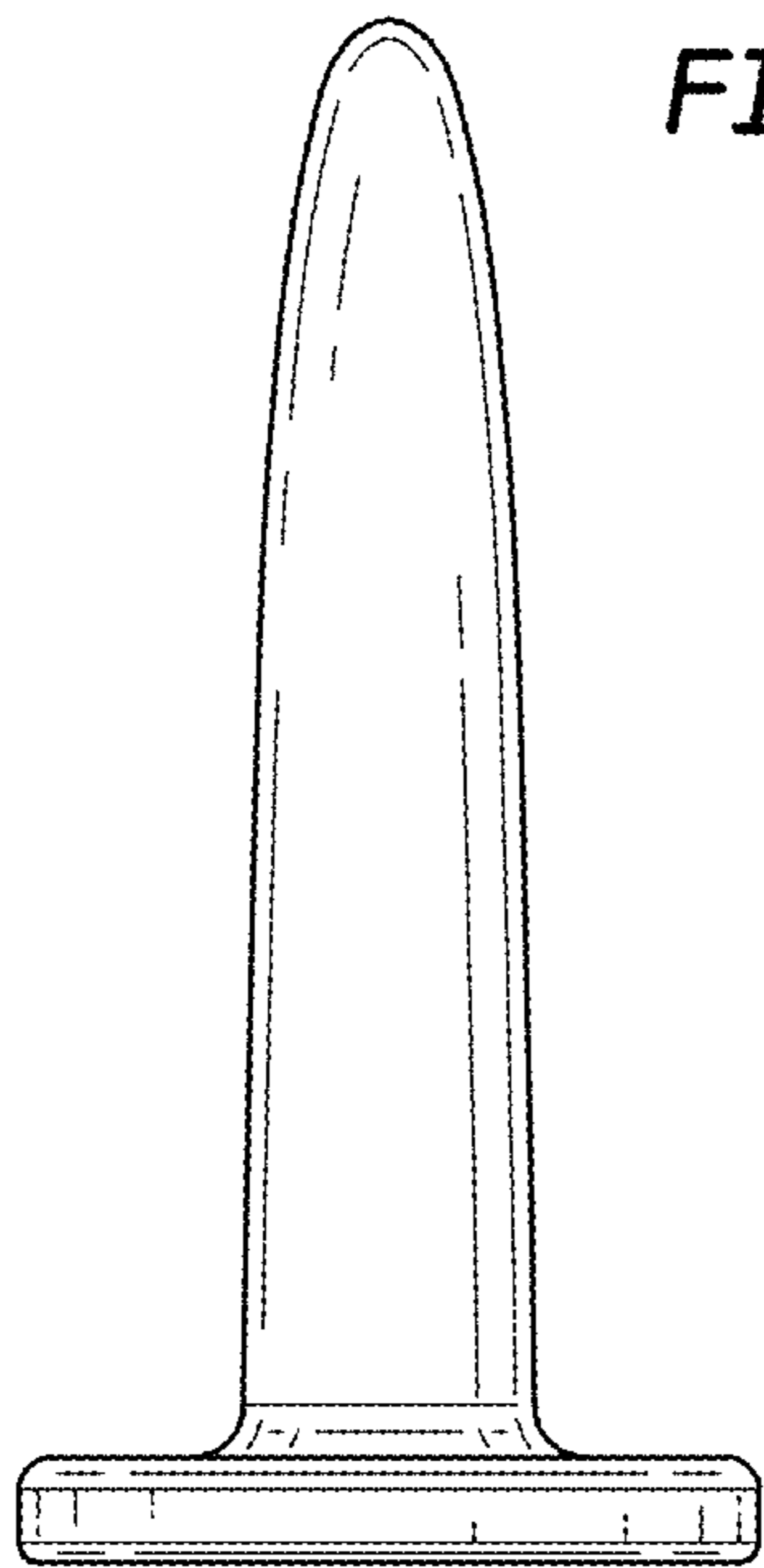


FIG. 27

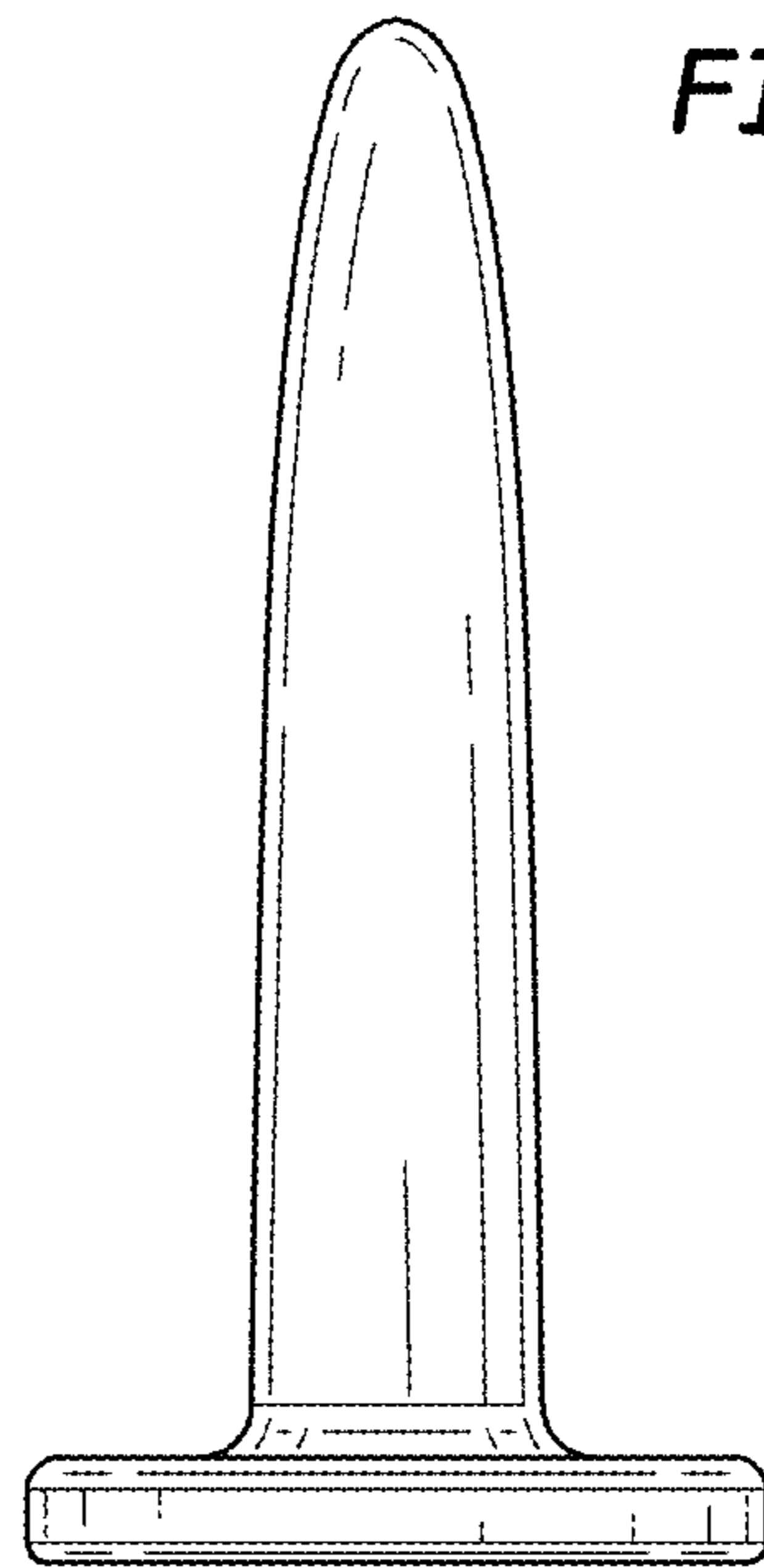


FIG. 28

FIG. 29

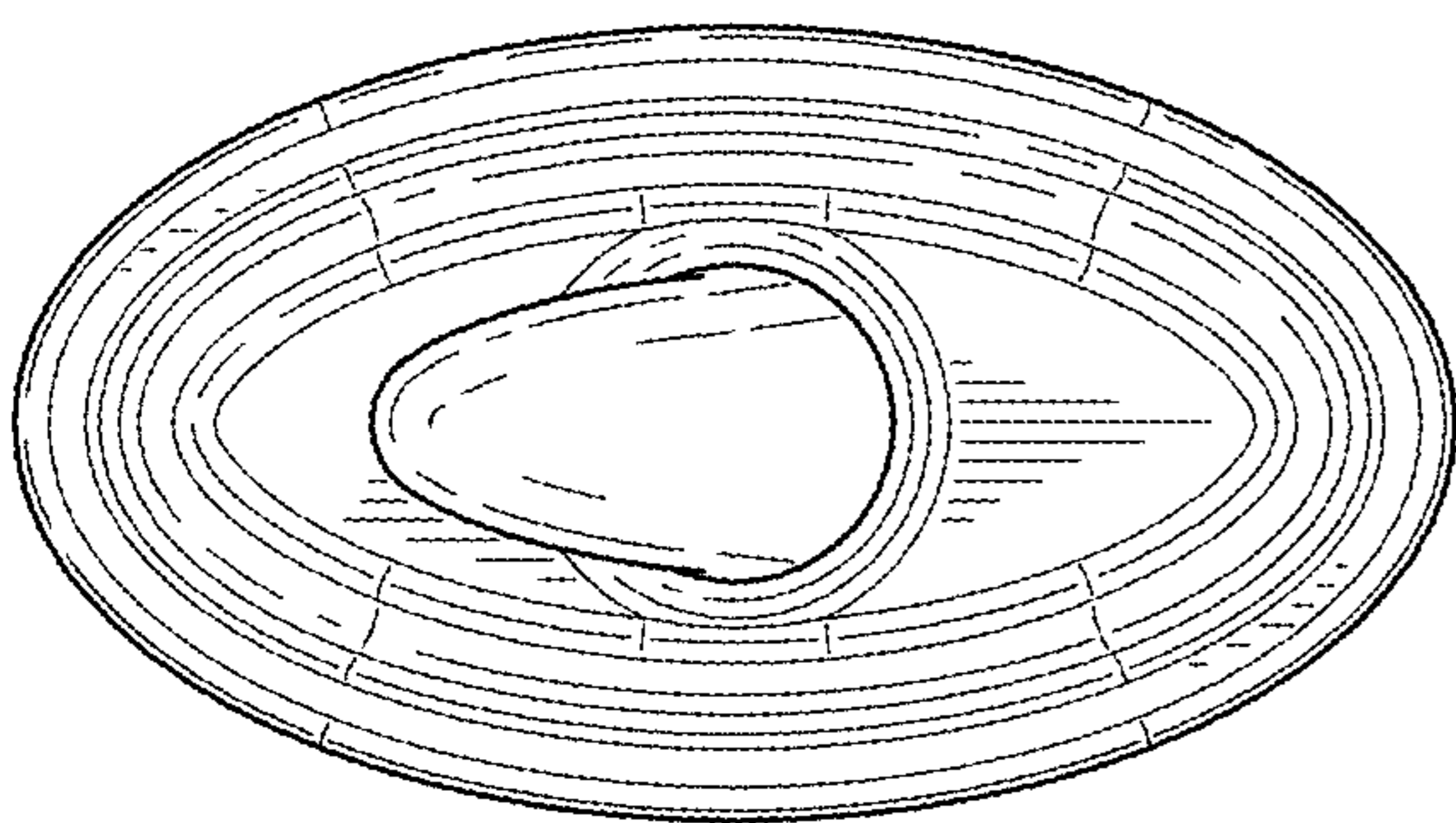


FIG. 30

