



(12) **United States Design Patent**
Hu

(10) **Patent No.:** **US D943,735 S**
(45) **Date of Patent:** **** Feb. 15, 2022**

(54) **RESPIRATORY MASK**
(71) Applicant: **Dongguan RenTong Silicon Plastic Products Co., Ltd., Dongguan (CN)**
(72) Inventor: **Guoren Hu, Dongguan (CN)**
(**) Term: **15 Years**
(21) Appl. No.: **29/738,024**
(22) Filed: **Jun. 14, 2020**
(51) **LOC (13) Cl.** **29-02**
(52) **U.S. Cl.**
USPC **D24/110.1**
(58) **Field of Classification Search**
USPC D24/110, 110.1–110.6, 162; D29/102, D29/105–108, 110
CPC . A41D 13/11; A41D 13/1107; A41D 13/1115; A41D 13/1123; A41D 13/113; A41D 13/1138; A41D 13/1146; A41D 13/1153; A41D 13/1161; A41D 13/1169; A41D 13/1176; A41D 2400/52; A62B 18/00; A62B 18/02; A62B 18/025; A62B 18/08; A62B 18/084; A62B 18/10
See application file for complete search history.

2016/0184617 A1* 6/2016 Walker A62B 23/025 128/206.12
2018/0280758 A1* 10/2018 Tao A63B 21/00058
2021/0307414 A1* 10/2021 Korathu-Larson A42B 7/00

FOREIGN PATENT DOCUMENTS

CN 305959597 * 7/2020
CN 305959607 * 7/2020
CN 306206975 * 12/2020
CN 212941057 U * 4/2021 A62B 18/10
CZ 15995-001 * 3/1985
KR 1789107 B1 * 10/2017 A41D 13/1161
RU 00122774 * 11/2020

* cited by examiner

Primary Examiner — Eric L Goodman
Assistant Examiner — Michael Hoffman
(74) *Attorney, Agent, or Firm* — Prakash Nama; Global IP Services, PLLC

(57) **CLAIM**

The ornamental design for a respiratory mask, as shown and described.

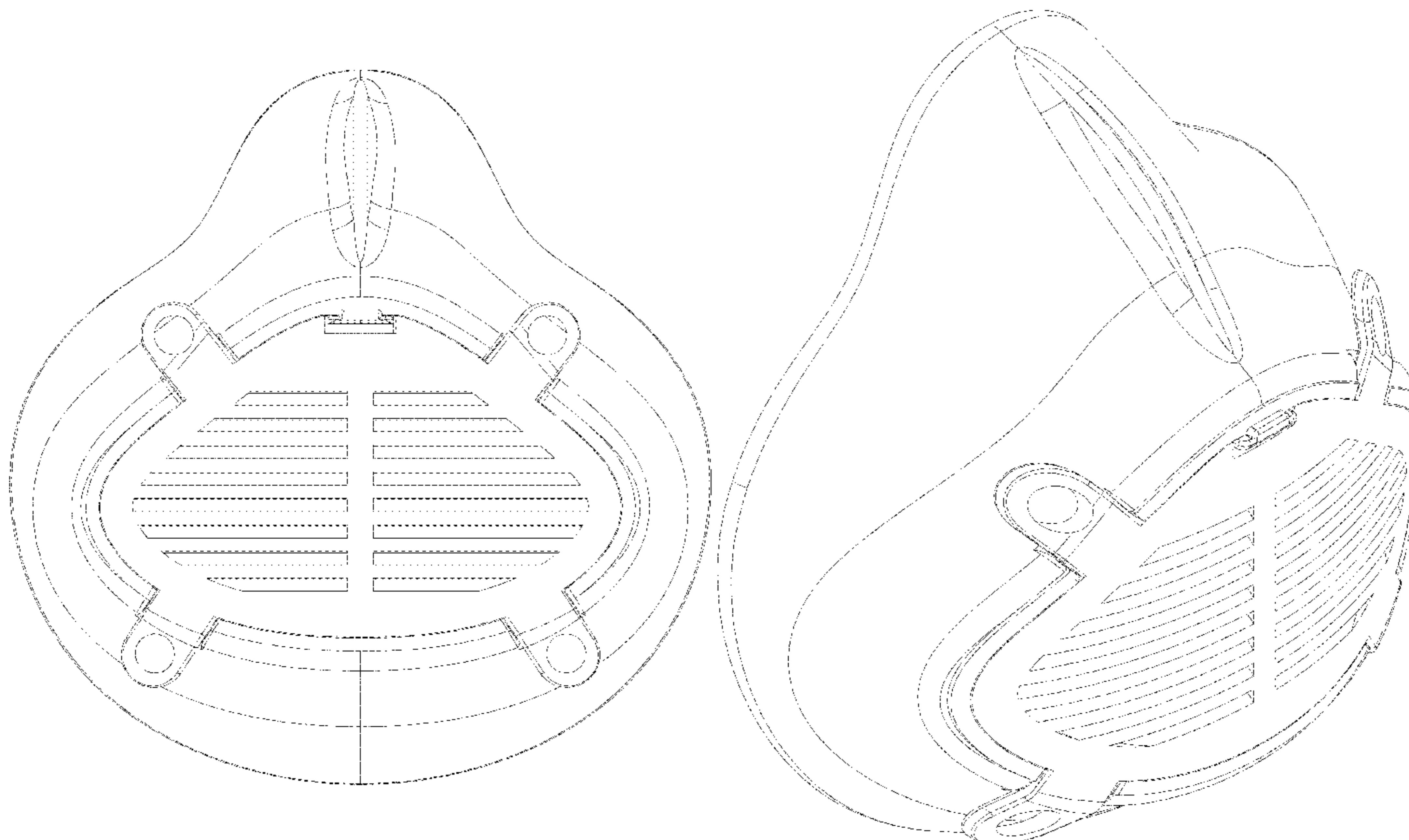
DESCRIPTION

FIG. 1 is a front elevational view of a respiratory mask showing my new design;
FIG. 2 is a rear elevational view thereof;
FIG. 3 is a left side view thereof;
FIG. 4 is a right side view thereof;
FIG. 5 is a top plan view thereof;
FIG. 6 is a bottom plan view thereof;
FIG. 7 is a perspective view thereof;
FIG. 8 is a second perspective view thereof;
FIG. 9 is a third perspective view thereof;
FIG. 10 is a fourth perspective view thereof;
FIG. 11 is a fifth perspective view thereof; and,
FIG. 12 is a sixth perspective view thereof.

(56) **References Cited**
U.S. PATENT DOCUMENTS

D665,903 S * 8/2012 Sullivan, Jr. D24/110.1
D812,737 S * 3/2018 Moulton D24/110.1
D819,194 S * 5/2018 Wenger D24/110.1
D844,253 S * 3/2019 Cho D29/108
D923,775 S * 6/2021 Gilner D24/110.1
2010/0269831 A1* 10/2010 Skov A62B 18/10 128/206.15
2015/0053206 A1* 2/2015 Seppala A62B 18/025 128/202.27

1 Claim, 12 Drawing Sheets



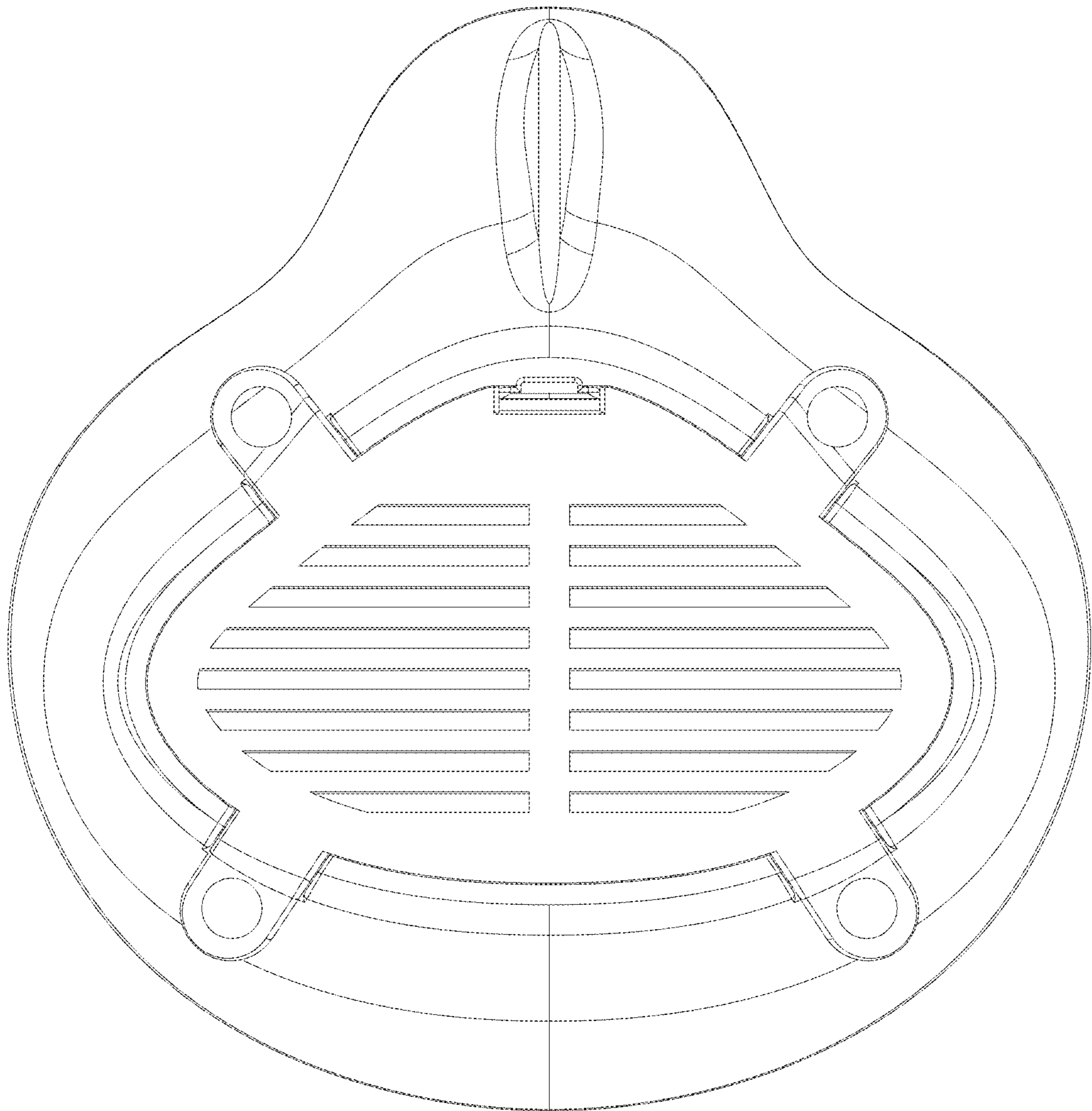


FIG. 1

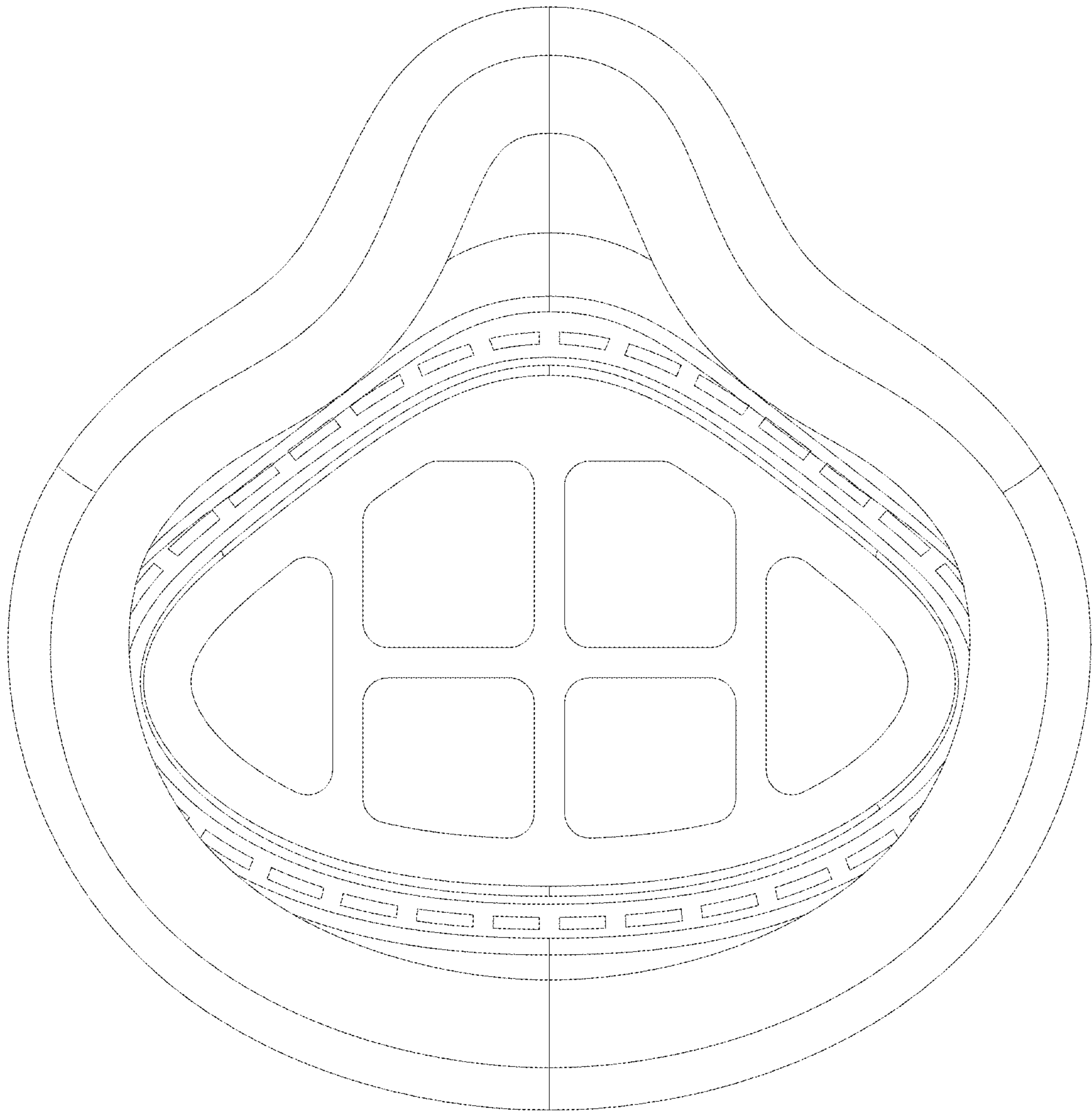


FIG. 2

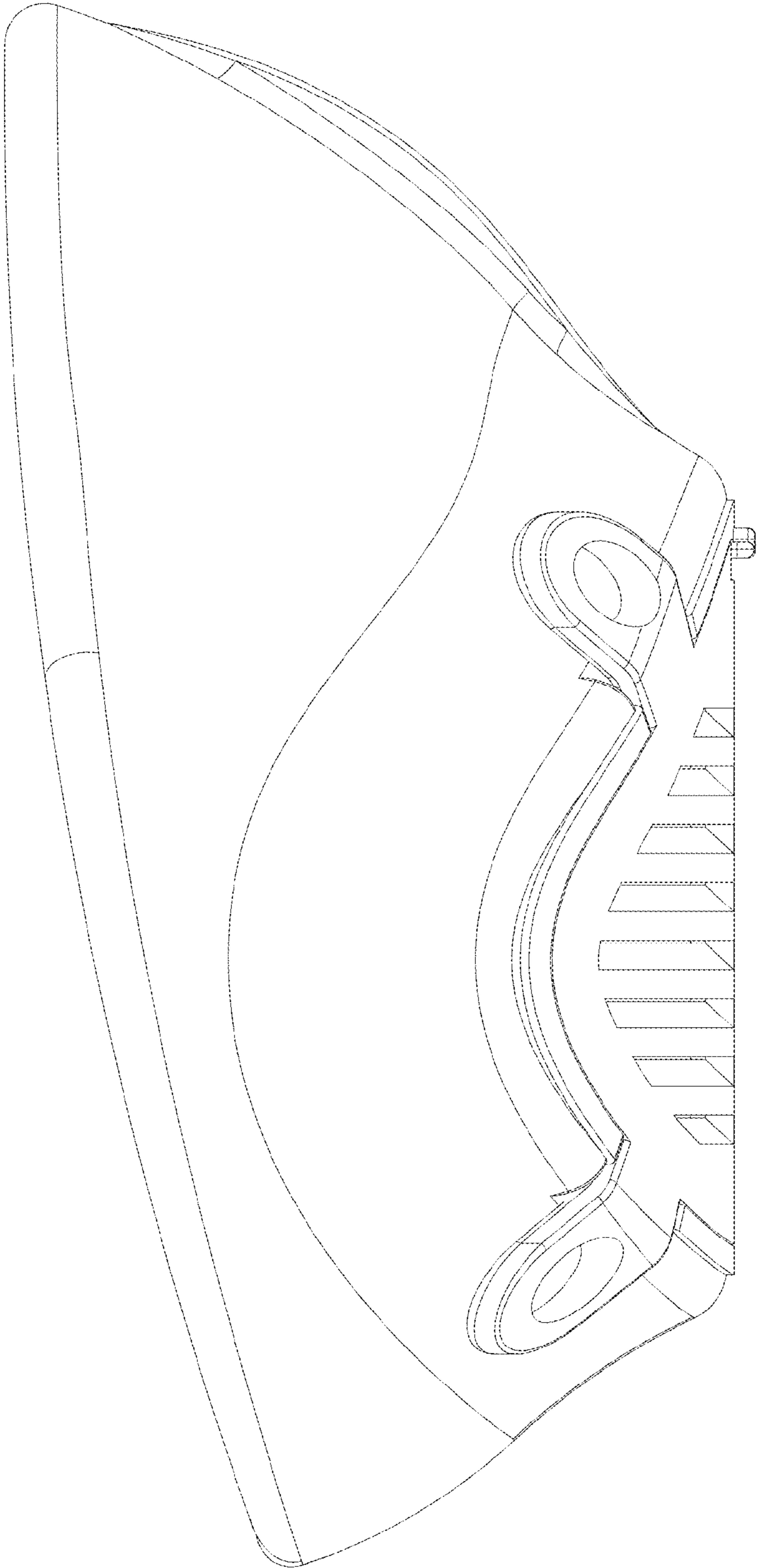


FIG. 3

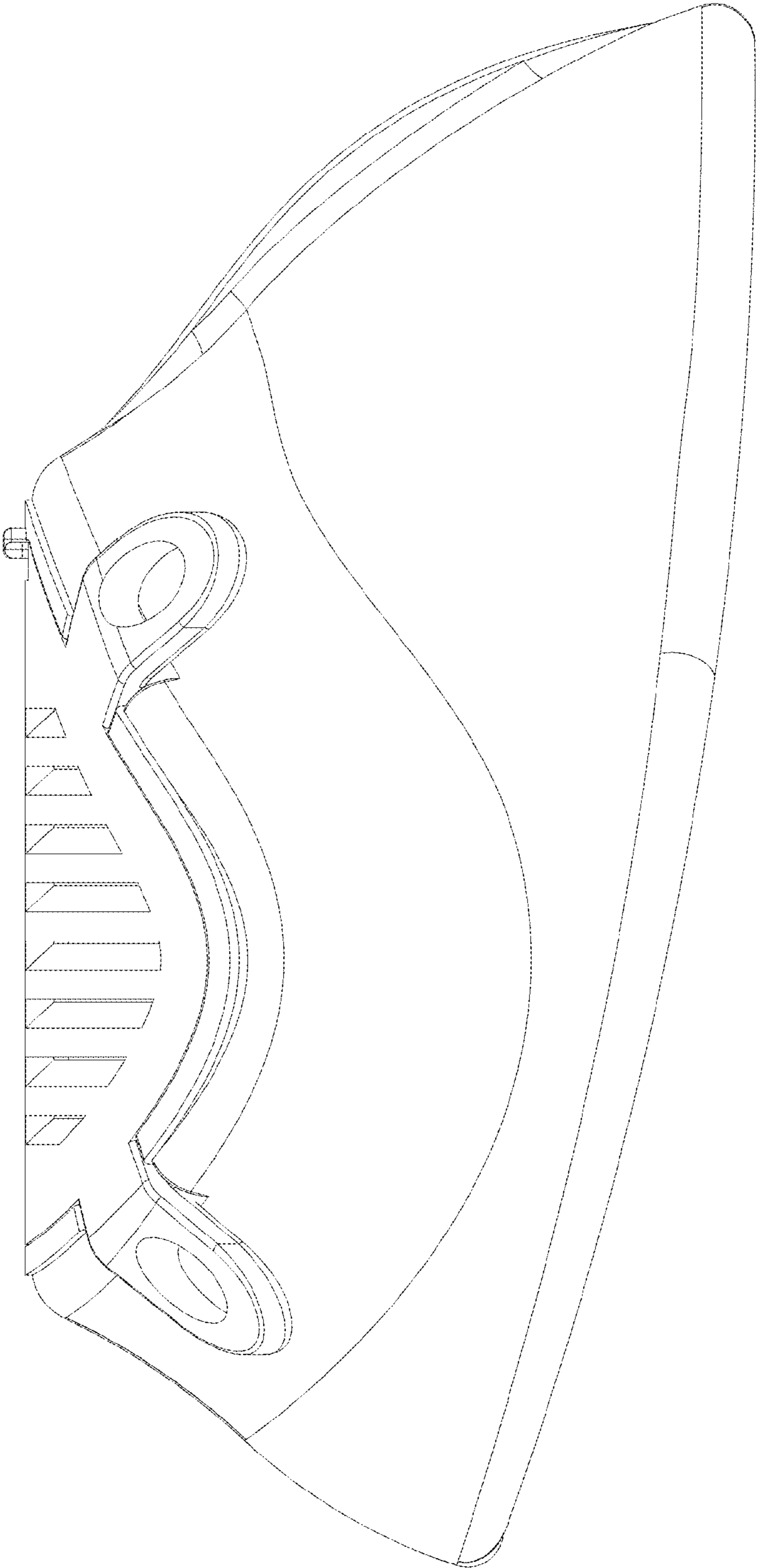


FIG. 4

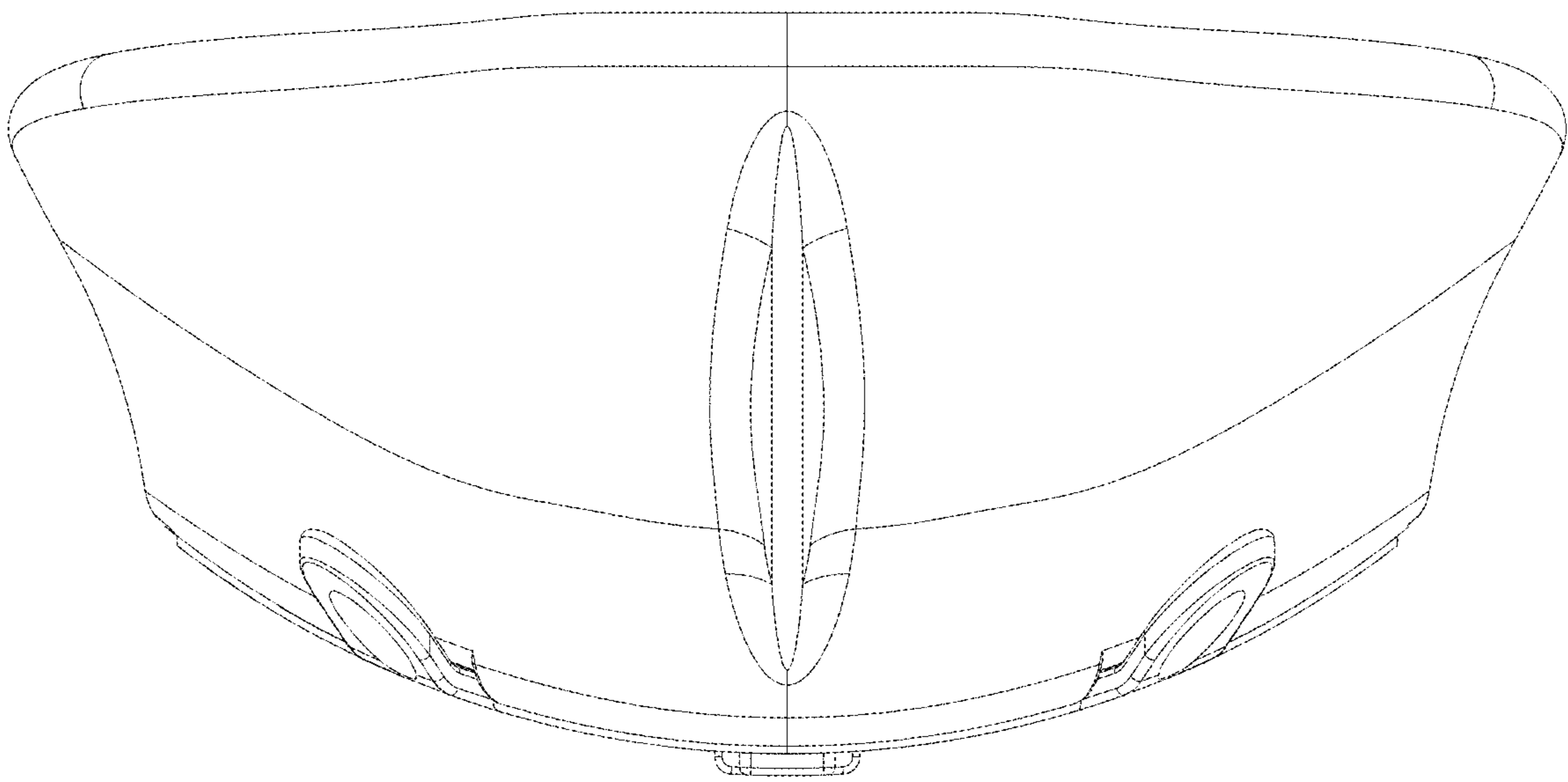


FIG. 5

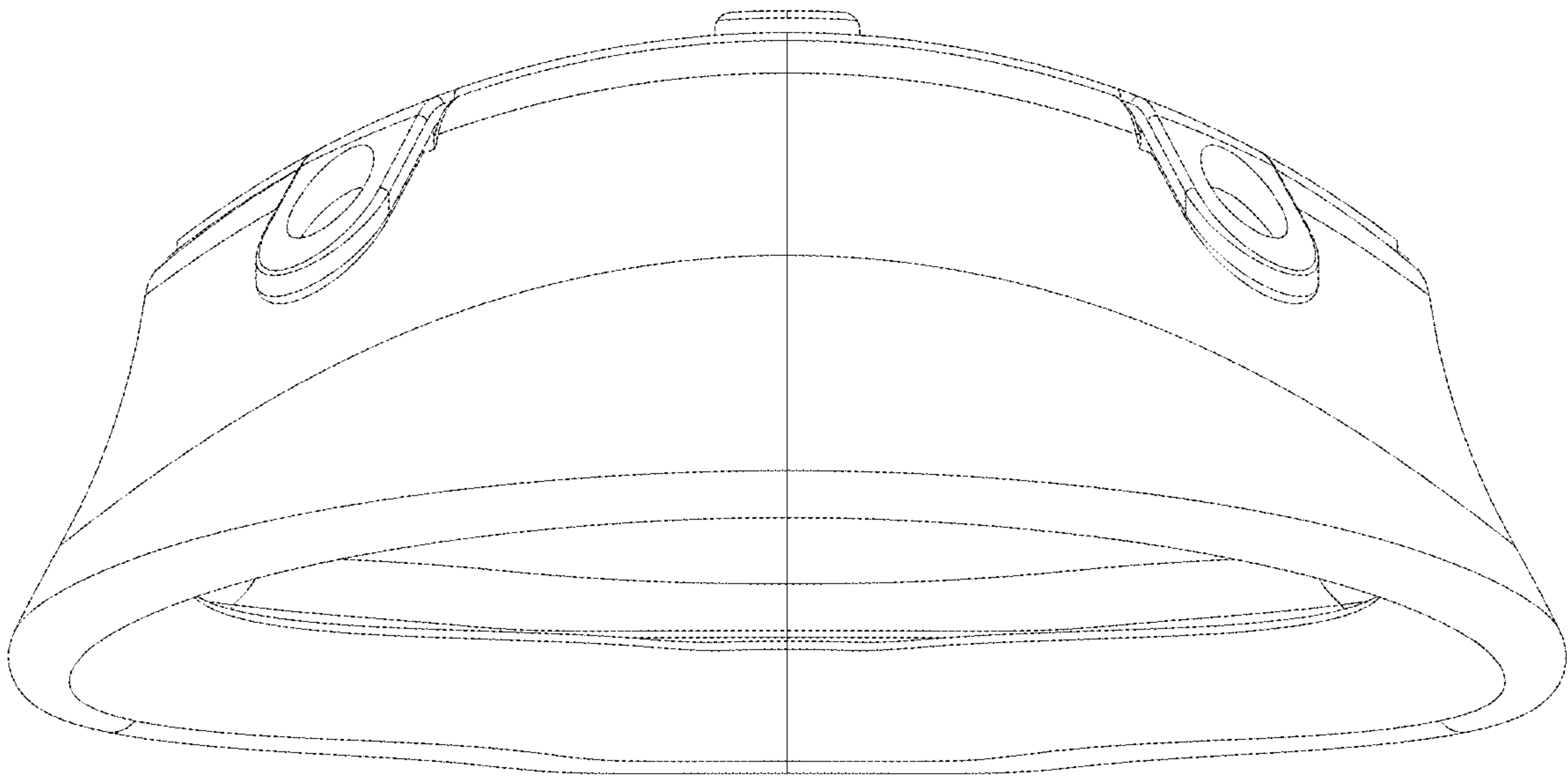


FIG. 6

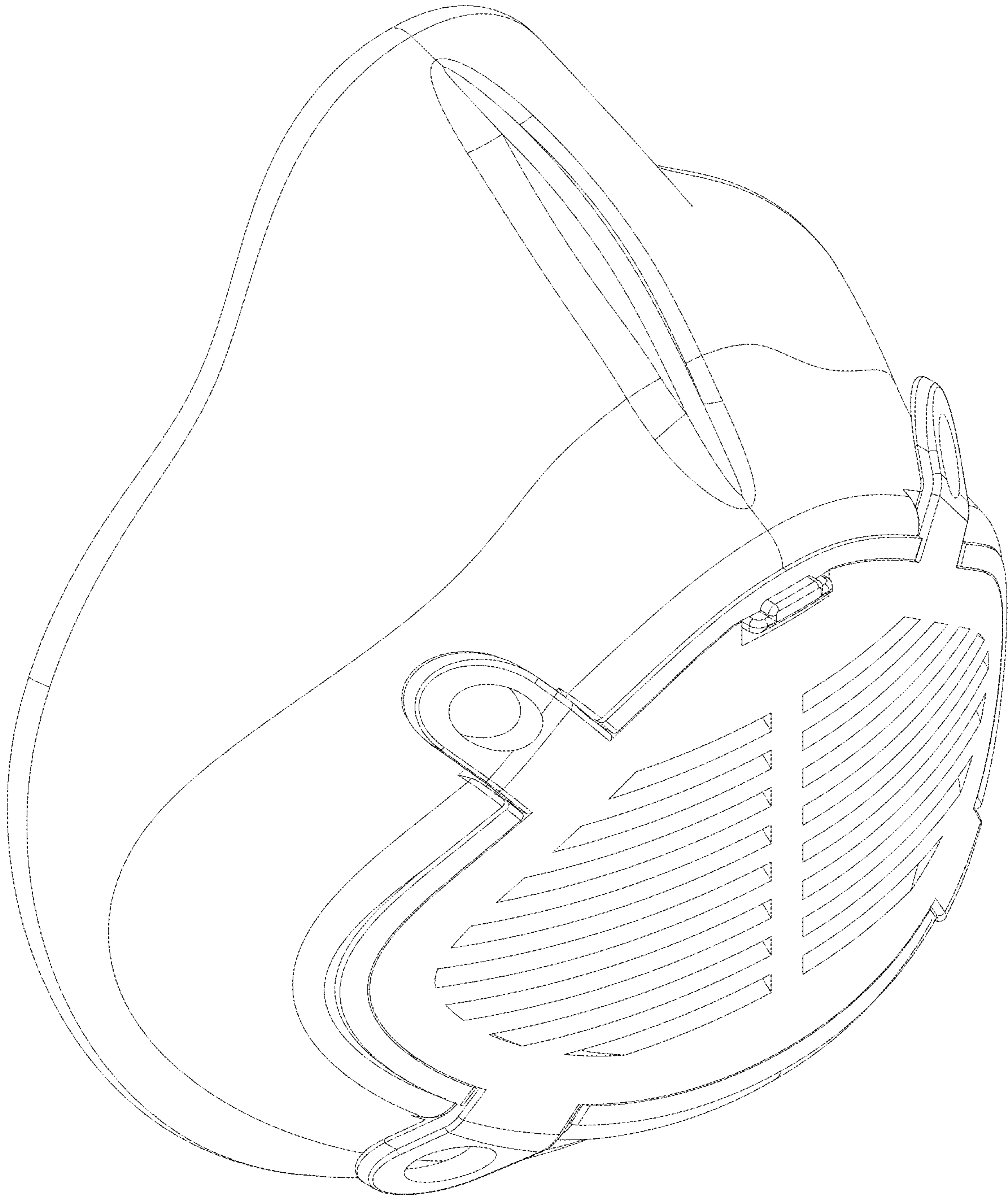


FIG. 7

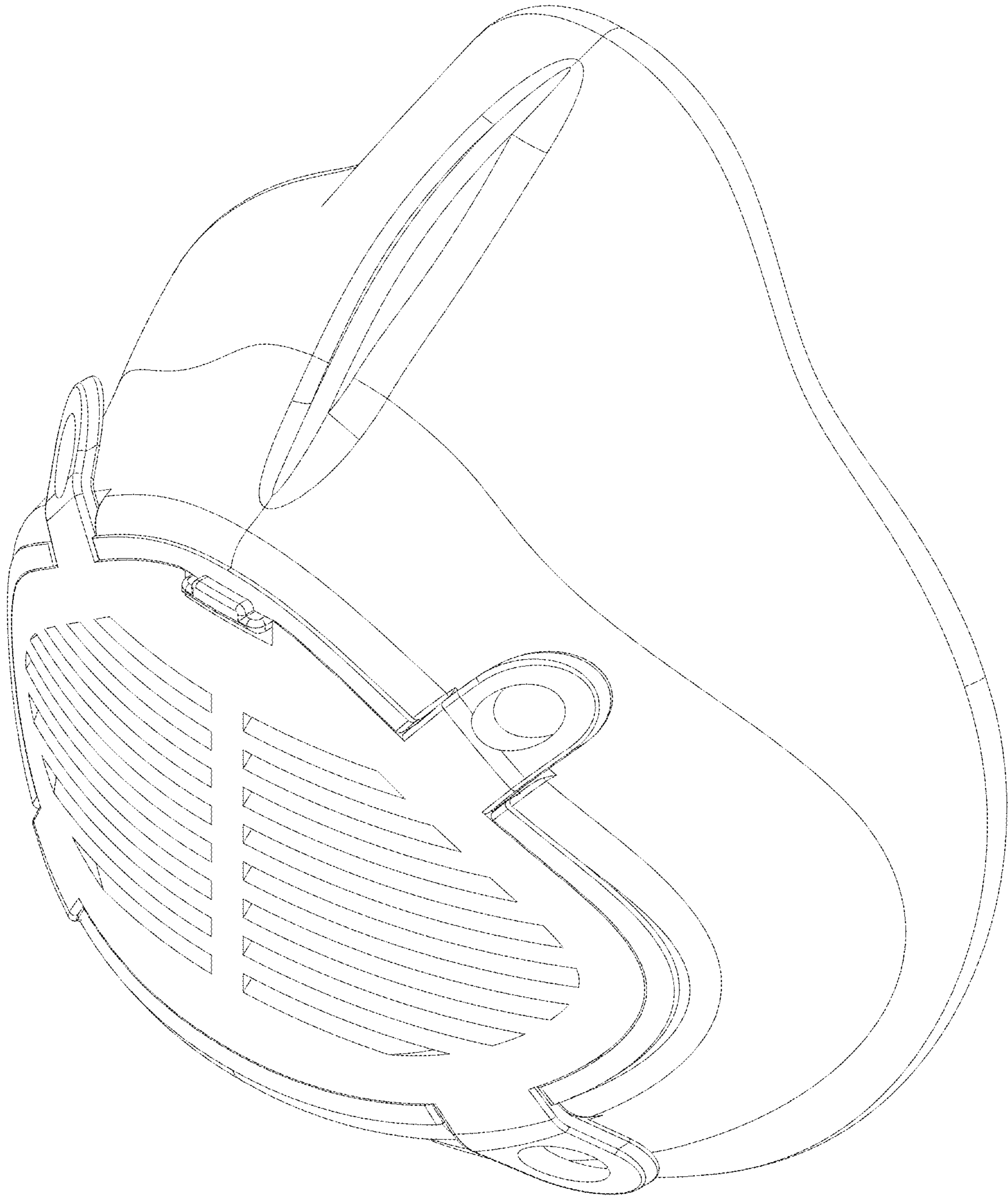


FIG. 8

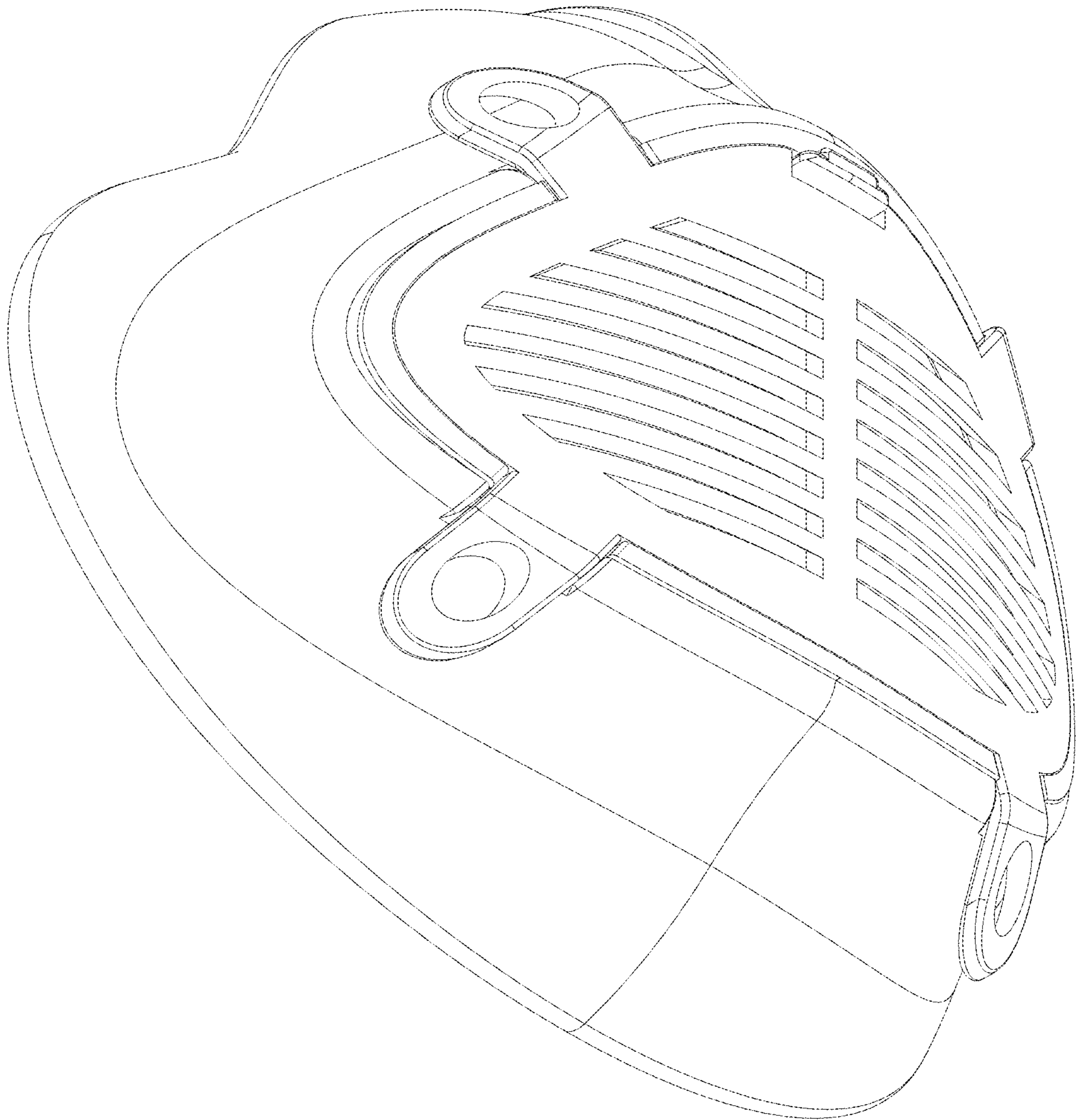


FIG. 9

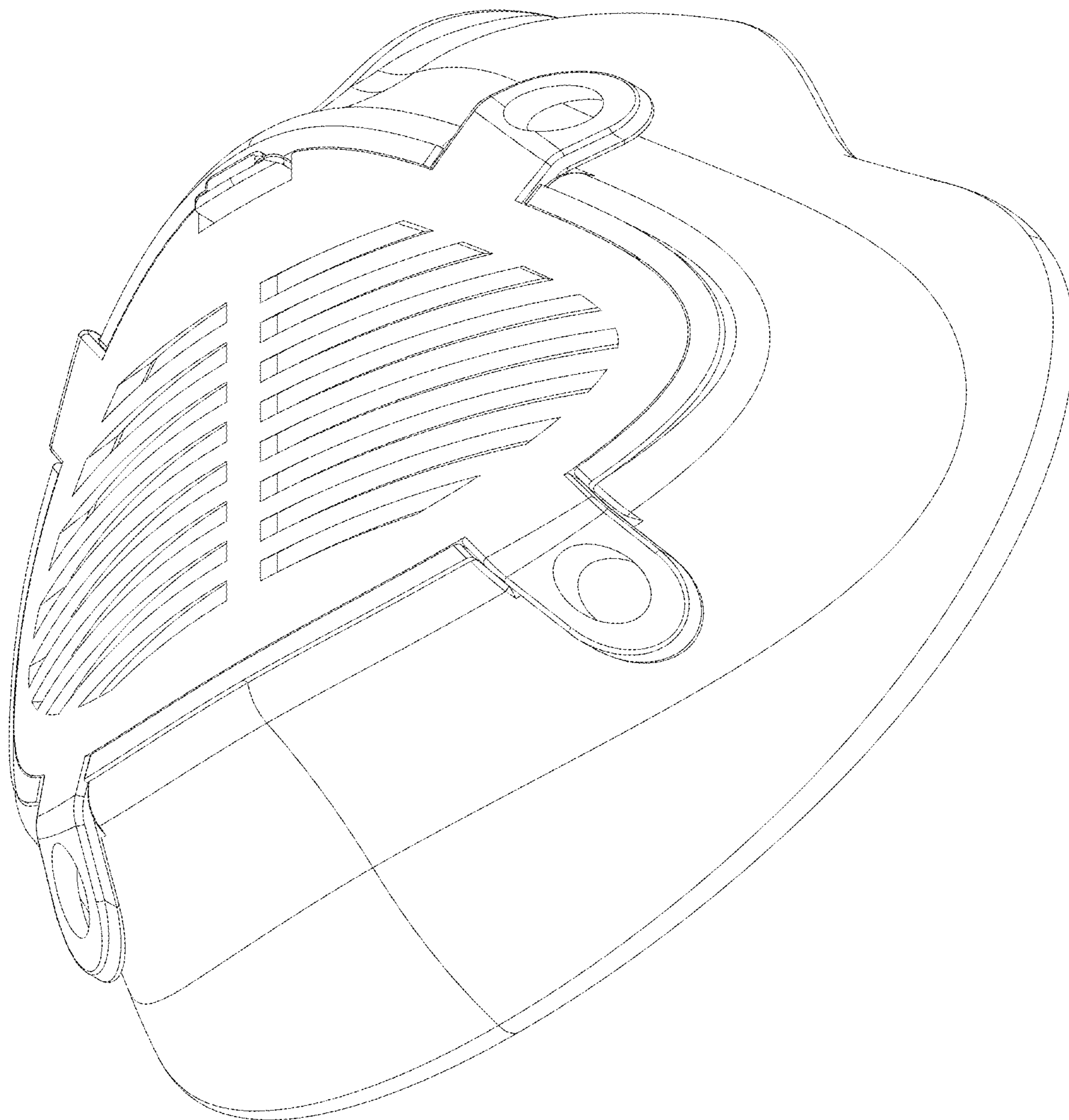


FIG. 10

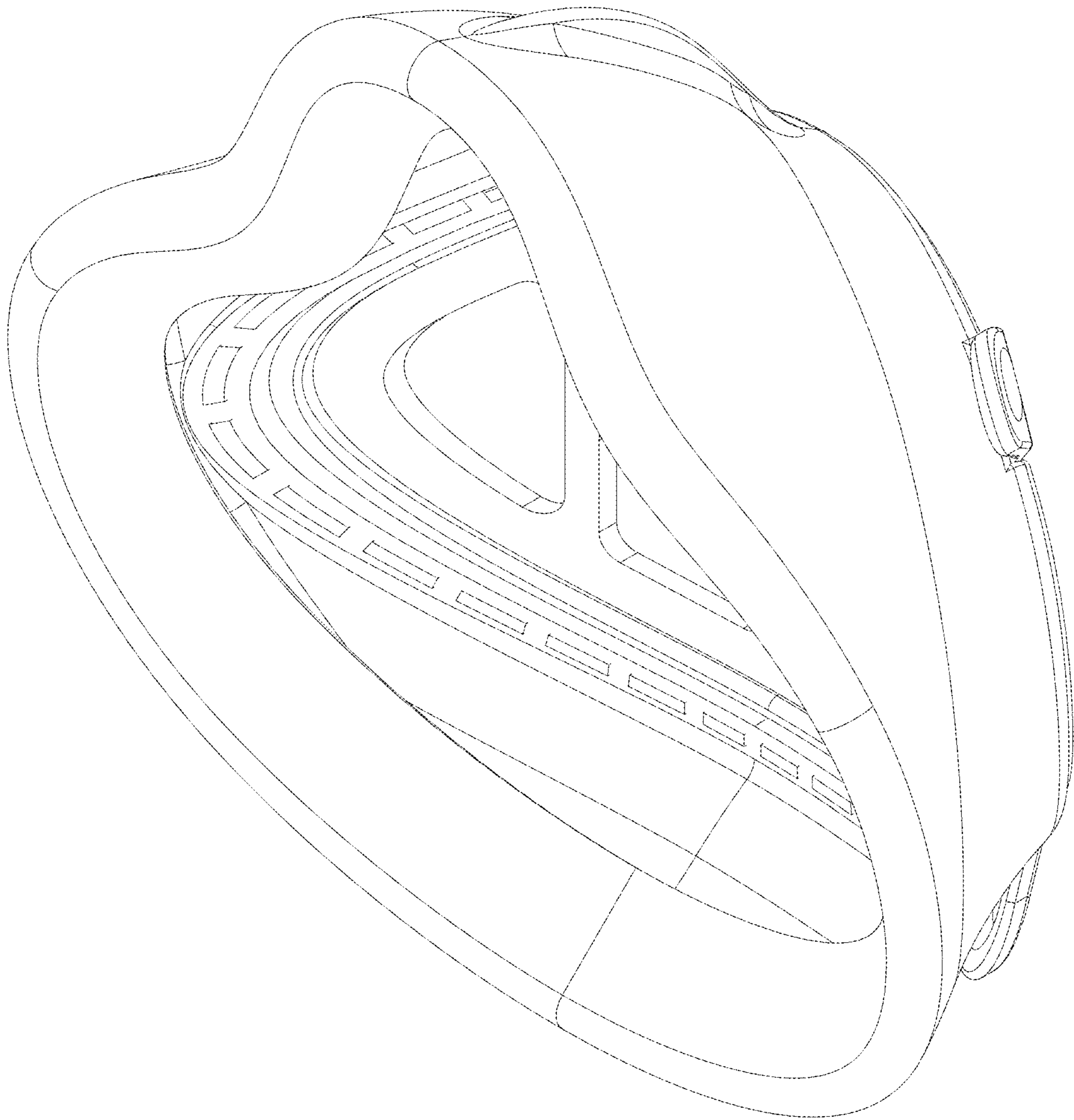


FIG. 11

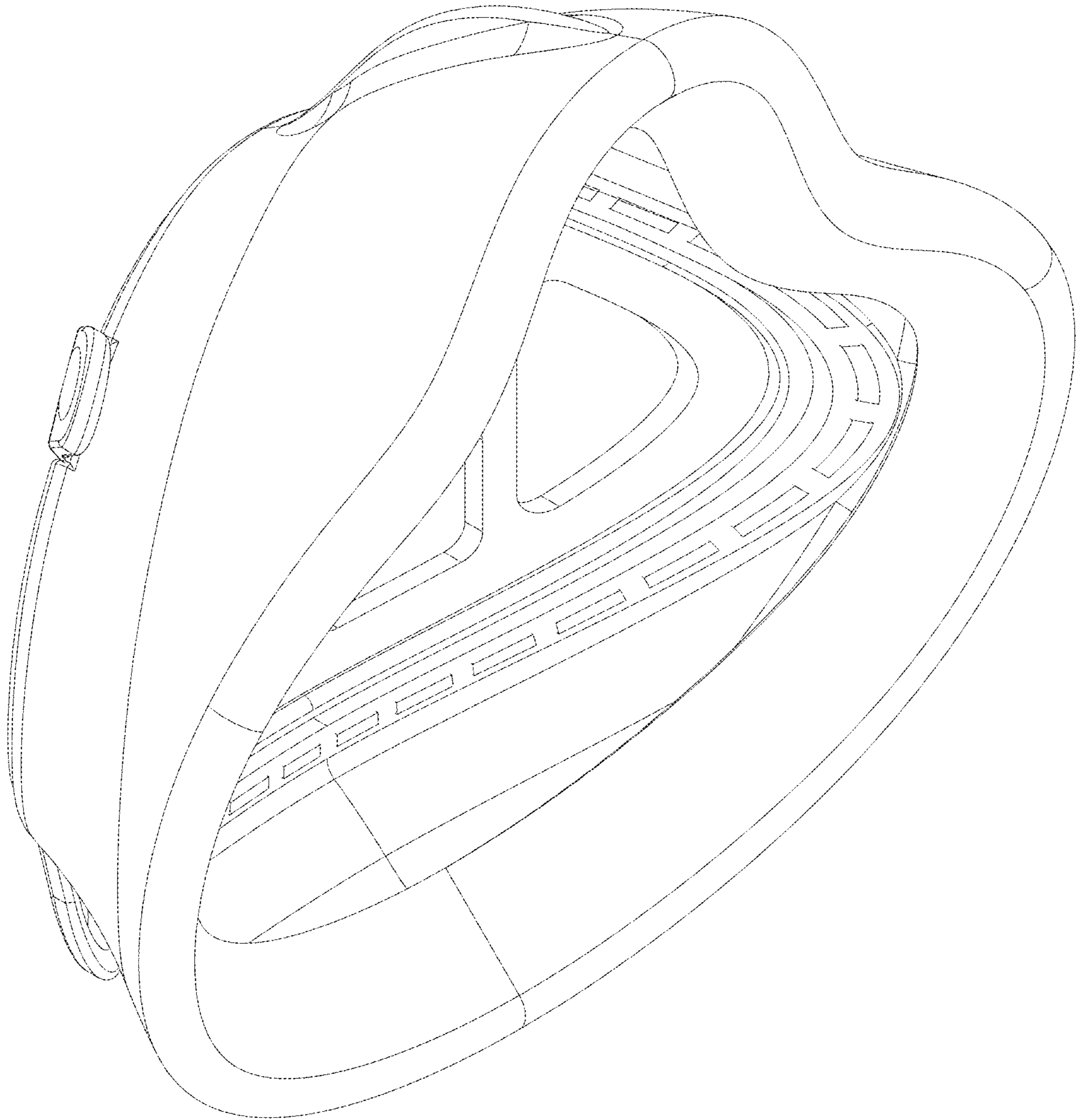


FIG. 12