



US00D943733S

(12) **United States Design Patent** (10) **Patent No.:** **US D943,733 S**
Cavatorta et al. (45) **Date of Patent:** **** Feb. 15, 2022**

(54) **EVALUATION UNIT FOR INHALERS**

(71) Applicant: **Aptar Radolfzell GmbH**, Radolfzell (DE)

(72) Inventors: **Matthieu Cavatorta**, Autouillet (FR); **Line Huchet**, Saint-Germain en Laye (FR); **Matthieu Walter**, Villepreux (FR)

(73) Assignee: **APTAR RADOLFZELL GMBH**, Radolfzell (DE)

(**) Term: **15 Years**

(21) Appl. No.: **29/737,702**

(22) Filed: **Jun. 11, 2020**

(30) **Foreign Application Priority Data**

Apr. 30, 2020 (EM) 007849666

(51) **LOC (13) Cl.** **24-02**

(52) **U.S. Cl.**
USPC **D24/110; D24/110.5**

(58) **Field of Classification Search**
USPC D24/107, 108, 110, 110.1-110.5, 127, D24/164, 190, 113; D9/448; D28/7
CPC A61M 15/0085; A61M 15/0005; A61M 11/005; A61M 11/00; A61M 11/02; A61M 11/04
See application file for complete search history.

(56) **References Cited**

U.S. PATENT DOCUMENTS

D358,880 S * 5/1995 Mulhauser D24/110
D541,654 S * 5/2007 Pietrowski D9/448
D561,890 S * 2/2008 Lithgow D24/110
D577,998 S * 10/2008 Decottignies D9/448
D583,463 S * 12/2008 Wood D24/110
D625,186 S * 10/2010 Rossignol D9/448
D659,819 S * 5/2012 Edwards D24/110

D666,909 S * 9/2012 Bloc D9/448
D678,503 S * 3/2013 Schmidt D24/108
D683,445 S * 5/2013 Inoue D24/110
D702,401 S * 4/2014 Phillips D29/108
D733,287 S * 6/2015 Bilgic D24/110
D740,948 S * 10/2015 Hamilton D24/164

(Continued)

FOREIGN PATENT DOCUMENTS

EM 007849666-0001 * 4/2020
GB 9007849666-0001 * 4/2020

OTHER PUBLICATIONS

Orbital® Dry Powder Inhaler, pharmaxis/ Aptar Radolfzell GmbH, [Postdate unknown], [Site seen Nov. 23, 2021], Seen at URL: <https://www.pharmaxis.com.au/product-pipeline/other-pipeline-assets/orbital-dry-powder-inhaler/> (Year: 2021).*

(Continued)

Primary Examiner — Natasha Vujcic

Assistant Examiner — Gilbert B Ford

(74) *Attorney, Agent, or Firm* — Flynn Thiel, P.C.

(57) **CLAIM**

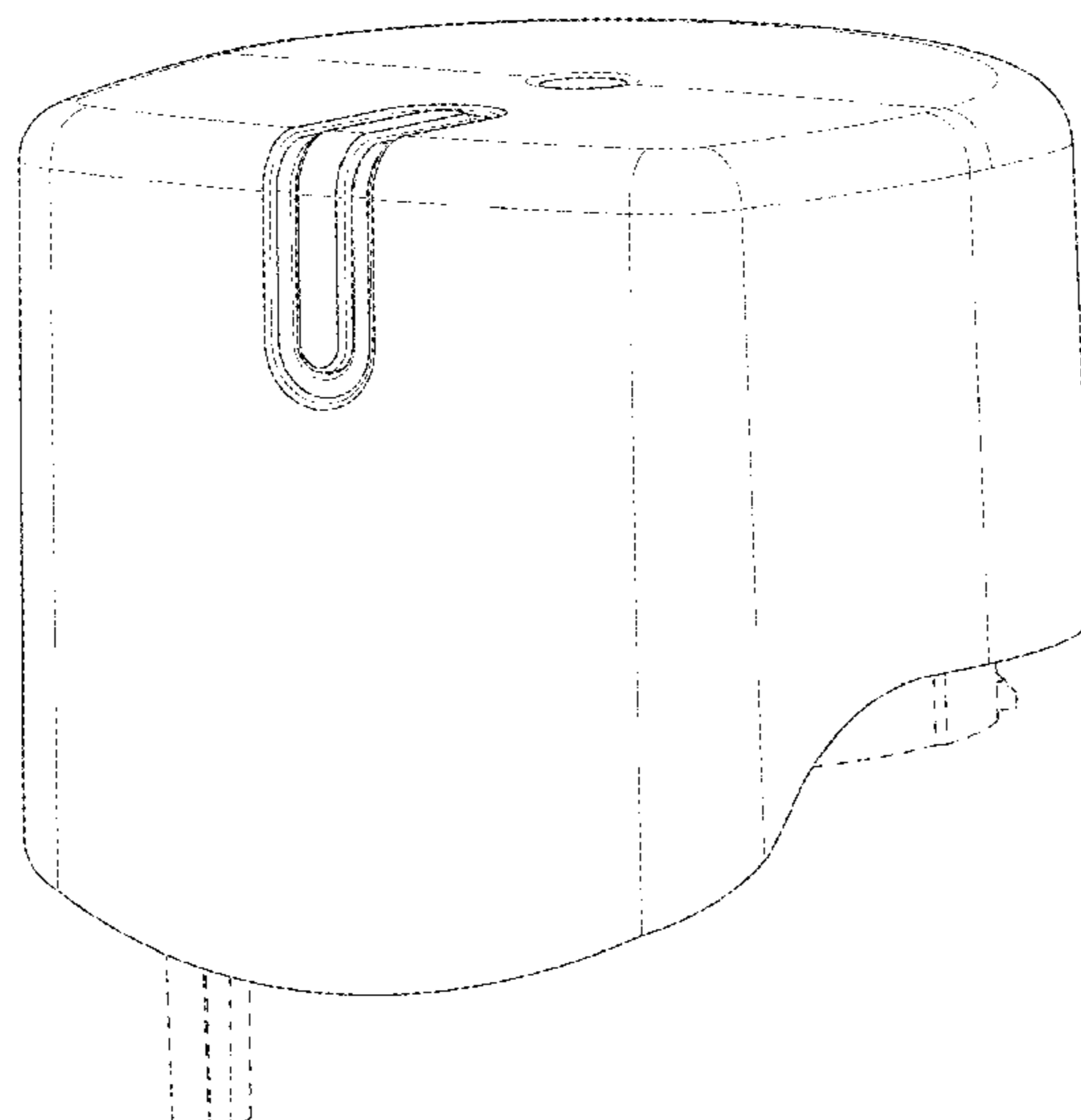
The ornamental design for an evaluation unit for inhalers, as shown and described.

DESCRIPTION

FIG. 1 is a perspective view of an evaluation unit for inhalers showing our new design;
FIG. 2 is a front view thereof;
FIG. 3 is a right side view thereof;
FIG. 4 is a rear view thereof;
FIG. 5 is a left side view thereof;
FIG. 6 is a top view thereof; and,
FIG. 7 is a bottom view thereof.

The broken lines in the drawings illustrate portions of the evaluation unit for inhalers and form no part of the claimed design.

1 Claim, 7 Drawing Sheets



(56)

References Cited

U.S. PATENT DOCUMENTS

D751,182 S * 3/2016 Huang D23/260
D765,831 S * 9/2016 Li D24/110
10,239,085 B2 * 3/2019 Paunescu B05B 17/0669
D888,931 S * 6/2020 Li D24/110
D888,932 S * 6/2020 Jung D24/110
10,835,694 B2 * 11/2020 Lastow A61M 15/0065
D909,670 S * 2/2021 Li D27/162
10,953,164 B2 * 3/2021 McGuckin A61M 15/0085
D930,473 S * 9/2021 Righi D9/448
2015/0014434 A1 * 1/2015 Fedorov B05B 9/0838
239/102.2

OTHER PUBLICATIONS

U.S. Appl. No. 29/734,519, filed May 13, 2020.

* cited by examiner

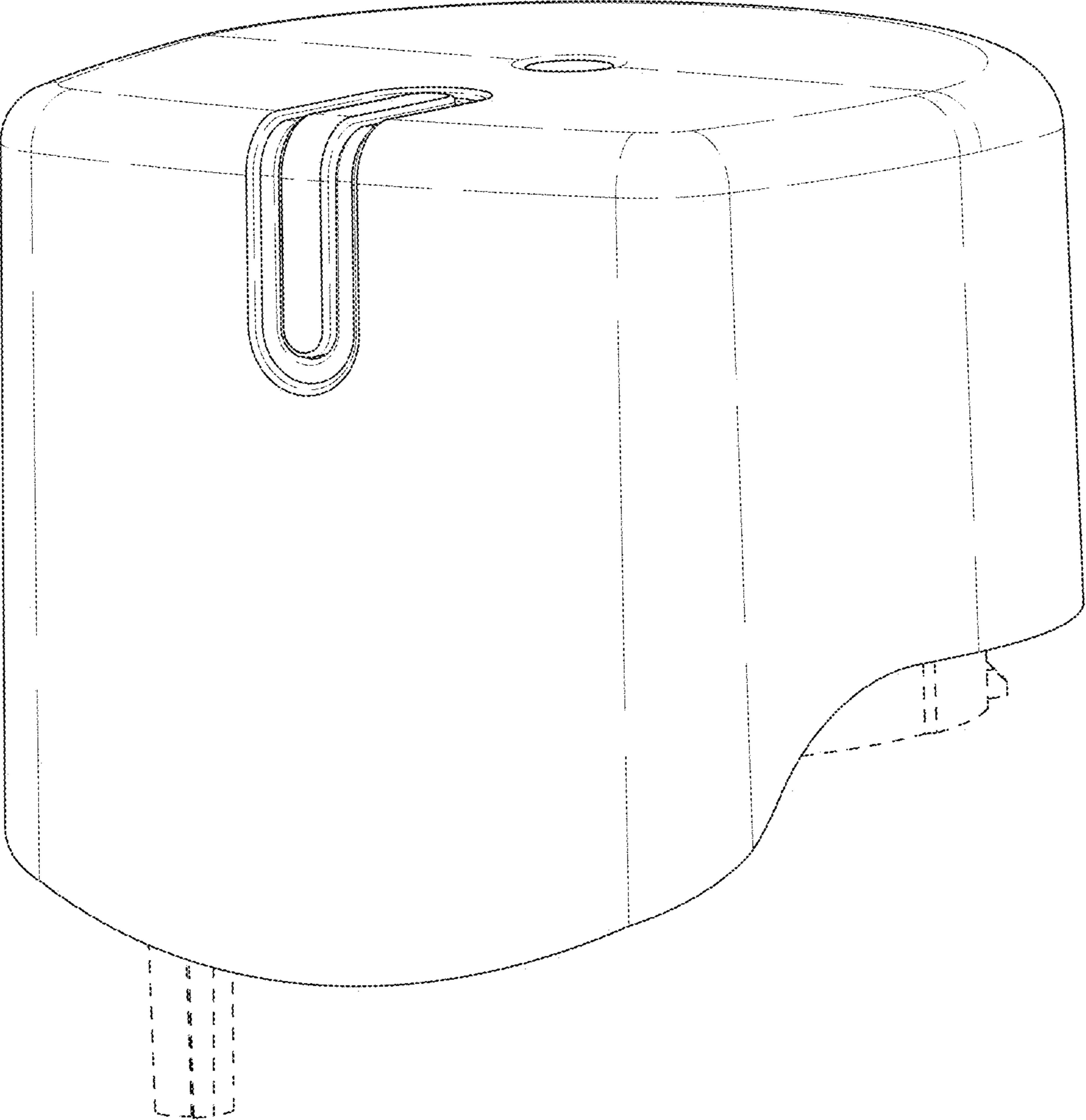


FIG. 1

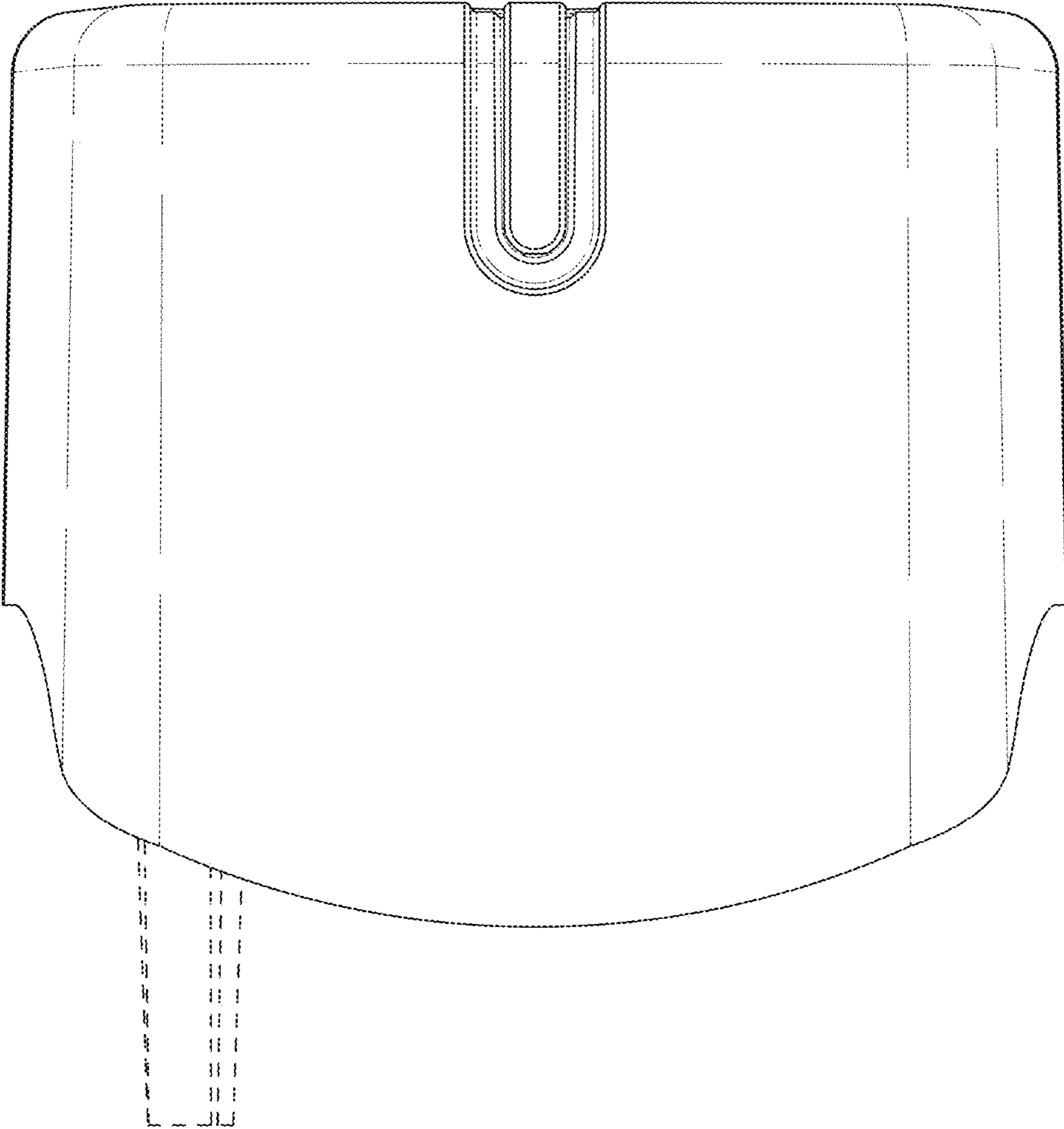


FIG. 2

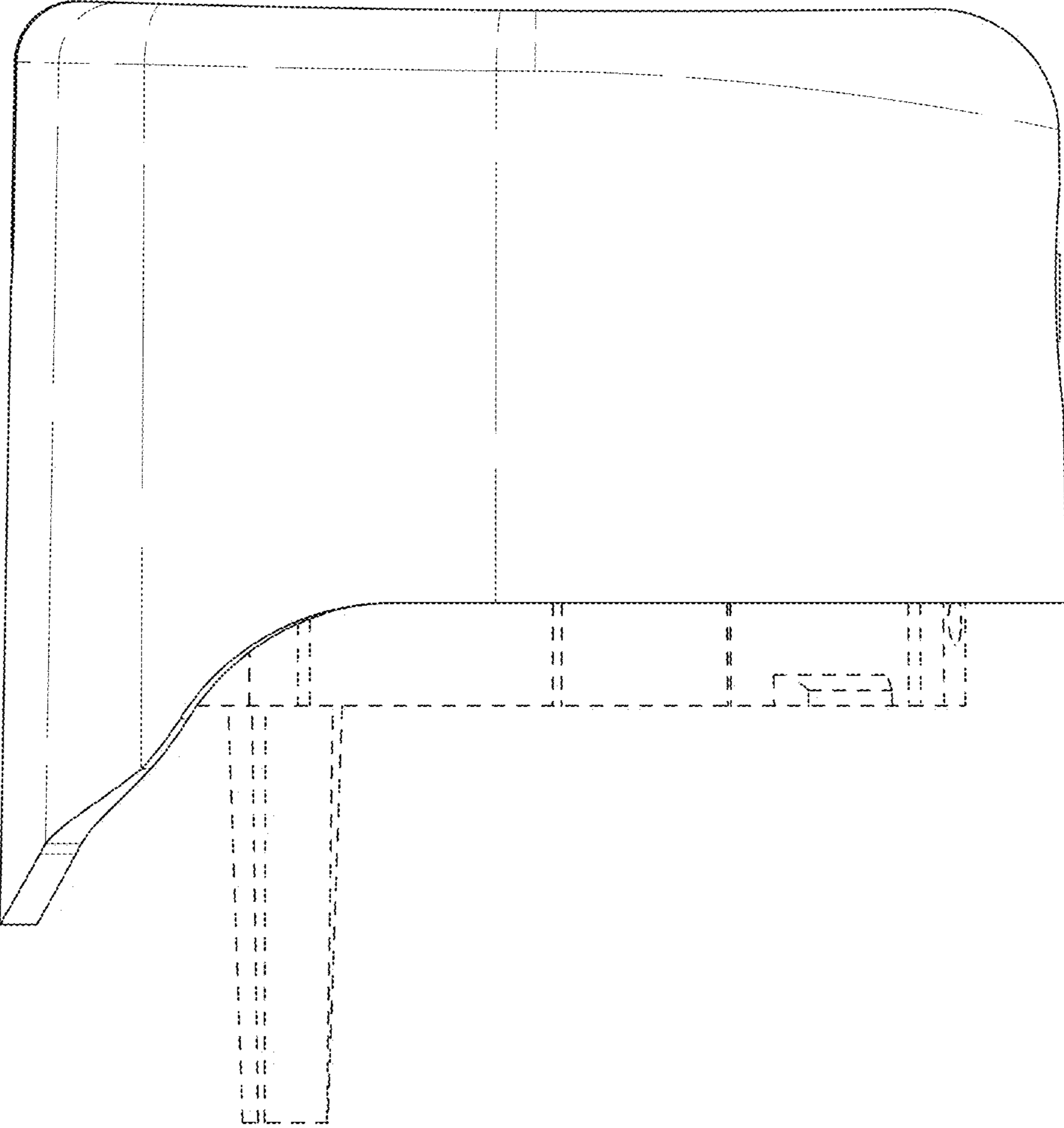


FIG. 3

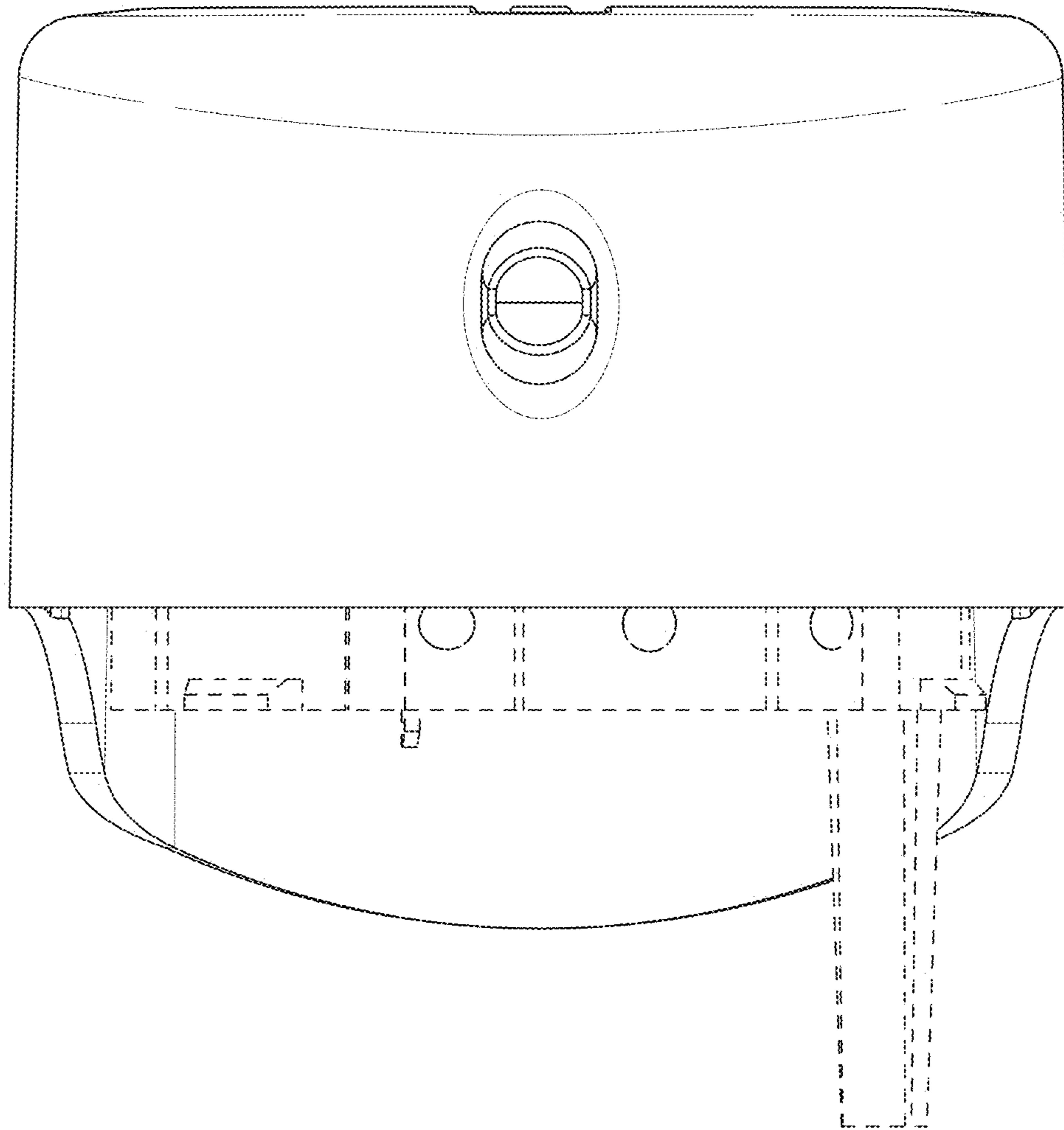


FIG. 4

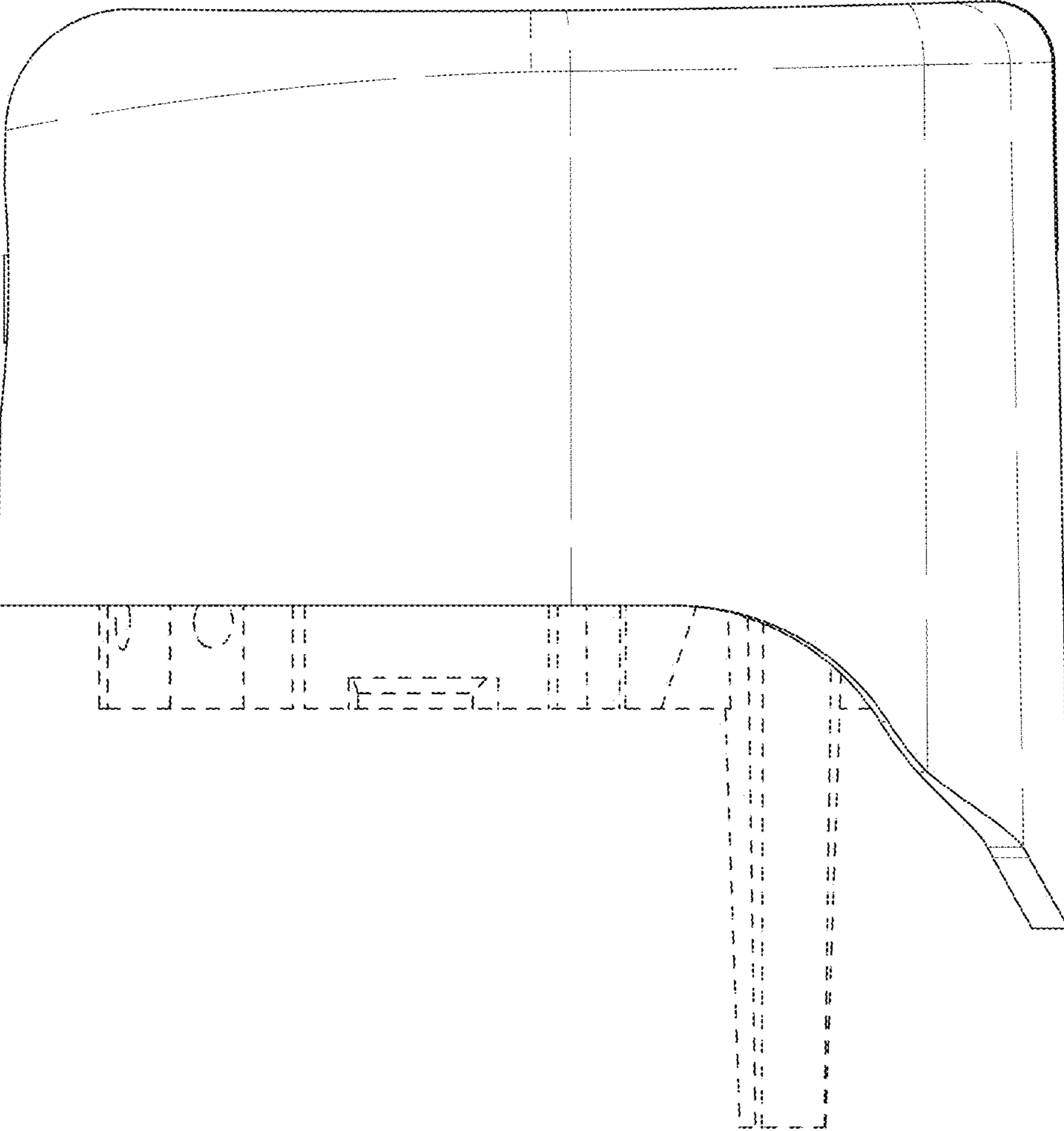


FIG. 5

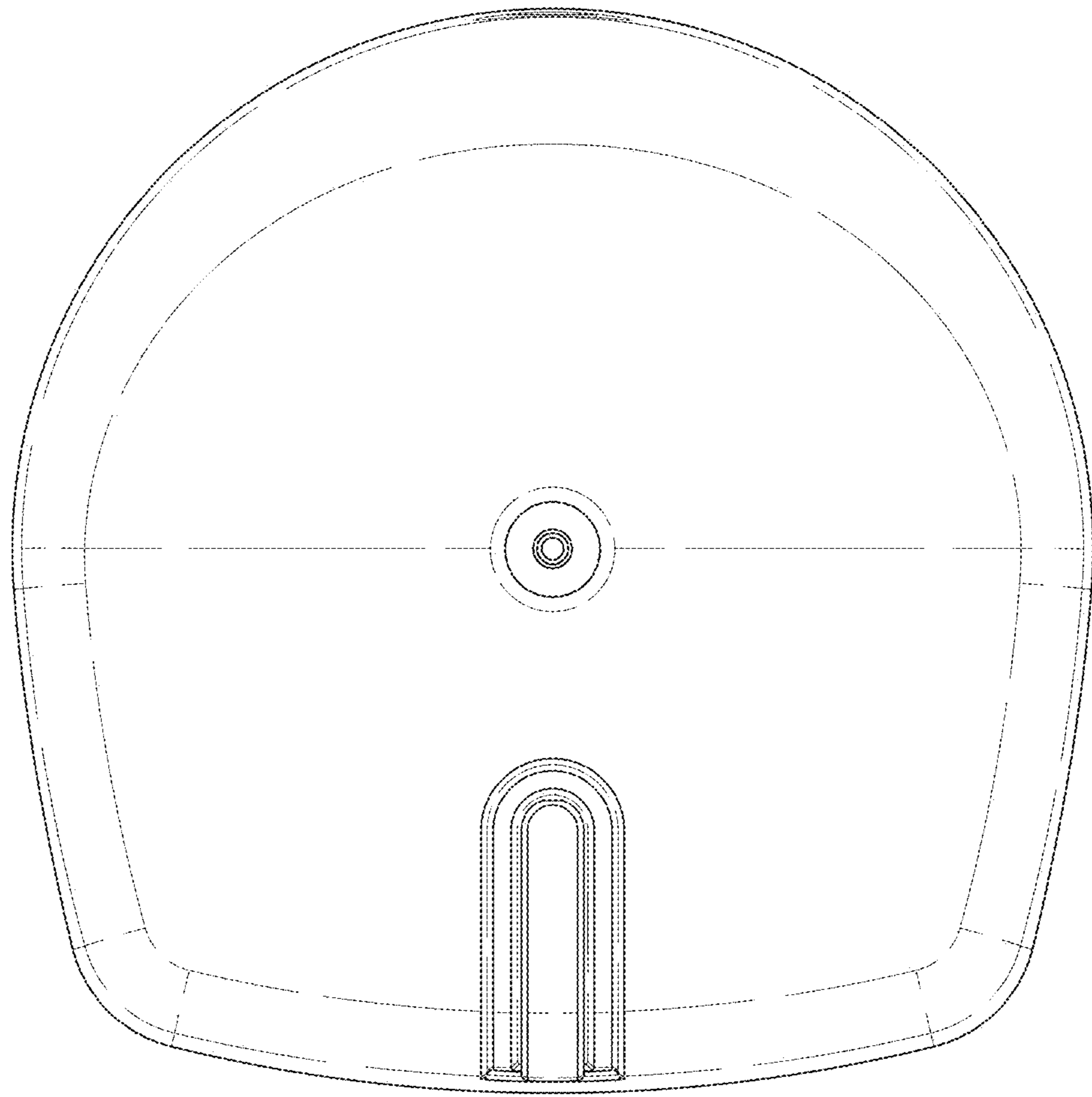


FIG. 6

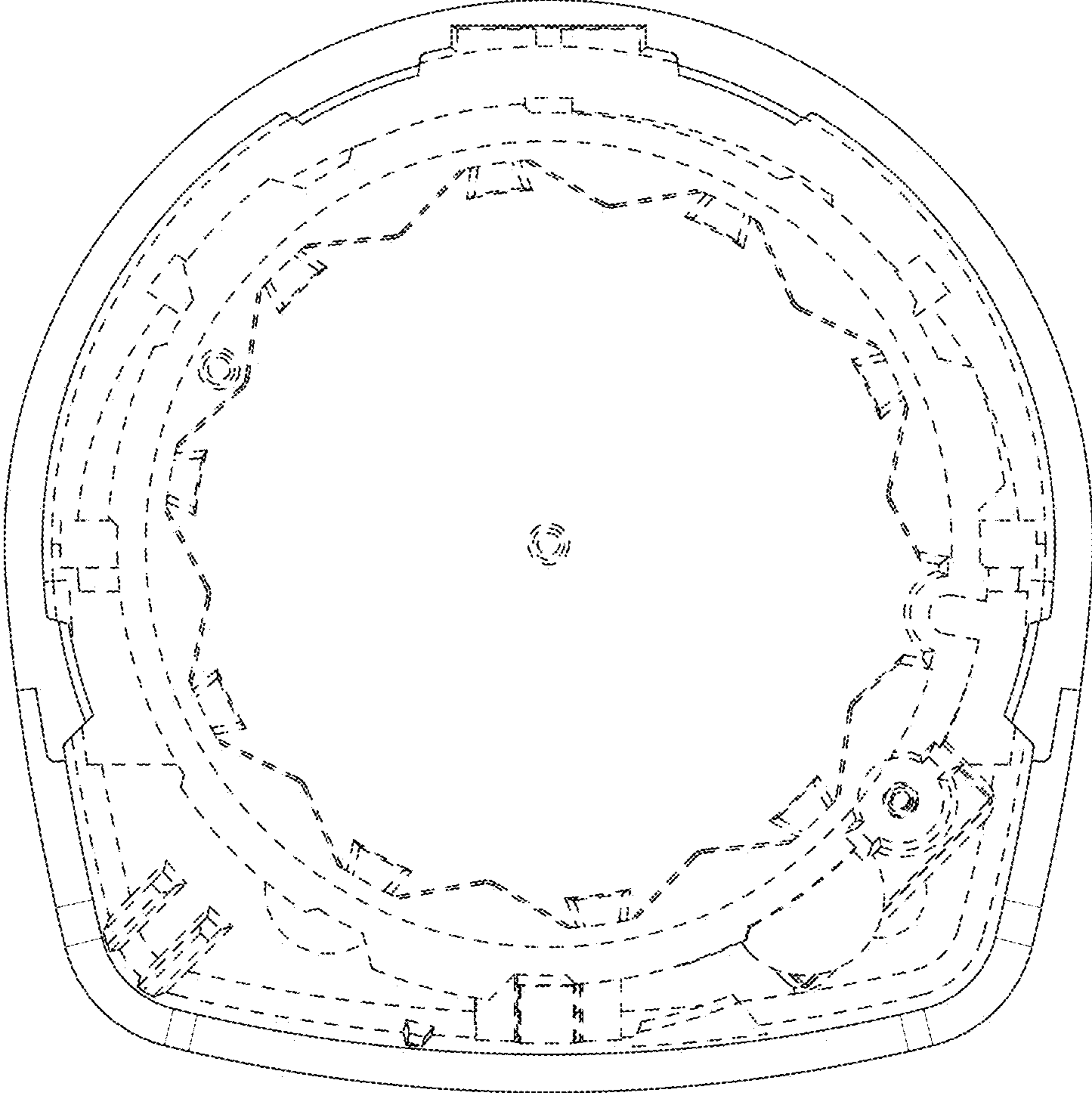


FIG. 7