



US00D943731S

(12) **United States Design Patent**
Holmes Bradley

(10) **Patent No.:** **US D943,731 S**

(45) **Date of Patent:** **** Feb. 15, 2022**

(54) **COMBINATION CEILING FAN MOTOR HOUSING AND LIGHT KIT**

(71) Applicant: **Hunter Fan Company**, Memphis, TN (US)

(72) Inventor: **Christine Marie Holmes Bradley**, Memphis, TN (US)

(73) Assignee: **Hunter Fan Company**, Memphis, TN (US)

(**) Term: **15 Years**

(21) Appl. No.: **29/741,198**

(22) Filed: **Jul. 10, 2020**

Related U.S. Application Data

(63) Continuation of application No. 29/644,594, filed on Apr. 19, 2018, now Pat. No. Des. 893,012.

(51) **LOC (13) Cl.** **23-03**

(52) **U.S. Cl.**
USPC **D23/411**; D26/59; D23/377

(58) **Field of Classification Search**
USPC D23/370, 377, 379, 385, 411, 413;
D26/59

CPC F04D 25/088; F04D 29/38; F04D 29/384;
F04D 29/386; F21V 33/0096

See application file for complete search history.

(56) **References Cited**

U.S. PATENT DOCUMENTS

D377,975 S *	2/1997	Young	D23/377
D485,347 S *	1/2004	Bucher	D23/377
D523,951 S	6/2006	Pickett		
D547,433 S	7/2007	Wang		
D594,541 S *	6/2009	Pan	D23/377
D594,543 S	6/2009	Pan		

D594,957 S	6/2009	Pickett		
D620,581 S	7/2010	Chen		
D627,870 S	11/2010	Wang		
D628,286 S	11/2010	Yang		
D648,843 S	11/2011	Chen		
D671,202 S	11/2012	Searle		
D707,807 S	6/2014	Pan		
D714,925 S	10/2014	Pan		
D715,919 S	10/2014	Pan		
D743,526 S *	11/2015	Shurtleff	D23/411
D804,632 S	12/2017	Holmes		
D804,634 S	12/2017	Holmes		
D810,912 S	2/2018	McRoberts		
D810,914 S	2/2018	Badarello et al.		
D810,916 S	2/2018	Holmes et al.		
D827,805 S	9/2018	Biancuzzo		
D827,806 S	9/2018	Biancuzzo		
D834,173 S	11/2018	Holmes		

(Continued)

Primary Examiner — Sharon S Oum

(74) *Attorney, Agent, or Firm* — McGarry Bair PC

(57) **CLAIM**

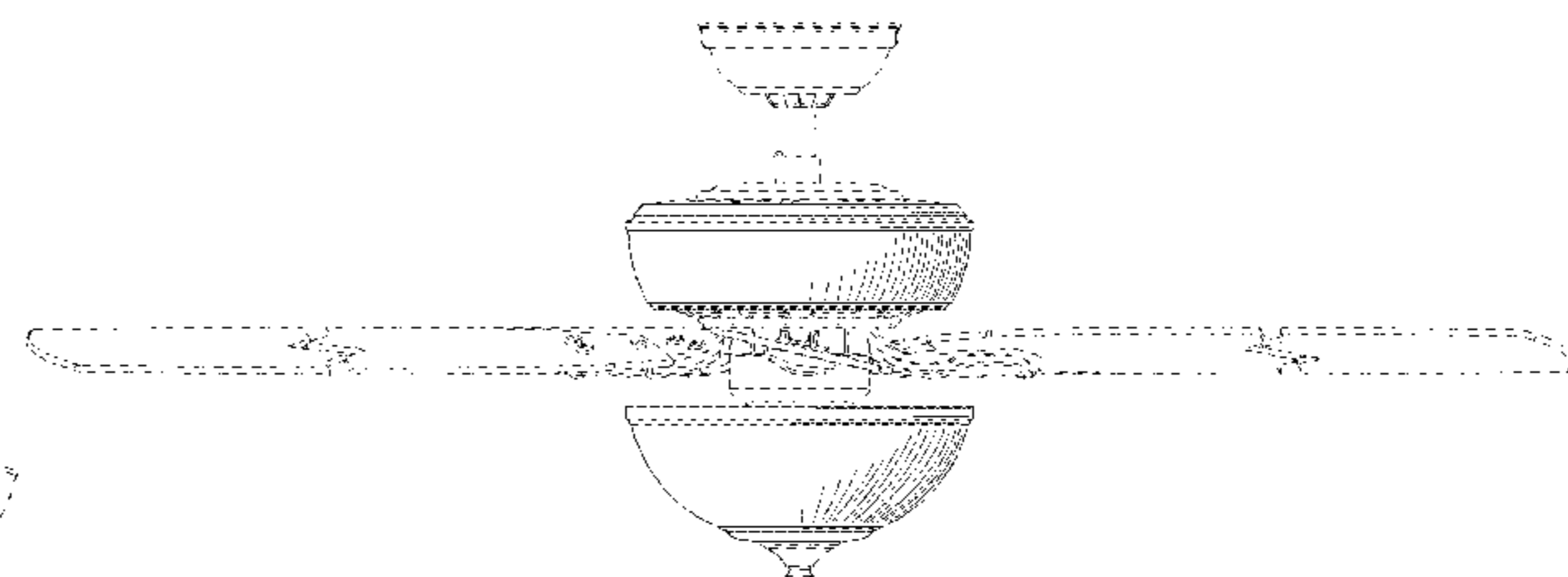
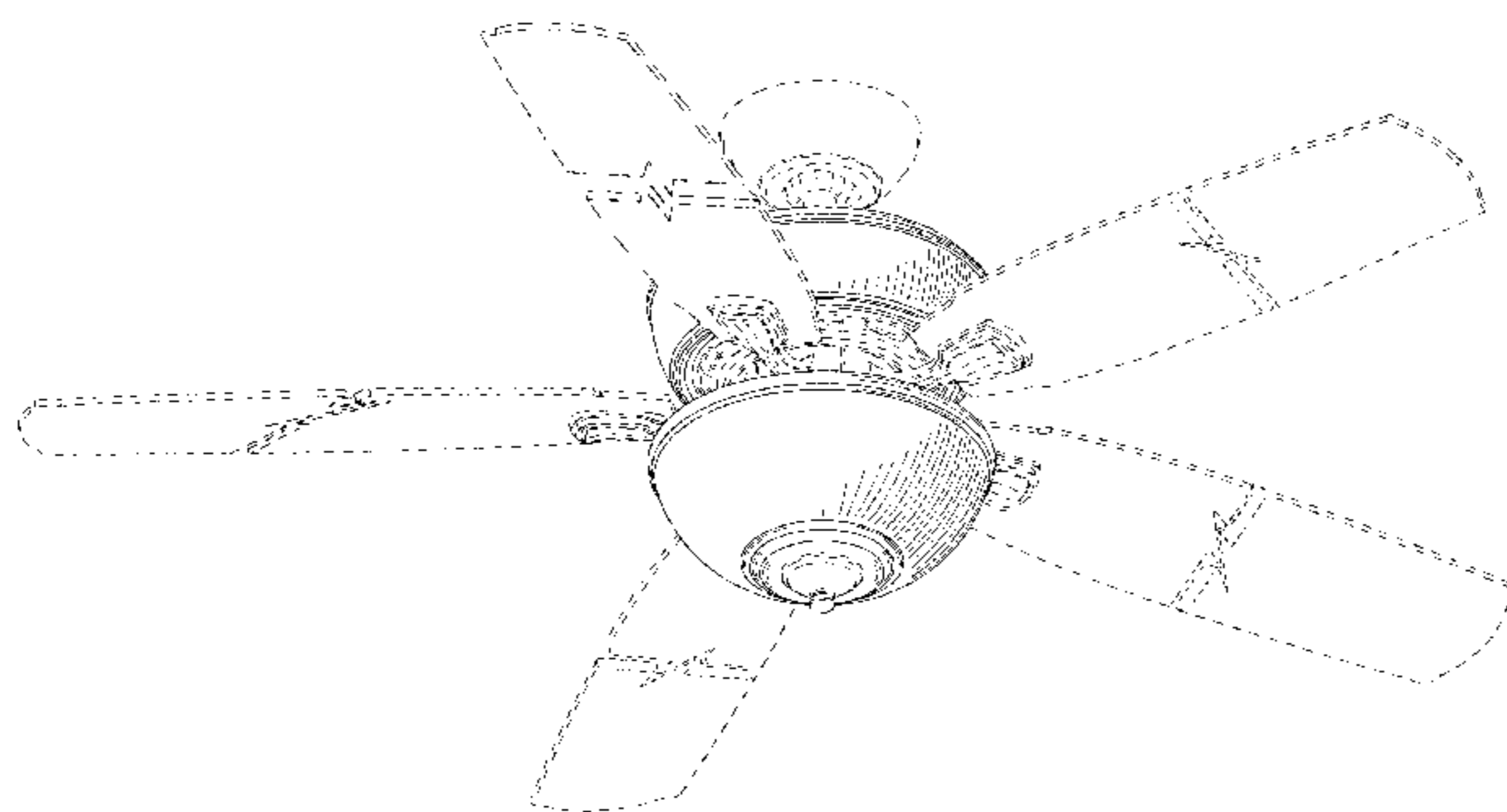
The ornamental design for a combination ceiling fan motor housing and light kit, as shown and described.

DESCRIPTION

FIG. 1 is a top perspective view of a combination ceiling fan motor housing and light kit, shown in the environment of a ceiling fan, showing my new design;
FIG. 2 is a bottom perspective view thereof;
FIG. 3 is a top view thereof;
FIG. 4 is a bottom view thereof;
FIG. 5 is a front view thereof;
FIG. 6 is a rear view thereof;
FIG. 7 is a left side view thereof; and,
FIG. 8 is a right side view thereof.

Portions of the ceiling fan environment and the combination ceiling fan motor housing and light kit shown in broken lines form no part of the claimed design.

1 Claim, 8 Drawing Sheets



(56)

References Cited

U.S. PATENT DOCUMENTS

D872,849 S	1/2020	Holmes	
D878,541 S	3/2020	Holmes et al.	
D893,012 S *	8/2020	Holmes Bradley	D23/377
D894,365 S *	8/2020	Passauer, III	D23/377
2006/0274538 A1 *	12/2006	Bacon	F21V 17/12 362/433
2017/0045197 A1	2/2017	Rossi	

* cited by examiner

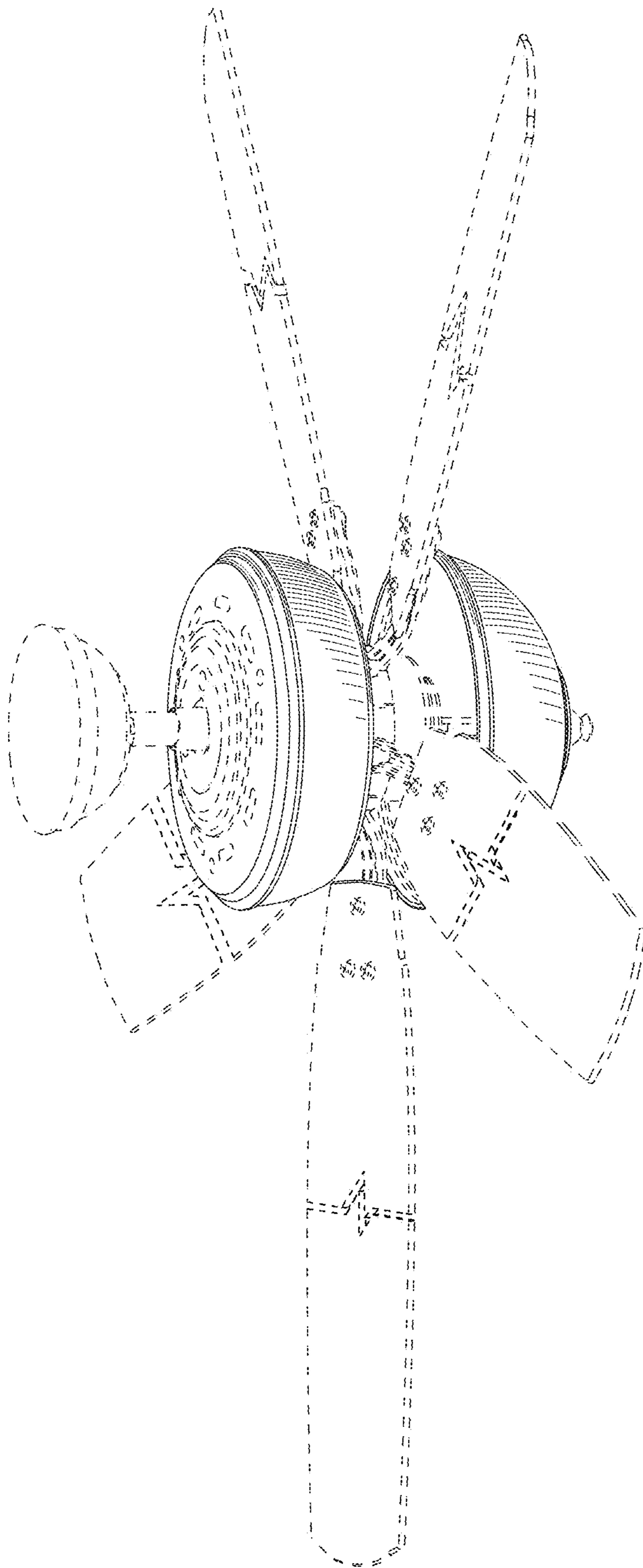


FIG. 1

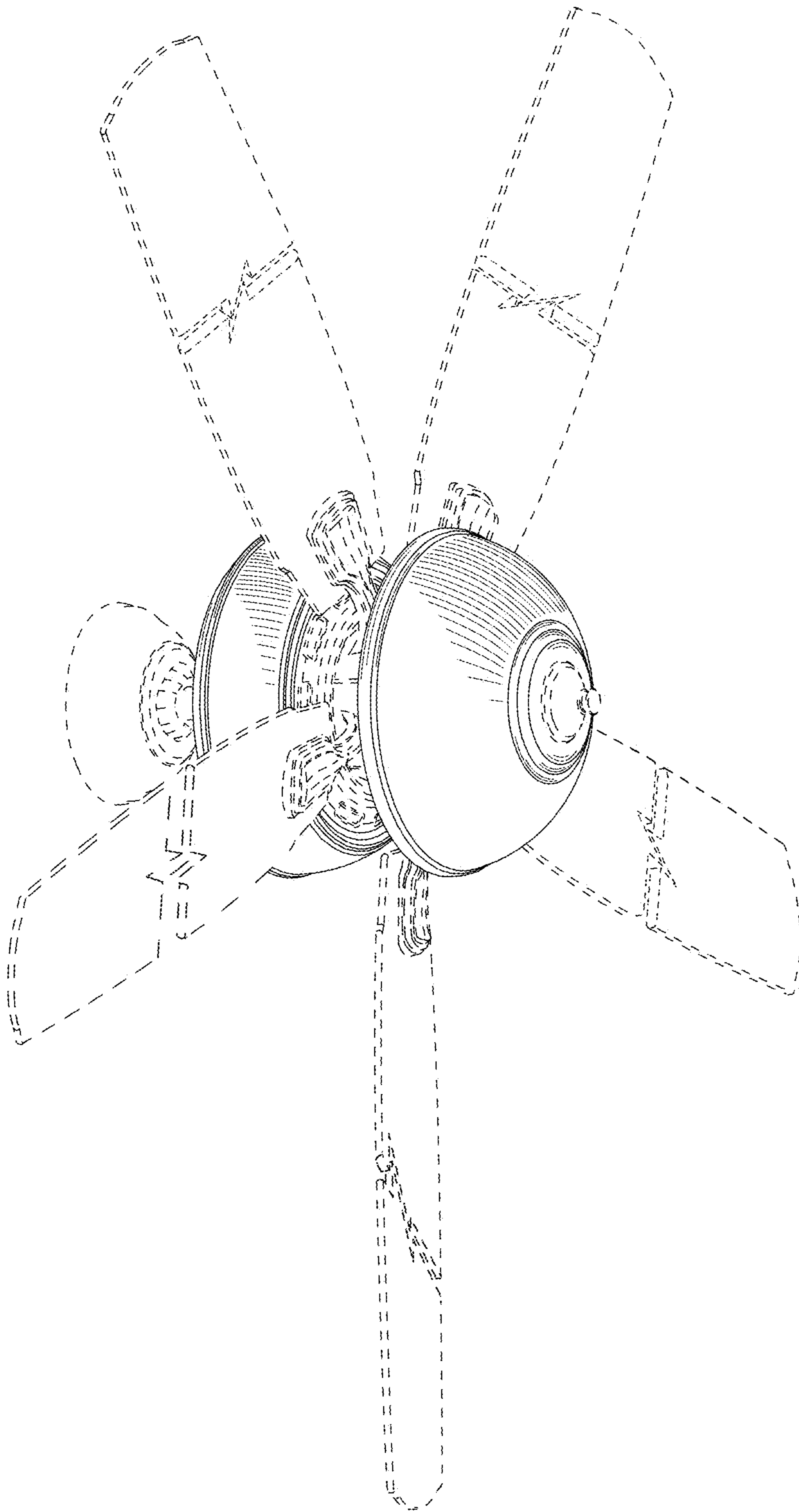


FIG. 2

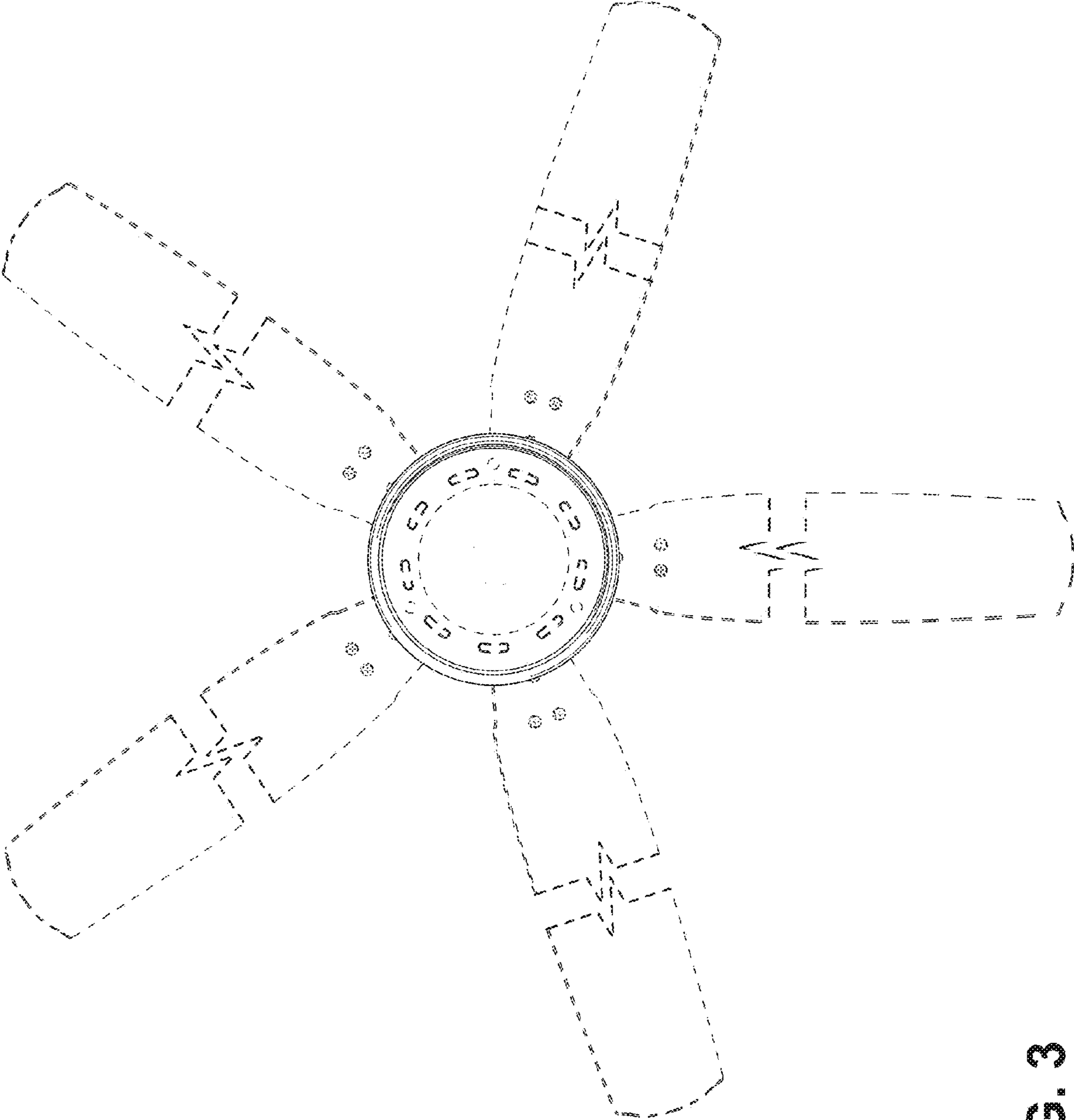


FIG. 3

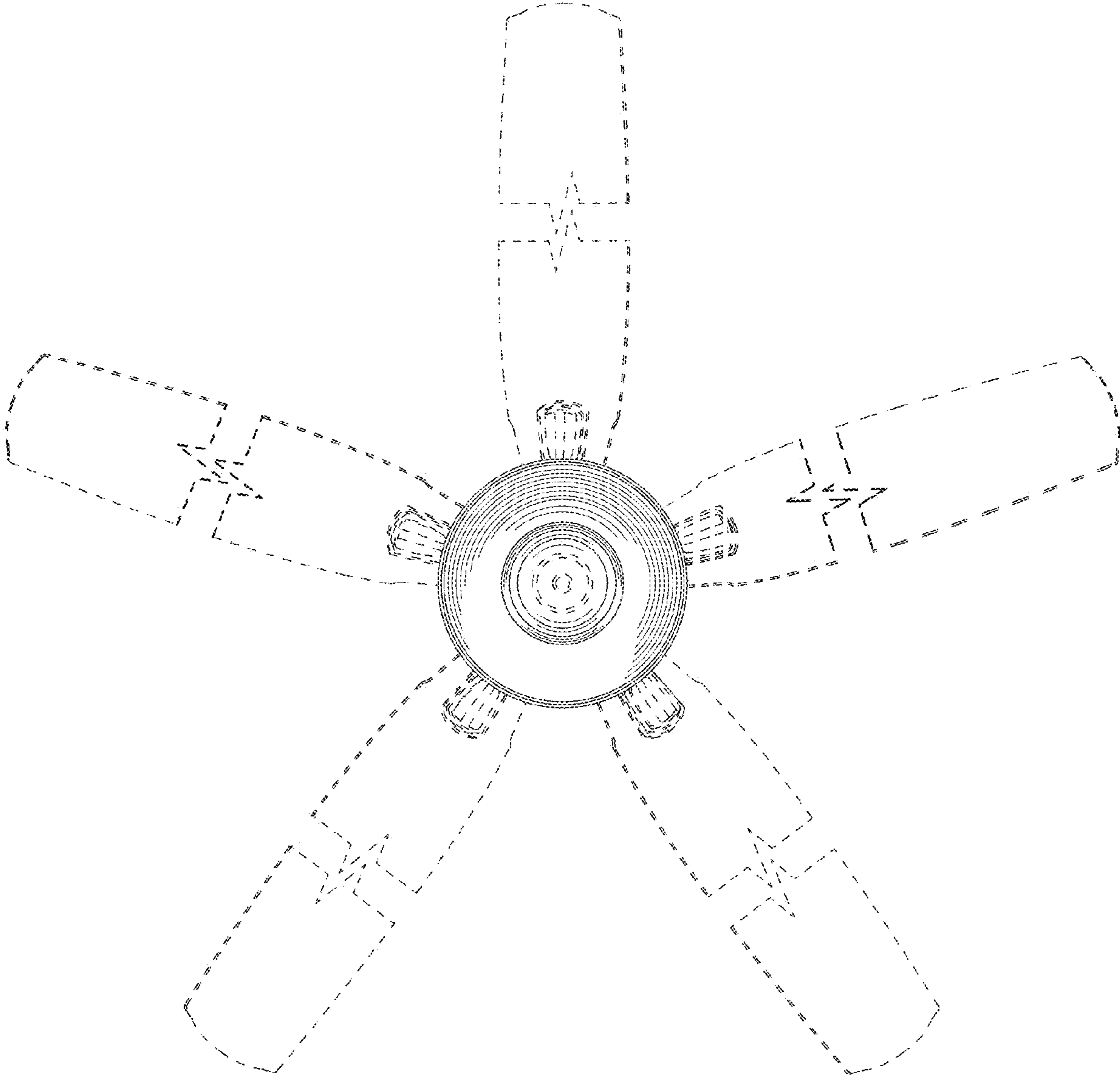


FIG. 4

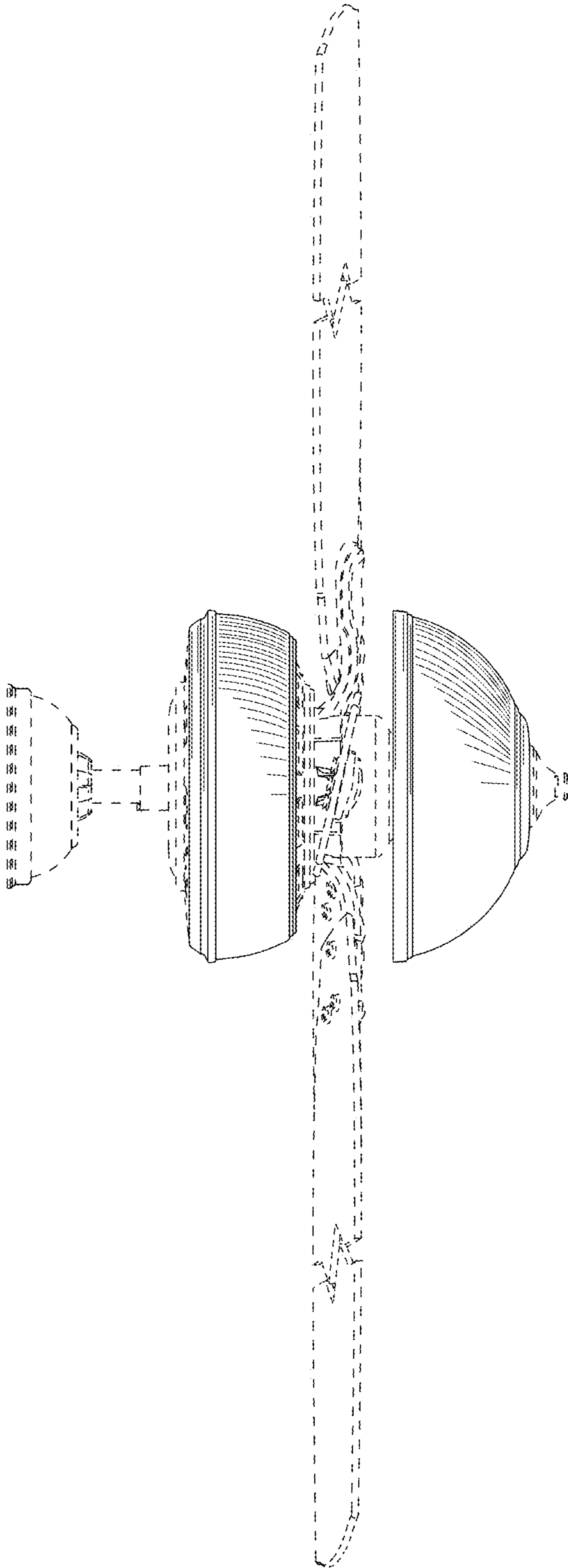


FIG. 5

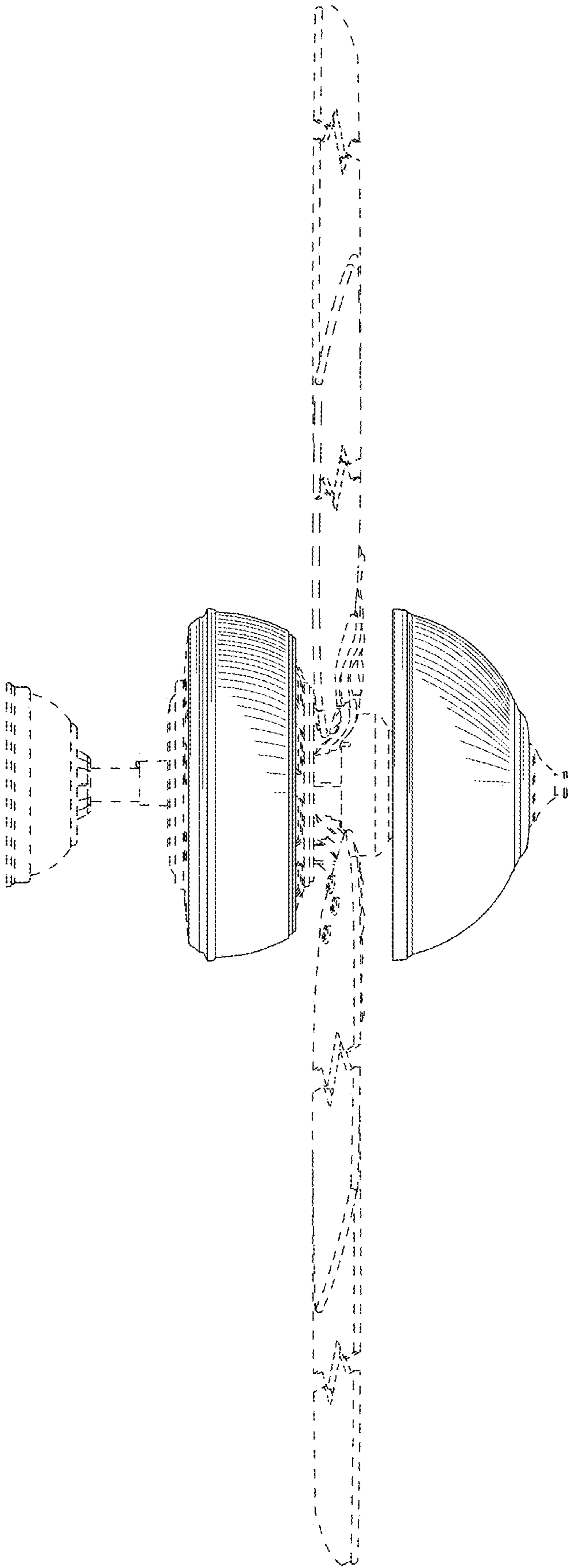


FIG. 6

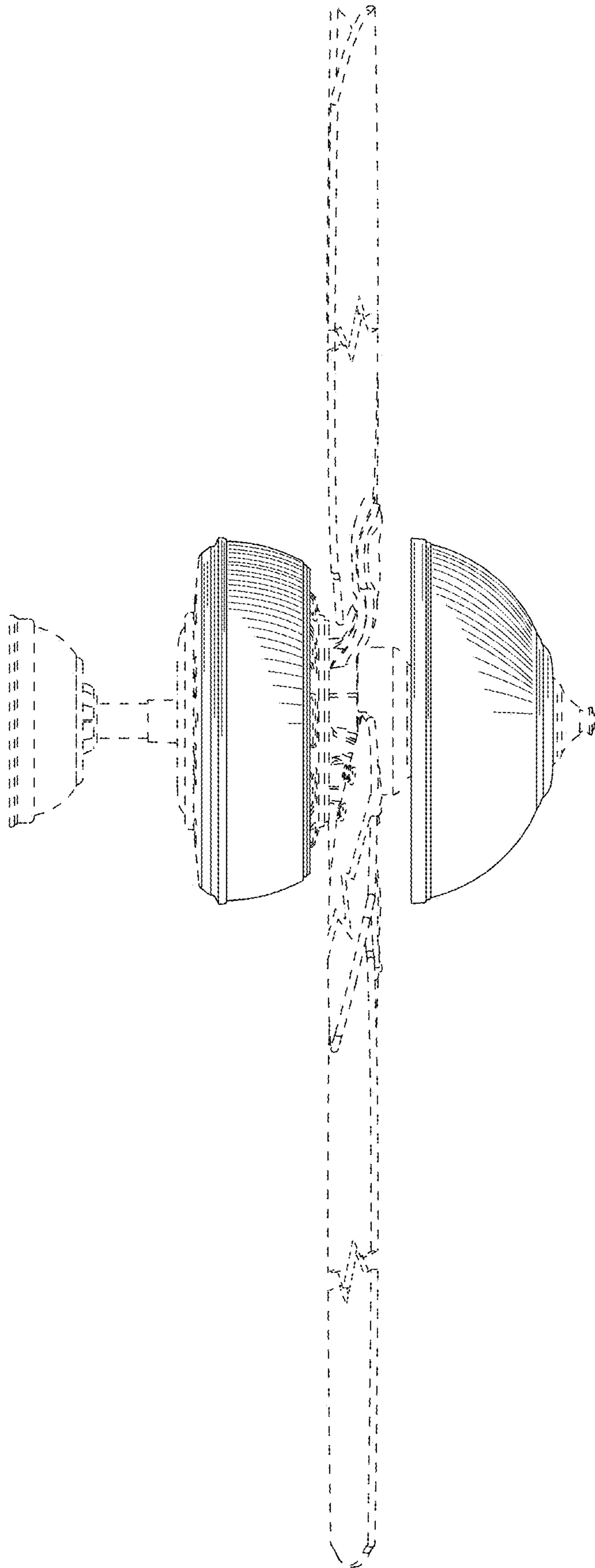


FIG. 7

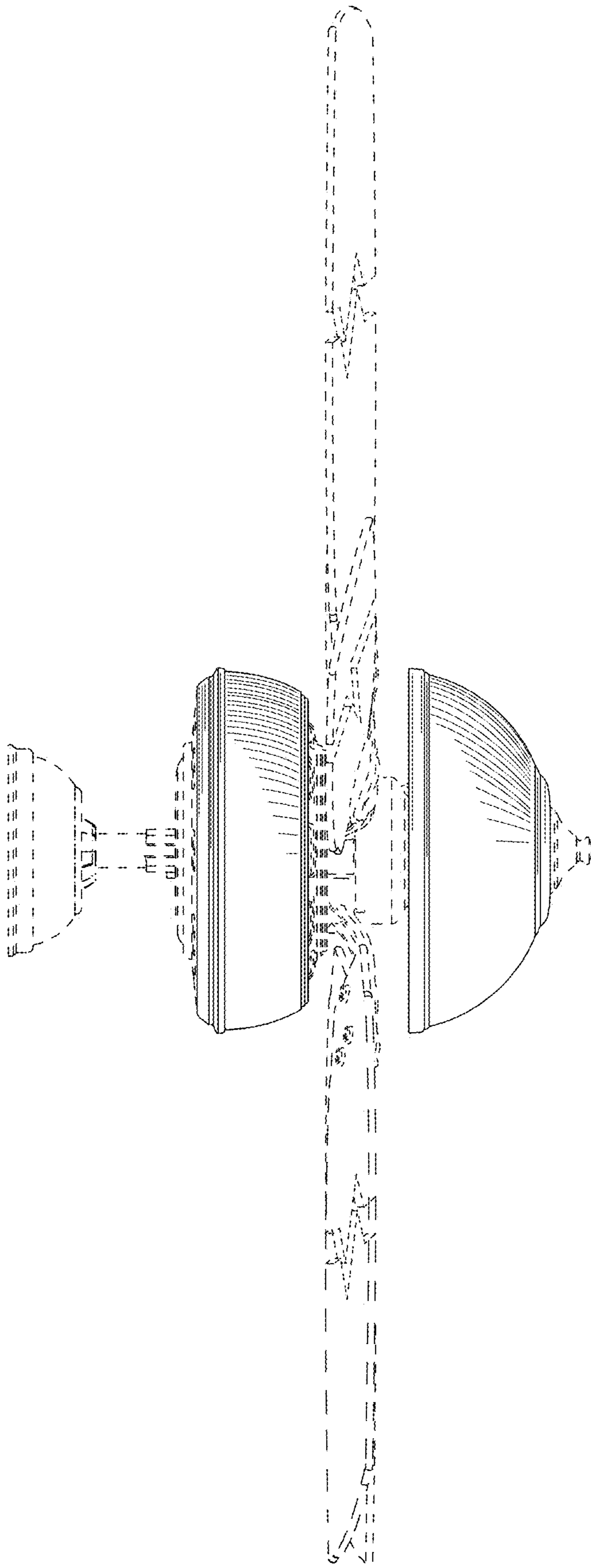


FIG. 8