



US00D943728S

(12) **United States Design Patent**
McRoberts

(10) **Patent No.:** **US D943,728 S**

(45) **Date of Patent:** **** Feb. 15, 2022**

(54) **CEILING FAN**

(71) Applicant: **Hunter Fan Company**, Memphis, TN (US)

(72) Inventor: **Claire Bernice McRoberts**, Memphis, TN (US)

(73) Assignee: **Hunter Fan Company**, Memphis, TN (US)

(**) Term: **15 Years**

(21) Appl. No.: **29/686,236**

(22) Filed: **Apr. 3, 2019**

(51) **LOC (13) Cl.** **23-04**

(52) **U.S. Cl.**
USPC **D23/377**

(58) **Field of Classification Search**
USPC D23/370, 377, 379, 385, 411, 413;
D26/59; D12/214, 339, 344
CPC F04D 25/088; F04D 29/38; F04D 29/384;
F04D 29/386; F21V 33/0096
See application file for complete search history.

(56) **References Cited**

U.S. PATENT DOCUMENTS

D314,618 S	2/1991	Yen	
D377,975 S	2/1997	Young	
D383,529 S	9/1997	Tsuji	
D404,122 S *	1/1999	Hayashi D23/370
D476,411 S	6/2003	Friedes	
D528,645 S *	9/2006	Young D23/377
D584,810 S	1/2009	Pickett	
D627,874 S	11/2010	Pan	
D679,797 S	4/2013	Chen	
D704,822 S *	5/2014	Wang D23/411
D706,406 S	6/2014	Wang	
D707,336 S	6/2014	Pan	
D732,157 S	6/2015	Lin et al.	
D744,083 S	11/2015	Wang	
D744,084 S	11/2015	Wang	

D744,634 S	12/2015	Wang
D745,658 S	12/2015	Wang
D759,799 S	6/2016	Wang
D771,794 S	11/2016	Wang

(Continued)

OTHER PUBLICATIONS

<https://www.homedepot.com/p/Hampton-Bay-Devereaux-II-52-in-Indoor-Oil-Rubbed-Bronze-Ceiling-Fan-with-Light-Kit-and-Remote-Control-AL685-ORB/203244862>, Hampton Bay Devereaux II 52 in. Indoor Oil-Rubbed Bronze Ceiling Fan with Light Kit and Remote Control, Model No. AL685-ORB, accessed Apr. 24, 2018.

(Continued)

Primary Examiner — Sharon S Oum

(74) *Attorney, Agent, or Firm* — McGarry Bair PC

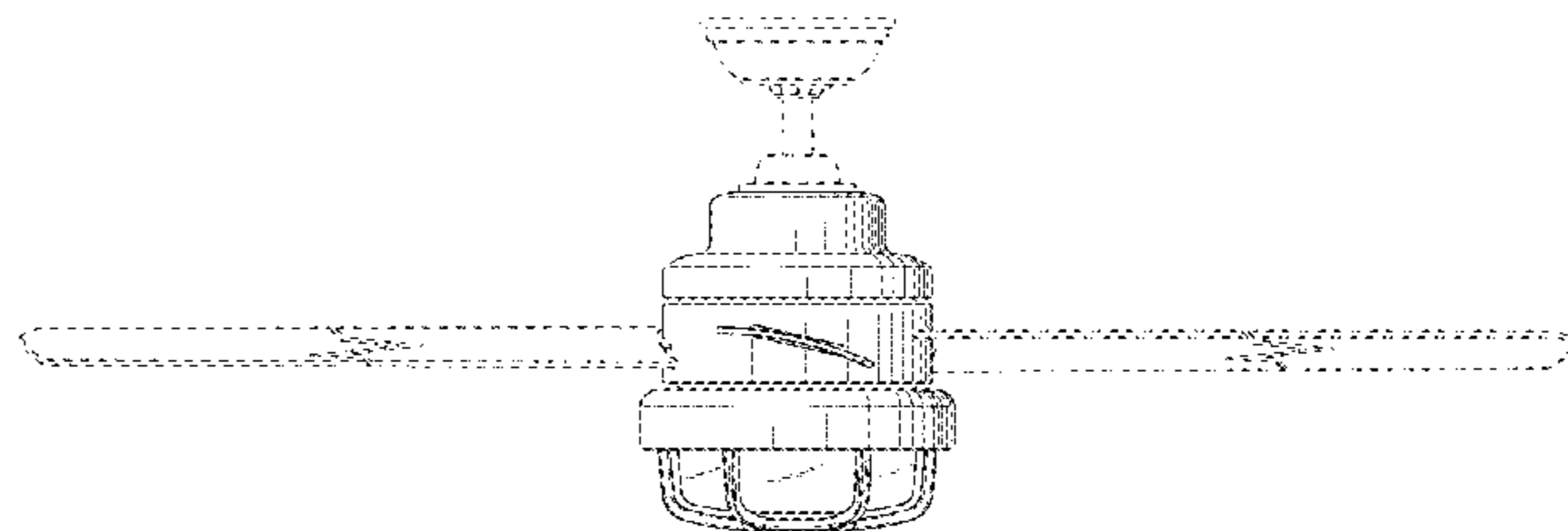
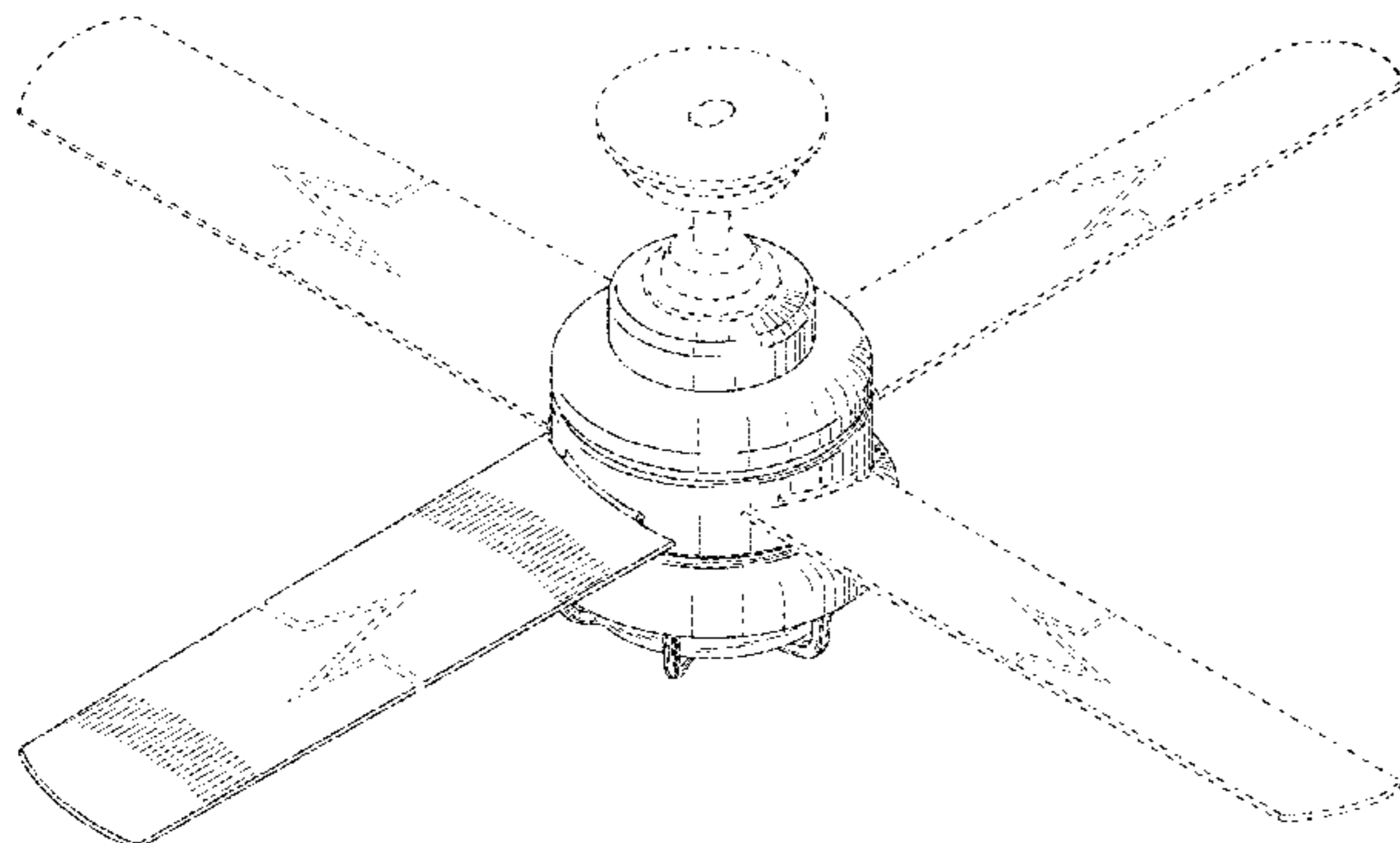
(57) **CLAIM**

The ornamental design for a ceiling fan, as shown and described.

DESCRIPTION

FIG. 1 is a top perspective view of a ceiling fan, showing my new design;
FIG. 2 is a top view thereof;
FIG. 3 is a bottom view thereof;
FIG. 4 is a front view thereof;
FIG. 5 is a side view thereof;
FIG. 6 is another side view thereof;
FIG. 7 is a right-side view thereof; and,
FIG. 8 is an enlarged view of a portion of the bottom view of FIG. 3, shown separately for a completeness of illustration.
Portions of the ceiling fan shown in broken line form no part of the claimed design. The ceiling fan blades are shown with a symbolic break in their length. The appearance of any portion of the ceiling fan blades between the break lines forms no part of the claimed design.

1 Claim, 8 Drawing Sheets



(56)

References Cited

U.S. PATENT DOCUMENTS

D782,644 S	3/2017	Wang	
D783,796 S	4/2017	Badarello et al.	
D799,020 S	10/2017	Guthrie	
D800,288 S	10/2017	Jones	
D804,635 S *	12/2017	Holmes	D23/377
D806,852 S	1/2018	Holmes	
D808,002 S *	1/2018	Holmes	D23/377
D810,917 S	2/2018	Holmes	
D810,918 S	2/2018	Holmes	
D814,011 S	3/2018	McRoberts et al.	
D821,009 S *	6/2018	Holmes	D26/59
D821,010 S *	6/2018	Holmes	D26/59
D825,086 S *	8/2018	Holmes	D26/59
D875,288 S *	2/2020	Holmes	D26/59
D878,652 S *	3/2020	McRoberts	D26/59
D890,911 S *	7/2020	Holmes	D23/377
D894,458 S *	8/2020	Holmes	D26/59
D923,770 S *	6/2021	Holmes	D23/377

OTHER PUBLICATIONS

<https://www.hunterfan.com/ceiling-fans/wingate-with-light-52-inch-fam802>, Hunter Fan Wingate 52 inch with Light, Model No. 59439, accessed Jun. 24, 2018.

<https://www.hunterfan.com/ceiling-fans/dempsey-52-inch-fam704>, Hunter Fan Dempsey 52 Inch, Model No. 59249, accessed Jun. 24, 2018.

<https://www.homedepot.com/p/Hampton-Bay-Sussex-II-52-in-Indoor-Brushed-Nickel-Ceiling-Fan-with-Light-Kit-and-Remote-Control-AL694-BN/203244867>, Hampton Bay Sussex II 52 in. Indoor Brushed Nickel Ceiling Fan with Light Kit and Remote Control, Model No. AL694BN, accessed Jun. 24, 2018.

<https://www.hunterfan.com/ceiling-fans/exeter-with-led-light-54-inch-fam800>, Hunter Fan Exeter 54 Inch with LED Light, Model No. 59161, accessed Jun. 24, 2018.

<http://www.kichler.com/products/product/arkwright-ceiling-fan-ap-300146ap.aspx>, Kichler Arkwright Collection, Arkwright Fan AP (Antique Pewter), Model No. 300146AP, accessed Jun. 24, 2018.

<http://www.montecarlofans.com/53839/60-Owen---Brushed-Steel-3OWR60BSD.html>, Monte Carlo Owen Collection, 60" Ceiling Fan, Product No. 3OWR60BDS, accessed Jun. 24, 2018.

<http://ceilingfans.emerson.com/shop/en/fan/fans-s-emerson-fans/fans-s-contemporary/atomical-fan-p-cf930>, Emerson Atomical 52" Ceiling Fanin Brushed Steel, Model No. CF930BS, accessed Jun. 24, 2018.

<https://www.homedepot.com/p/Hampton-Bay-Northport-52-in-Indoor-Brushed-Nickel-Ceiling-Fan-with-Light-Kit-14926/202790687>, Hampton Bay Northport 52 in. Indoor Brushed Nickel Ceiling Fan with Light Kit, Model No. 14926, accessed Jun. 24, 2018.

<http://www.fanimation.com/products/index.php/fans/berlin.html>, Fanimation Berlin, 52 in Brushed Nickel Indoor Outdoor Downrod Mount-Mount Ceiling Fan with Light Kit, Model No. LP8064.

<http://www.fanimation.com/products/index.php/fans/kaya.html>, Fanimation Kaya, Indoor Outdoor Ceiling Fan, Model No. FP7963, accessed Jun. 24, 2018.

<http://www.craftmade.com/midoro-mo56ch4>, Craftmade Midoro, 56" Ceiling Fan with Blades and Light Kit, Model No. MO56CH4, accessed Jun. 24, 2018.

<http://www.kichler.com/products/product/maor-patio-65-ceiling-fan-distressed-black-dbk-310.aspx>, Kichler Maor Patio Collection, Maor Patio 65 " Ceiling Fan—Distressed Black DBK, Model No. 310136DBK, accessed Jun. 24, 2018.

<http://ceilingfans.emerson.com/shop/en/fan/fans-s-emerson-fans/fans-s-transitional/portland-eco-fan-p-cf965>, Emerson Portland Eco, 54" Ceiling Fan, Model No. CF965, accessed Jun. 24, 2018.

<https://www.hunterfan.com/ceiling-fans/hembree-with-light-52-inch-fam746>, Hunter Fan Hembree 52 inch with Light, Model No. 59230, accessed Jun. 24, 2018.

<http://www.homedepot.com/p/Hampton-Bay-Luxenberg-36-in-Indoor-Brushed-Nickel-Ceiling-Fan-51536/205547393>, Hampton Bay Luxenberg 36 in. LED Brushed Nickel Ceiling Fan, Model No. 91136, accessed Jun. 24, 2018.

<https://www.hunterfan.com/ceiling-fans/mayford-with-led-light-54-inch-fam739>, Hunter Fan Mayford 54inch with LED Light, Model No. 59205, accessed Jun. 24, 2018.

<http://www.homedepot.com/p/Hunter-Zilker-52-in-LED-Indoor-Brushed-Nickel-Ceiling-Fan-59237/301986861?keyword=zilker>, Hunter Fan Zilker 52 in. LED Indoor Brushed Nickel Ceiling Fan with Remote Control, Model No. 59237, accessed Jun. 24, 2018.

<https://www.homedepot.com/p/Hampton-Bay-Senze-52-in-Indoor-Brushed-Nickel-Ceiling-Fan-with-Light-Kit-and-Remote-Control-24816-021/203786324>, Hampton Bay Senze 52" Indoor Brushed Nickel Ceiling Fan with Light Kit and Remote Control, Model No. 24816-021, accessed Jun. 24, 2018.

* cited by examiner

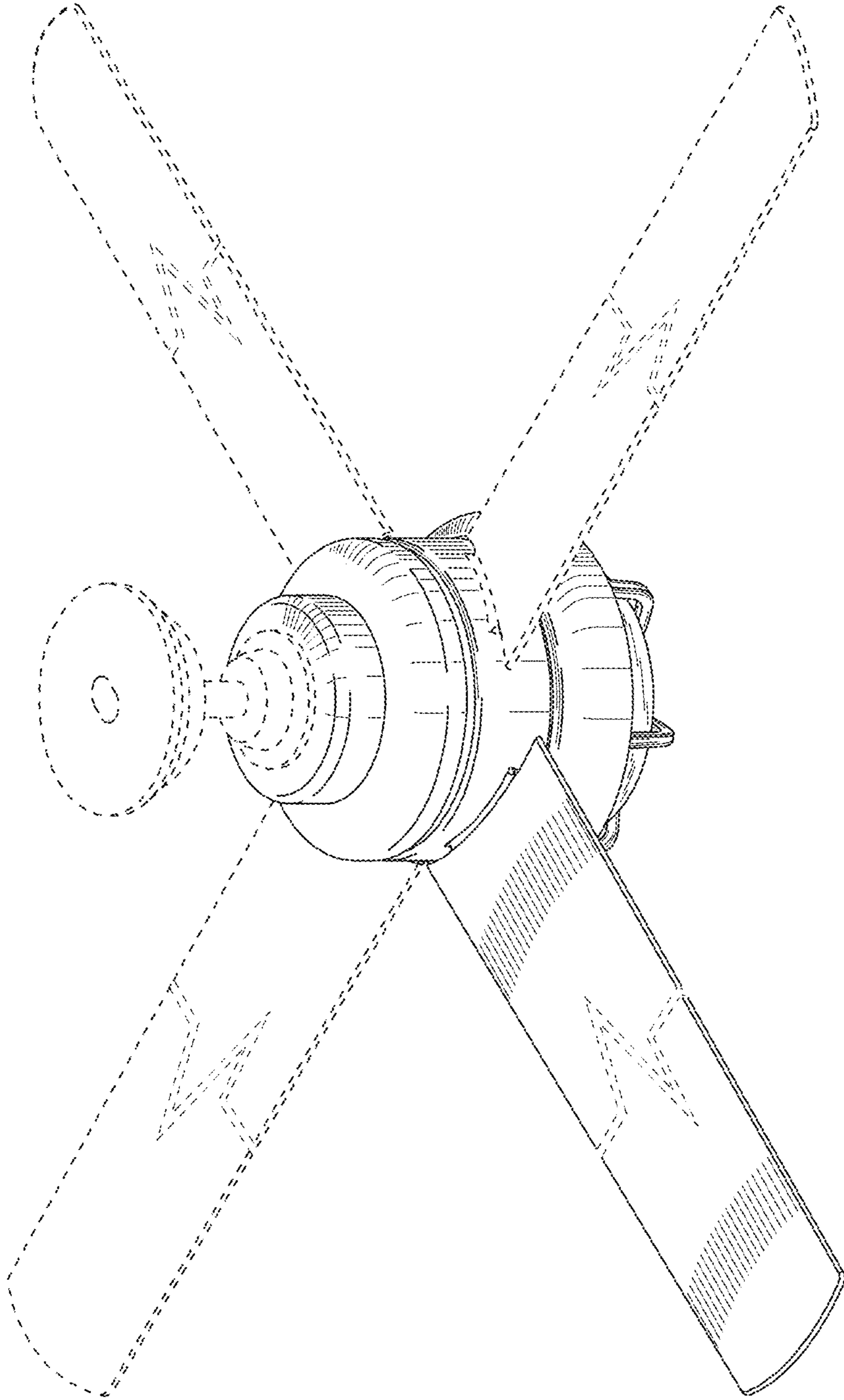


FIG. 1

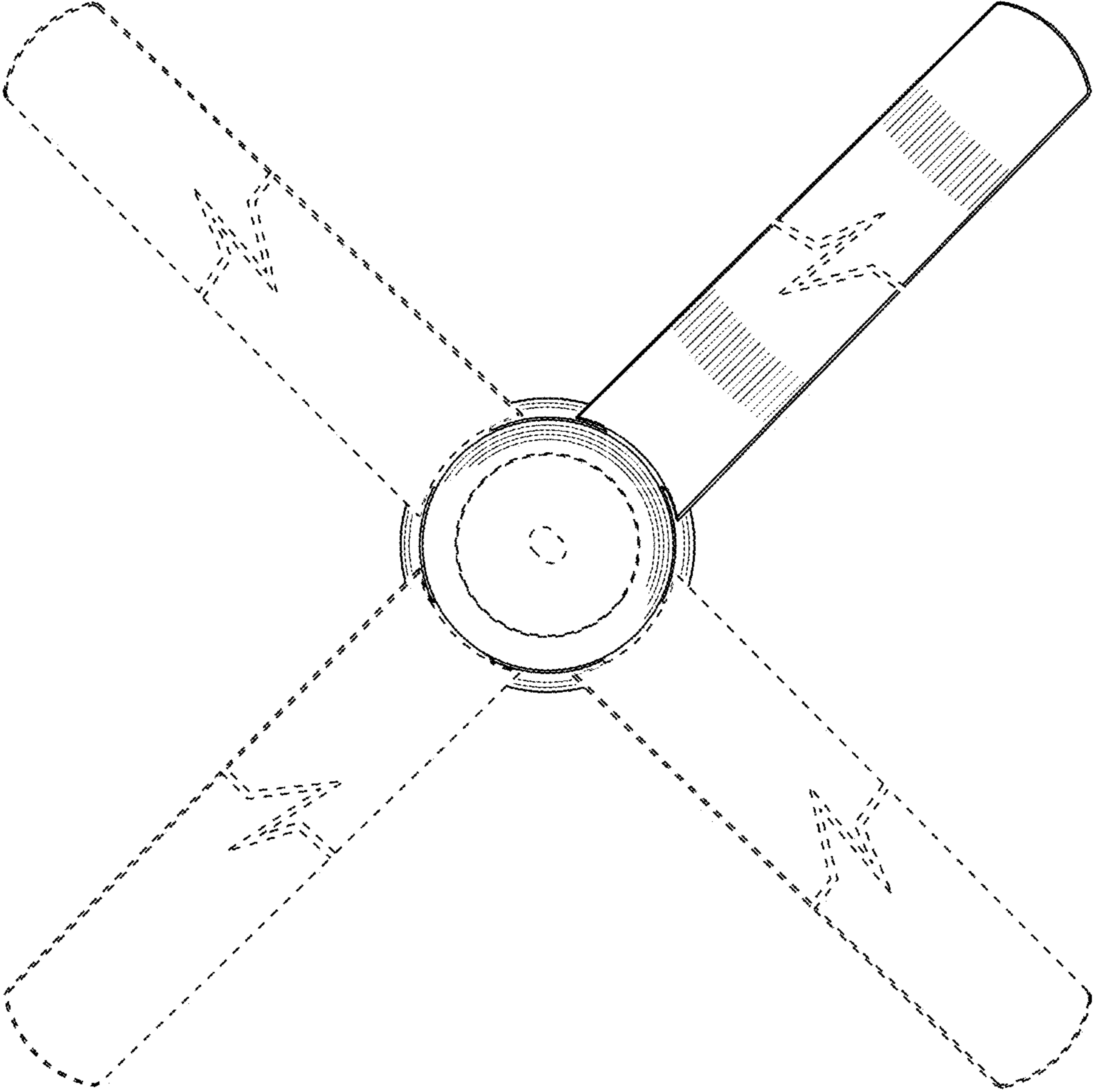


FIG. 2

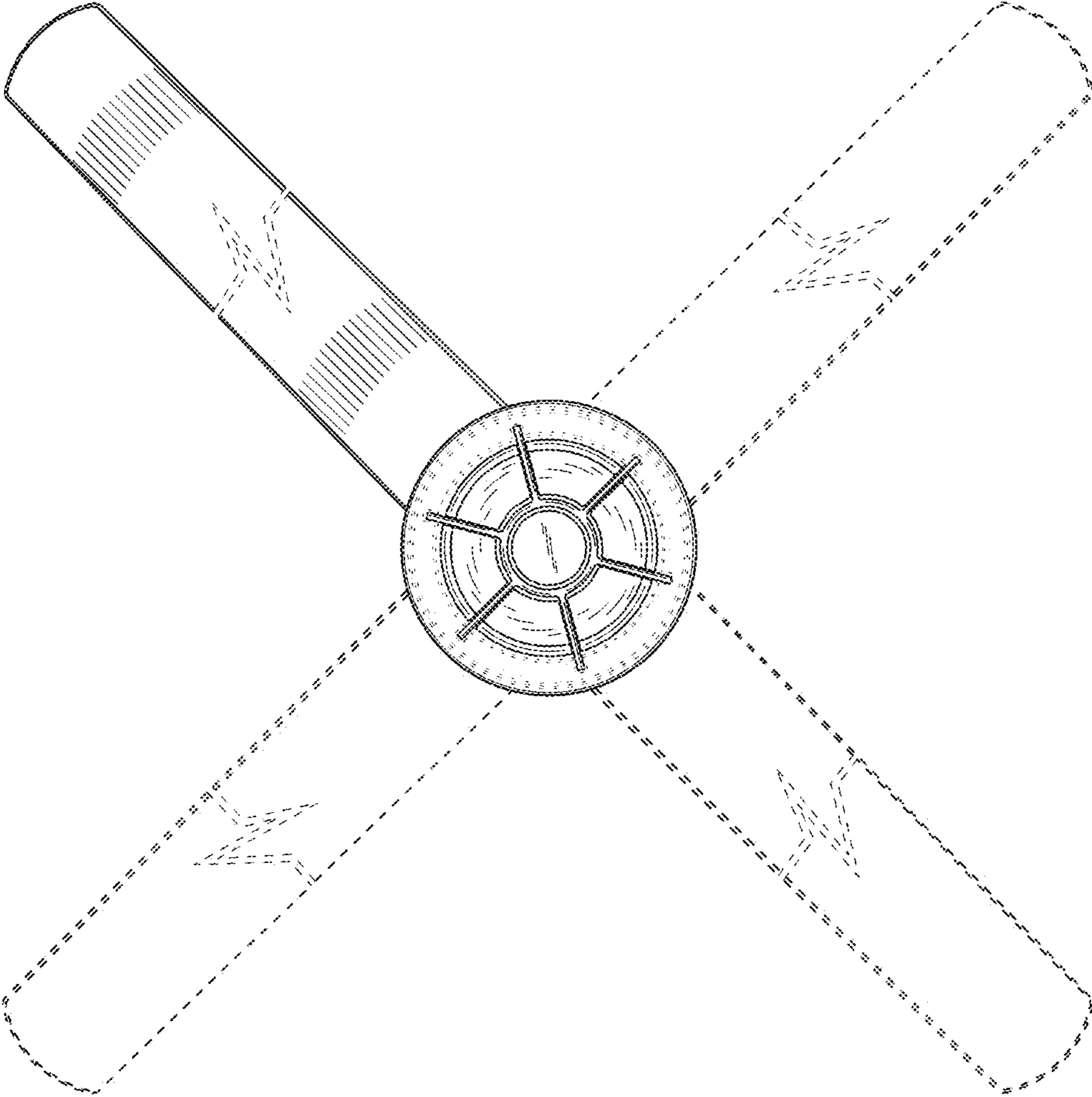


FIG. 3

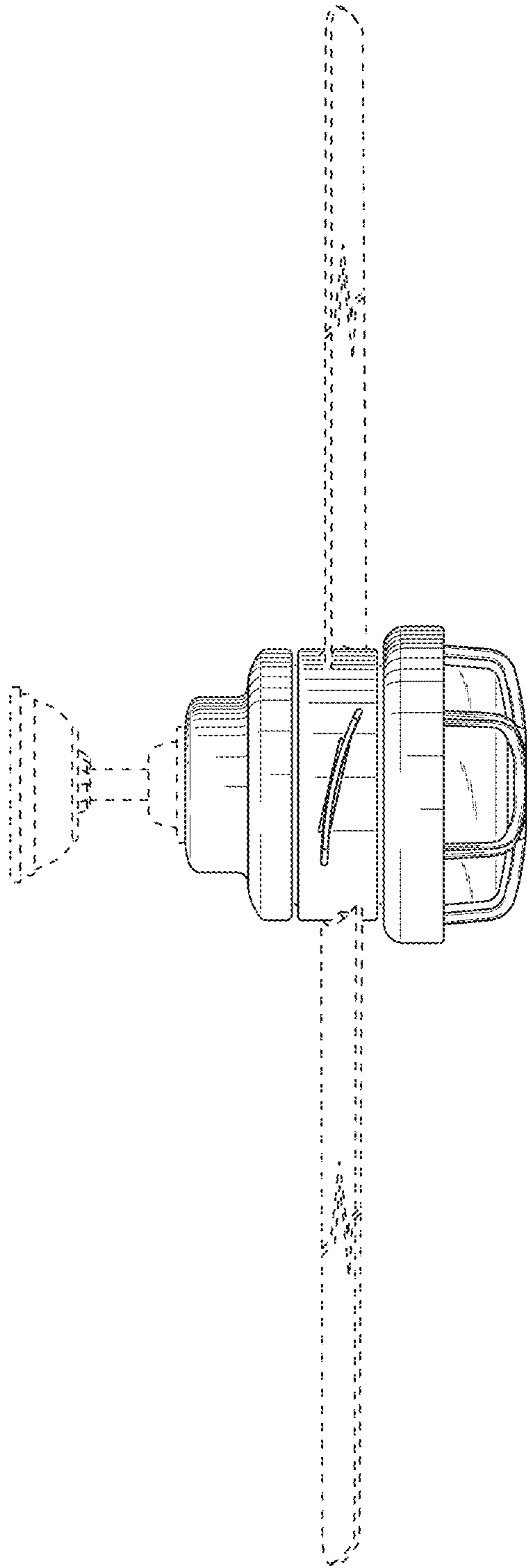


FIG. 4

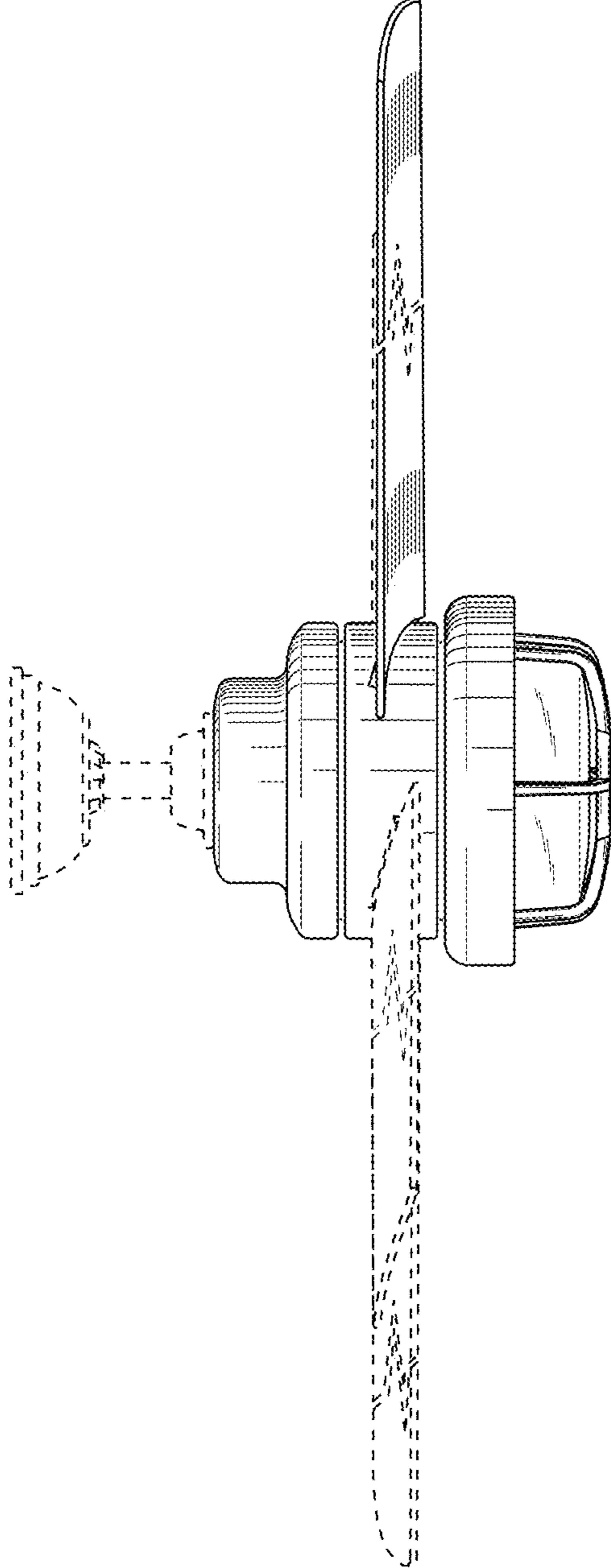


FIG. 5

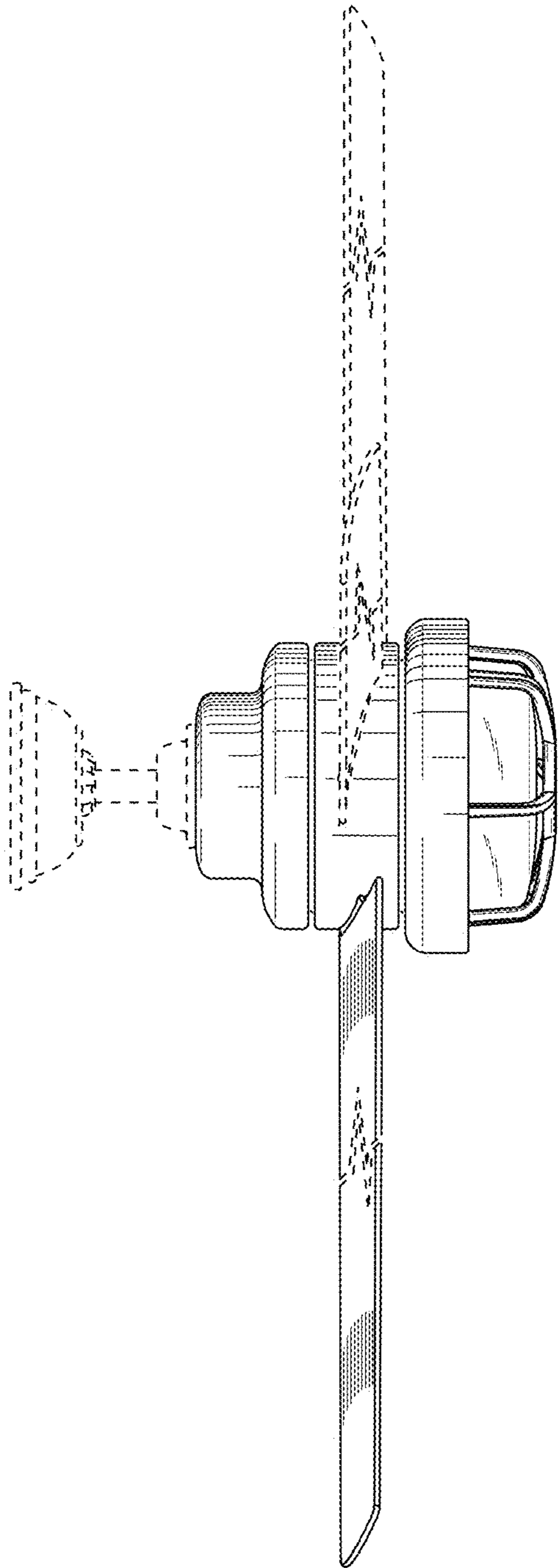


FIG. 6

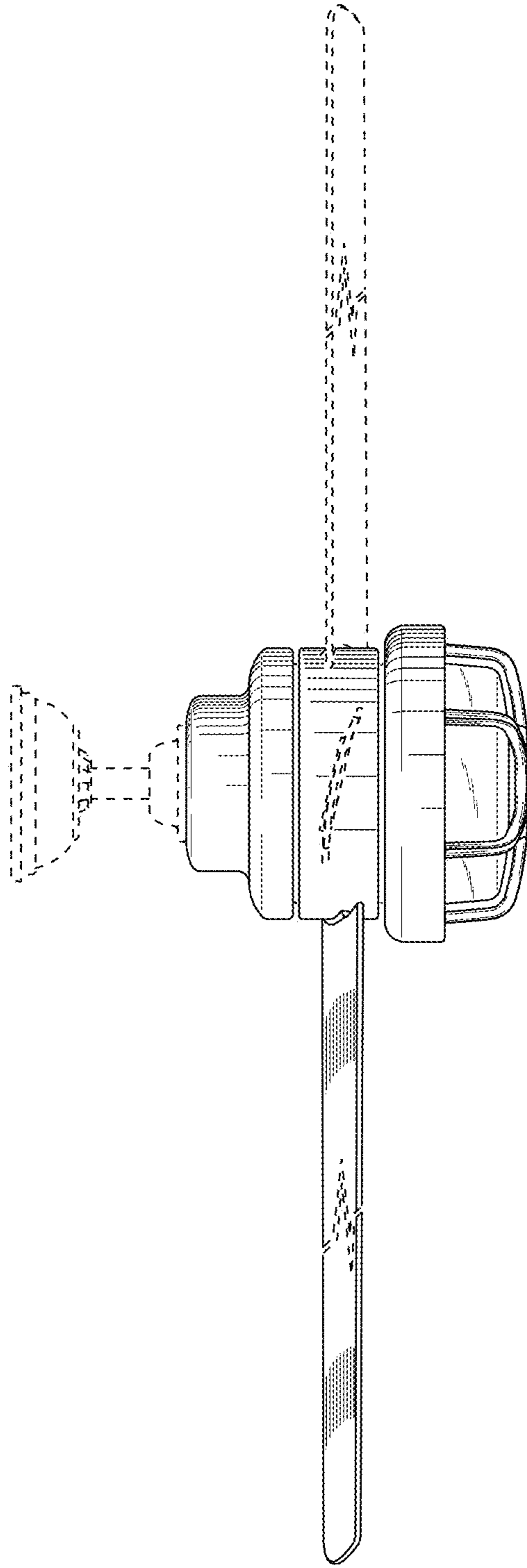


FIG. 7

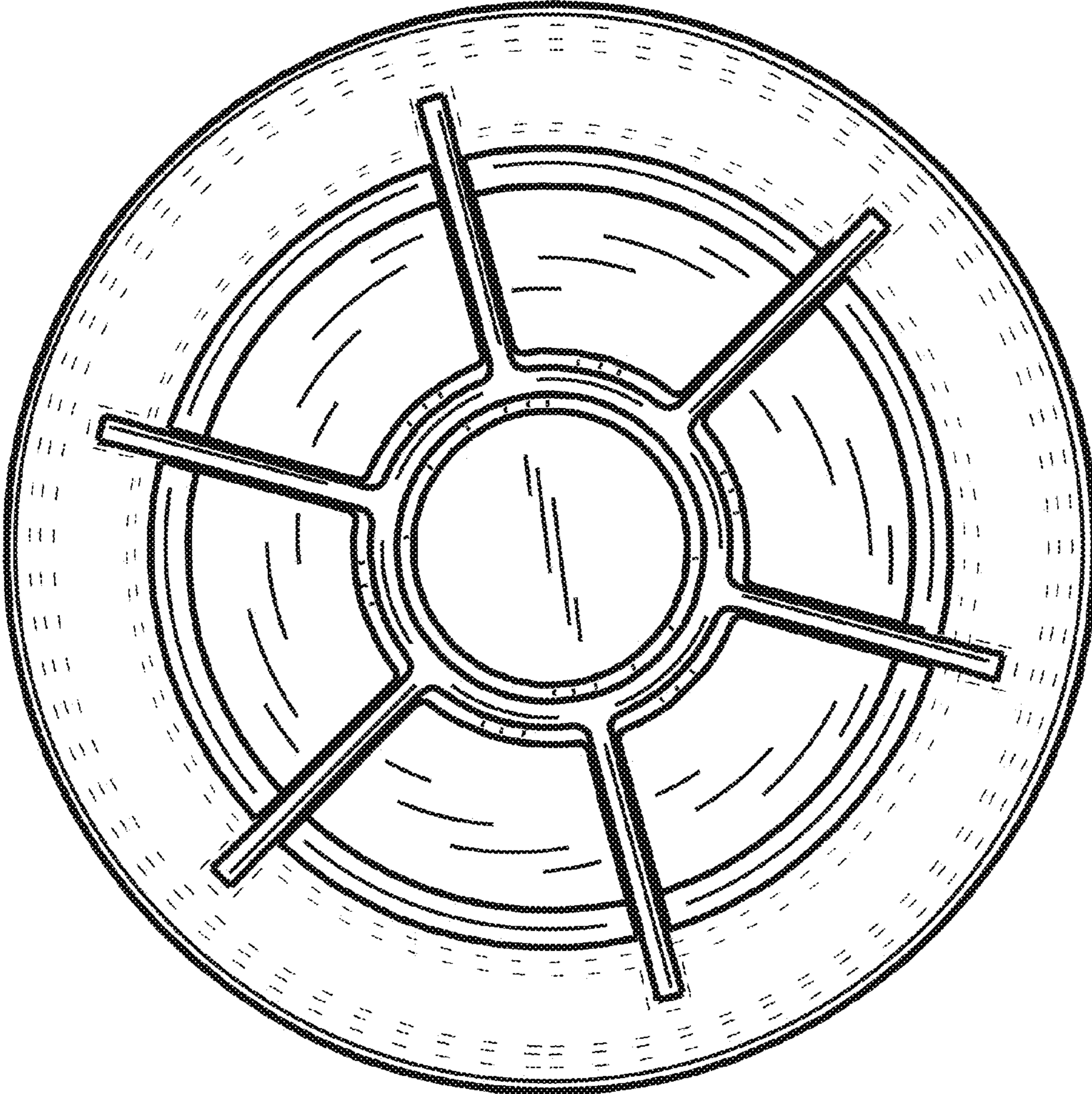


FIG. 8