



US00D943724S

(12) **United States Design Patent** (10) **Patent No.:** **US D943,724 S**
Nikitas (45) **Date of Patent:** **** Feb. 15, 2022**

(54) **AIR PURIFIER**

(71) Applicant: **ETEK CITY CORPORATION**,
Anaheim, CA (US)

(72) Inventor: **Tyler Mark Nikitas**, Laguna Beach,
CA (US)

(**) Term: **15 Years**

(21) Appl. No.: **29/732,749**

(22) Filed: **Apr. 27, 2020**

(30) **Foreign Application Priority Data**

Oct. 25, 2019 (CN) 201930583575.4

(51) **LOC (13) Cl.** **23-04**

(52) **U.S. Cl.**
USPC **D23/364**

(58) **Field of Classification Search**
USPC D23/355–366, 352, 369, 332, 333, 335,
D23/336, 342, 351; 422/120, 122;
55/356, 473, 504; 96/97; 261/DIG. 17,
261/DIG. 65, DIG. 88, DIG. 31
CPC .. A61L 9/16; A61L 9/22; B01D 47/00; B01D
47/027; B01D 2221/02; B01D 2259/4508;
B03C 3/155; B03C 3/368; F24F 3/16;
F24F 13/20; F24F 13/28
See application file for complete search history.

(56) **References Cited**

U.S. PATENT DOCUMENTS

D835,248 S * 12/2018 Echeverri D23/364
D835,249 S * 12/2018 Echeverri D23/365

D876,599 S * 2/2020 He D23/364
D886,269 S * 6/2020 Sakamoto D23/356
D893,009 S * 8/2020 Choi D23/364
D903,847 S * 12/2020 Hernandez D23/364
D912,796 S * 3/2021 Huang D23/364
D917,683 S * 4/2021 Xie D23/359
D918,365 S * 5/2021 Li D23/359
D918,366 S * 5/2021 Li D23/359
D918,367 S * 5/2021 Li D23/359
D919,780 S * 5/2021 Li D23/359
D919,781 S * 5/2021 Nakamura D23/364

* cited by examiner

Primary Examiner — David G Muller

(74) *Attorney, Agent, or Firm* — Tsz Lung Yeung

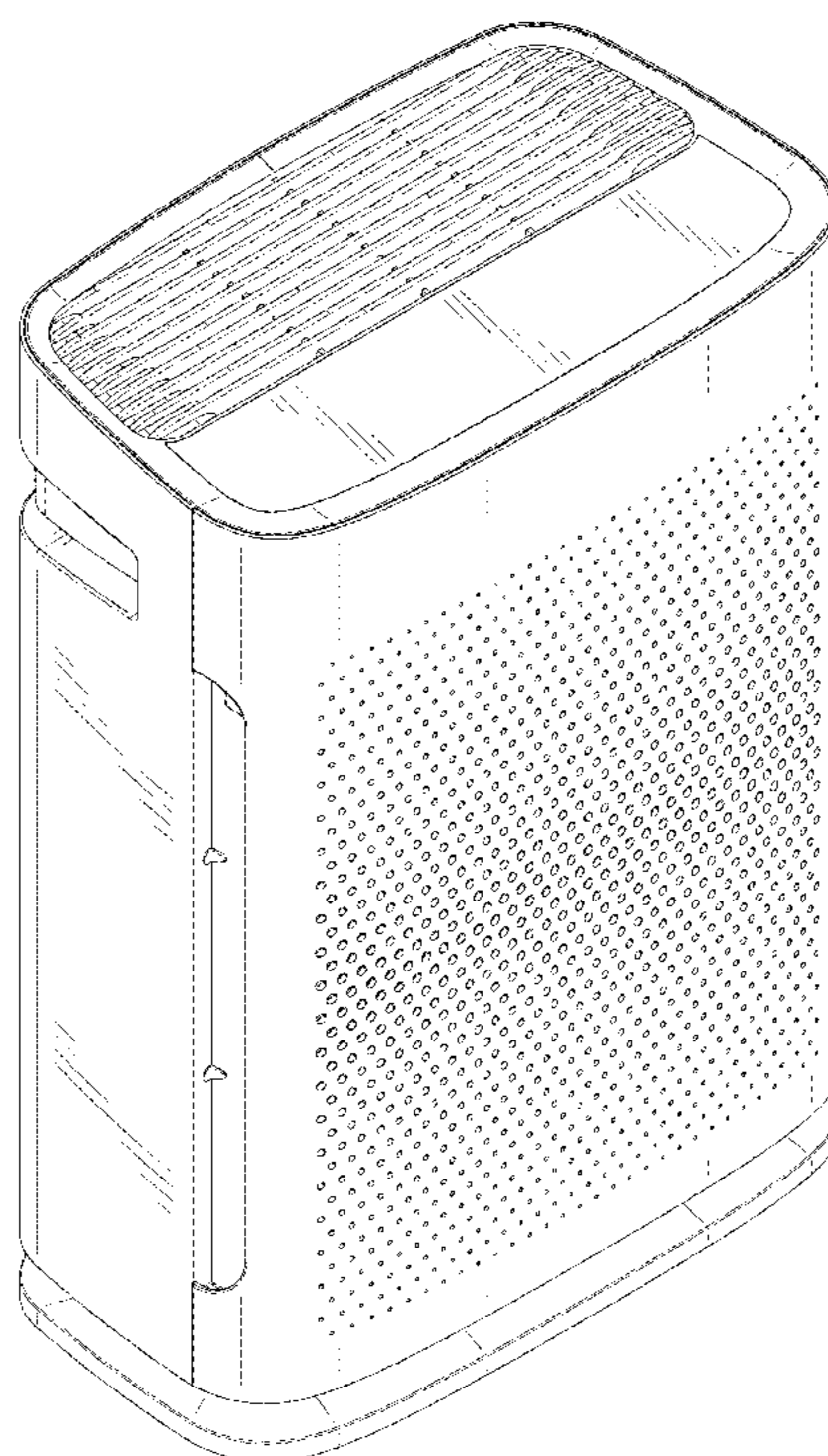
(57) **CLAIM**

The ornamental design for an air purifier, as shown and described.

DESCRIPTION

FIG. 1 is a perspective view of an air purifier showing my new design;
FIG. 2 is a front view thereof;
FIG. 3 is a rear view thereof;
FIG. 4 is a right side view thereof;
FIG. 5 is a left side view thereof;
FIG. 6 is a top view thereof;
FIG. 7 is a bottom view thereof; and,
FIG. 8 is a rear perspective view thereof.
The broken lines in the figures show portions of the air purifier that form no part of the claimed design.

1 Claim, 8 Drawing Sheets



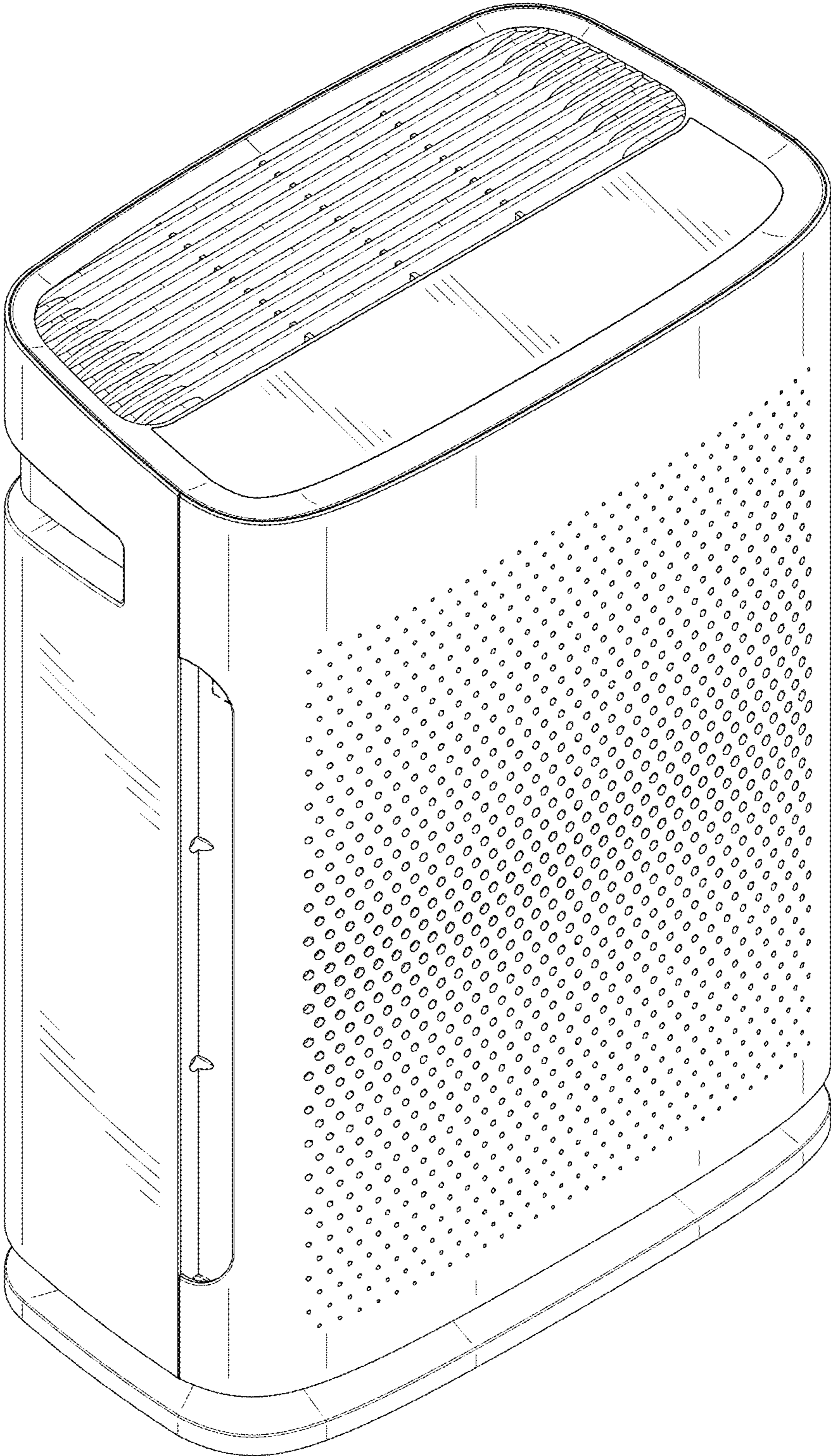


FIG. 1

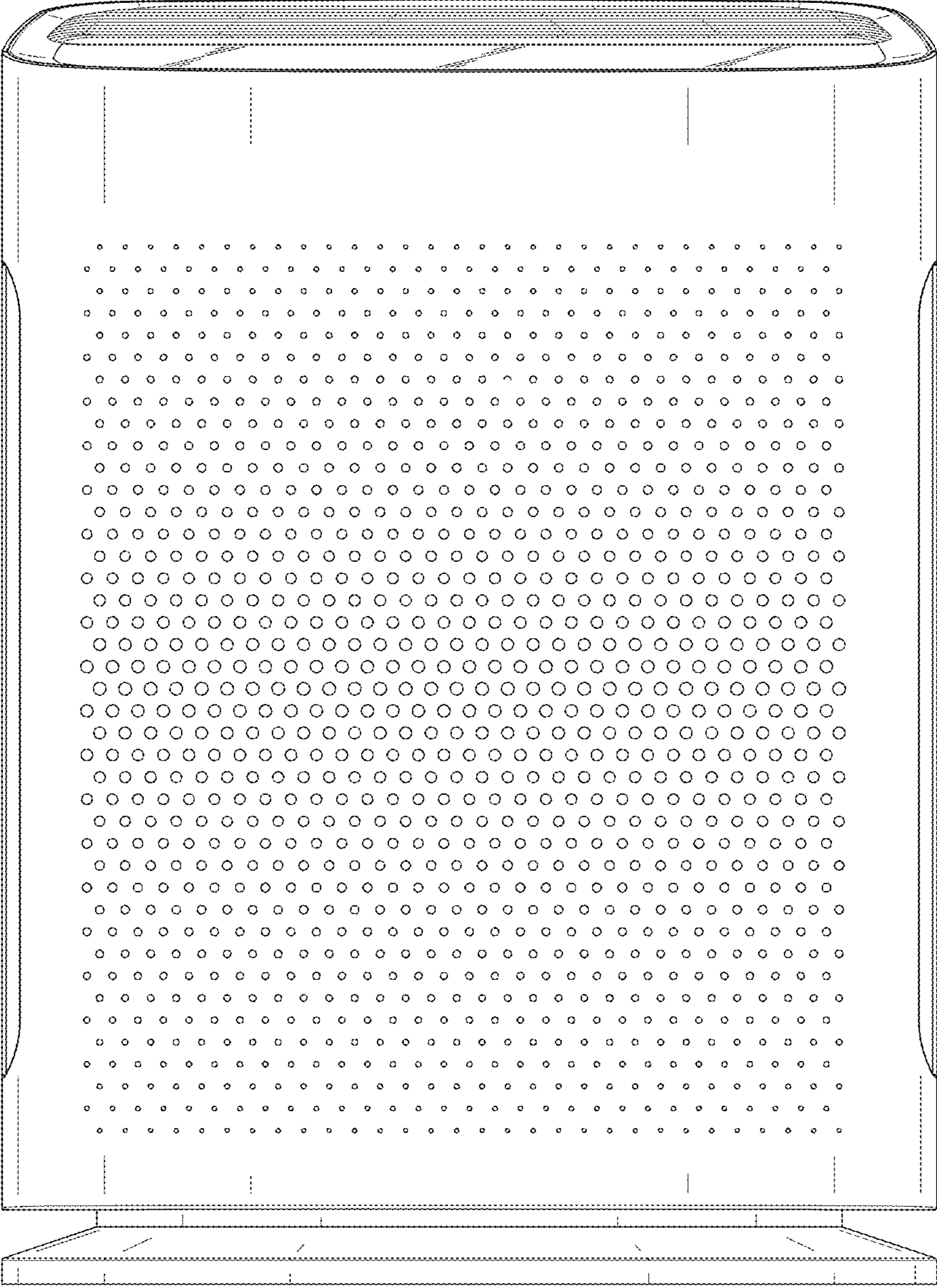


FIG. 2

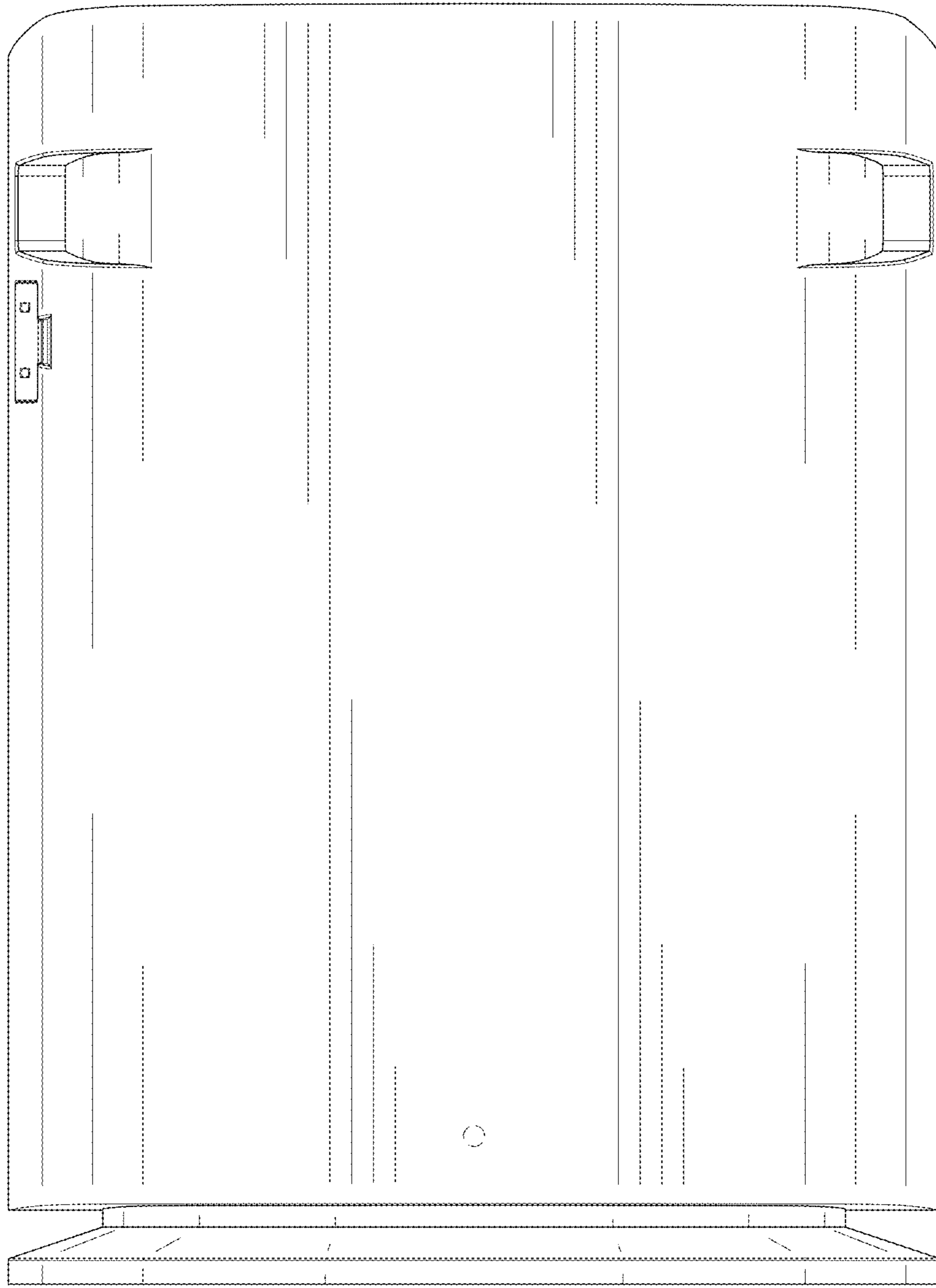


FIG. 3

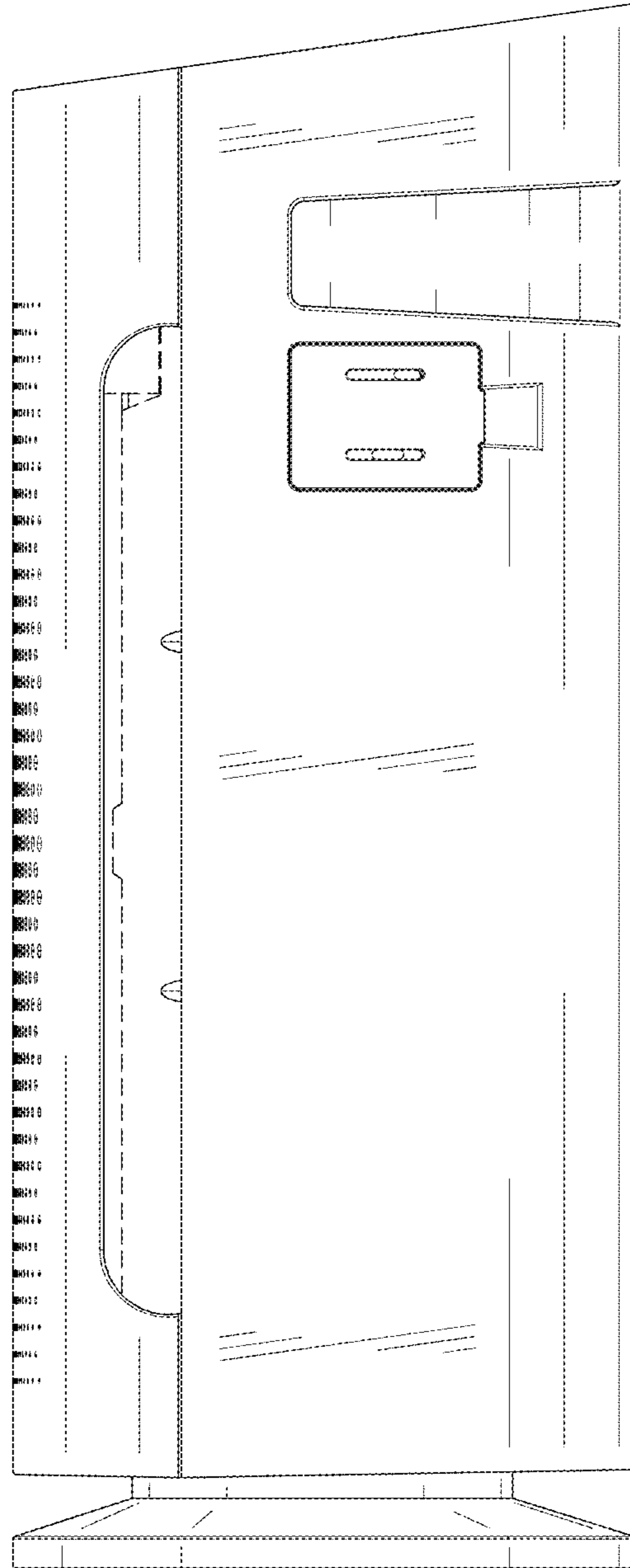


FIG. 4

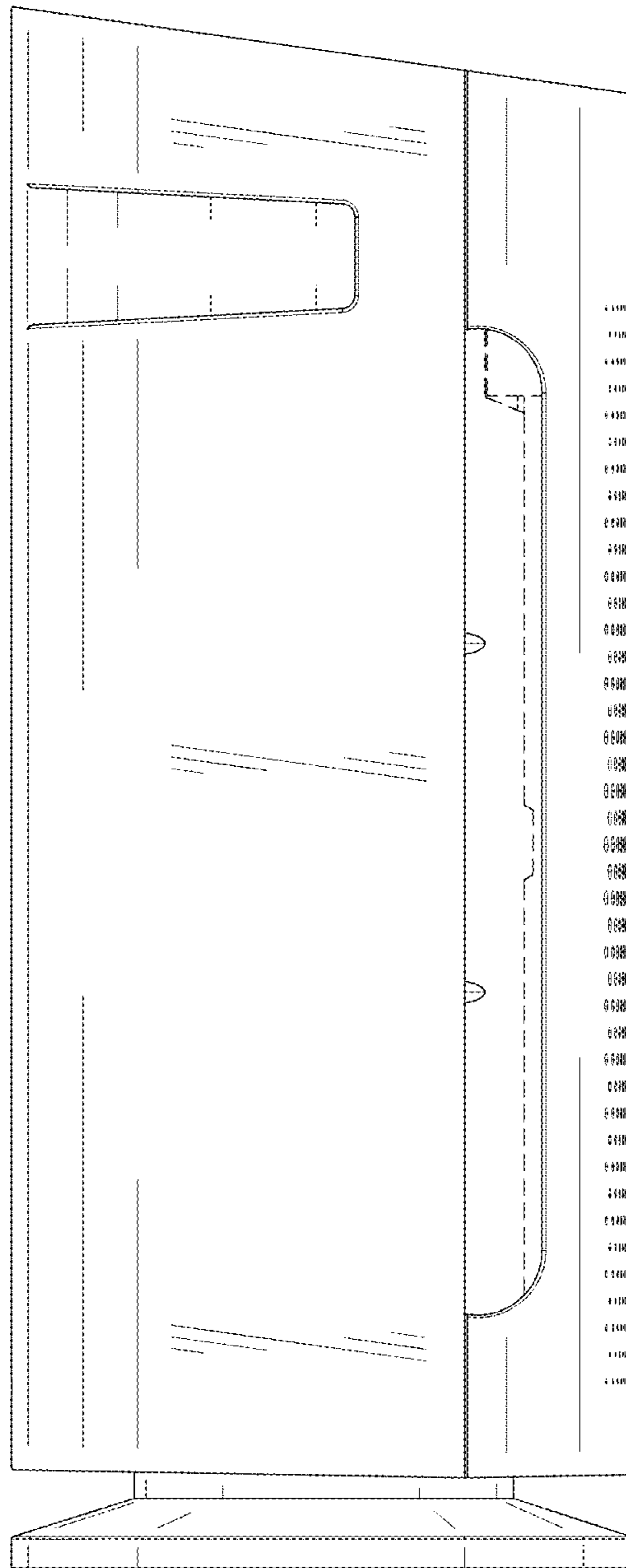


FIG. 5

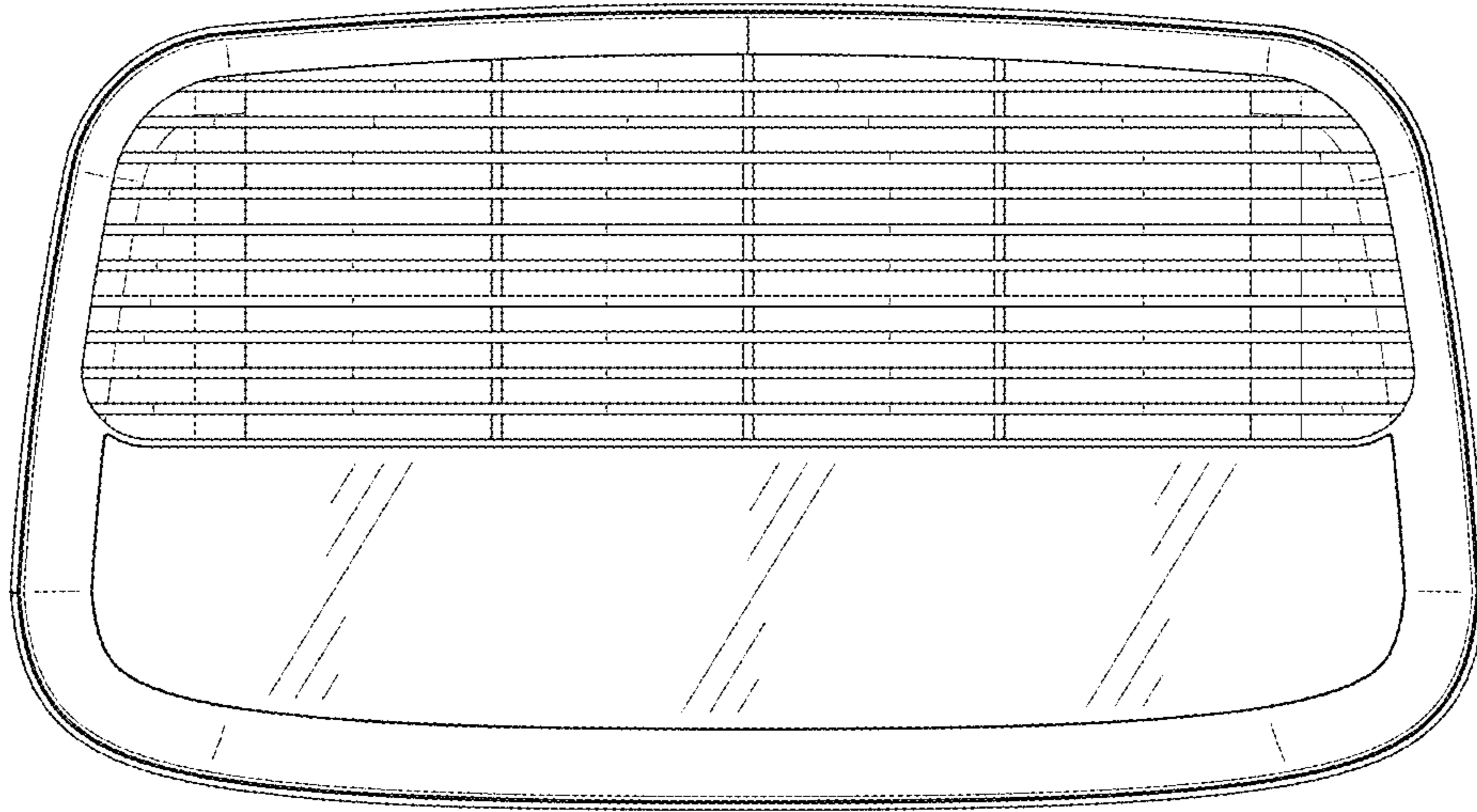


FIG. 6

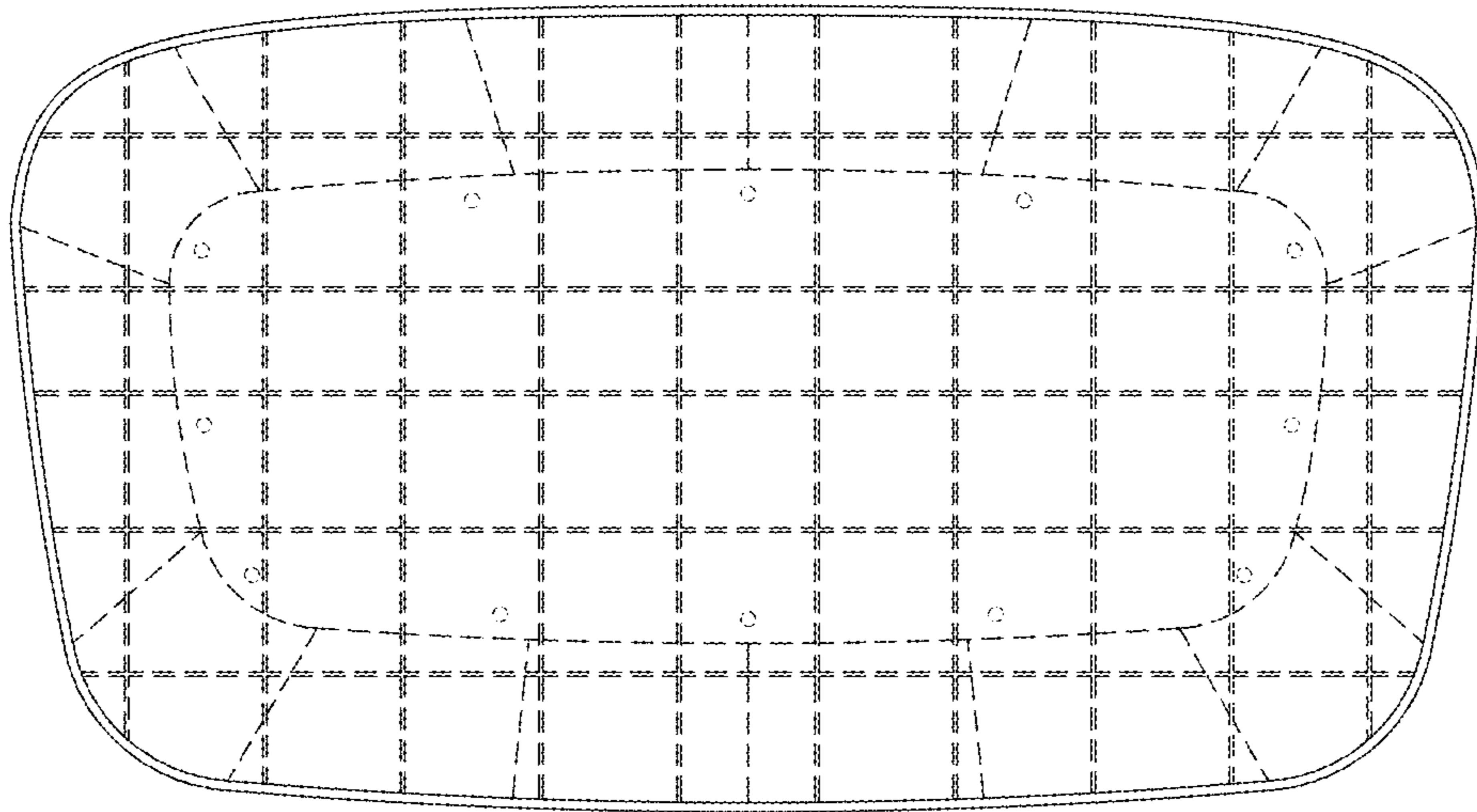


FIG. 7

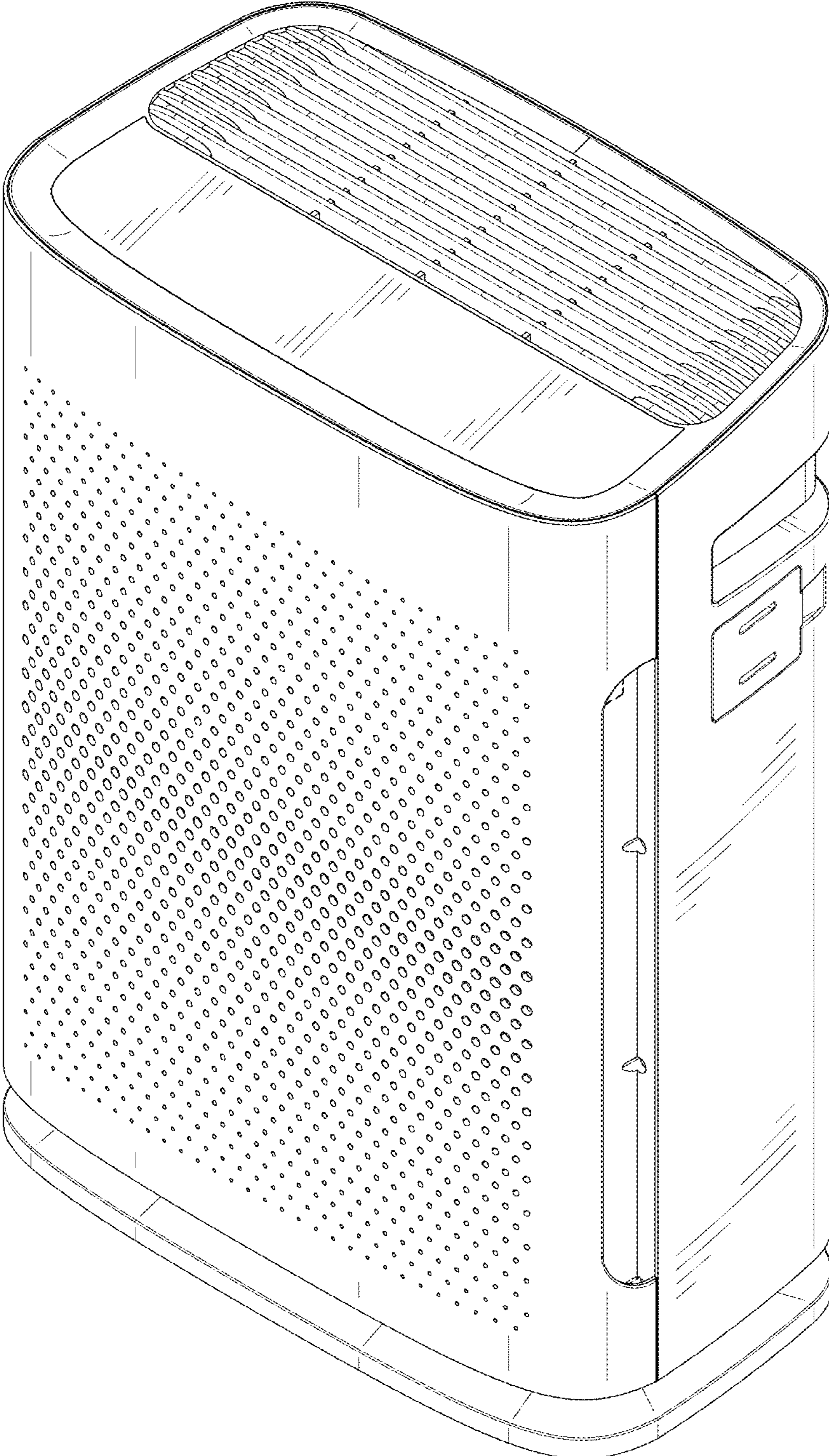


FIG. 8