



US00D943722S

(12) **United States Design Patent**
Bermúdez et al.

(10) **Patent No.:** **US D943,722 S**
(45) **Date of Patent:** **** Feb. 15, 2022**

- (54) **CATALYTIC SAIL DESIGN FOR A DRY HYDROGEN PEROXIDE (DHP) GENERATING DEVICE**
- (71) Applicant: **Synexis LLC**, Overland Park, KS (US)
- (72) Inventors: **Pedro J. Bermúdez**, Olathe, KS (US);
Stefan Grobe, Waldenbuch (DE)
- (73) Assignee: **Synexis LLC**, Overland Park, KS (US)
- (**) Term: **15 Years**
- (21) Appl. No.: **29/723,873**
- (22) Filed: **Feb. 11, 2020**
- (51) **LOC (13) Cl.** **23-04**
- (52) **U.S. Cl.**
USPC **D23/355**
- (58) **Field of Classification Search**
USPC D23/355-366, 352, 369, 332, 333, 335,
D23/336, 342, 351; 422/120, 122;
55/356, 473, 504; 96/97; 261/DIG. 17,
261/DIG. 65, DIG. 88, DIG. 31
CPC .. A61L 9/16; A61L 9/22; B01D 47/00; B01D
47/027; B01D 2221/02; B01D 2259/4508;
B03C 3/155; B03C 3/368; F24F 3/16;
F24F 13/20; F24F 13/28
See application file for complete search history.

- (56) **References Cited**
U.S. PATENT DOCUMENTS
4,553,992 A * 11/1985 Boissinot A61L 9/16
126/299 D
5,348,691 A * 9/1994 McElroy F24F 3/14
261/36.1
5,690,719 A * 11/1997 Hodge B01D 46/0005
96/17
5,824,126 A * 10/1998 Chen B01D 46/10
55/501

7,691,165	B1 *	4/2010	Hammes	B01D 46/0002	55/495
8,168,122	B2 *	5/2012	Lee	A61L 2/208	422/120
9,114,356	B2 *	8/2015	Gurman	B03C 3/38	
D814,006	S *	3/2018	Bosma	D23/355	
D890,898	S *	7/2020	Nibbelink	D23/355	
D896,360	S *	9/2020	Guilliard	D23/351	
D896,362	S *	9/2020	Riley	D23/366	
2003/0102106	A1 *	6/2003	Moilala	F24F 12/001	165/4
2004/0172927	A1 *	9/2004	Lee	F24F 13/28	55/495
2007/0012192	A1 *	1/2007	Pippel	B01D 46/0005	96/417
2015/0217018	A1 *	8/2015	Sanchez Tavora	F24F 8/192	422/114
2015/0273985	A1 *	10/2015	Luley	B60H 3/0658	96/134
2020/0114032	A1 *	4/2020	Spencer	A61B 50/00	

* cited by examiner

Primary Examiner — David G Muller
(74) *Attorney, Agent, or Firm* — Arnold & Porter Kaye Scholer

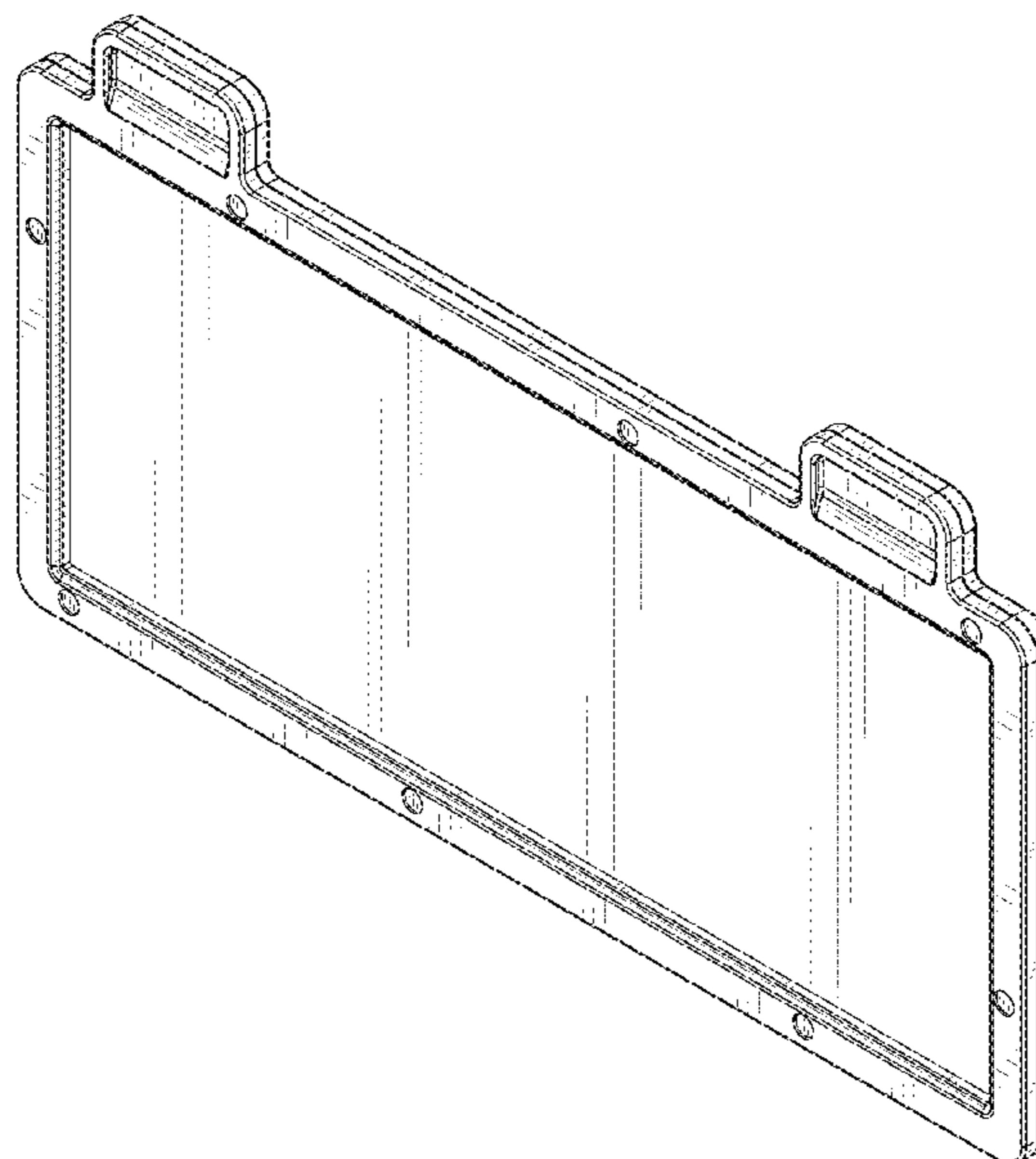
(57) **CLAIM**

The ornamental design for a catalytic sail for a dry hydrogen peroxide (DHP) generating device, as shown and described.

DESCRIPTION

FIG. 1 is a perspective view of catalytic sail for use in a dry hydrogen peroxide (DHP) generating device of the present application.
FIG. 2 is a front view of the catalytic sail of FIG. 1.
FIG. 3 is a back view of the catalytic sail of FIG. 1.
FIG. 4 is a left side view of the catalytic sail of FIG. 1.
FIG. 5 is a right side view of the catalytic sail of FIG. 1.
FIG. 6 is a top view of the catalytic sail of FIG. 1; and,
FIG. 7 is bottom view of the catalytic sail of FIG. 1.

1 Claim, 7 Drawing Sheets



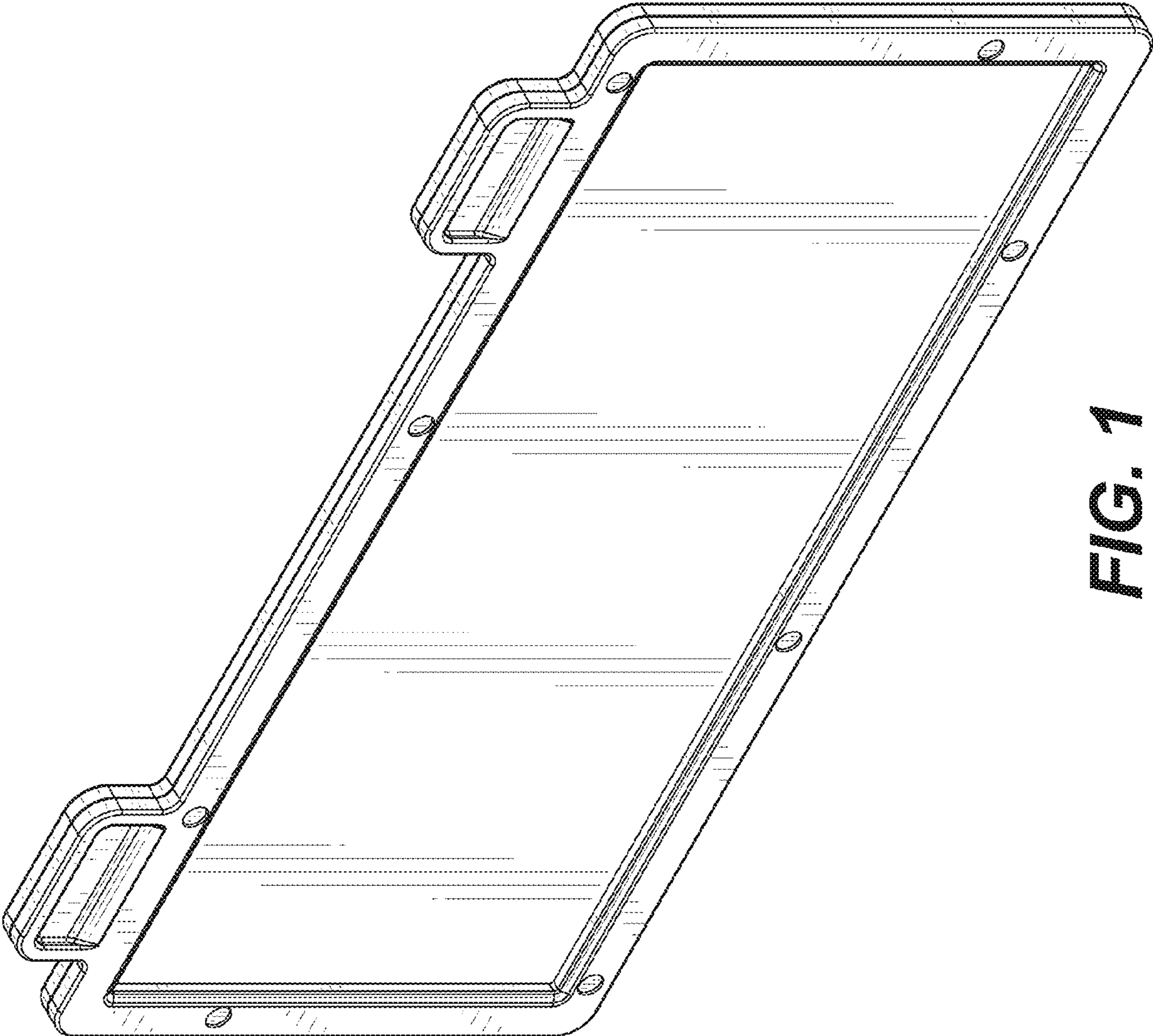


FIG. 1

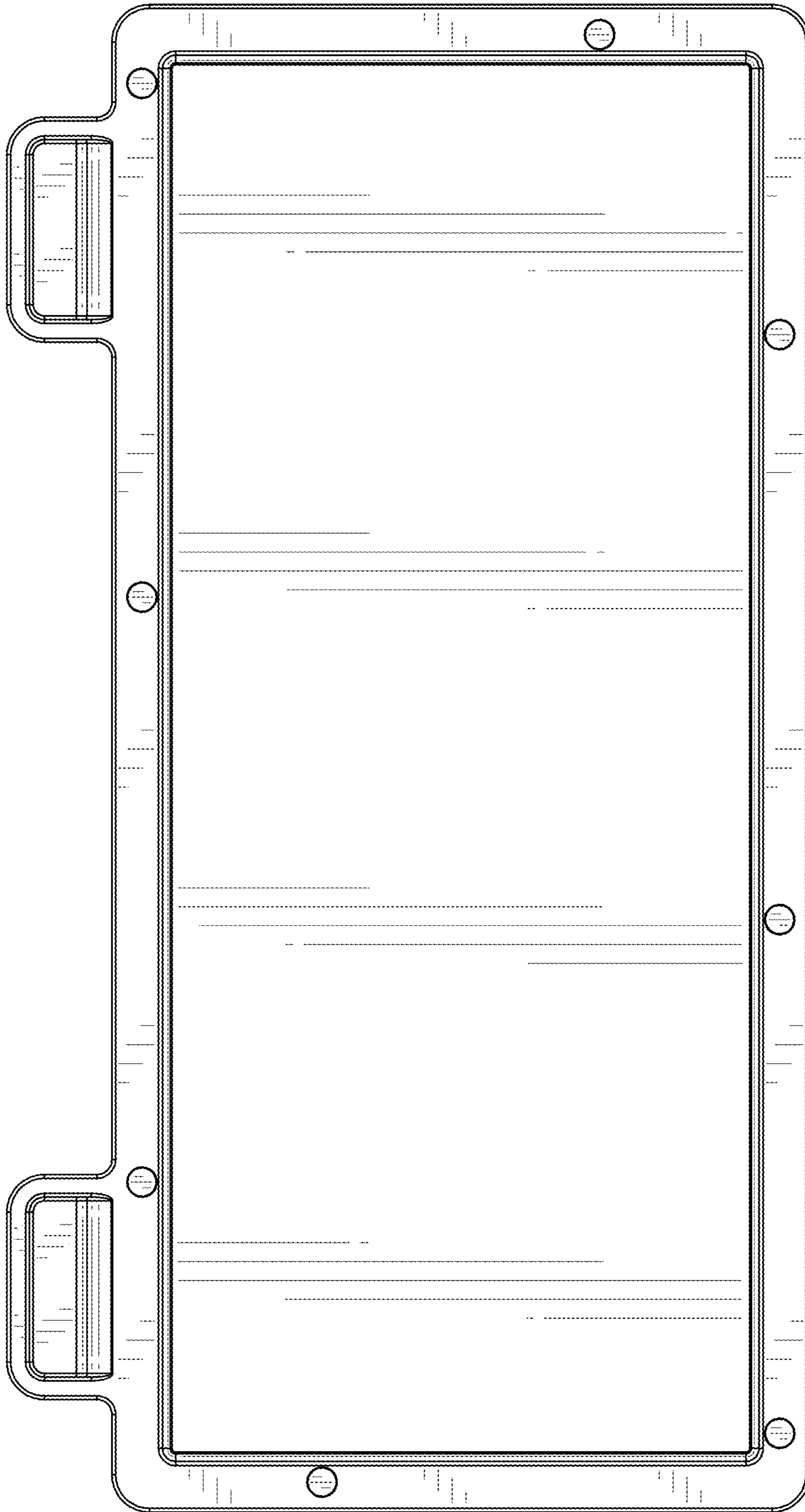


FIG. 2

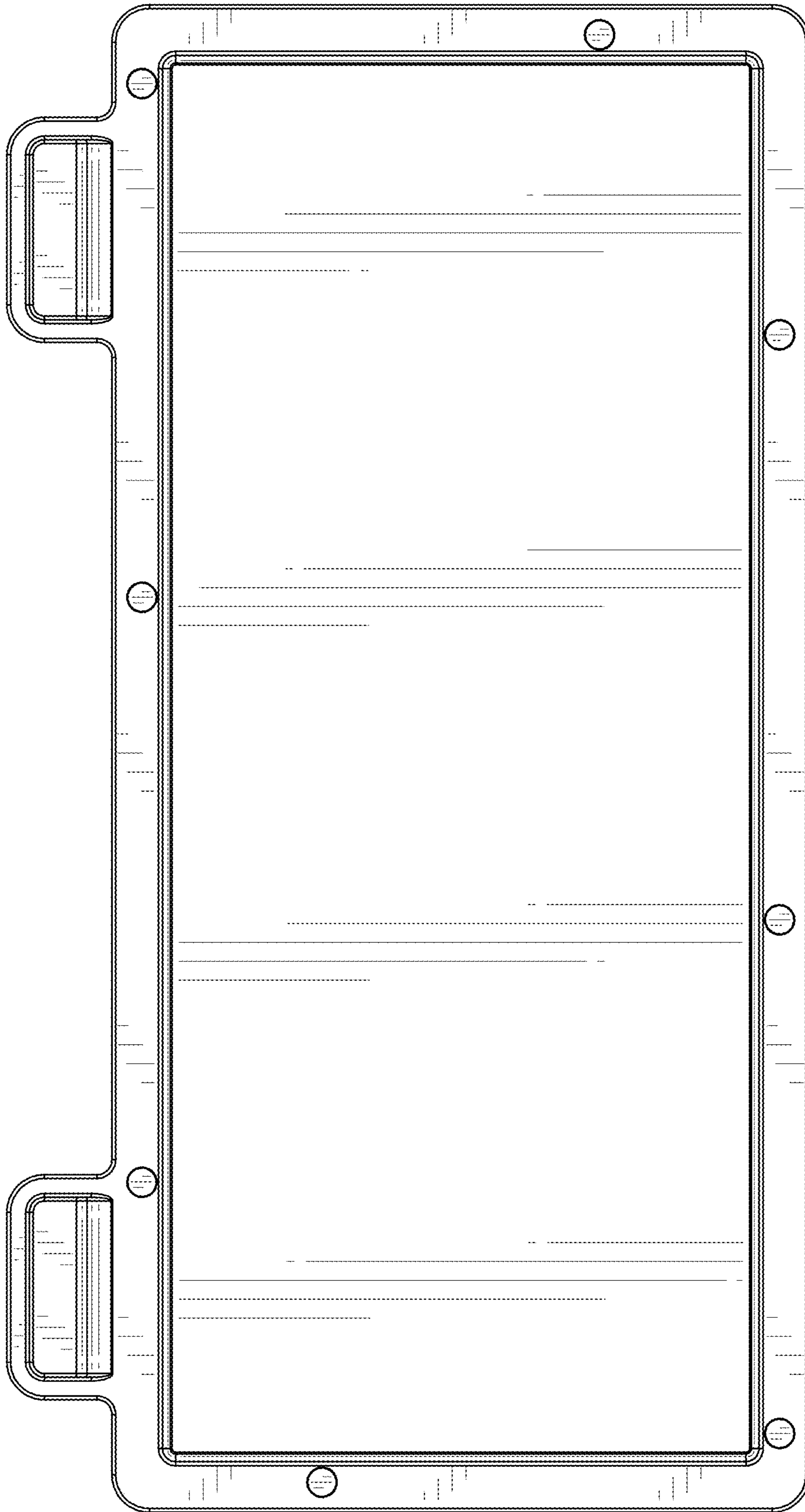


FIG. 3



FIG. 4



FIG. 5



FIG. 6

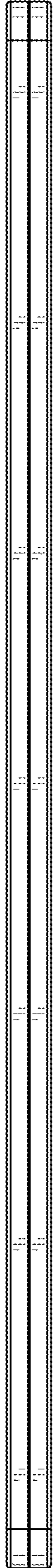


FIG. 7