



US00D943721S

(12) **United States Design Patent**
Lee et al.

(10) **Patent No.:** **US D943,721 S**
(45) **Date of Patent:** **** Feb. 15, 2022**

(54) **FAN COIL DEVICE FOR PRODUCING DRY HYDROGEN PEROXIDE**

(71) Applicant: **Synexis LLC**, Overland Park, KS (US)

(72) Inventors: **James D. Lee**, Kansas City, KS (US);
Pedro J. Bermúdez, Olathe, KS (US);
David G. Sharpe, Blue Springs, MO (US)

(**) Term: **15 Years**

(21) Appl. No.: **29/692,121**

(22) Filed: **May 22, 2019**

(51) **LOC (13) Cl.** **23-04**

(52) **U.S. Cl.**
USPC **D23/355**

(58) **Field of Classification Search**
USPC D23/355–366, 370, 386, 393
CPC A61L 2209/16; A61L 2209/211
See application file for complete search history.

(56) **References Cited**

U.S. PATENT DOCUMENTS

D744,627 S	*	12/2015	Bosma	D23/366
D796,662 S	*	9/2017	Harman	F16L 3/003
					D23/393
D814,006 S	*	3/2018	Bosma	D23/355
D876,607 S	*	2/2020	Kim	D23/370
D890,898 S	*	7/2020	Nibbelink	D23/355

2005/0175500	A1*	8/2005	Adams	A61L 2/24
					422/29
2016/0193248	A1*	7/2016	Lee	A61K 33/40
					424/616
2018/0185538	A1*	7/2018	Lee	C01B 15/027
2018/0192619	A1*	7/2018	Lee	A01K 45/007
2018/0289009	A1*	10/2018	Lee	A01G 18/00
2021/0308316	A1*	10/2021	Lee	A61L 9/16

* cited by examiner

Primary Examiner — Sharon S Oum

(74) *Attorney, Agent, or Firm* — Arnold & Porter Kaye Scholer

(57) **CLAIM**

The ornamental design for a fan coil device for producing dry hydrogen peroxide, as shown and described.

DESCRIPTION

FIG. 1 is a perspective view of a fan coil device for producing DHP.

FIG. 2 is a second perspective view of the device of FIG. 1.

FIG. 3 is a front view of the device of FIG. 1.

FIG. 4 is a back view of the device of FIG. 1.

FIG. 5 is a right hand side view of the device of FIG. 1.

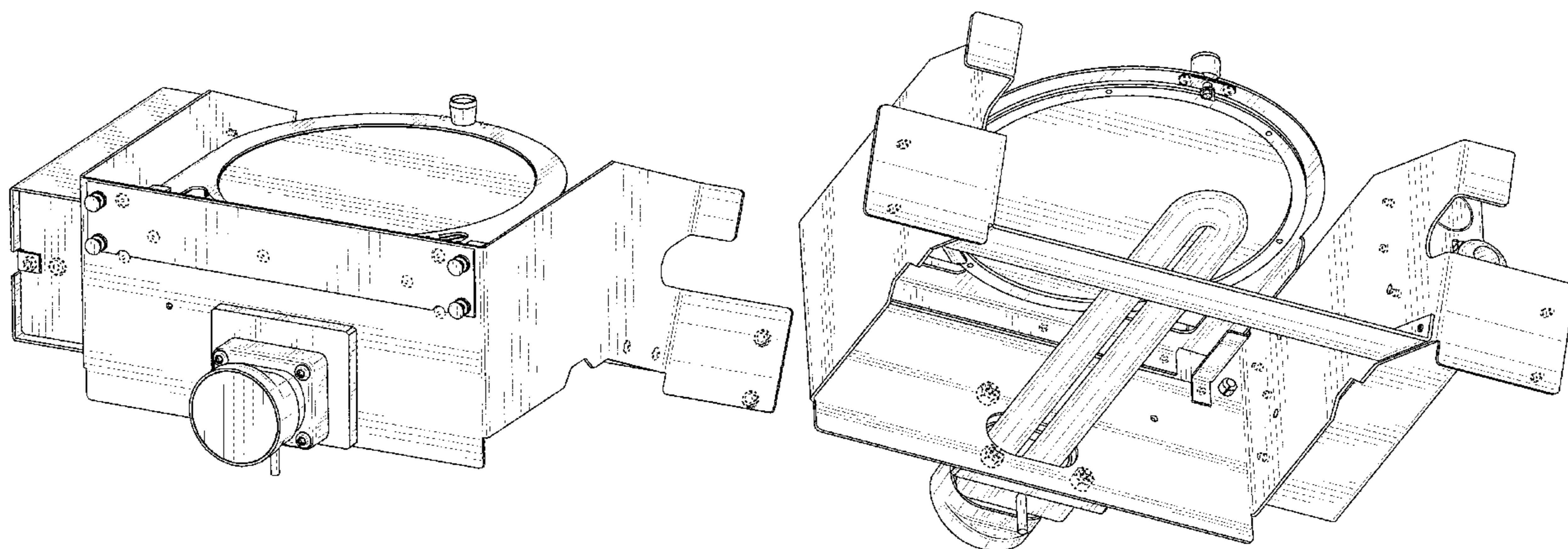
FIG. 6 is a left hand side view of the device of FIG. 1.

FIG. 7 is a top view of the device of FIG. 1; and,

FIG. 8 is a bottom view of the device of FIG. 1.

Broken-line disclosure in the views illustrate portions of the fan coil device for producing dry hydrogen peroxide and forms no part of the claimed design.

1 Claim, 8 Drawing Sheets



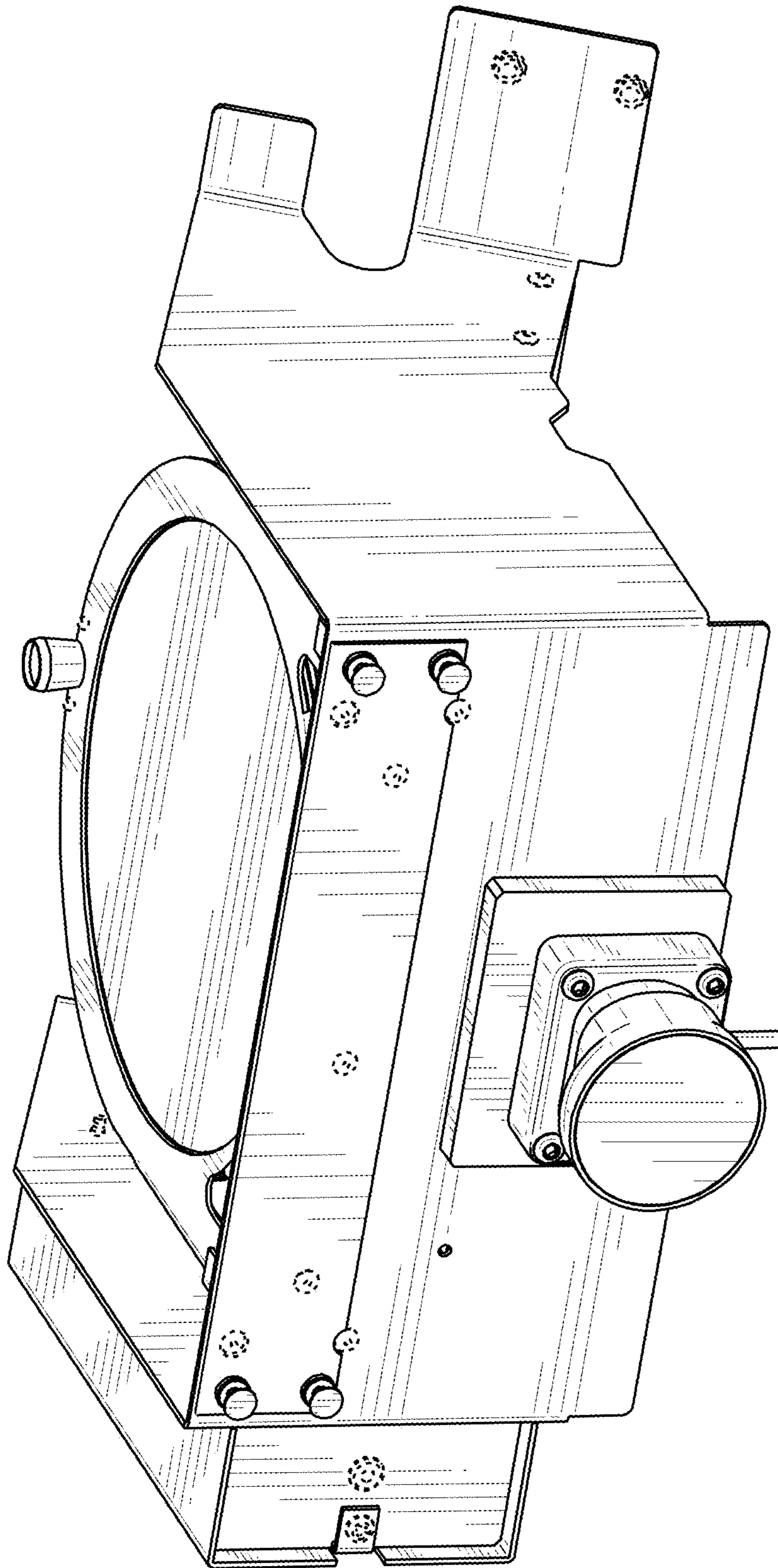


FIG. 1

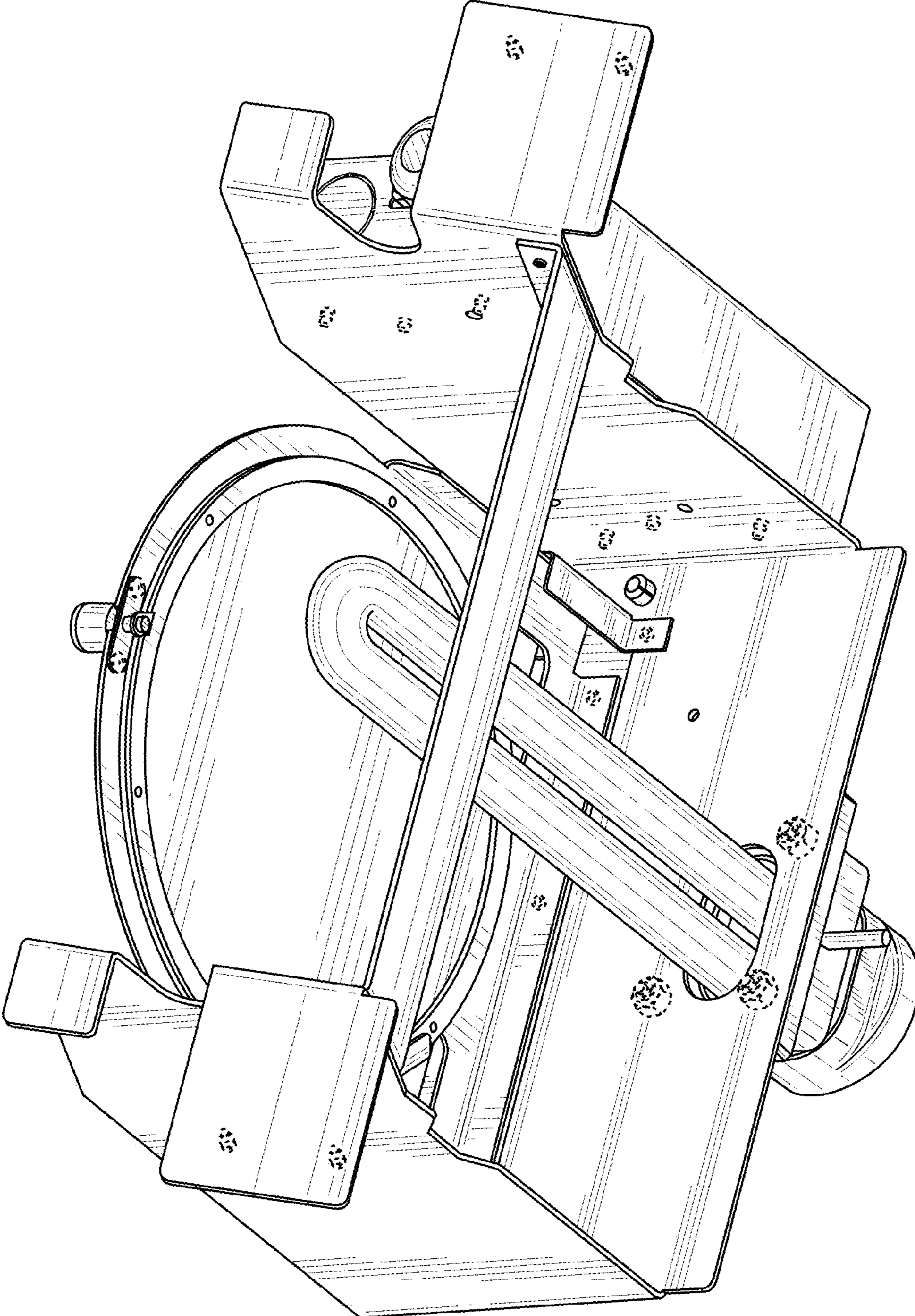


FIG. 2

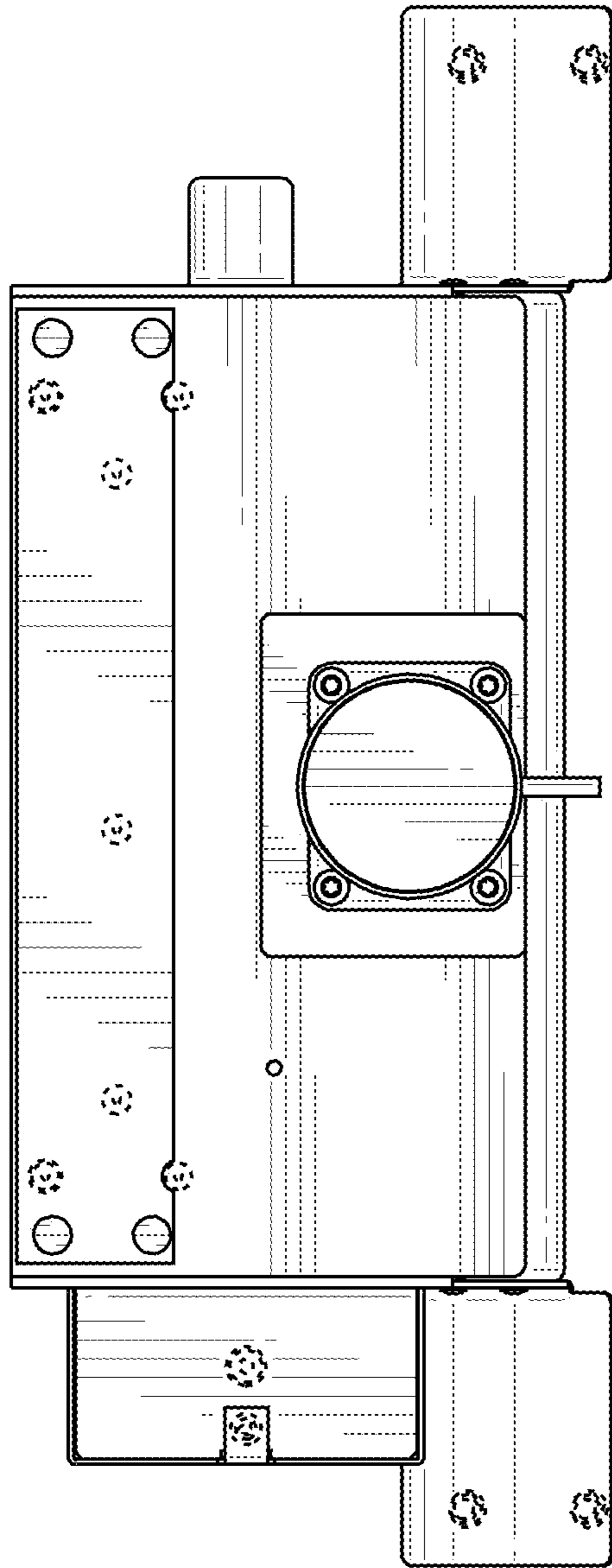


FIG. 3

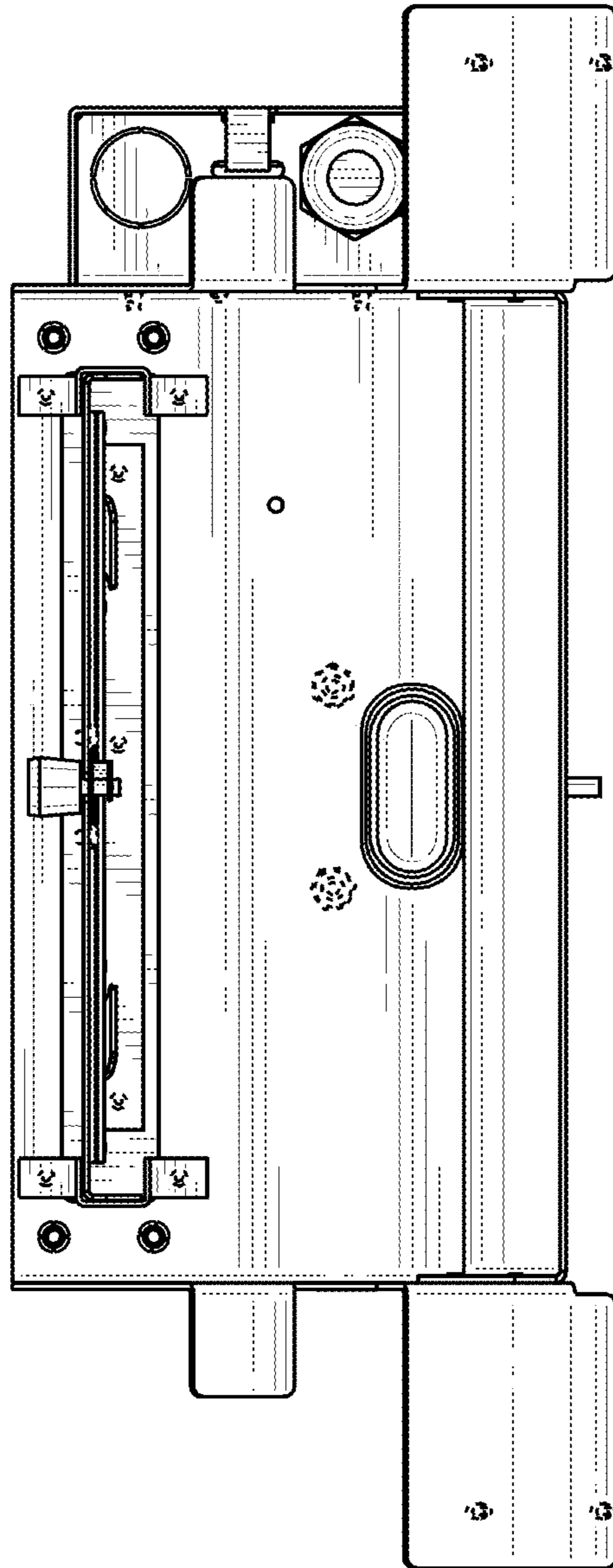


FIG. 4

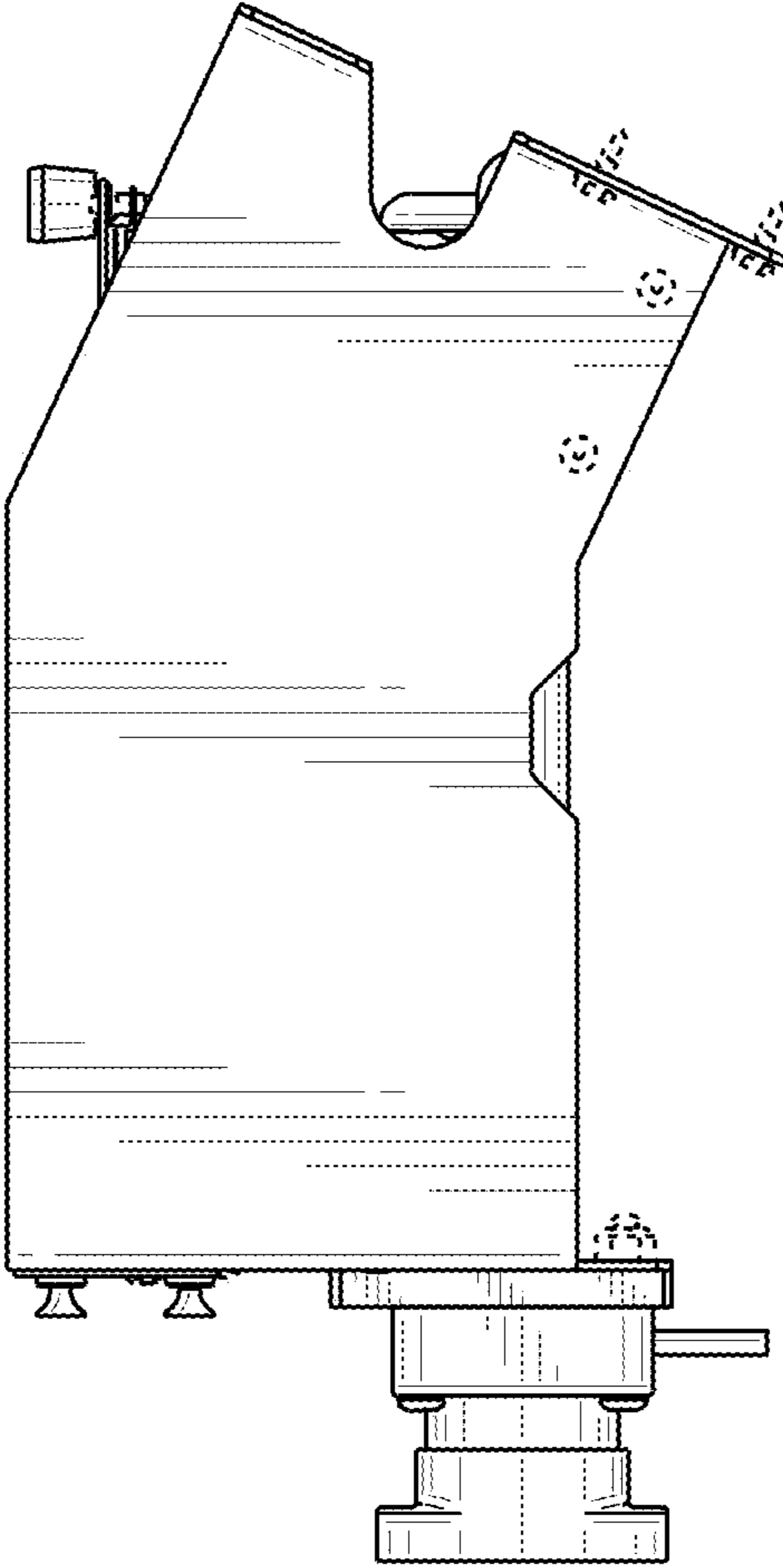


FIG. 5

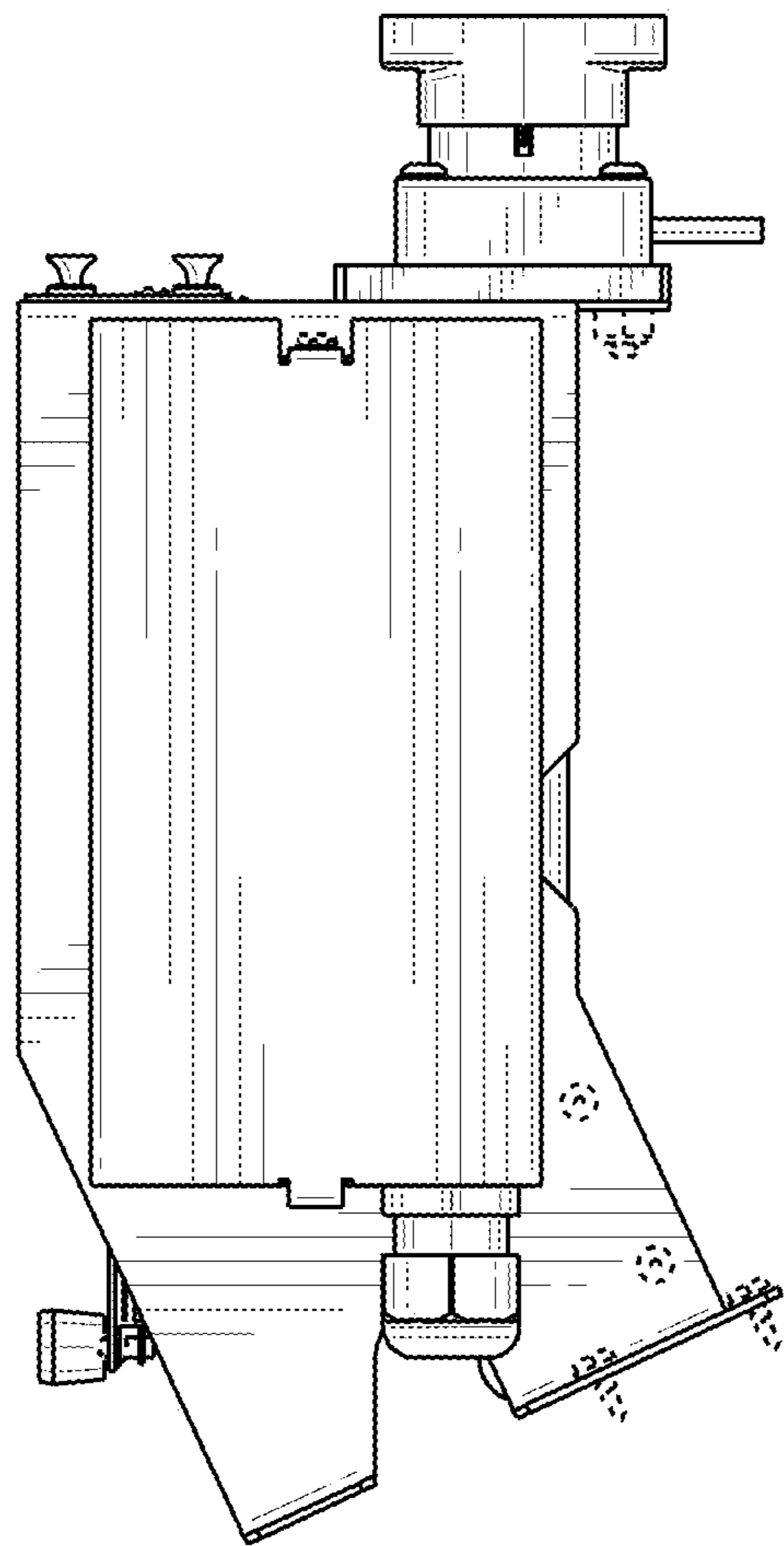


FIG. 6

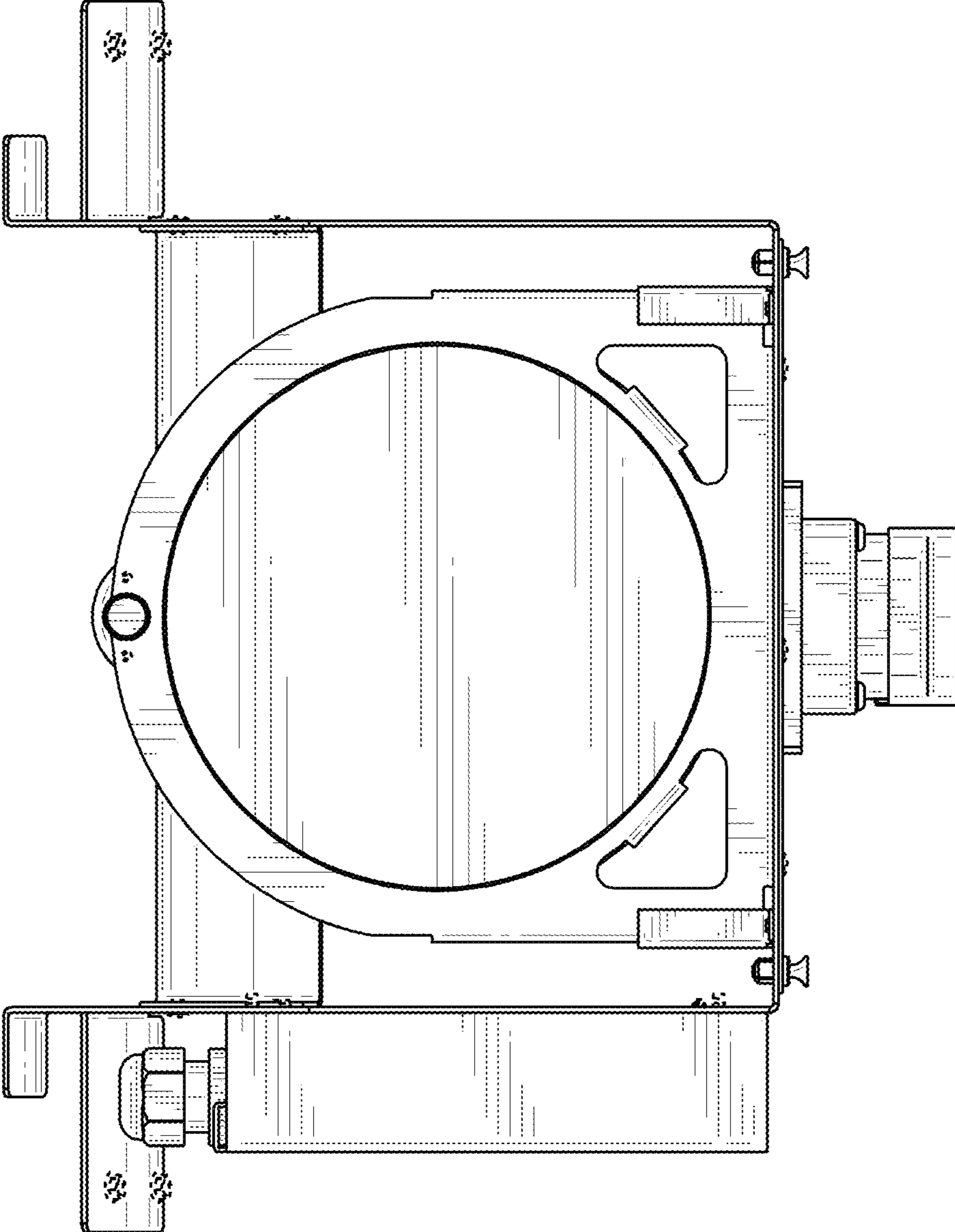


FIG. 7

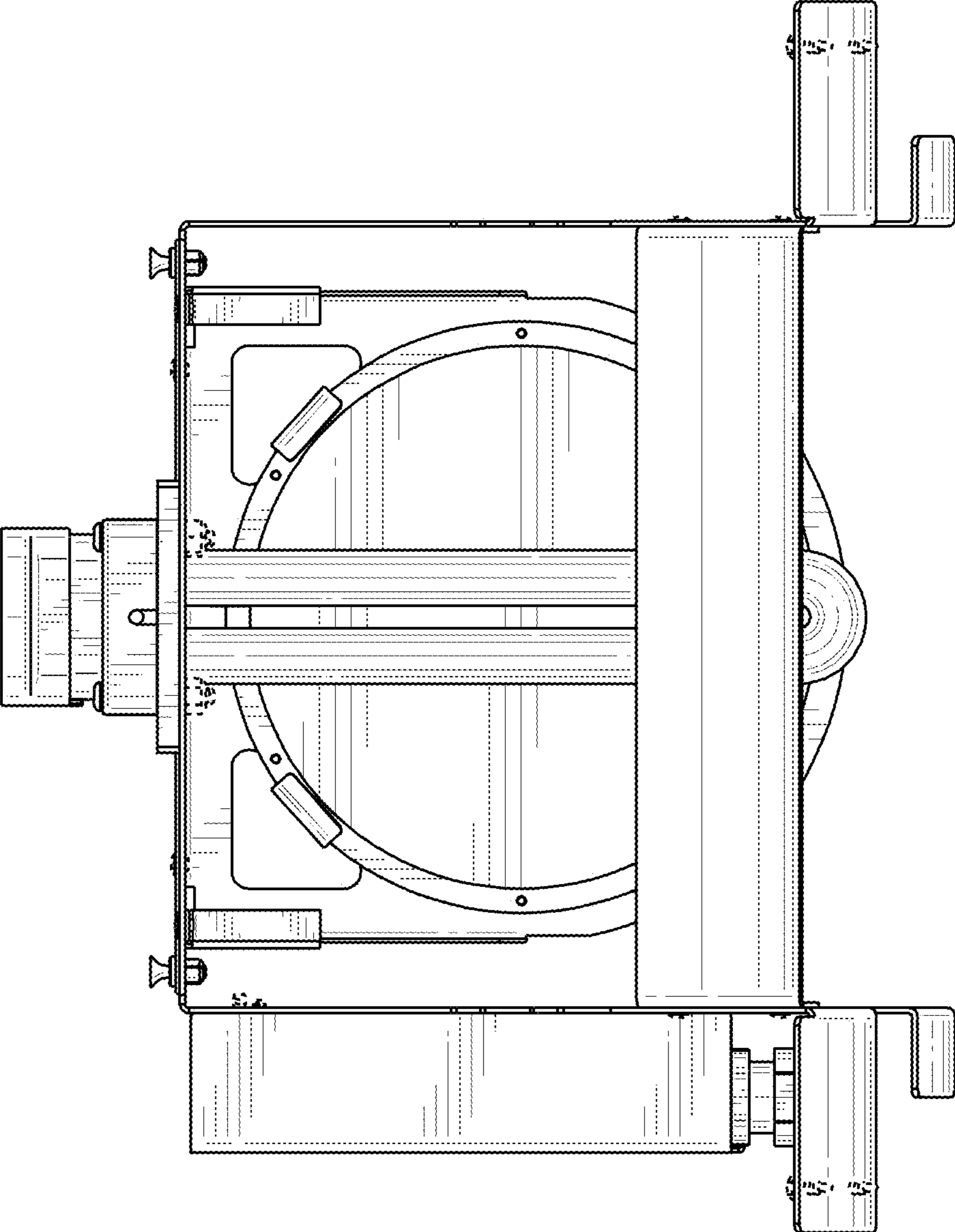


FIG. 8