



US00D943720S

(12) **United States Design Patent** (10) **Patent No.:** **US D943,720 S**  
**Pease et al.** (45) **Date of Patent:** **\*\* Feb. 15, 2022**

(54) **HEATER**

(71) Applicant: **VORNADO AIR, LLC**, Andover, KS (US)  
(72) Inventors: **Gregory Pease**, Andover, KS (US); **Byron Loibl**, Wichita, KS (US); **Brian Cartwright**, Wichita, KS (US); **Cooper Phillips**, Wichita, KS (US); **Samuel Parduhn**, Wichita, KS (US)

(73) Assignee: **Vornado Air, LLC**, Andover, KS (US)

(\*\*) Term: **15 Years**

(21) Appl. No.: **29/748,207**

(22) Filed: **Aug. 27, 2020**

(51) **LOC (13) Cl.** ..... **23-03**

(52) **U.S. Cl.**  
USPC ..... **D23/335**

(58) **Field of Classification Search**  
USPC ..... D23/328, 332, 335-337, 355  
CPC ..... F27D 5/00  
See application file for complete search history.

(56) **References Cited**

**U.S. PATENT DOCUMENTS**

D282,101 S *	1/1986	Yuen	.....	D23/328
D418,591 S *	1/2000	Birdsell	.....	D23/335
D513,068 S *	12/2005	Blateri	.....	D23/335
D626,641 S *	11/2010	Ediger	.....	D23/335
D633,608 S *	3/2011	Shapiro	.....	D23/314
D636,858 S *	4/2011	Ediger	.....	D23/335
D654,578 S *	2/2012	Ediger	.....	D23/342
D804,001 S *	11/2017	Cartwright	.....	D23/355
D822,805 S *	7/2018	Ediger	.....	D23/332
D888,218 S *	6/2020	Wang	.....	D23/370
D895,780 S *	9/2020	Israel	.....	D23/335

**FOREIGN PATENT DOCUMENTS**

CN 306796903 \* 2/2021

**OTHER PUBLICATIONS**

NewAir, Quietheat15B, 1500 Watt Portable Ceramic Space Heater, first available Sep. 23, 2017[online], [site visited Sep. 29, 2021]. Available from internet, URL:<https://www.amazon.com/NewAir-Quietheat15-Portable-Ceramic-Coverage/dp/B075VL5QDH> (Year: 2017).\*

Vornado Velocity 1 Personal Space Heater, unavailable date[online], [site visited Sep. 29, 2021]. Available from internet, URL:<https://www.amazon.com/Vornado-Velocity-Humidifier-Notification-Capacity/dp/B08B44MWW8> (Year: 2021).\*

\* cited by examiner

*Primary Examiner* — Barbara Fox

*Assistant Examiner* — Jamaal Rasheed

(74) *Attorney, Agent, or Firm* — Avyno Law P.C.

(57) **CLAIM**

We claim the ornamental design for a heater, as shown and described.

**DESCRIPTION**

FIG. 1 is a front perspective view of a heater of the present invention.

FIG. 2 is a rear perspective view of a heater of the present invention.

FIG. 3 is a front elevation view of the heater of FIG. 1.

FIG. 4 is a rear elevation view of the heater of FIG. 1.

FIG. 5 is a side elevation view of the right side of the heater of FIG. 1.

FIG. 6 is a side elevation view of the left side of the heater of FIG. 1.

FIG. 7 is a top plan view of the heater of FIG. 1; and,

FIG. 8 is a bottom plan view of the heater of FIG. 1.

In the drawings, the broken lines depict portions of the heater that form no part of the claimed design.

**1 Claim, 8 Drawing Sheets**

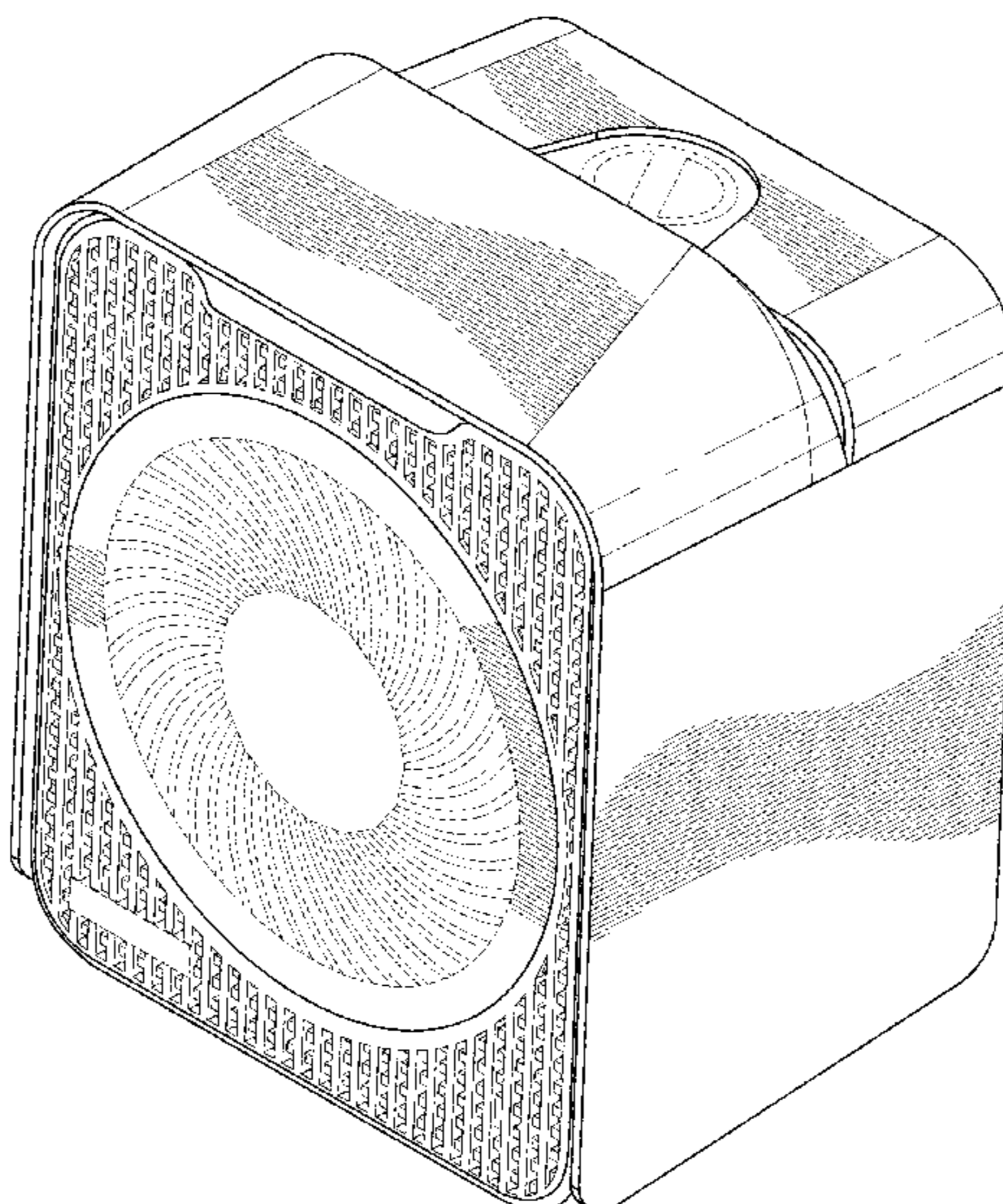
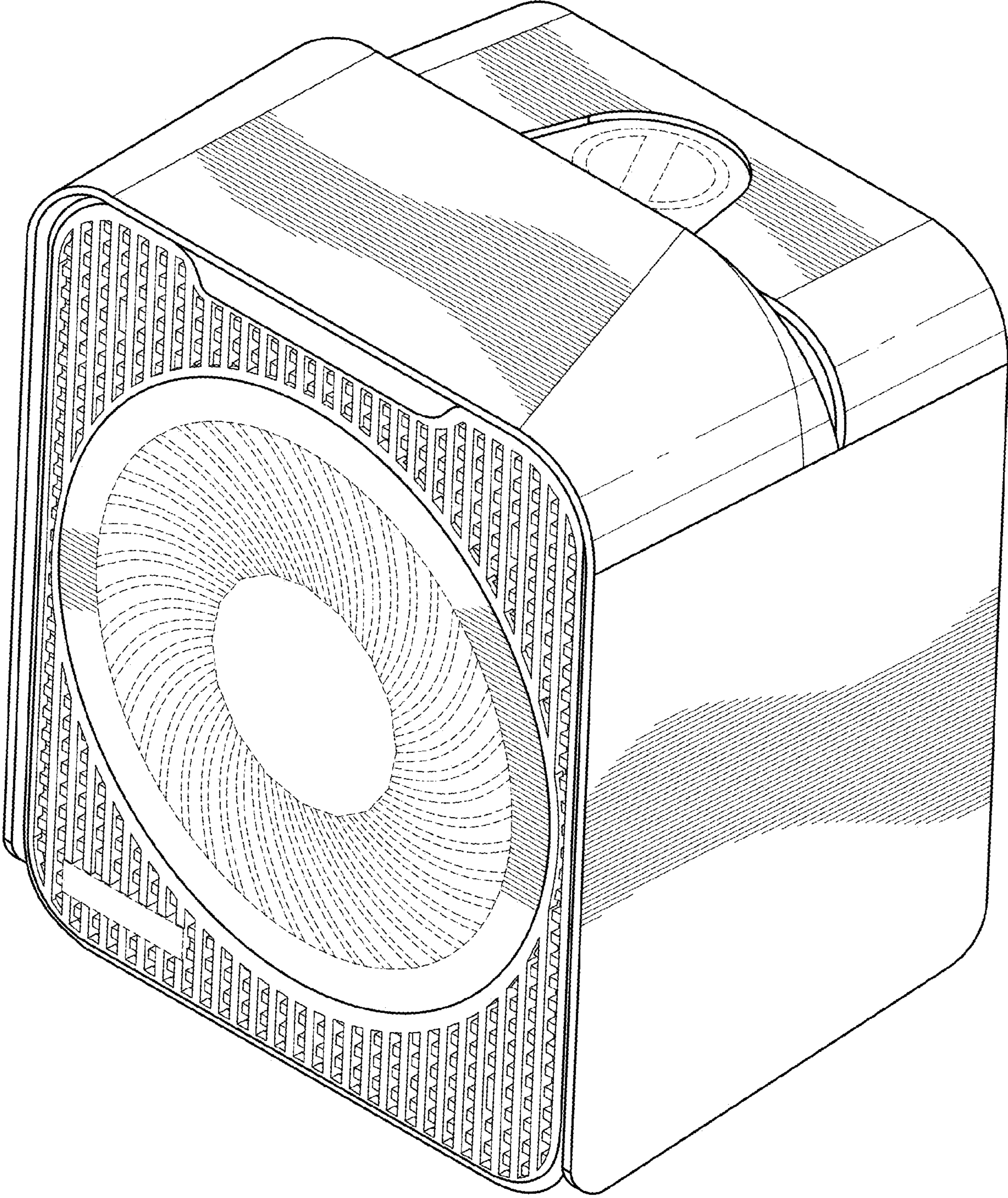
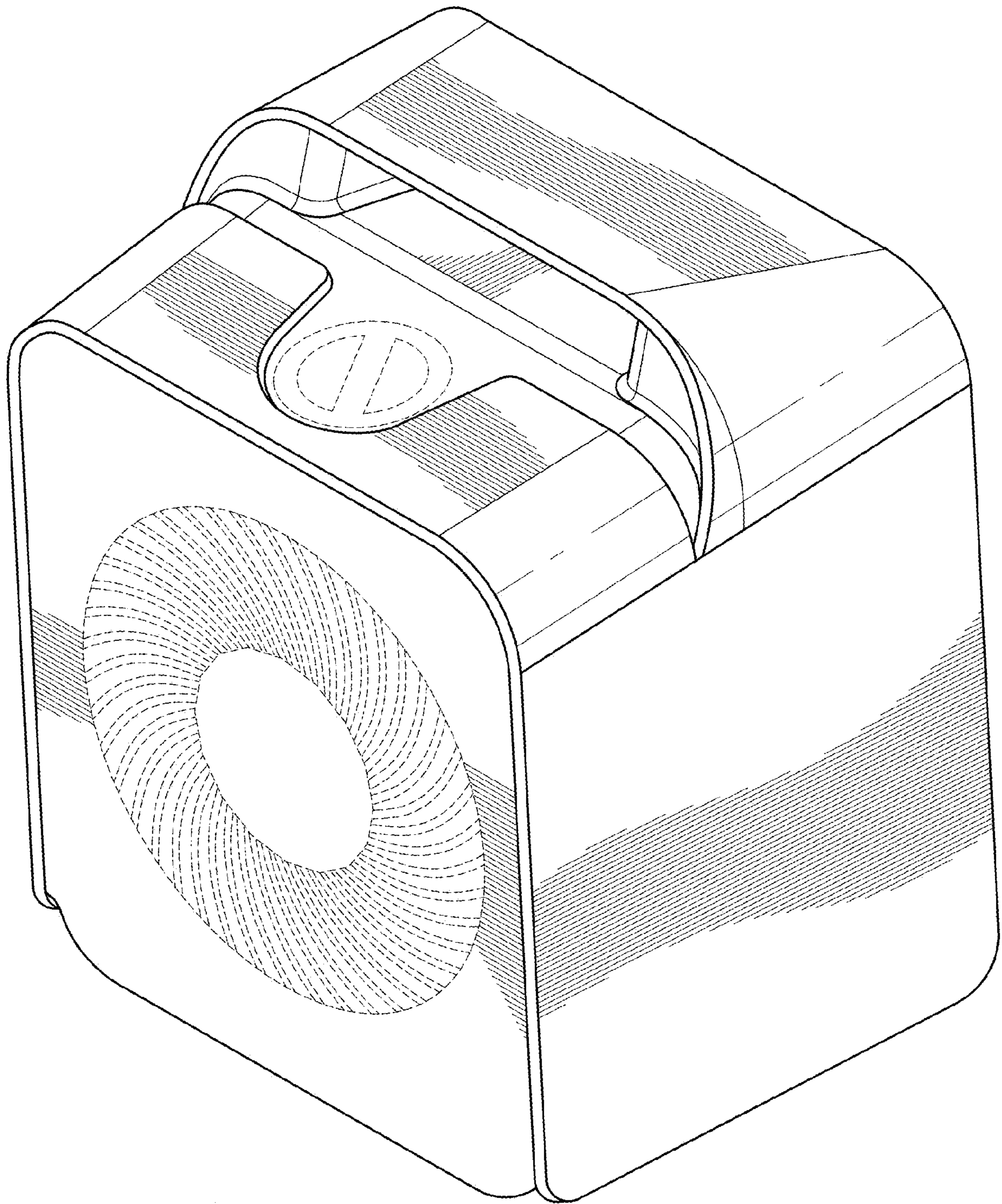
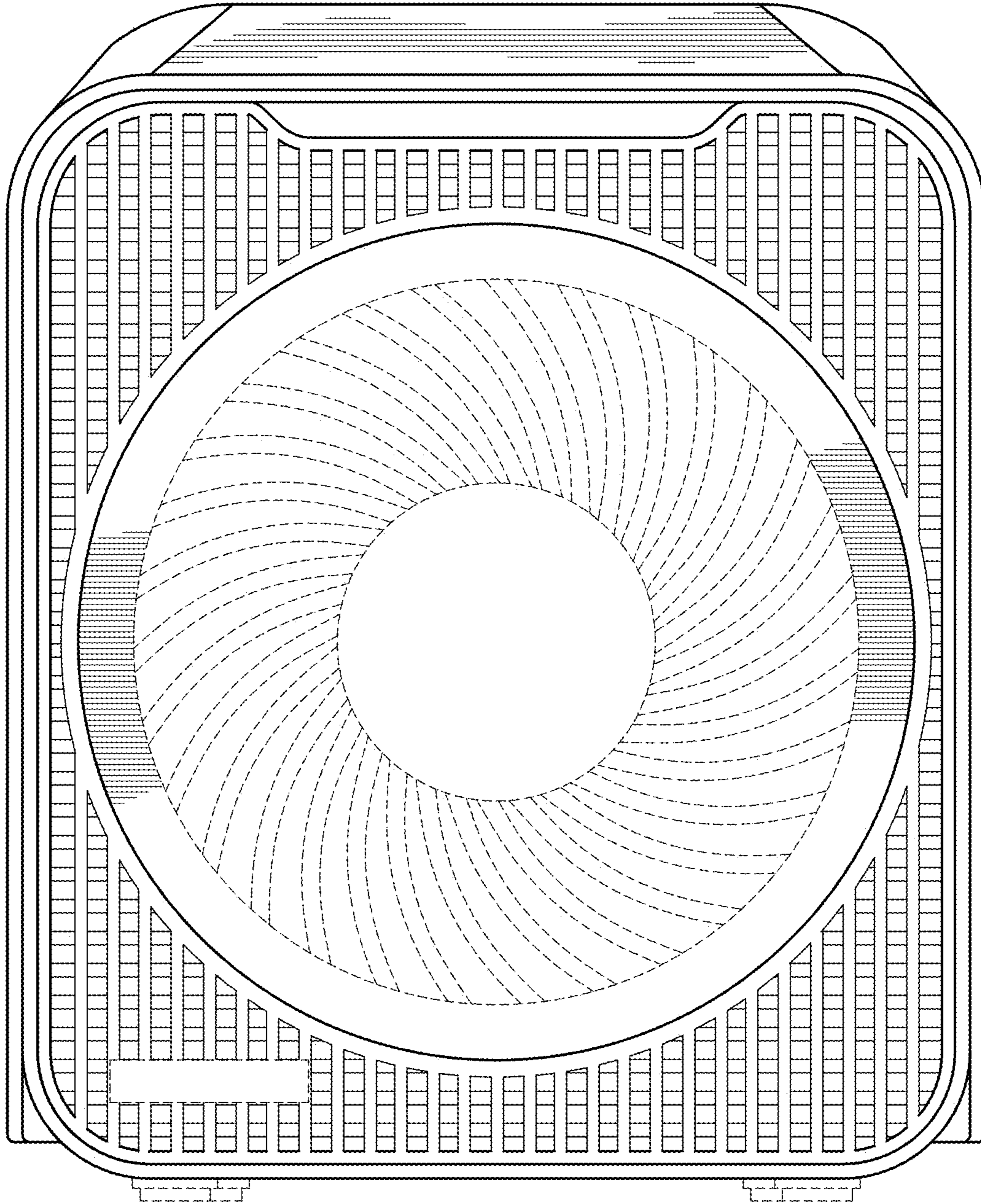


FIG. 1





*FIG. 2*



*FIG. 3*

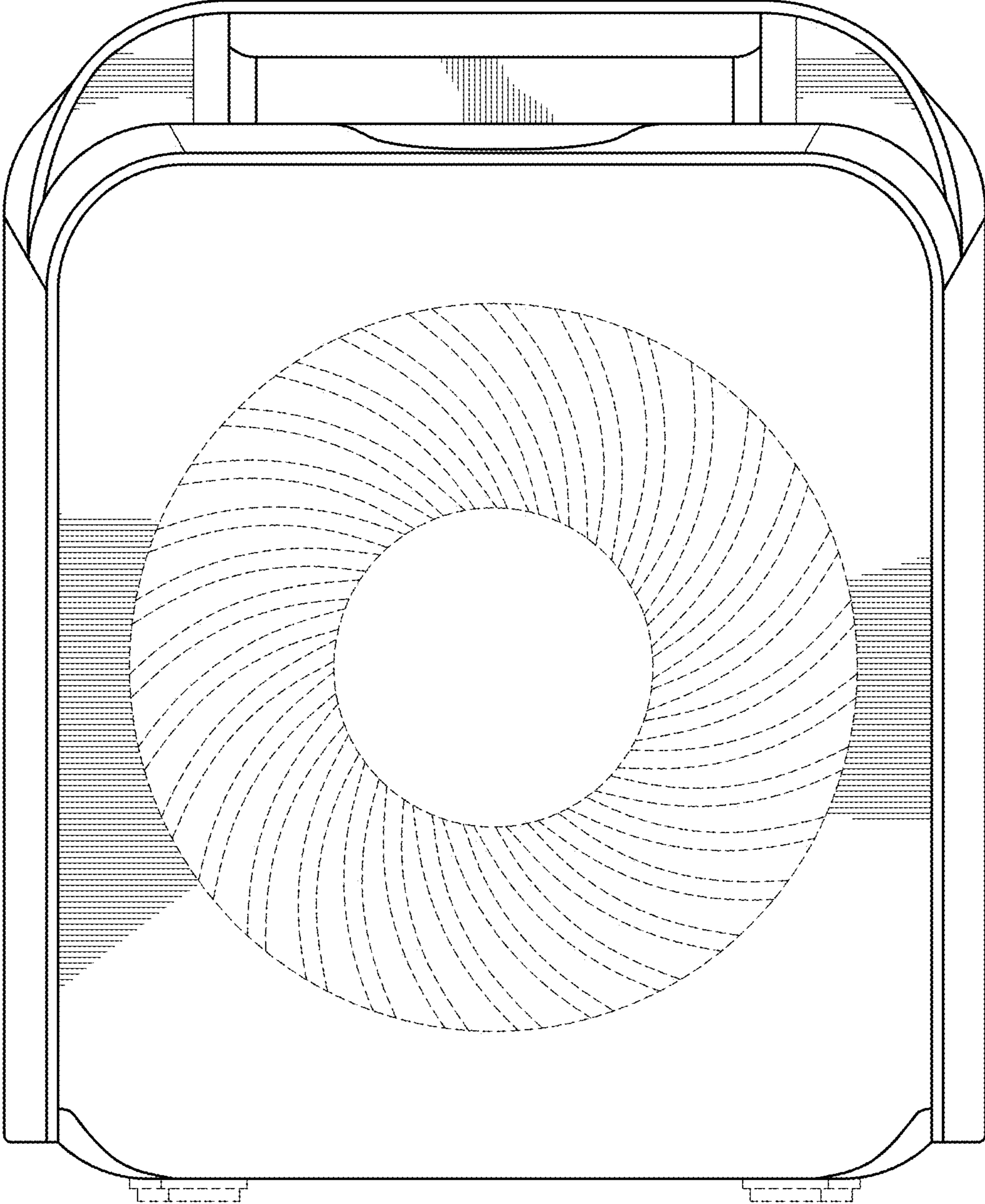
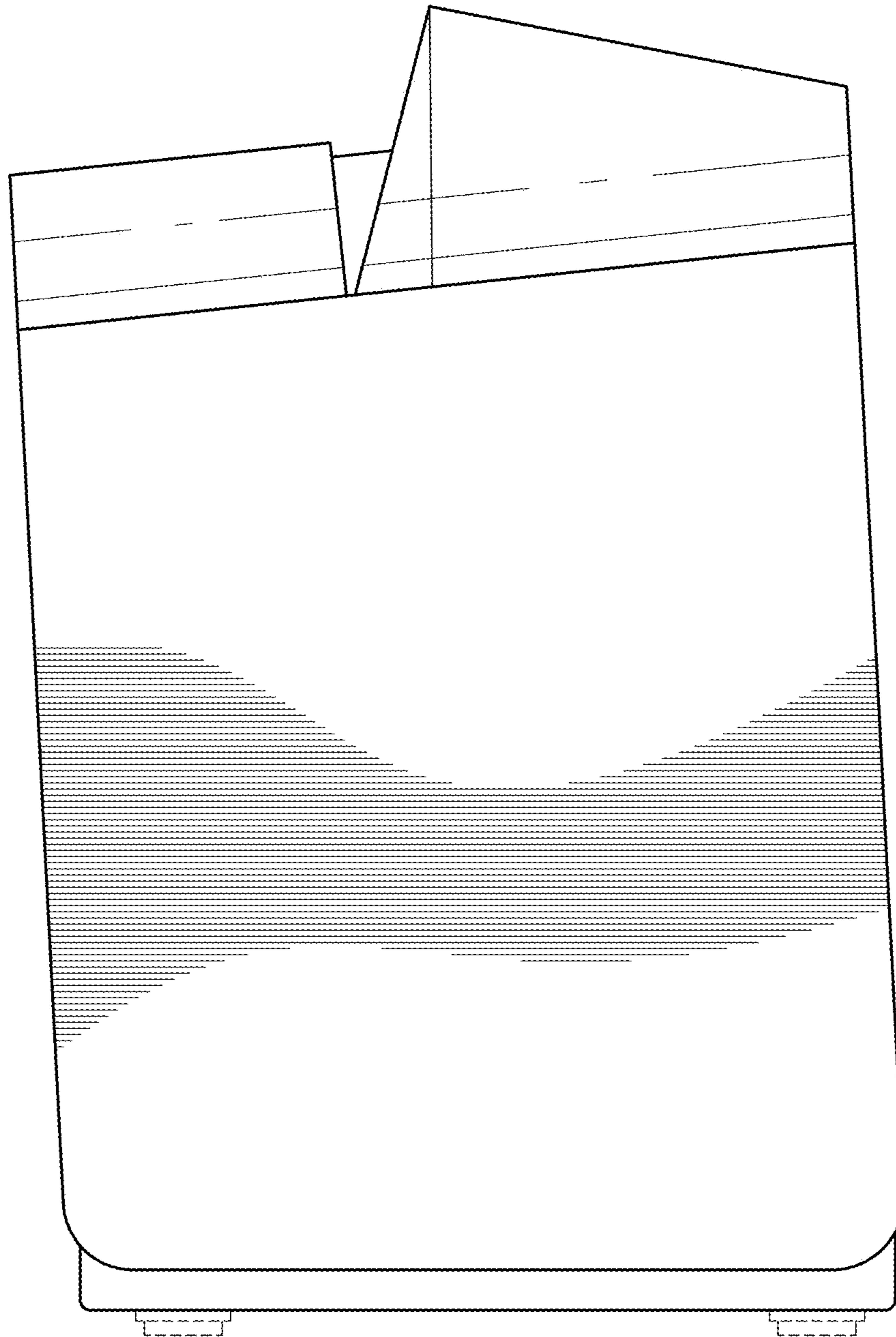
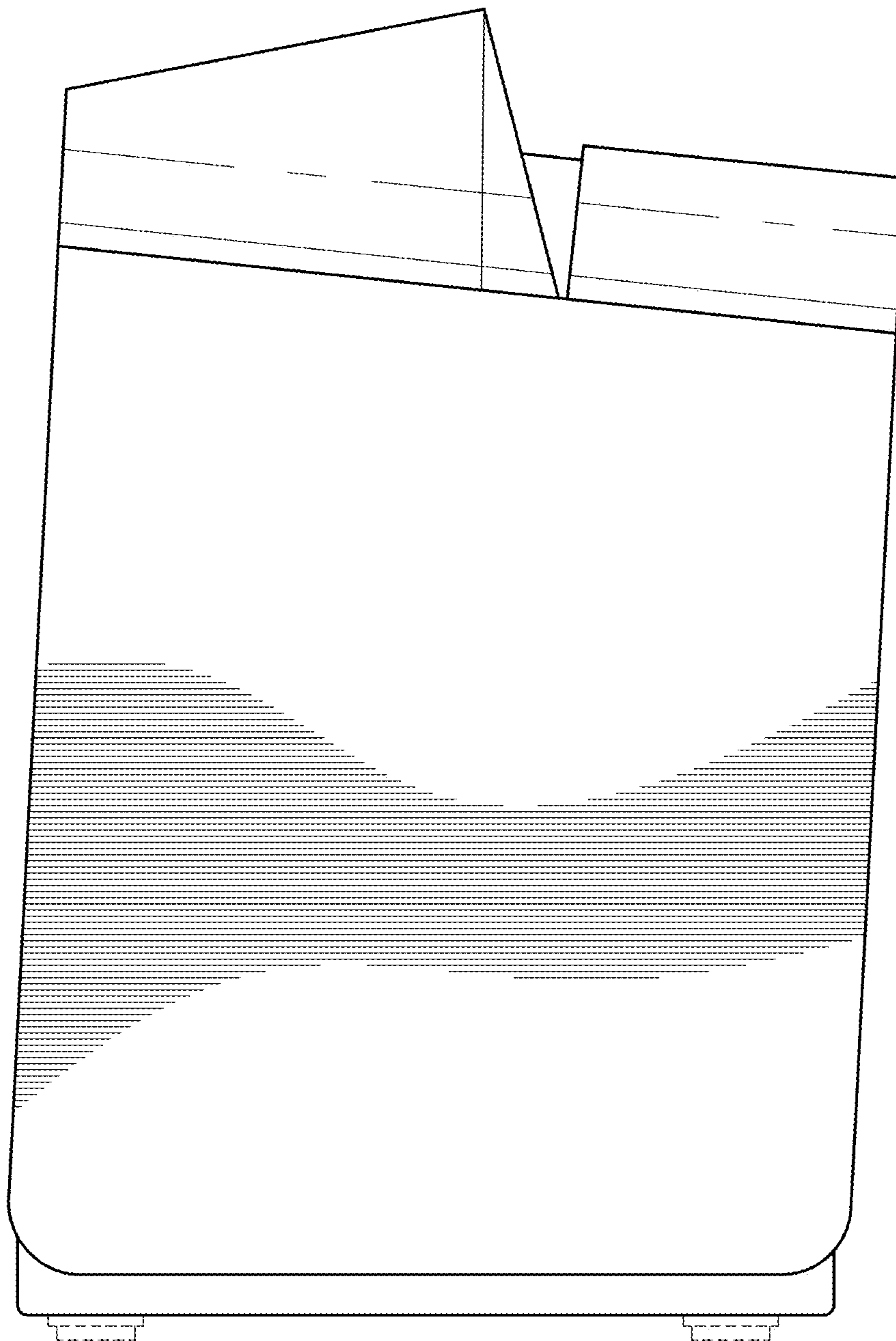


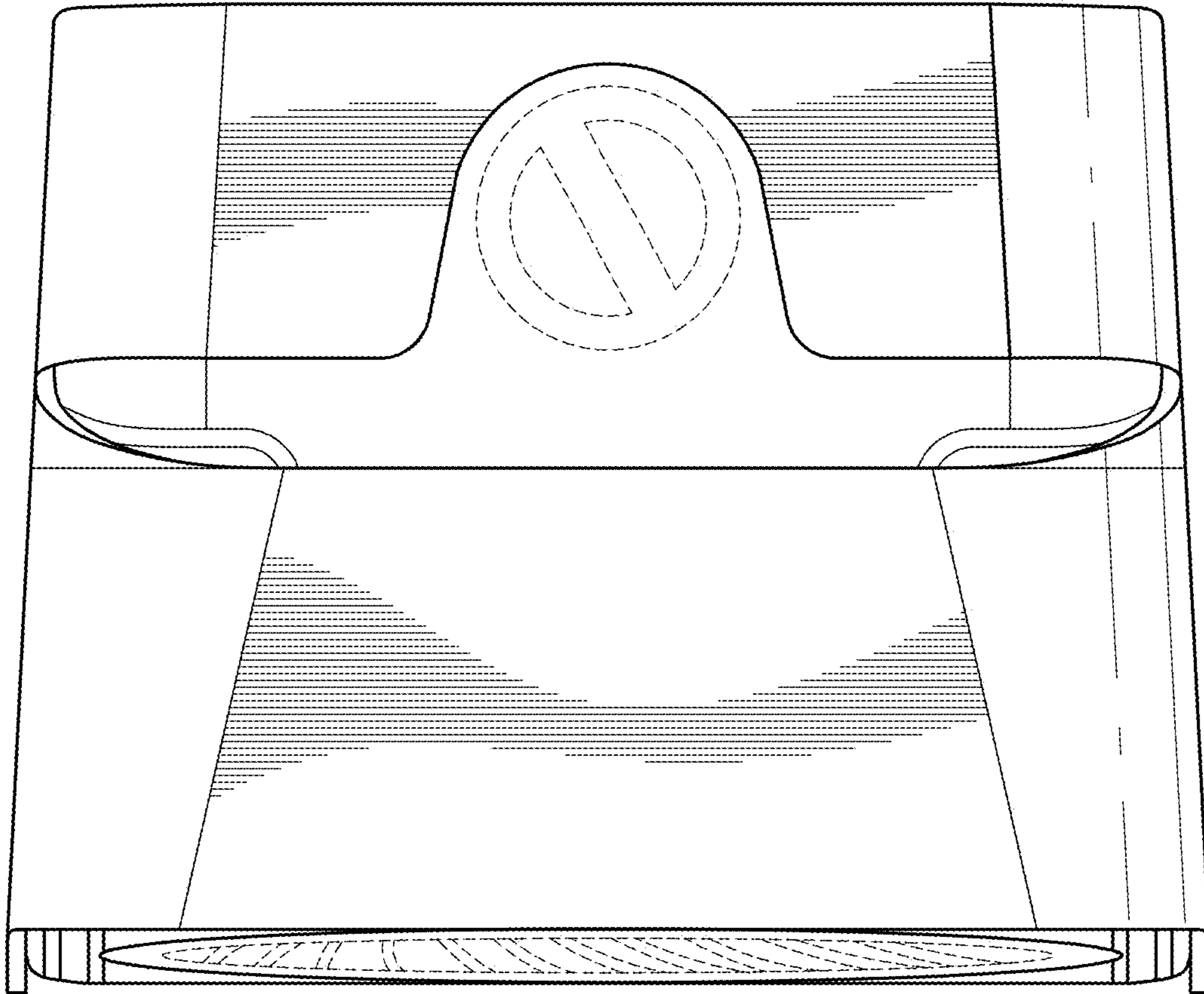
FIG. 4



*FIG. 5*

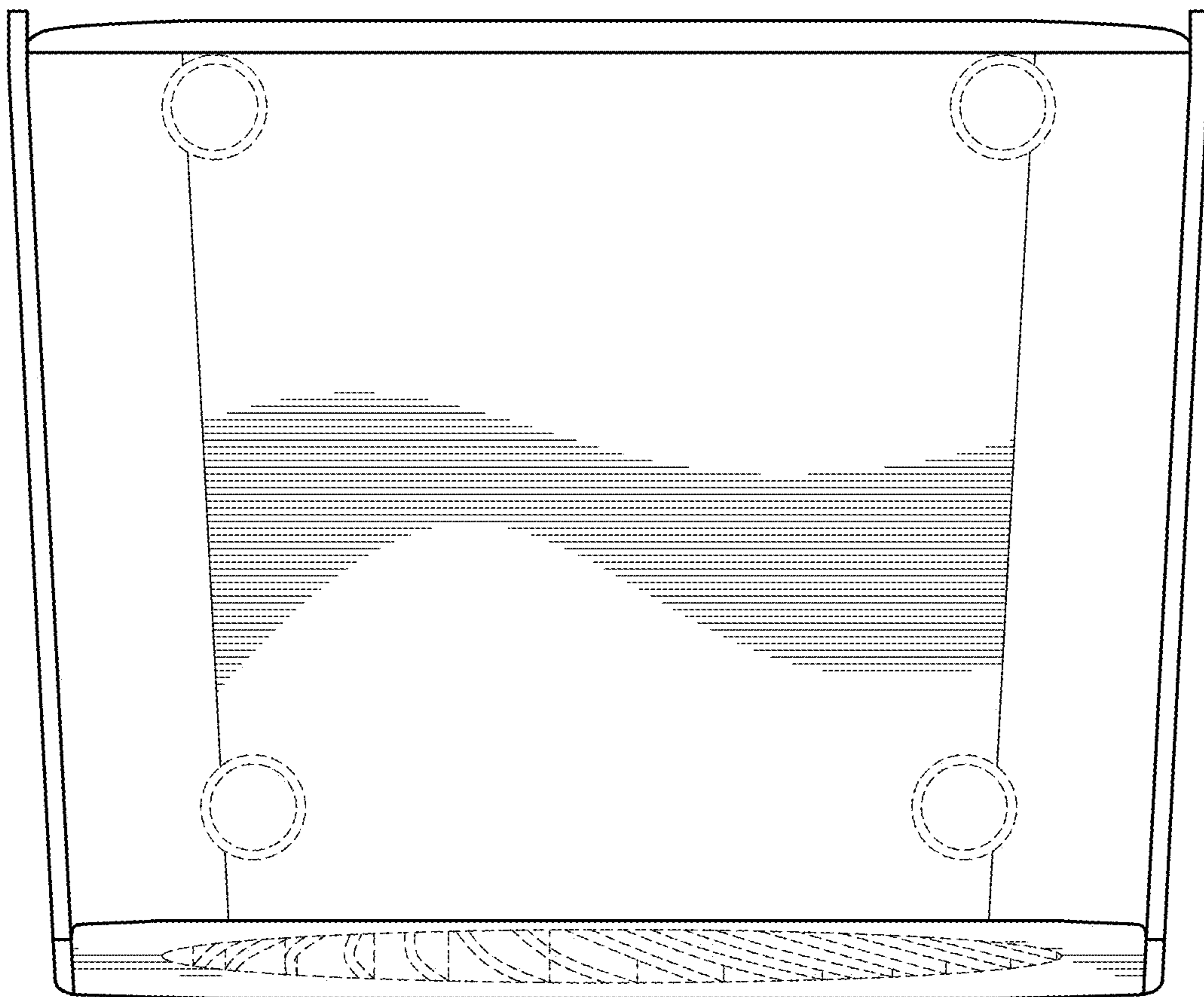


*FIG. 6*



*FIG. 7*





*FIG. 8*