



US00D943716S

(12) **United States Design Patent** (10) **Patent No.:** **US D943,716 S**  
**Haas et al.** (45) **Date of Patent:** **\*\* Feb. 15, 2022**

- (54) **LAVATORY BASIN**
- (71) Applicant: **Bradley Corporation**, Menomonee Falls, WI (US)
- (72) Inventors: **William L. Haas**, Richfield, WI (US); **Scott Thorne**, Chicago, IL (US); **Holly Prouty**, Seattle, WI (US); **Hyunchul Kim**, Chicago, IL (US); **Cassandra Schneider**, Oconomowoc, WI (US)
- (73) Assignee: **Bradley Corporation**, Menomonee Falls, WI (US)
- (\*\*) Term: **15 Years**
- (21) Appl. No.: **29/757,256**
- (22) Filed: **Nov. 4, 2020**

D823,445 S *	7/2018	Adkison	.....	D23/290
10,041,236 B2 *	8/2018	Loberger	.....	E03C 1/0404
D865,923 S *	11/2019	Wieser	.....	D23/284
D869,622 S *	12/2019	Streng	.....	D23/290
D913,457 S *	3/2021	Haas	.....	D23/290

**OTHER PUBLICATIONS**

Zurn Industries, LLC, The Sundara Handwashing System brochure; 20 pages.

\* cited by examiner

*Primary Examiner* — John A Voytek

(74) *Attorney, Agent, or Firm* — Boyle Fredrickson, S.C.

(57) **CLAIM**

The ornamental design for a lavatory basin, substantially as shown and described.

**DESCRIPTION**

FIG. 1 is a front, raised perspective view of a lavatory basin according to the invention;  
 FIG. 2 is a front view of the lavatory basin according to FIG. 1;  
 FIG. 3 is a rear view of the lavatory basin according to FIG. 1;  
 FIG. 4 is top view of the lavatory basin according to FIG. 1;  
 FIG. 5 is a bottom view of the lavatory basin according to FIG. 1;  
 FIG. 6 is a right side view of the lavatory basin according to FIG. 1; and,  
 FIG. 7 is a left side view of the lavatory basin according to FIG. 1.

The broken lines shown in the drawings form no part of the claimed design. The surface shading illustrated in the drawings is provided merely to highlight the contour of the design and is not part of the claimed design. All surfaces not shown form no part of the claimed design.

**1 Claim, 4 Drawing Sheets**

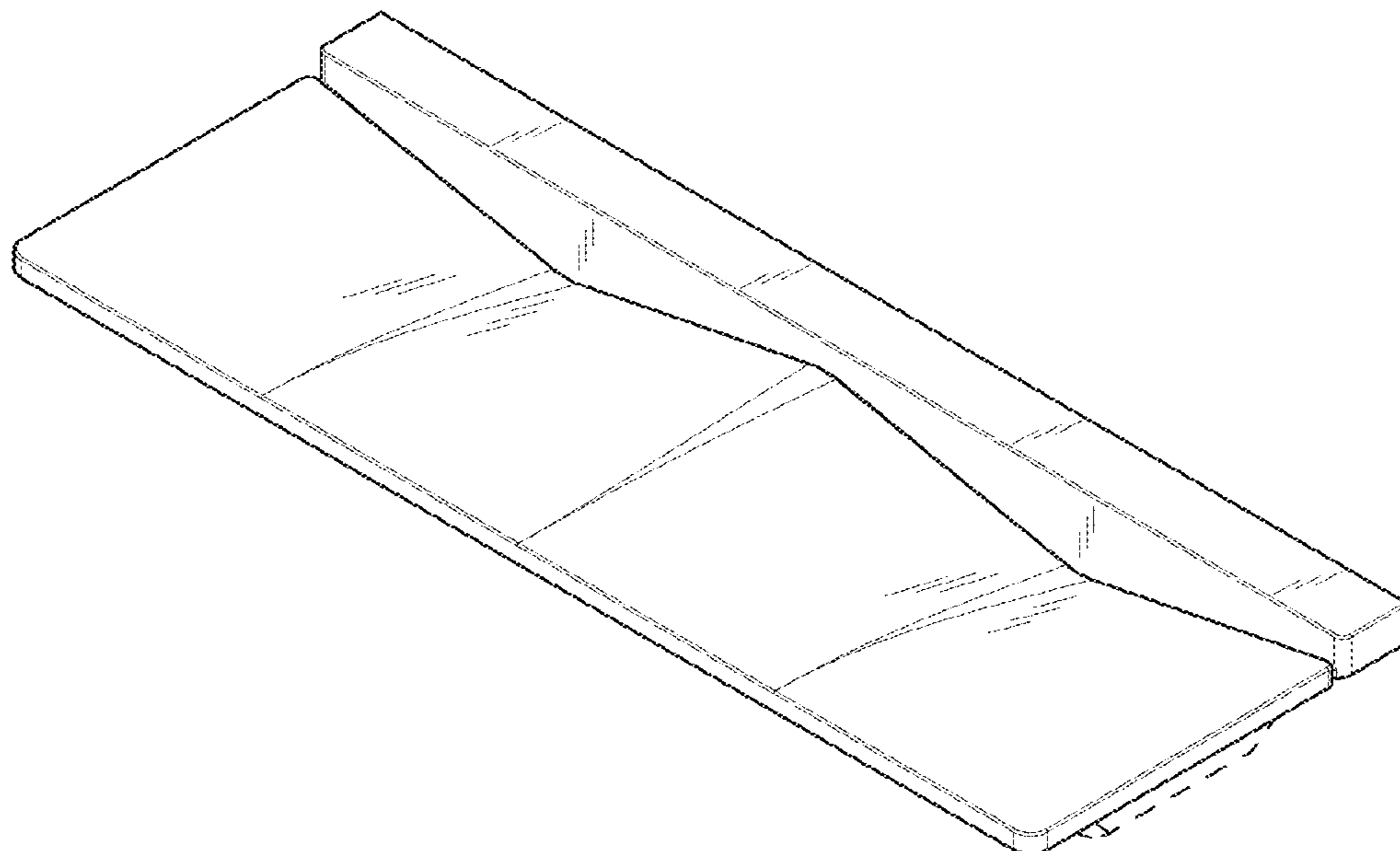
**Related U.S. Application Data**

- (62) Division of application No. 29/624,787, filed on Nov. 3, 2017, now Pat. No. Des. 913,457.
- (51) **LOC (13) Cl.** ..... **23-02**
- (52) **U.S. Cl.**  
USPC ..... **D23/290**
- (58) **Field of Classification Search**  
USPC ..... D23/284, 293.1, 287–292, 303, 308  
CPC ..... A47K 1/04; A47B 77/06; A47J 47/20  
See application file for complete search history.

(56) **References Cited**

**U.S. PATENT DOCUMENTS**

D687,530 S	8/2013	McGuire et al.	
D691,248 S	10/2013	McGuire et al.	
D721,426 S *	1/2015	Bartlett	..... D23/290
D735,837 S	8/2015	Bartlett et al.	
9,157,223 B2	10/2015	Kempen et al.	
D813,996 S *	3/2018	Wieser	..... D23/284



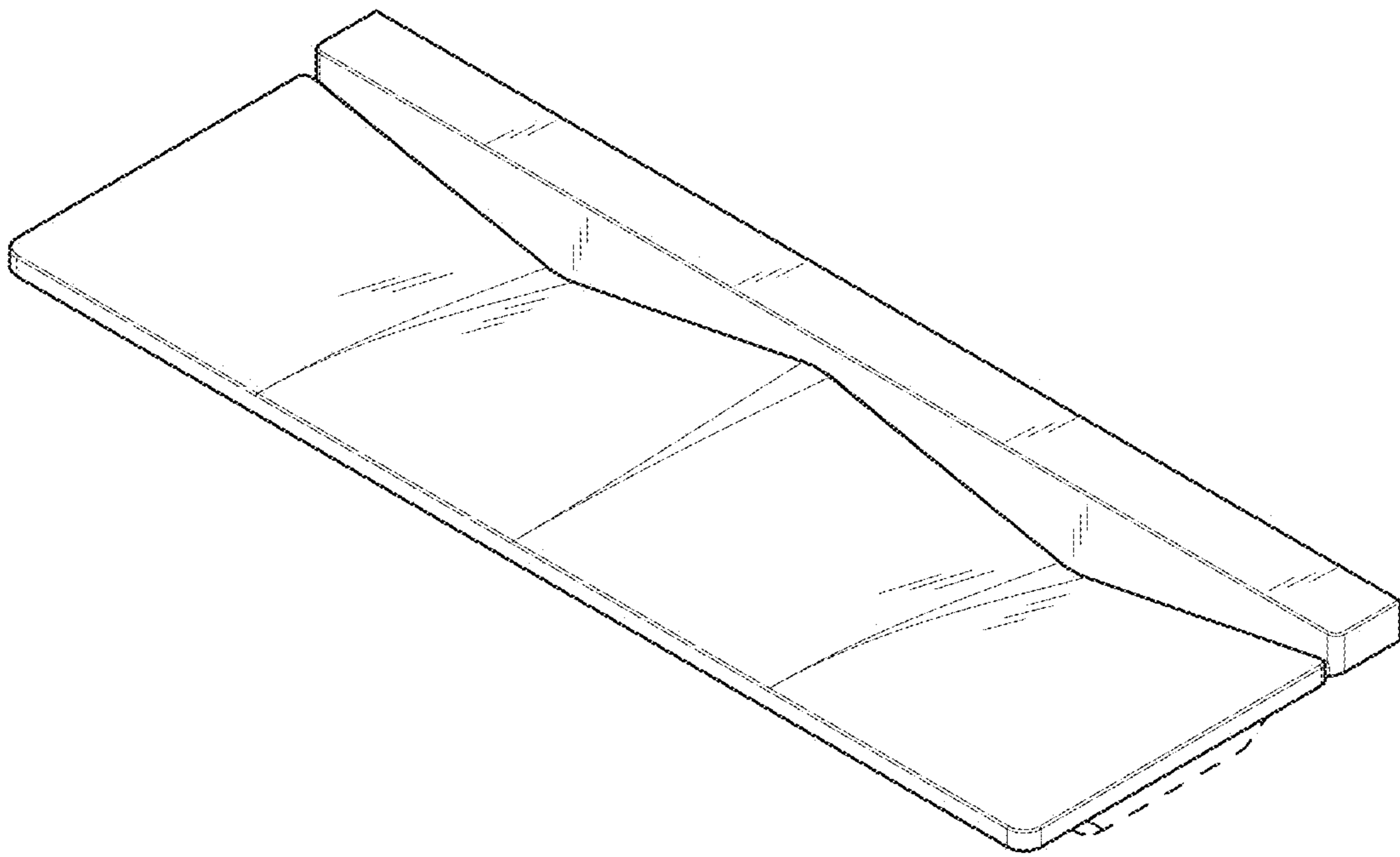


Fig. 1

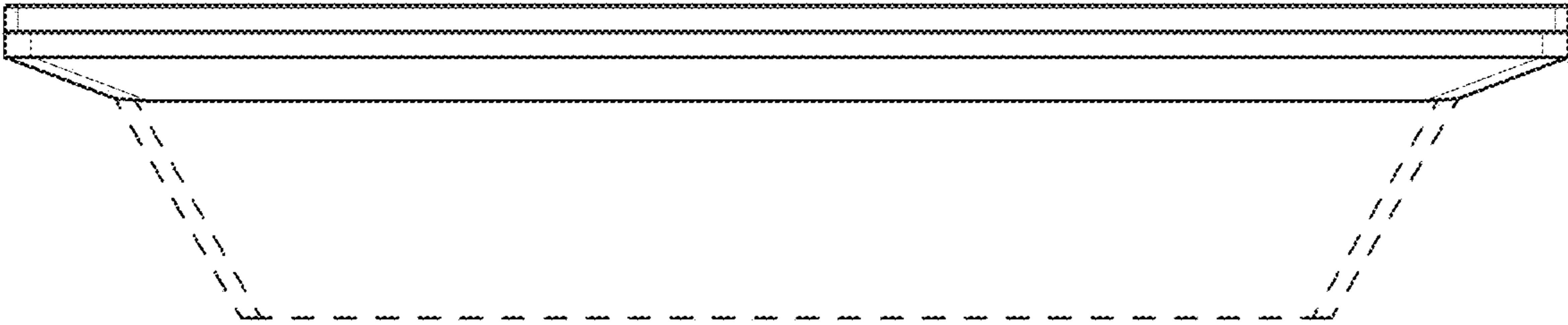


Fig. 2



Fig. 3

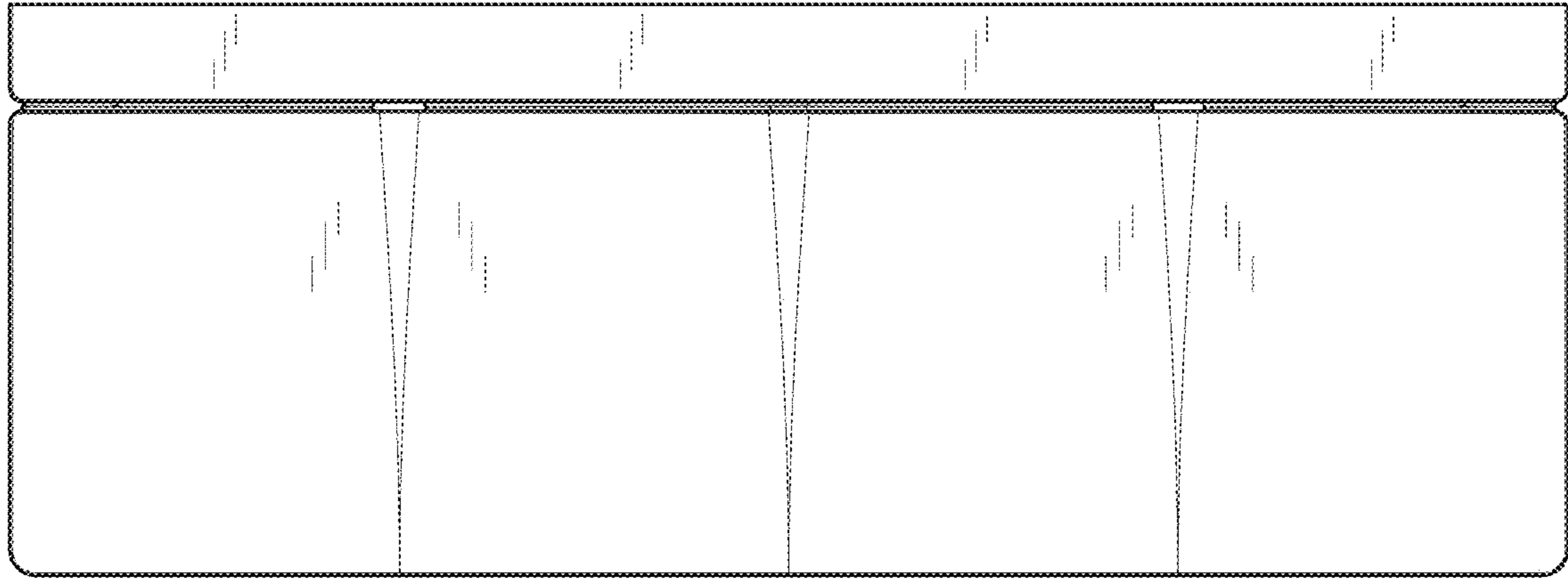


Fig. 4

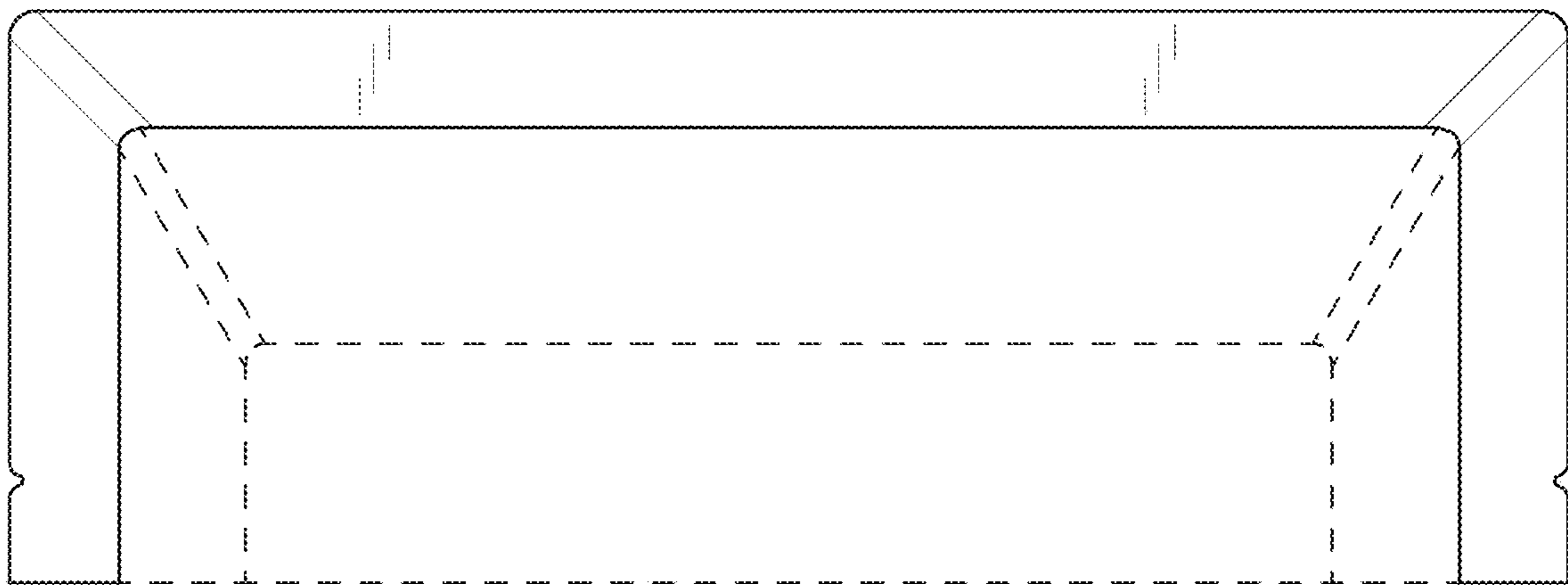


Fig. 5

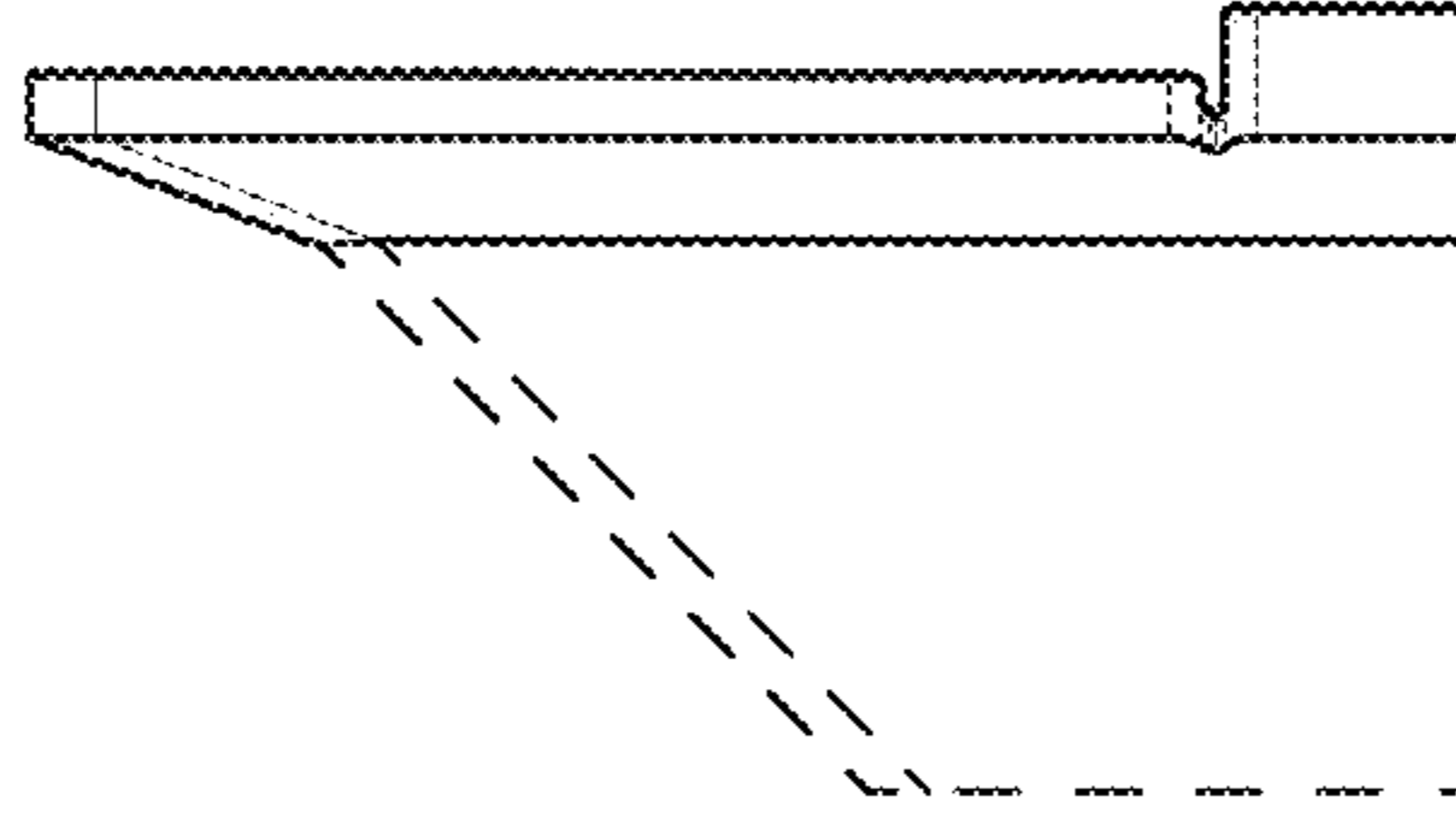


Fig. 6

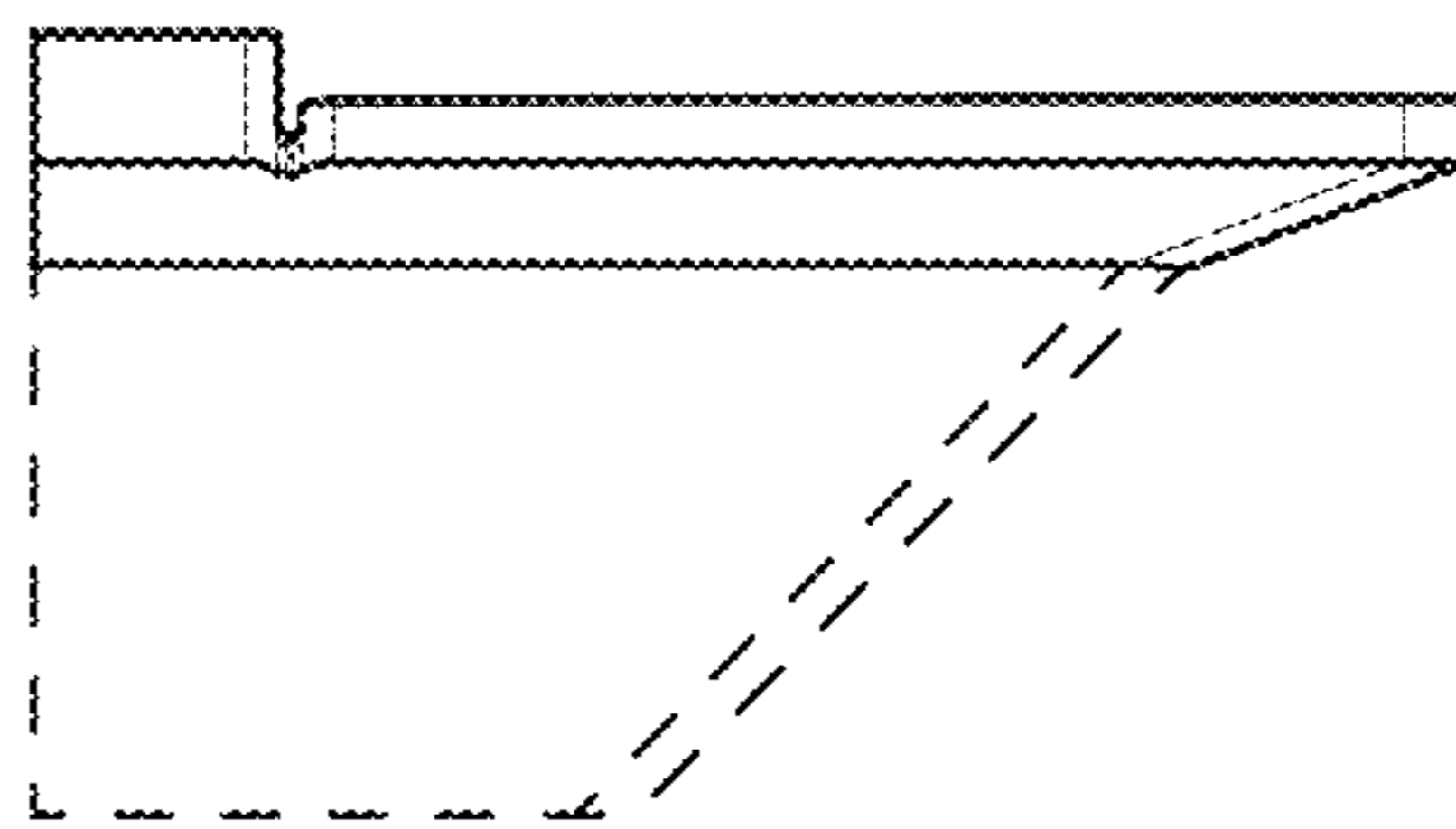


Fig. 7