



US00D943715S

(12) **United States Design Patent**
Kwak et al.

(10) **Patent No.:** **US D943,715 S**

(45) **Date of Patent:** **** Feb. 15, 2022**

(54) **PIPE CONNECTOR**

(71) Applicant: **ESSEN TECH CO., LTD.**, Gunsan-si (KR)

(72) Inventors: **Ji Ho Kwak**, Suwon-si (KR); **Jung Hoon Choi**, Incheon (KR); **Ha Yeong Seong**, Incheon (KR); **Sang In Jang**, Incheon (KR)

(73) Assignee: **ESSEN TECH CO., LTD.**, Gunsan-si (KR)

(**) Term: **15 Years**

(21) Appl. No.: **29/721,659**

(22) Filed: **Jan. 22, 2020**

(30) **Foreign Application Priority Data**

Jul. 29, 2019 (KR) 30-2019-0036210

(51) **LOC (13) Cl.** **23-01**

(52) **U.S. Cl.**
USPC **D23/263**

(58) **Field of Classification Search**
USPC D23/233, 249, 259, 262, 263–266, 393;
D32/31; 285/5, 7, 272–273, 127.1, 133.4,
285/148.22, 190, 239, 334.5; 251/148;
138/DIG. 4
CPC . F16L 57/07; F16L 3/003; F16L 25/14; F16L
43/00; F16L 9/18
See application file for complete search history.

(56) **References Cited**

U.S. PATENT DOCUMENTS

D291,481 S * 8/1987 Vassallo D23/263
D517,666 S * 3/2006 Wilk, Jr. D23/262
D676,941 S * 2/2013 Kluss D23/262
D729,909 S * 5/2015 Castrigno D23/263

D731,627 S * 6/2015 Guest D23/262
D739,508 S * 9/2015 Menno D23/263
D741,458 S * 10/2015 Guest D23/262
D746,958 S * 1/2016 Gledhill D23/262
D751,675 S * 3/2016 Gledhill D23/259
D796,010 S * 8/2017 Downie D23/263
D835,245 S * 12/2018 Salehi-Bakhtiari D23/263
D886,250 S * 6/2020 Ji Ho D23/263
2016/0305583 A1* 10/2016 Conrad F16L 13/116

* cited by examiner

Primary Examiner — Amy C Wierenga

(74) *Attorney, Agent, or Firm* — Rabin & Berdo, P.C.

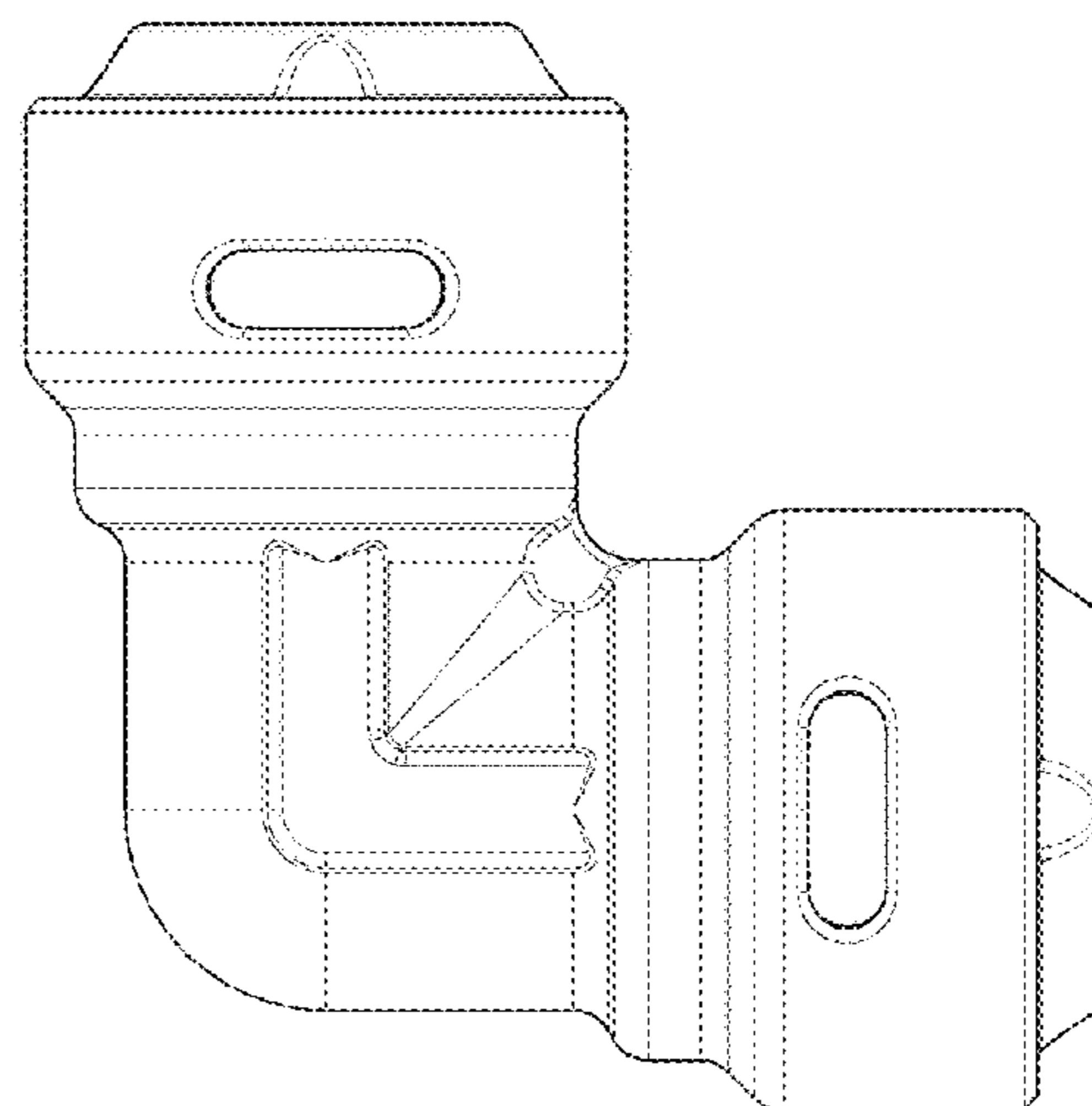
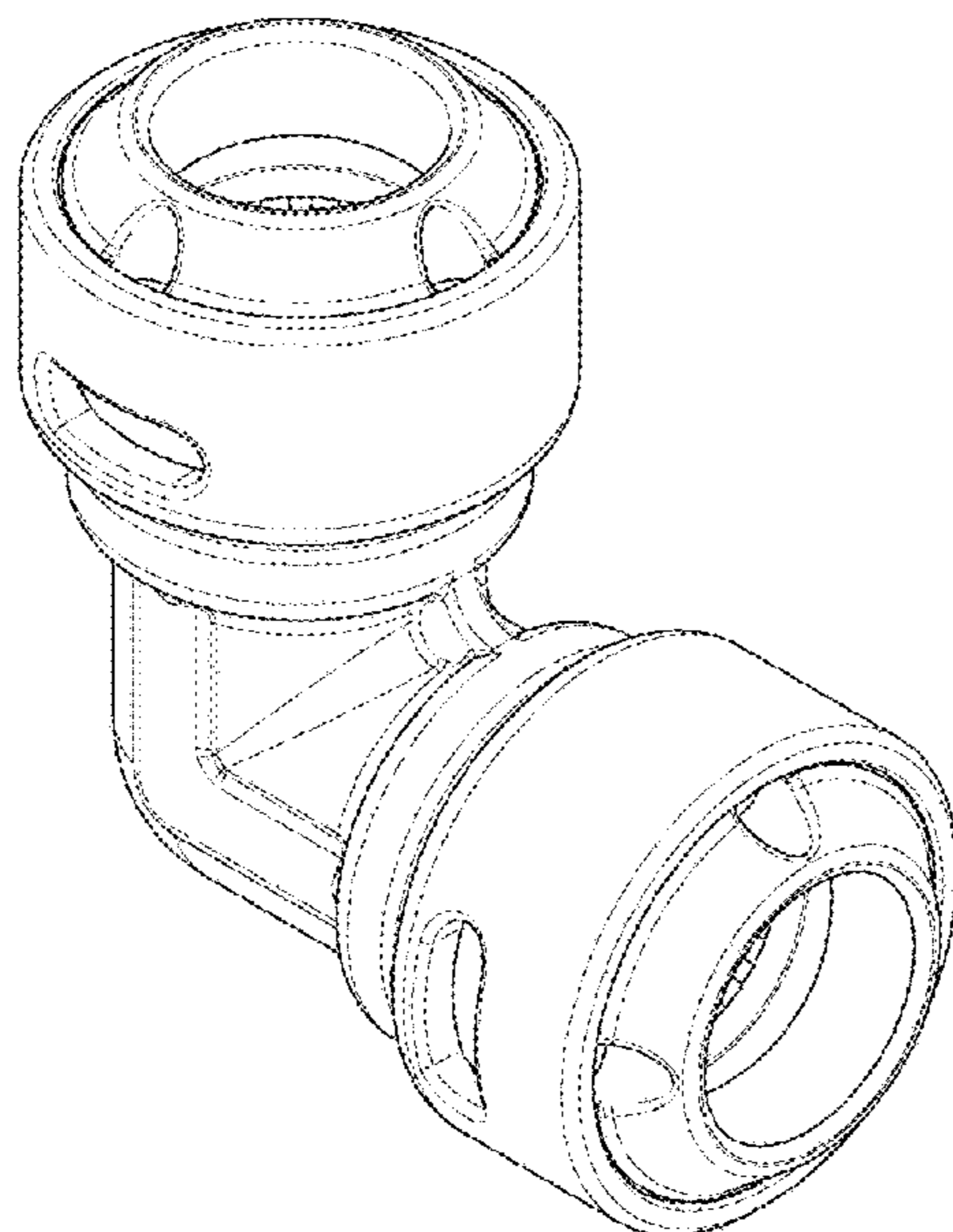
(57) **CLAIM**

The ornamental design for a pipe connector, as shown and described.

DESCRIPTION

FIG. 1 is a perspective view of a pipe connector;
FIG. 2 is a front view thereof;
FIG. 3 is a rear view thereof;
FIG. 4 is a left side view thereof;
FIG. 5 is a right side view thereof;
FIG. 6 is a top view thereof;
FIG. 7 is a bottom view thereof; and,
FIG. 8 is a cross-sectional view thereof, taken along line 8-8 in FIG. 5.

1 Claim, 6 Drawing Sheets



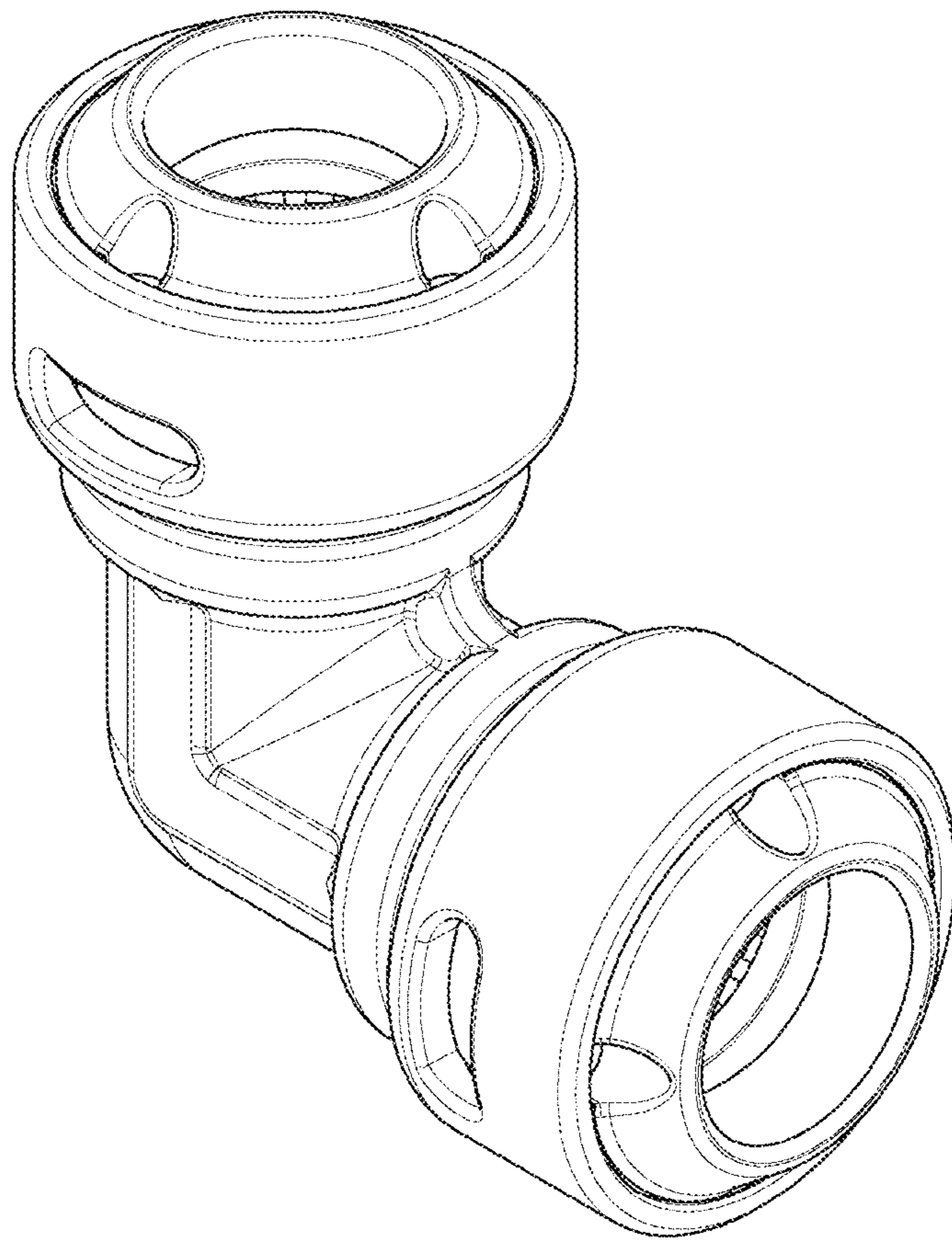


FIG. 1

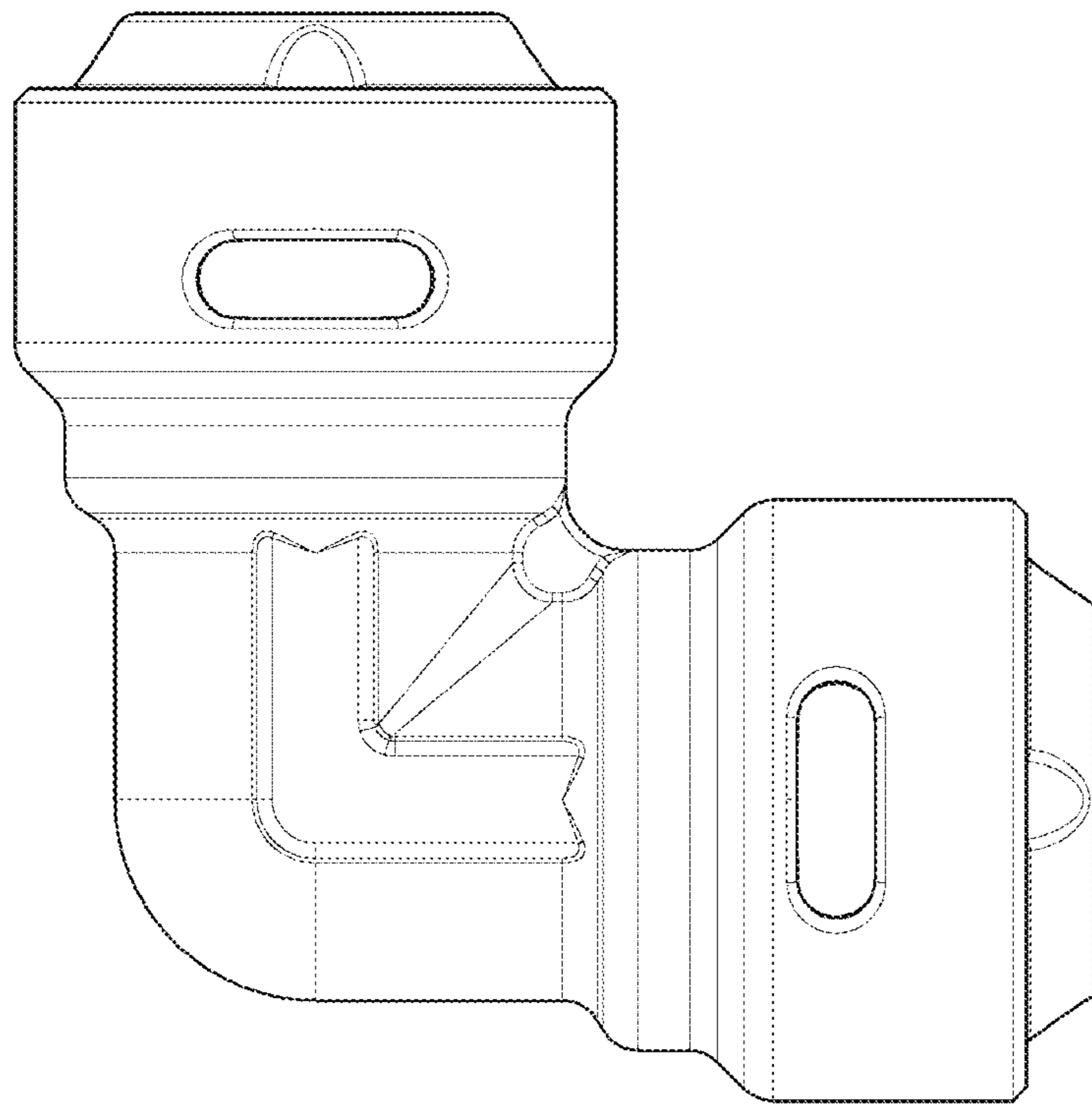


FIG. 2

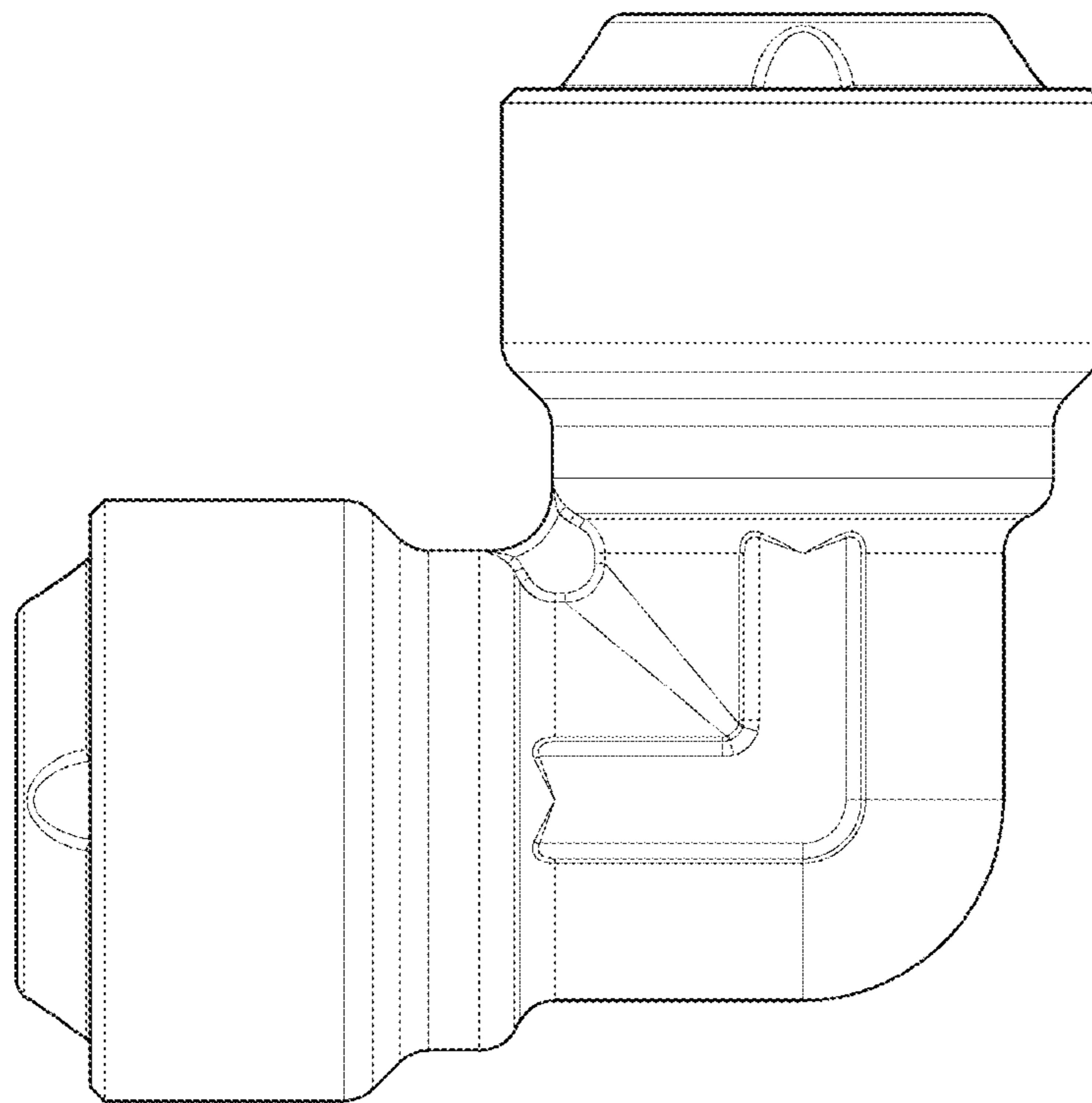


FIG. 3

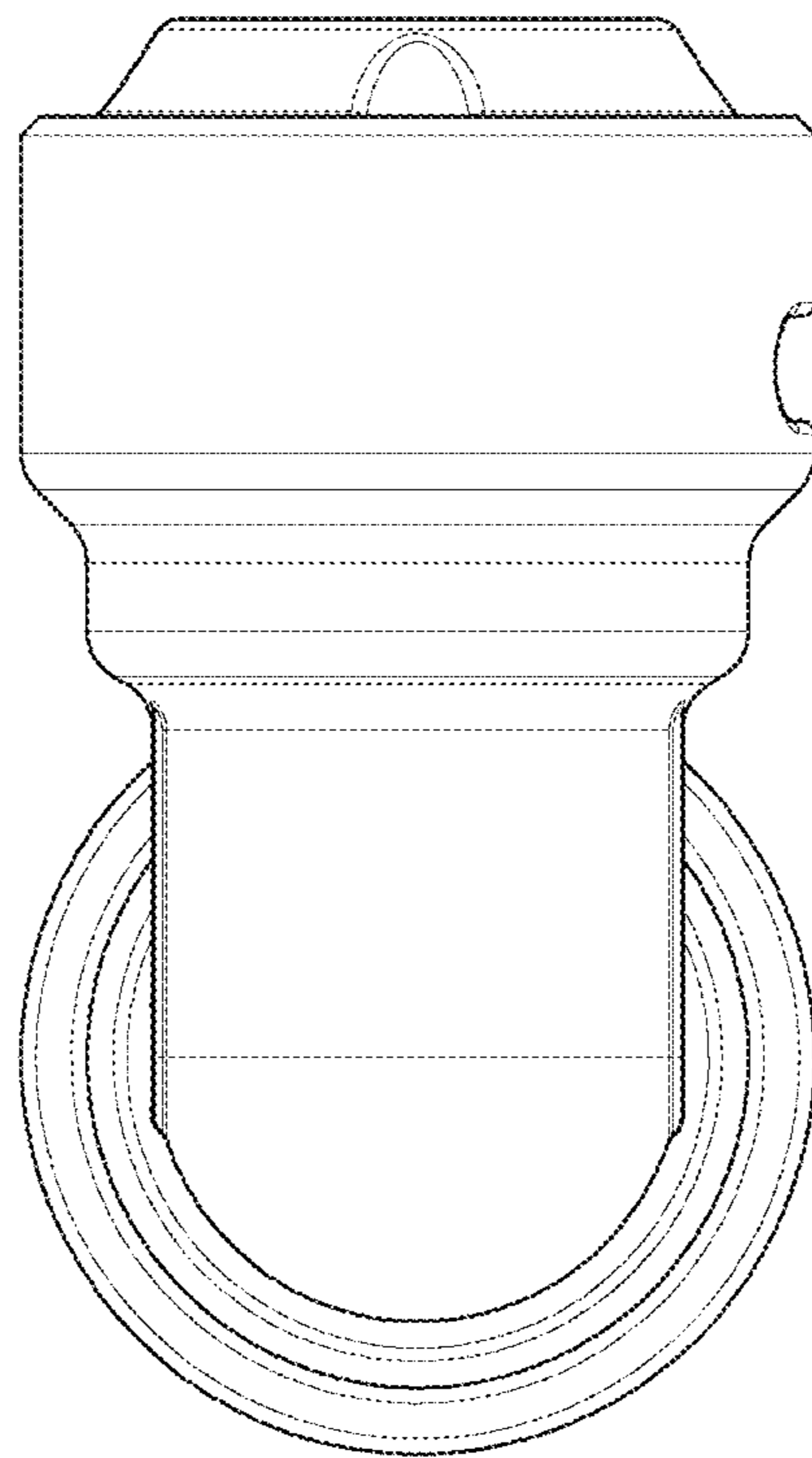


FIG. 4

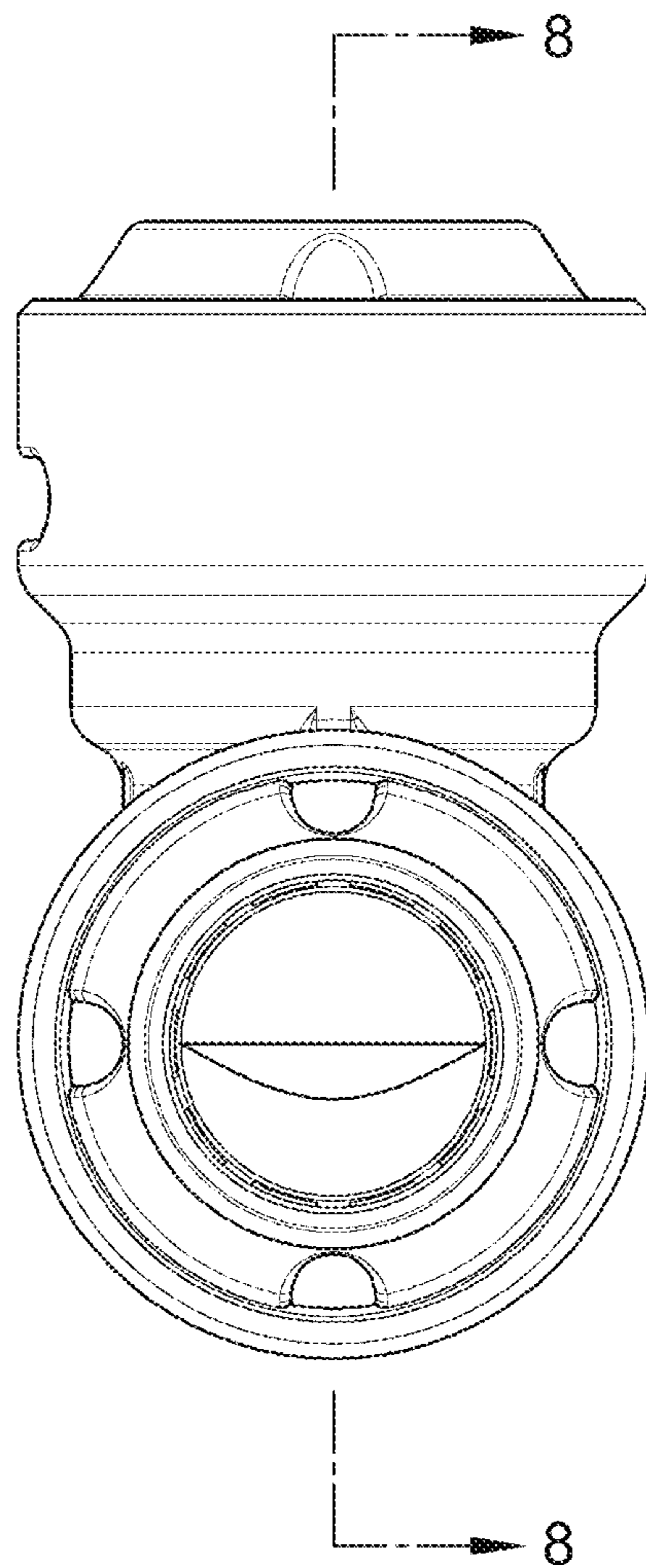


FIG. 5

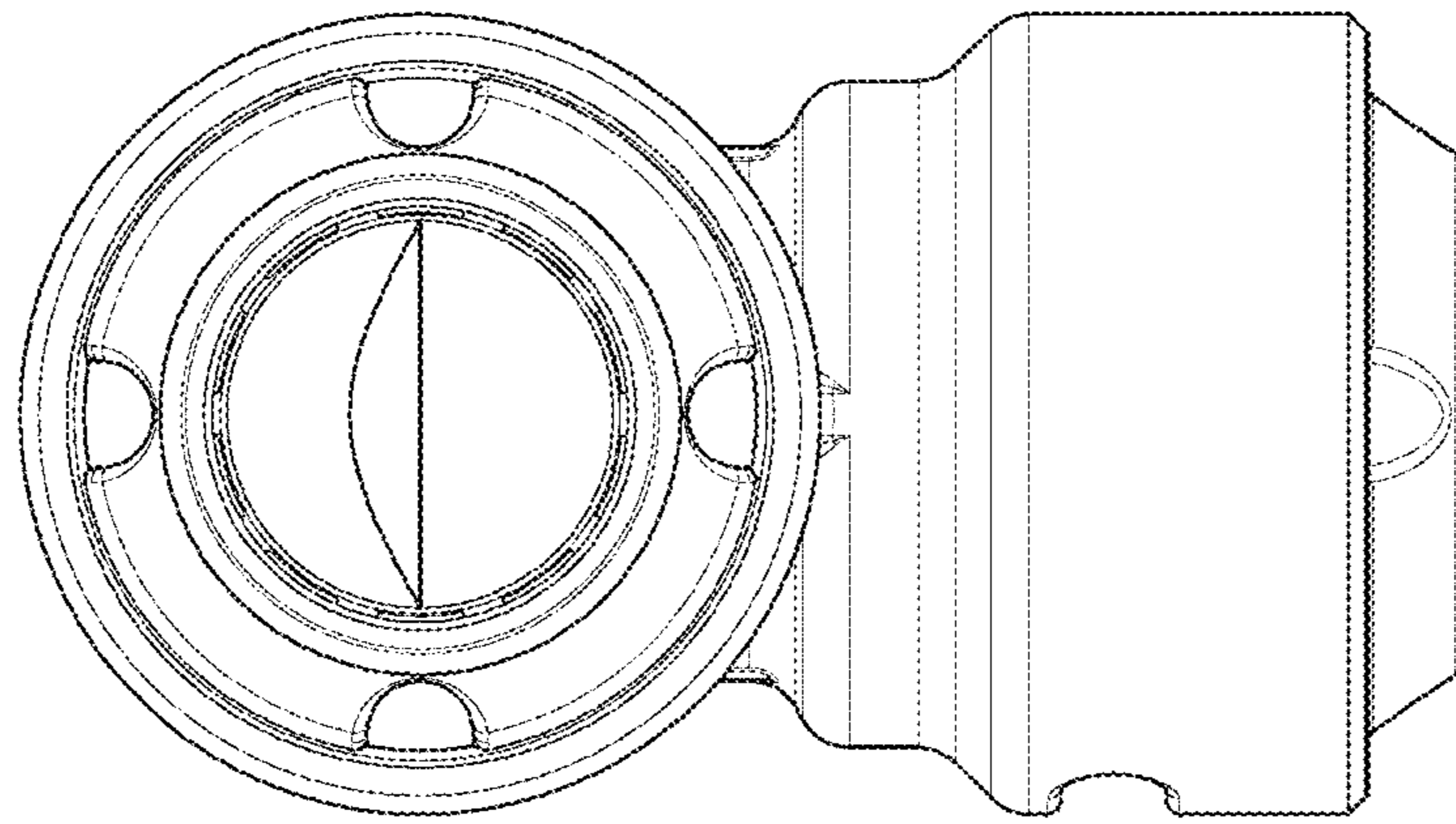


FIG. 6

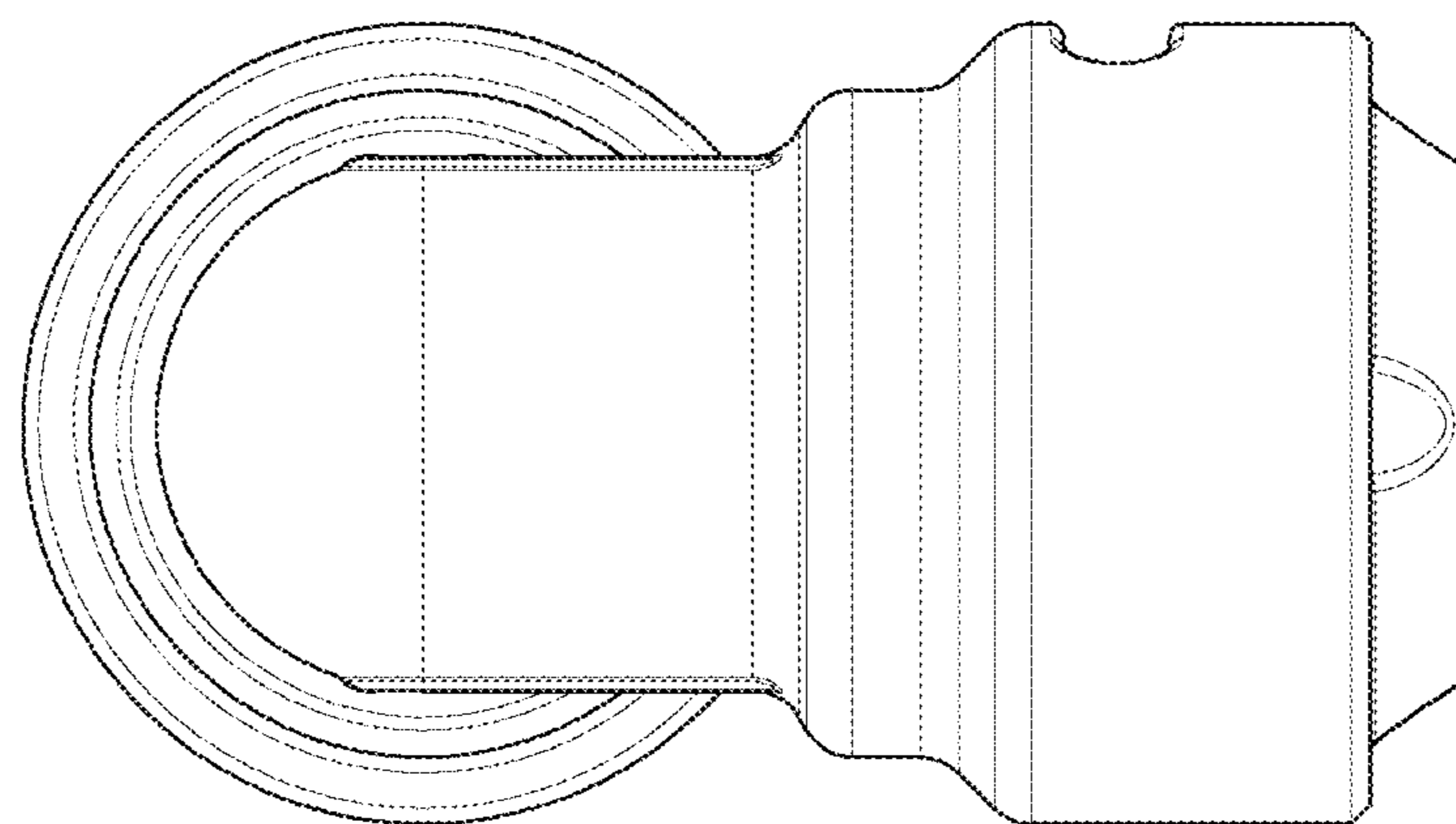


FIG. 7

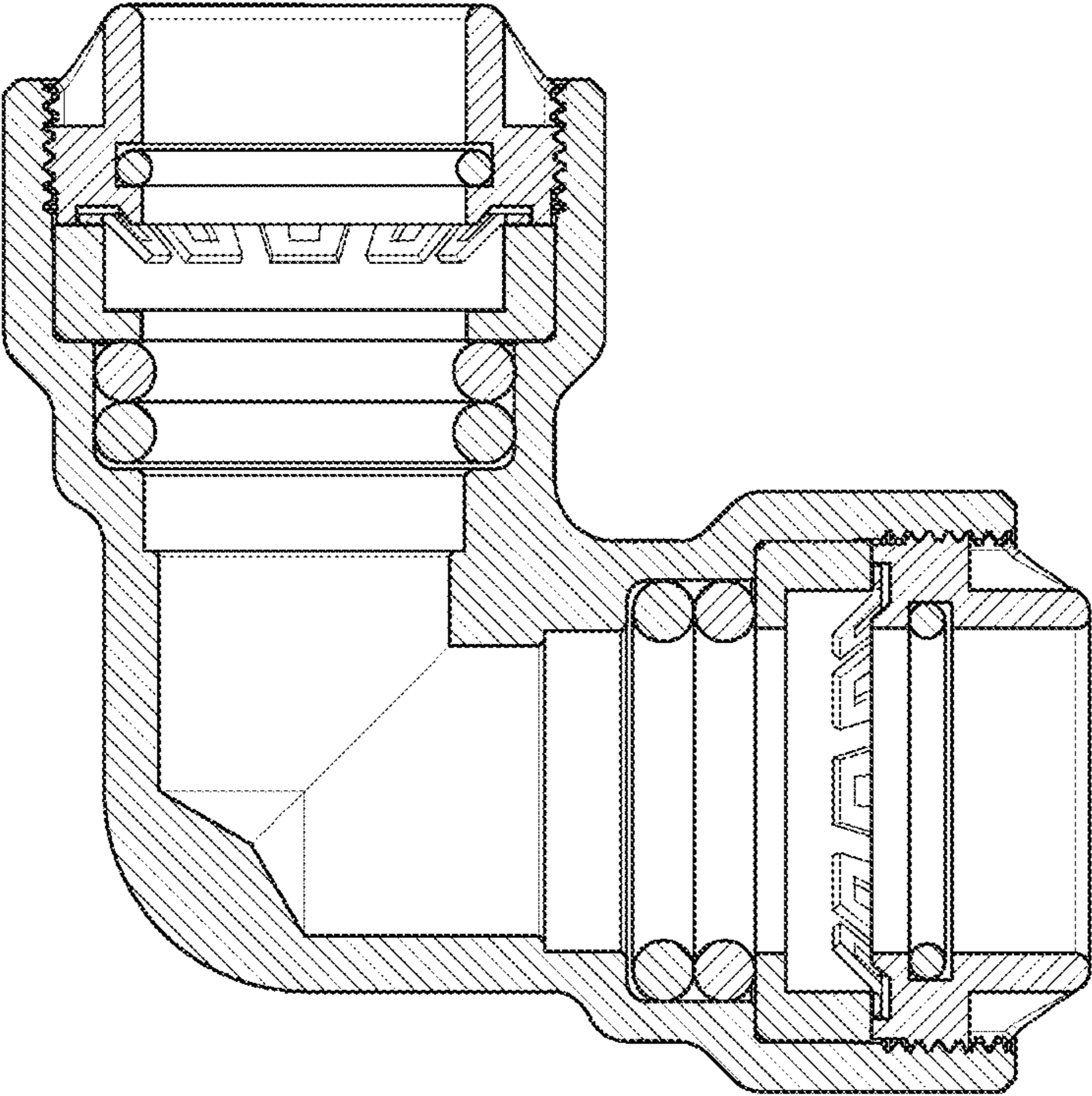


FIG. 8