



US00D943714S

(12) **United States Design Patent**  
**Han**

(10) **Patent No.:** **US D943,714 S**

(45) **Date of Patent:** **\*\* Feb. 15, 2022**

(54) **QUICK RELEASE GREASE COUPLER**

(71) Applicant: **Huabing Han**, Hangzhou (CN)

(72) Inventor: **Huabing Han**, Hangzhou (CN)

(\*\*) Term: **15 Years**

(21) Appl. No.: **29/771,262**

(22) Filed: **Feb. 22, 2021**

(30) **Foreign Application Priority Data**

Feb. 7, 2021 (CN) ..... 202130089691.8

(51) **LOC (13) Cl.** ..... **23-01**

(52) **U.S. Cl.**

USPC ..... **D23/262**; D23/226

(58) **Field of Classification Search**

USPC ..... D23/213, 226, 245, 259, 262, 266;  
D8/14.1, 108, 112–113, 129, 133, 135,  
D8/137–138; 222/335, 470–474, 571;  
184/28–29, 105.1–105.3; 285/305, 308,  
285/316–318, 322

CPC ..... F16N 23/00; F16L 11/00

See application file for complete search history.

(56) **References Cited**

**U.S. PATENT DOCUMENTS**

- 935,268 A \* 9/1909 Levedahl ..... F16K 31/52408  
251/240
- 1,637,326 A \* 7/1927 Murphy ..... F16N 3/12  
141/353
- 2,070,013 A \* 2/1937 Krannak ..... F16L 37/127  
285/316
- 2,678,848 A \* 5/1954 Grewe ..... F16K 21/04  
239/572
- 3,343,804 A \* 9/1967 Pinke ..... B05B 1/3046  
251/241
- D215,287 S \* 9/1969 Nordeen ..... D23/226
- 3,779,586 A \* 12/1973 Rossiter ..... F16L 37/407  
285/308
- 8,720,487 B2 \* 5/2014 Cooley ..... F16L 37/34  
137/614.05

- 8,955,544 B2 \* 2/2015 Gurney ..... F16N 21/02  
137/539
- D760,351 S \* 6/2016 Weidmann ..... D23/226
- D780,891 S \* 3/2017 Endo ..... D23/226
- 10,041,616 B2 \* 8/2018 Danielson ..... F16L 25/14
- D851,738 S \* 6/2019 Ghorbani ..... D23/259
- D854,665 S 7/2019 Simon
- D882,044 S 4/2020 Uccellani et al.
- 2012/0267890 A1 \* 10/2012 Gurney ..... F16L 37/138  
285/308
- 2018/0142837 A1 \* 5/2018 Boren ..... F16N 3/12  
(Continued)

**OTHER PUBLICATIONS**

LockNLube Grease Gun Coupler XL—Extra Reach for Recessed Grease Fittings; Amazon First Available Date Apr. 5, 2017; Visited Online Oct. 28, 2021; [https://www.amazon.com/dp/B06Y2GBFFT/ref=sspa\\_dk\\_detail\\_1?psc=1&pd\\_rd\\_i=B06Y2GBFFT&pd\\_rd\\_w=c9QR0&pf\\_rd\\_p=9fd3ea7c-b77c-42ac-b43b-c872d3f37c38&pd\\_rd\\_wg=Cf2q&pf\\_rd\\_r=A1A9D5BBV46SP15CJE1R&pd\\_rd\\_r=f2d9d7f1-5dd2](https://www.amazon.com/dp/B06Y2GBFFT/ref=sspa_dk_detail_1?psc=1&pd_rd_i=B06Y2GBFFT&pd_rd_w=c9QR0&pf_rd_p=9fd3ea7c-b77c-42ac-b43b-c872d3f37c38&pd_rd_wg=Cf2q&pf_rd_r=A1A9D5BBV46SP15CJE1R&pd_rd_r=f2d9d7f1-5dd2) (Year: 2017).\*

*Primary Examiner* — Amy C Wierenga

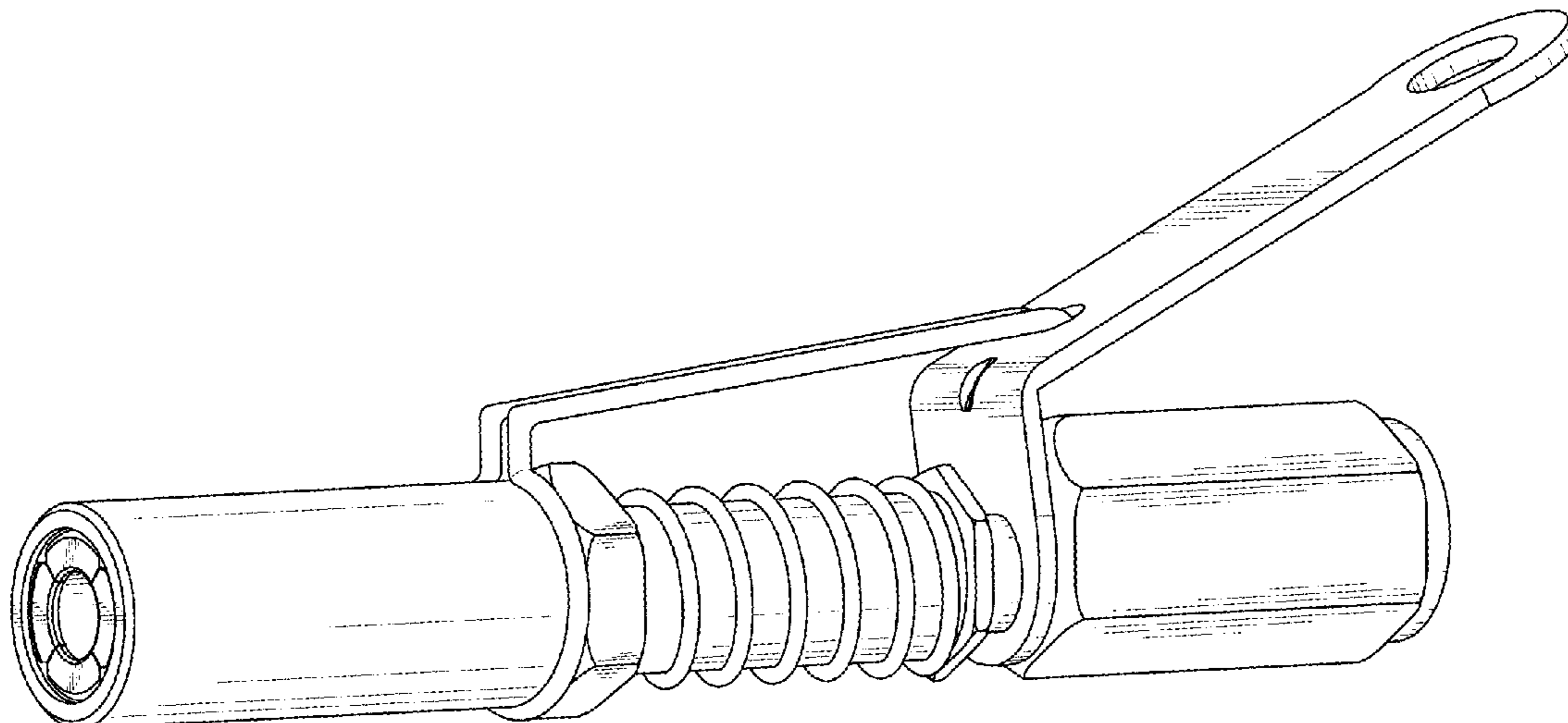
(57) **CLAIM**

The ornamental design for a quick release grease coupler, as shown and described.

**DESCRIPTION**

FIG. 1 is a perspective view of a quick release grease coupler showing my new design;  
FIG. 2 is a front view thereof;  
FIG. 3 is a rear view thereof;  
FIG. 4 is a left side view thereof;  
FIG. 5 is a right side view thereof;  
FIG. 6 is a top plan view thereof; and,  
FIG. 7 is a bottom plan view thereof.  
The broken lines in the figures illustrate portions of the quick release grease coupler that form no part of the claimed design.

**1 Claim, 7 Drawing Sheets**



(56)

**References Cited**

U.S. PATENT DOCUMENTS

2018/0299065 A1\* 10/2018 Hung ..... F16K 15/044  
2019/0120413 A1\* 4/2019 Verma ..... F16L 37/121

\* cited by examiner

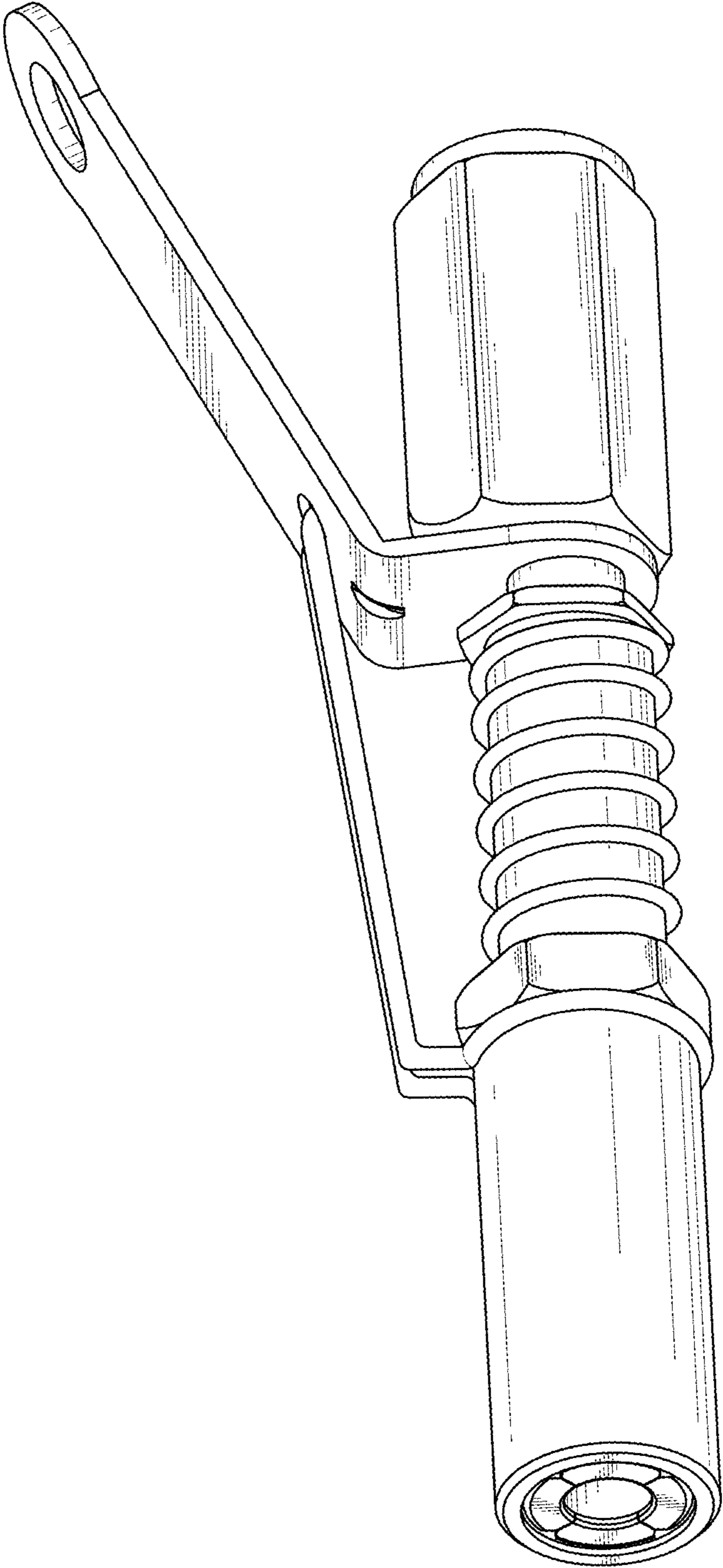


FIG. 1

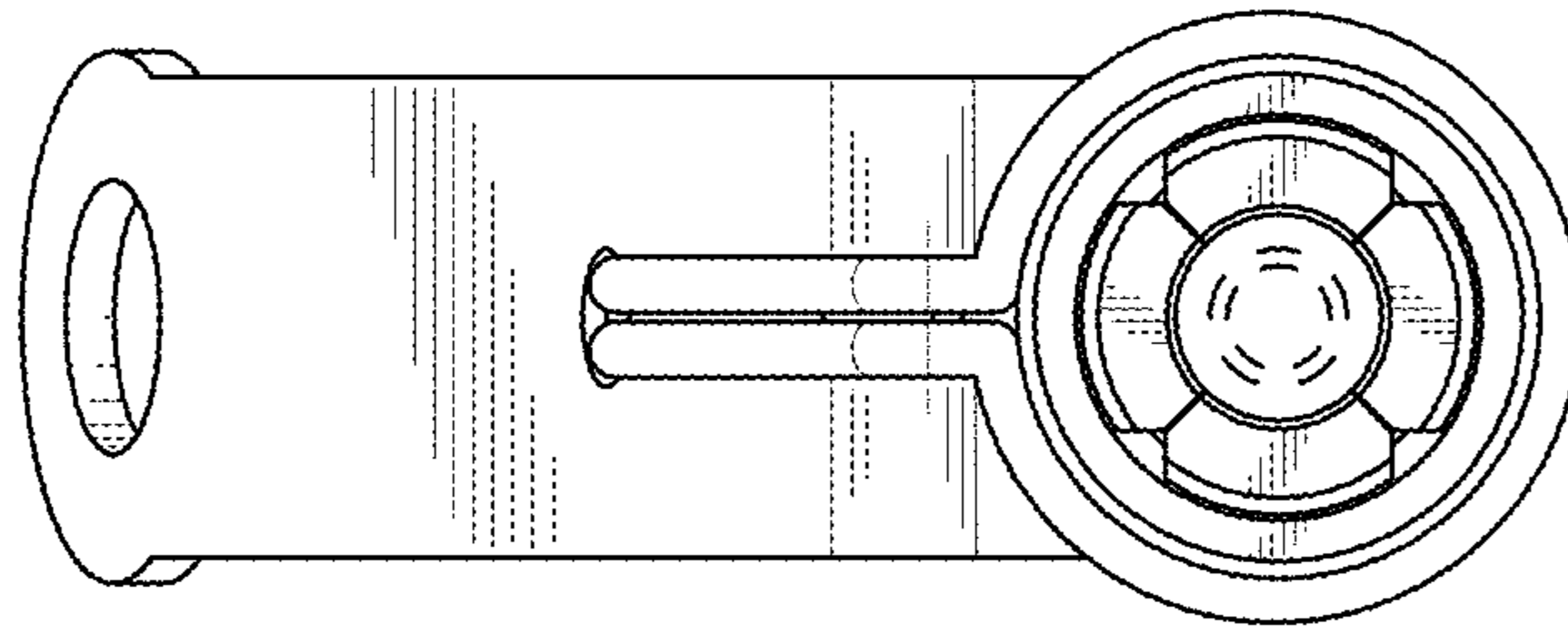


FIG. 2

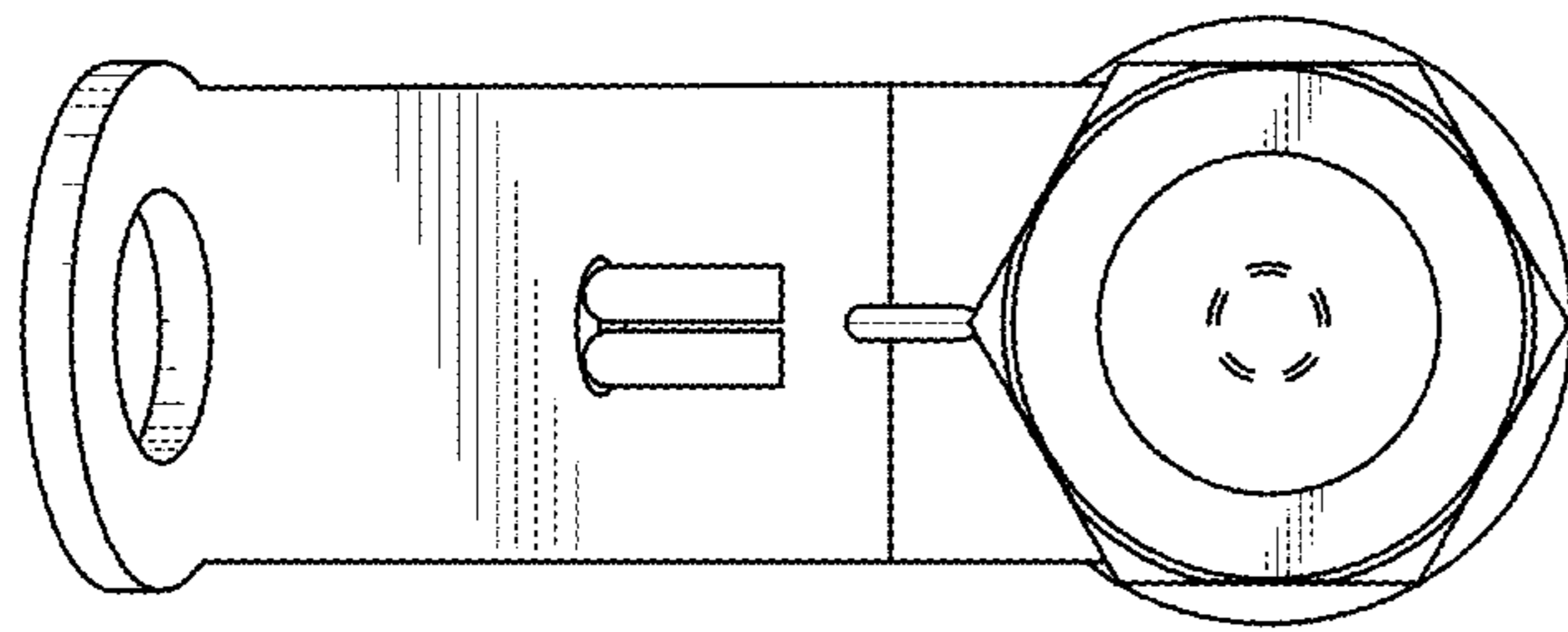


FIG. 3

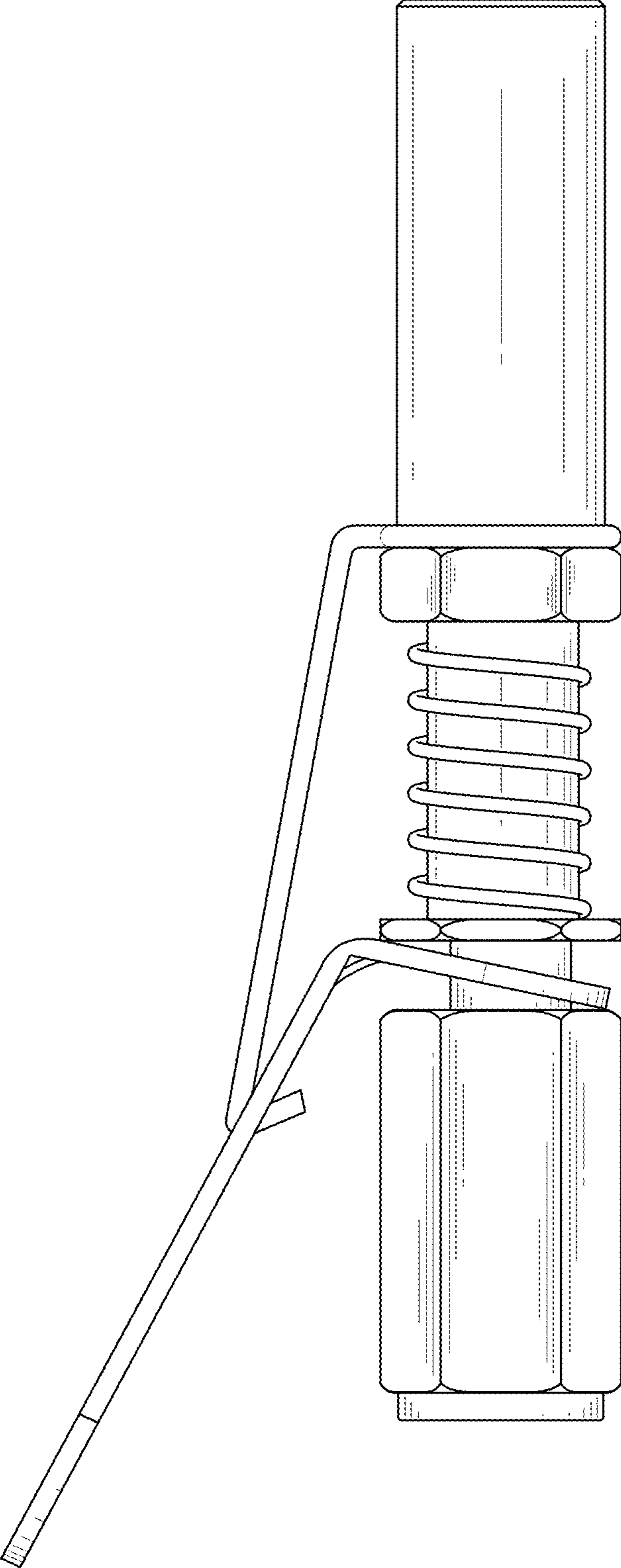


FIG. 4

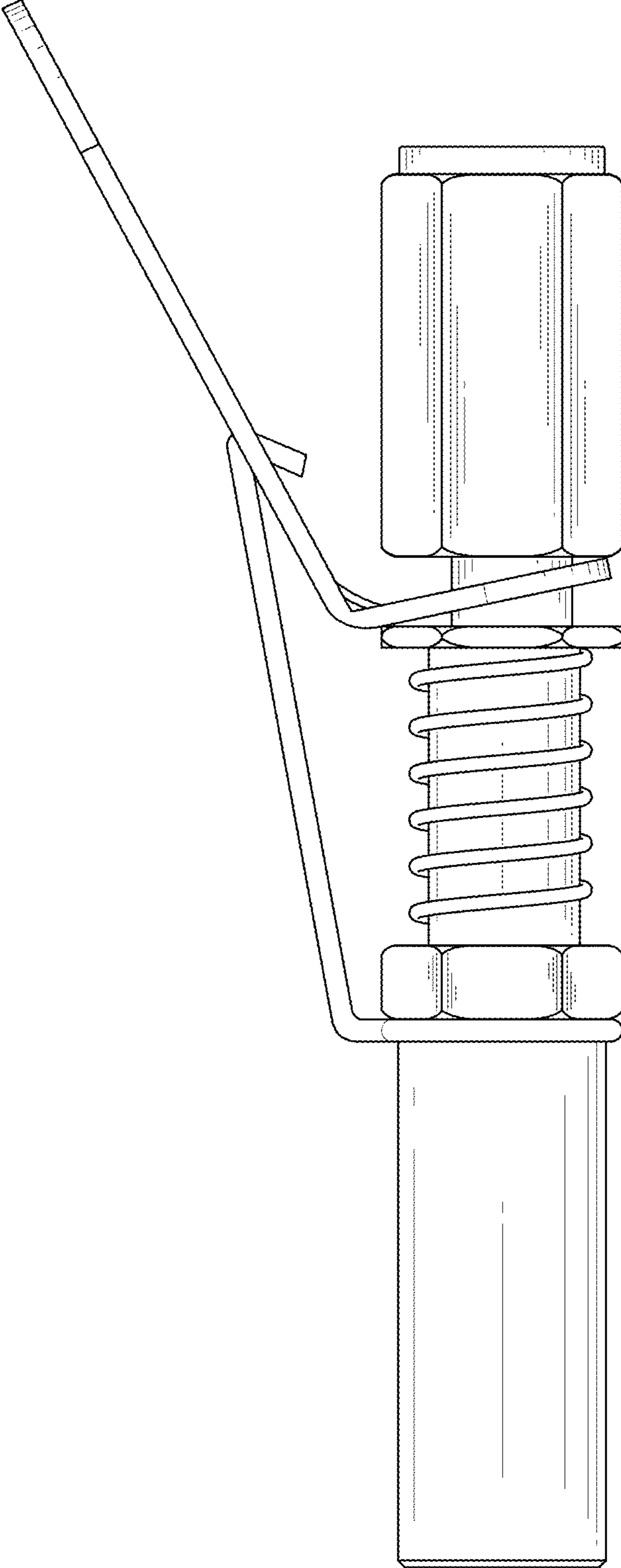


FIG. 5

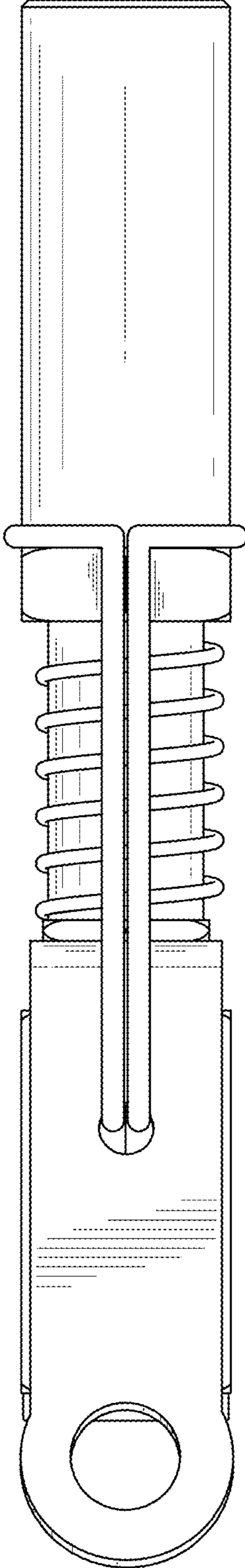


FIG. 6



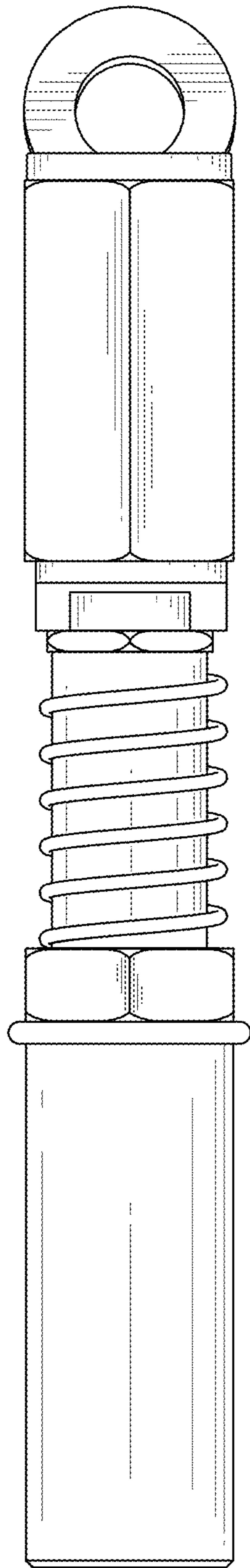


FIG. 7