



US00D943712S

(12) **United States Design Patent** (10) **Patent No.:** **US D943,712 S**
Schramski et al. (45) **Date of Patent:** **** Feb. 15, 2022**

(54) **MOLDED CONNECTION PANEL**

(71) Applicant: **B&B MOLDERS, LLC**, Mishawaka, IN (US)

(72) Inventors: **Adam Schramski**, Granger, IN (US);
Mike Dittrich, Granger, IN (US);
Brian Shinabarger, Elkhart, IN (US);
Brad Murphey, Osceola, IN (US)

(73) Assignee: **B&B Molders, LLC**, Mishawaka, IN (US)

(**) Term: **15 Years**

(21) Appl. No.: **29/744,610**

(22) Filed: **Jul. 30, 2020**

(51) **LOC (13) Cl.** **23-01**

(52) **U.S. Cl.**
USPC **D23/249**

(58) **Field of Classification Search**
USPC D23/249, 269, 304; D14/432, 434, 439,
D14/447, 300, 451; D13/137.1-139.8
CPC . E03C 1/021; E03C 1/12; E03C 1/042; E03C
1/122; E03C 2001/028; F16L 5/14
See application file for complete search history.

(56) **References Cited**

U.S. PATENT DOCUMENTS

D585,397 S *	1/2009	Hwang	D14/130
D592,738 S *	5/2009	Paroonagian	D23/304
D764,638 S *	8/2016	Schramski	D23/249
D795,394 S *	8/2017	Schramski	D23/249

2012/0273064 A1* 11/2012 Ismert E03C 1/12
137/360

2015/0026946 A1* 1/2015 Ben Jacov F16L 5/10
29/428

2015/0259891 A1* 9/2015 Ismert E03C 1/12
137/360

* cited by examiner

Primary Examiner — Mark A Goodwin
(74) *Attorney, Agent, or Firm* — Harness, Dickey &
Pierce, P.L.C.; Stephen T. Olson

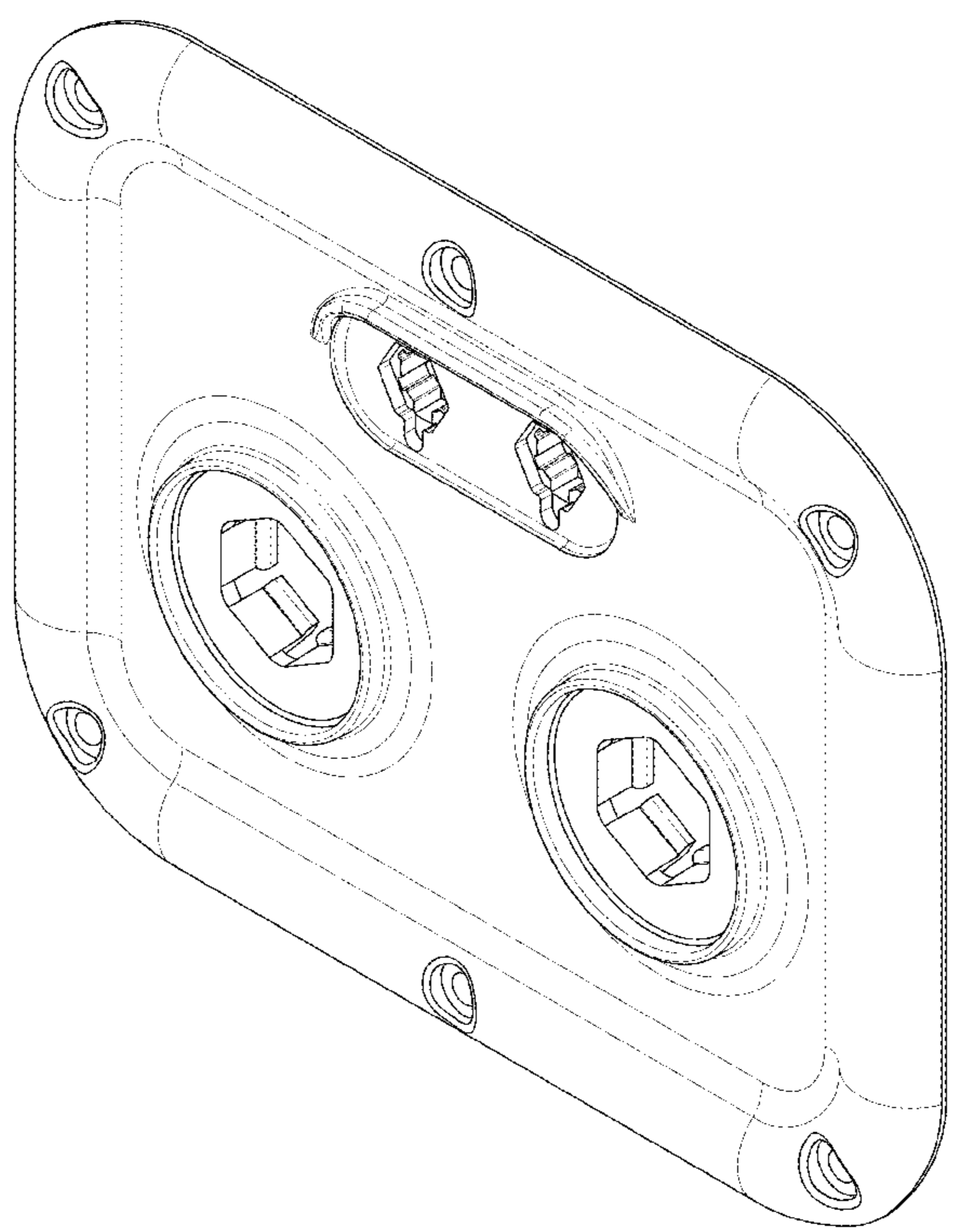
(57) **CLAIM**

The ornamental design for a molded connection panel, as shown and described.

DESCRIPTION

FIG. 1 is a front perspective view of a molded connection panel in accordance with our design.
FIG. 2 is a front view thereof.
FIG. 3 is a rear view thereof.
FIG. 4 is a bottom view thereof.
FIG. 5 is a top view thereof.
FIG. 6 is a right side view thereof.
FIG. 7 is a left side view thereof.
FIG. 8 is a sectional view taken along the line A-A of FIG. 2.
FIG. 9 is a sectional view taken along the line B-B of FIG. 2.
FIG. 10 is a sectional view taken along the line C-C of FIG. 2; and,
FIG. 11 is a sectional view taken along the line D-D of FIG. 2.

1 Claim, 6 Drawing Sheets



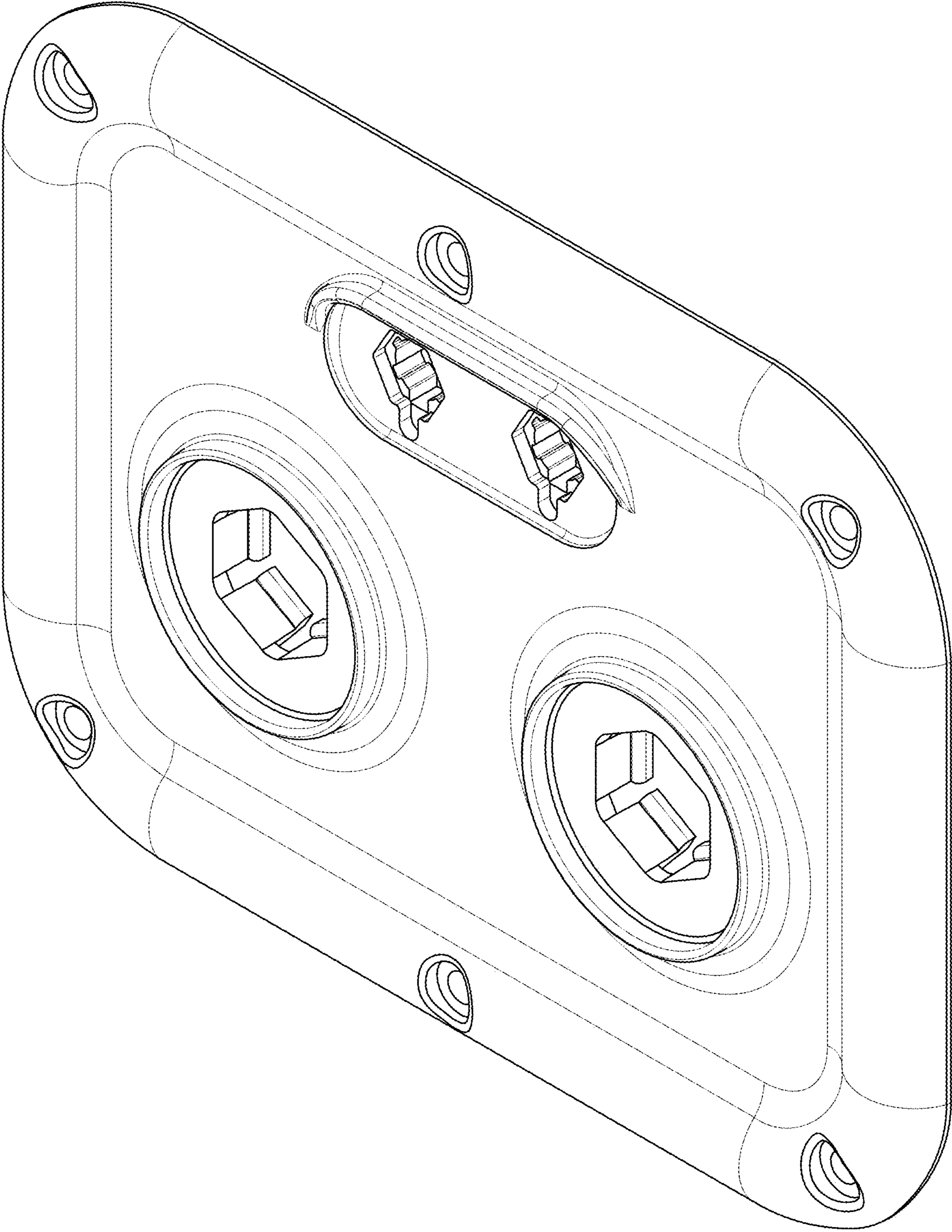


FIG. 1

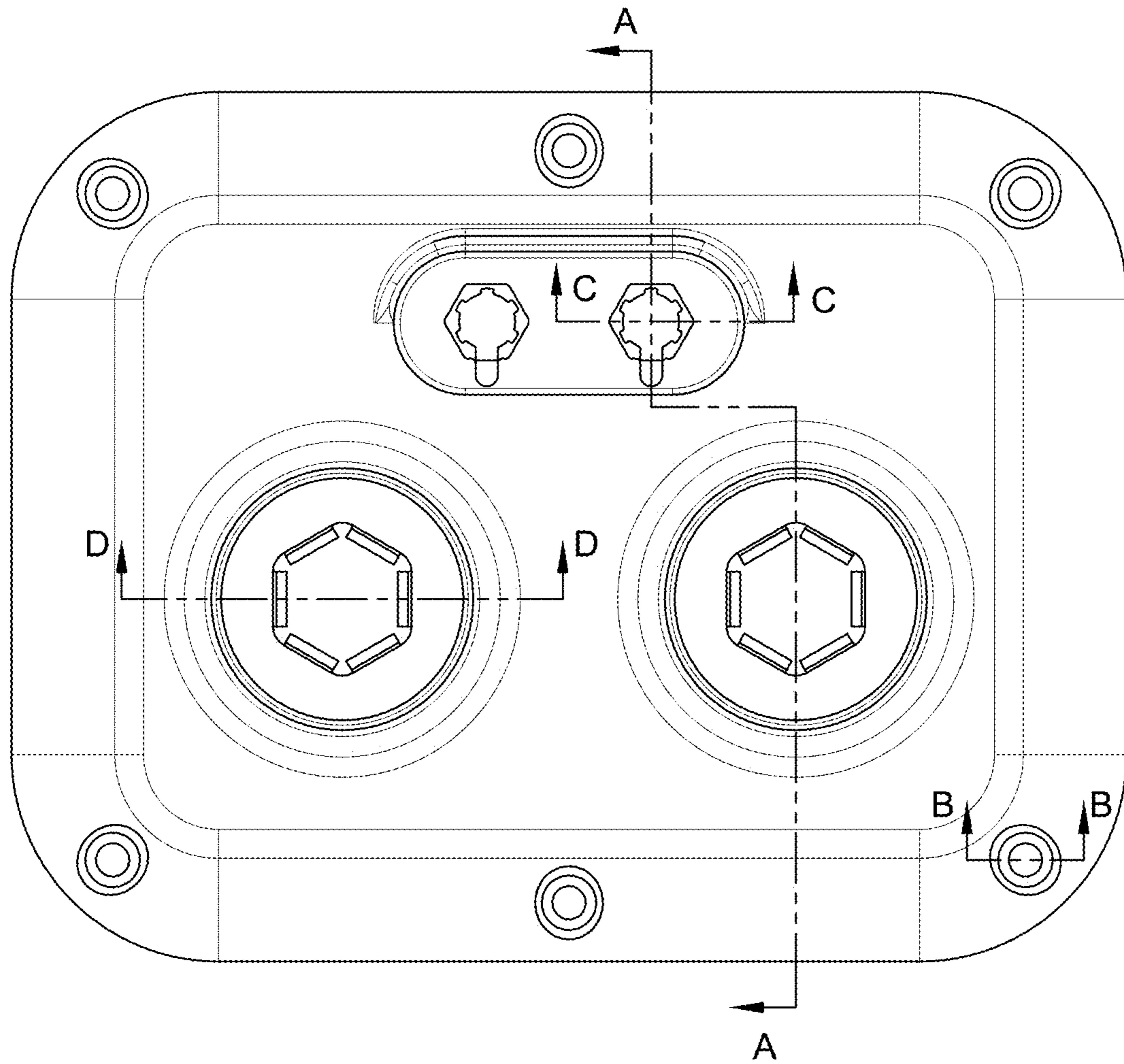


FIG. 2

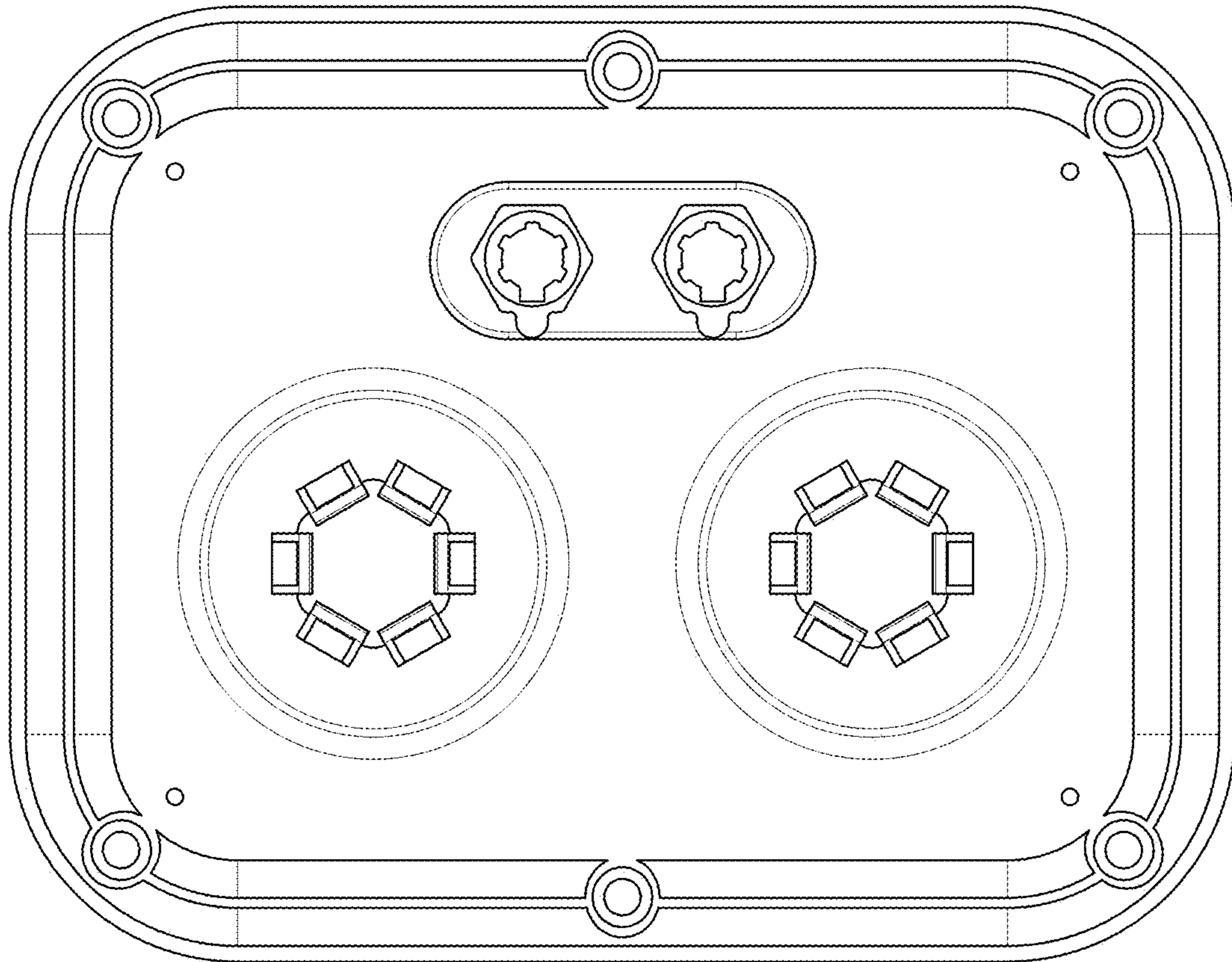


FIG. 3

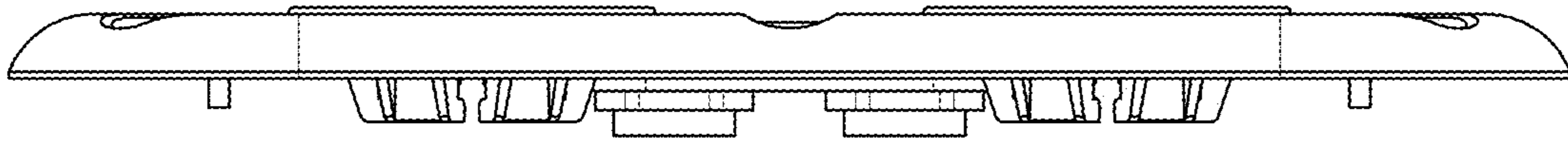


FIG. 4

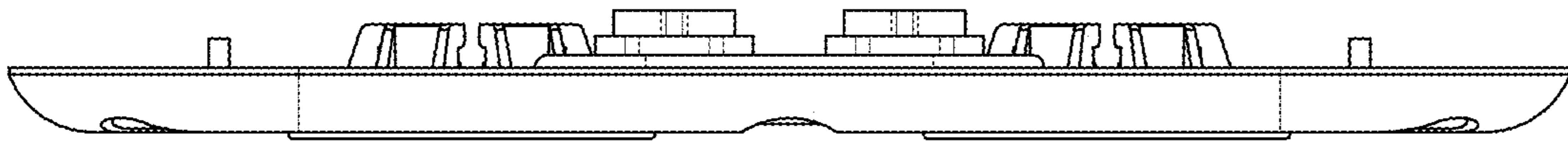


FIG. 5

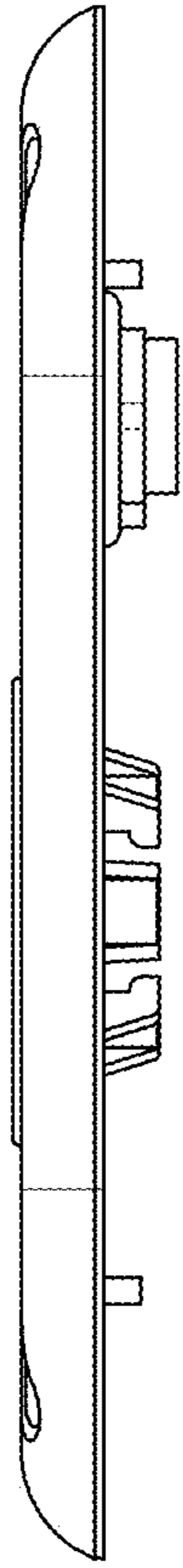


FIG. 6

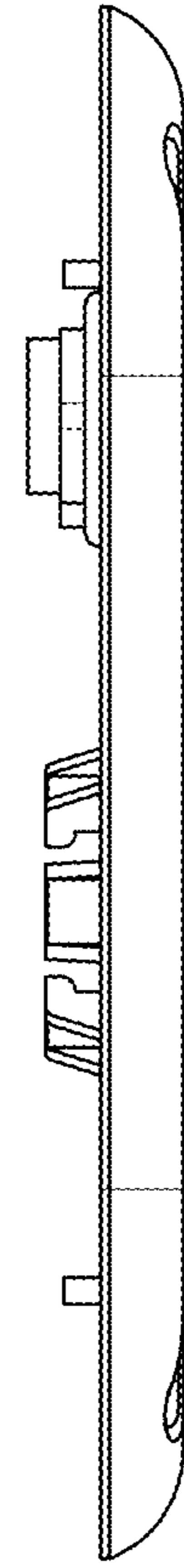
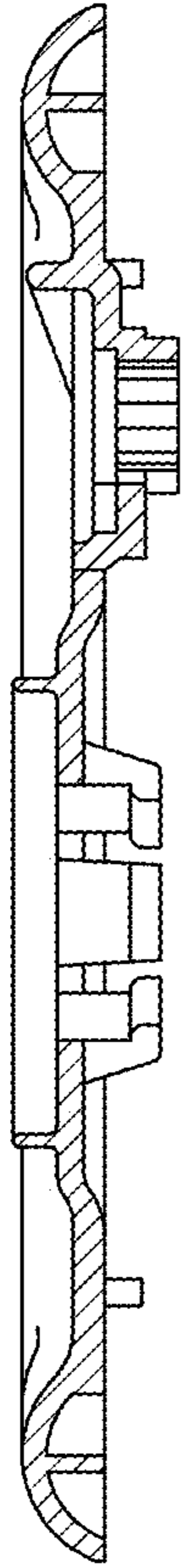
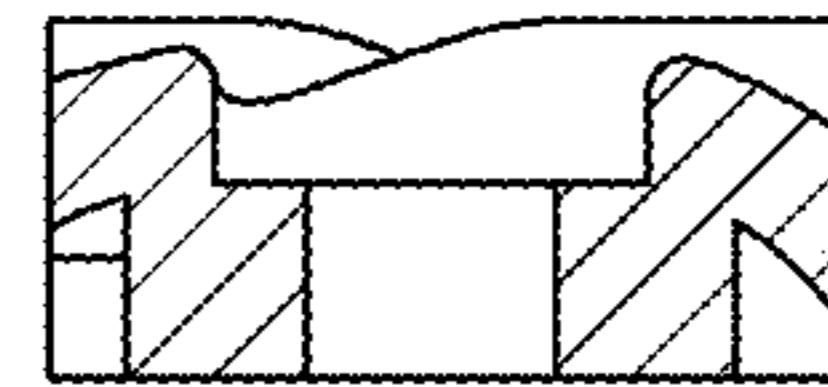


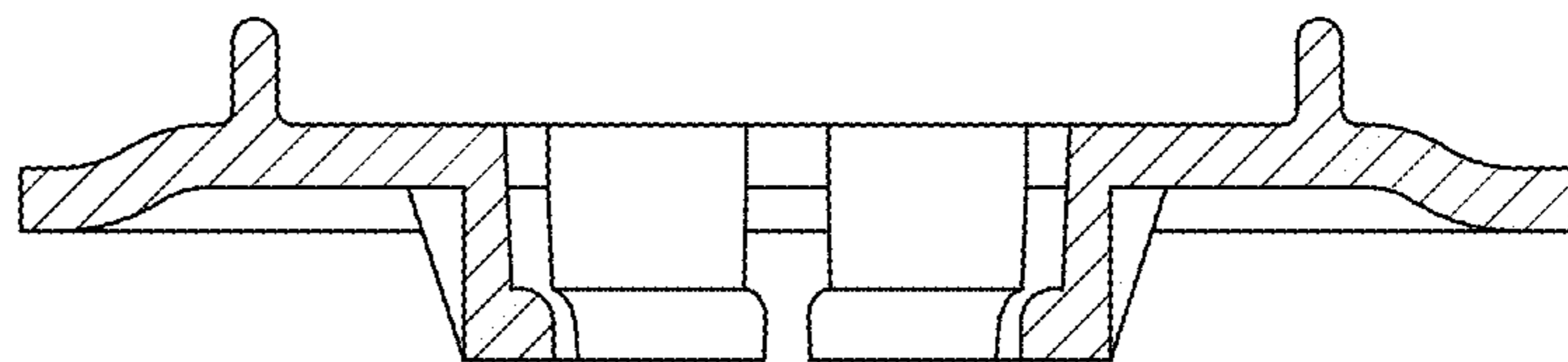
FIG. 7



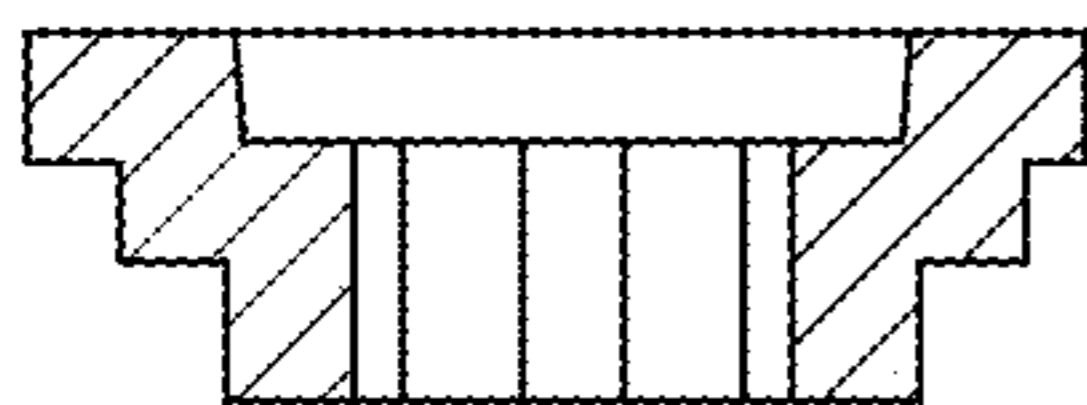
SECTION A-A
FIG. 8



SECTION B-B
FIG. 9



SECTION D-D
FIG. 11



SECTION C-C
FIG. 10