



US00D943710S

(12) **United States Design Patent**
Ying et al.

(10) **Patent No.:** **US D943,710 S**

(45) **Date of Patent:** **** Feb. 15, 2022**

(54) **PAINT SPRAYER**

OTHER PUBLICATIONS

(71) Applicants: **Zhenxing Ying**, Zhejiang (CN); **Hai Wu**, Zhejiang (CN); **Junpeng Wei**, Zhejiang (CN); **Xiaorong Li**, Zhejiang (CN); **Fazheng Yang**, Zhejiang (CN)

Master Pro 44 Series HVLP Spray Gun, Sep. 25, 2018, Amazon, site visited Sep. 13, 2021: <https://www.amazon.com/dp/B07HNFDCT9/> (Year: 2018).*

(Continued)

(72) Inventors: **Zhenxing Ying**, Zhejiang (CN); **Hai Wu**, Zhejiang (CN); **Junpeng Wei**, Zhejiang (CN); **Xiaorong Li**, Zhejiang (CN); **Fazheng Yang**, Zhejiang (CN)

Primary Examiner — Jack Reickel
Assistant Examiner — Bobby W Jones, II

(73) Assignee: **Zhejiang Rongpeng Air Tools Co., Ltd.**, Zhejiang (CN)

(57) **CLAIM**

The ornamental design for a paint sprayer, as shown and described.

(**) Term: **15 Years**

(21) Appl. No.: **29/735,120**

(22) Filed: **May 19, 2020**

(51) **LOC (13) Cl.** **23-01**

(52) **U.S. Cl.**
USPC **D23/225**

(58) **Field of Classification Search**
USPC D23/207, 213, 223, 225, 226, 356, 360;
D15/9

CPC .. B05B 5/025; B05B 5/03; B05B 5/16; B05B 5/1691; B05B 7/0018; B05B 7/0093; B05B 7/02; B05B 7/06; B05B 7/062; B05B 7/064; B05B 7/12; B05B 7/129; B05B 7/24; B05B 7/2475; B05B 7/2478; B05B 15/60; B05B 15/63; B05B 9/01

See application file for complete search history.

(56) **References Cited**

U.S. PATENT DOCUMENTS

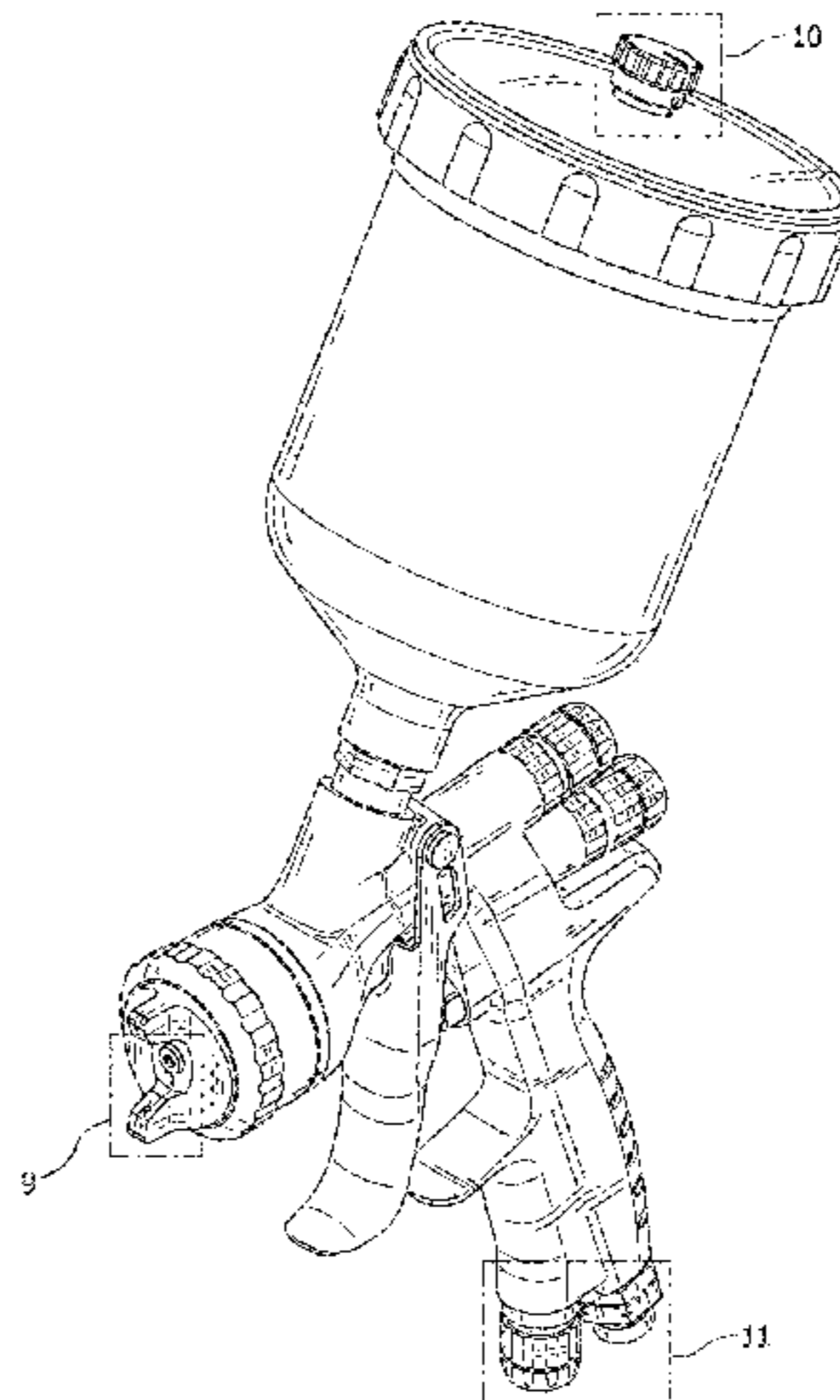
6,749,132 B2 * 6/2004 Pettit B05B 7/0815
239/296
D523,111 S * 6/2006 Huang D23/226
D574,928 S * 8/2008 Huang D23/226
D607,086 S * 12/2009 Kosaka D23/226
8,066,205 B2 * 11/2011 Bass B05B 7/083
239/526

(Continued)

DESCRIPTION

FIG. 1 is a perspective view of a paint sprayer showing my new design;
FIG. 2 is a front elevational view thereof;
FIG. 3 is a rear elevational view thereof;
FIG. 4 is a left side elevational view thereof;
FIG. 5 is a right side elevational view thereof;
FIG. 6 is a top view thereof;
FIG. 7 is a bottom view thereof;
FIG. 8 is a bottom perspective view thereof;
FIG. 9 is an enlarged view of the portion of FIG. 1 outlined by the dot-dash broken line;
FIG. 10 is an enlarged view of the portion of FIG. 1 outlined by the dot-dash broken line;
FIG. 11 is an enlarged view of the portion of FIG. 1 outlined by the dot-dash broken line;
FIG. 12 is an enlarged view of the portion of FIG. 8 outlined by the dot-dash broken line; and,
FIG. 13 is an enlarged view of the portion of FIG. 8 outlined by the dot-dash broken line.
The broken lines depict portions of the paint sprayer in which the design is embodied that form no part of the claimed design.

1 Claim, 13 Drawing Sheets



(56)

References Cited

U.S. PATENT DOCUMENTS

D692,532	S *	10/2013	Li	D23/226
D704,300	S *	5/2014	Li	D23/225
D757,216	S *	5/2016	Gehrung	D23/226
D839,386	S *	1/2019	Ghorbani	D23/226
D858,698	S *	9/2019	Arino	D23/213
D861,130	S *	9/2019	Carls	D23/226
D877,294	S *	3/2020	Johnston	D23/226
11,000,872	B2 *	5/2021	Speck	B05B 15/557
D927,645	S *	8/2021	Davies	D23/226
2003/0230636	A1 *	12/2003	Rogers	G01L 19/14 239/71
2007/0272152	A1 *	11/2007	Rogers	B05B 7/12 118/710
2015/0231655	A1 *	8/2015	Adams	B05B 12/002 427/421.1
2015/0260600	A1 *	9/2015	Hata	B05B 12/008 73/756
2016/0361733	A1 *	12/2016	Zanetti	B05B 12/002
2019/0001359	A1 *	1/2019	Negri	B05B 15/63
2020/0038892	A1 *	2/2020	Volk	B05B 7/0815
2021/0162438	A1 *	6/2021	Zaki	B05B 7/1209

OTHER PUBLICATIONS

ONEVER Spray Gun, Mar. 19, 2019, Amazon, site visited Sep. 13, 2021: <https://www.amazon.com/dp/B07PSNKZVJ/> (Year: 2019).*

* cited by examiner

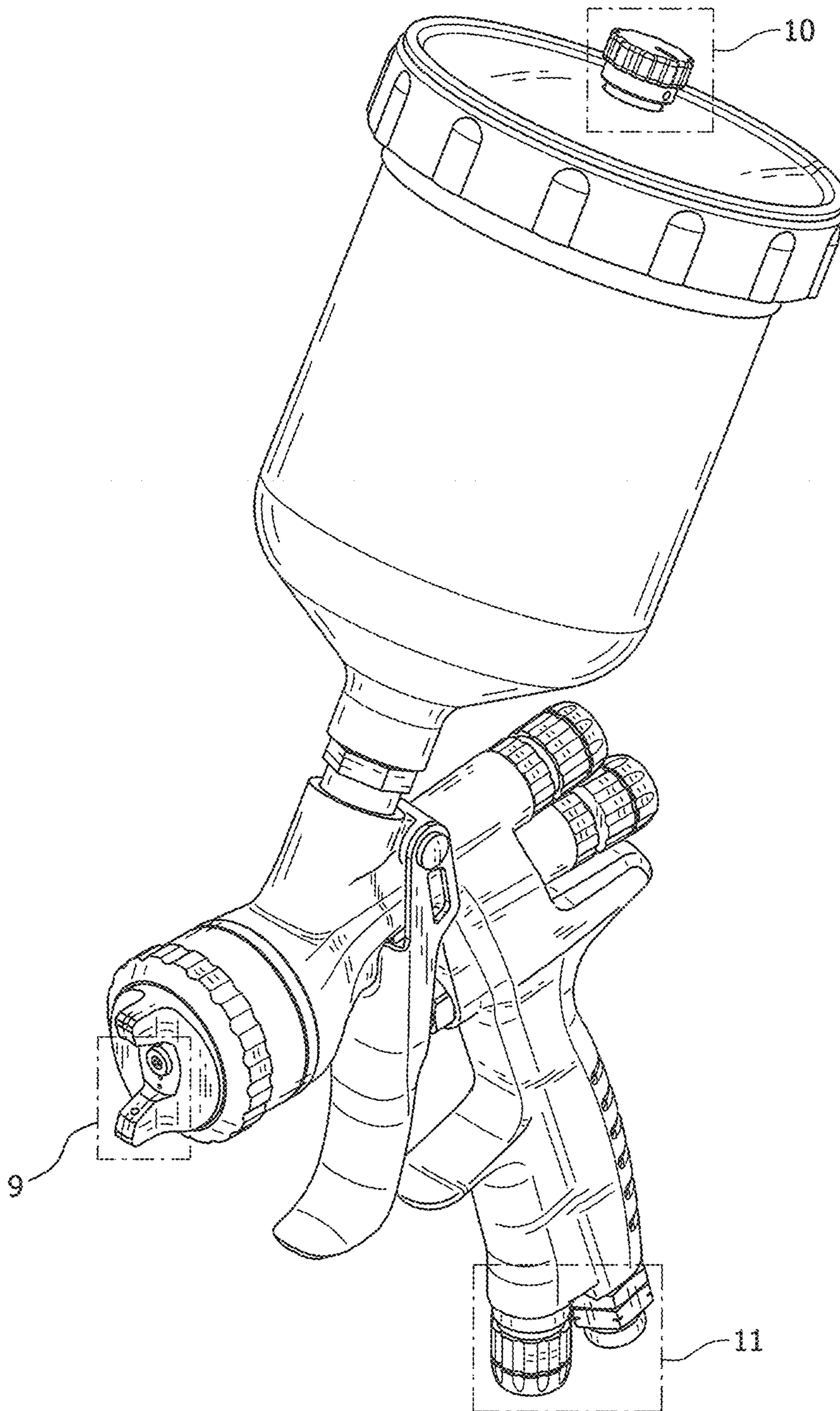


FIG. 1

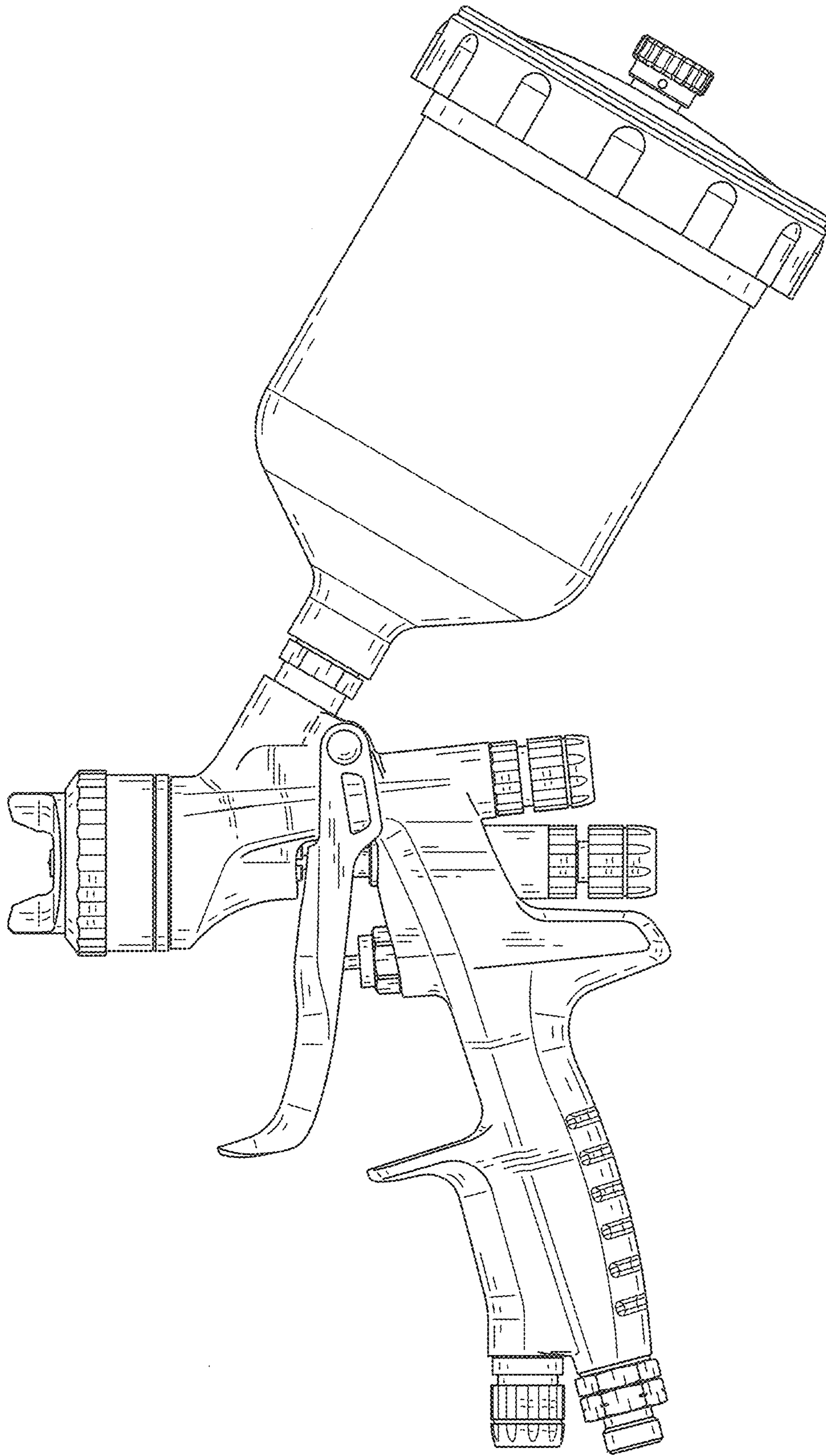


FIG. 2

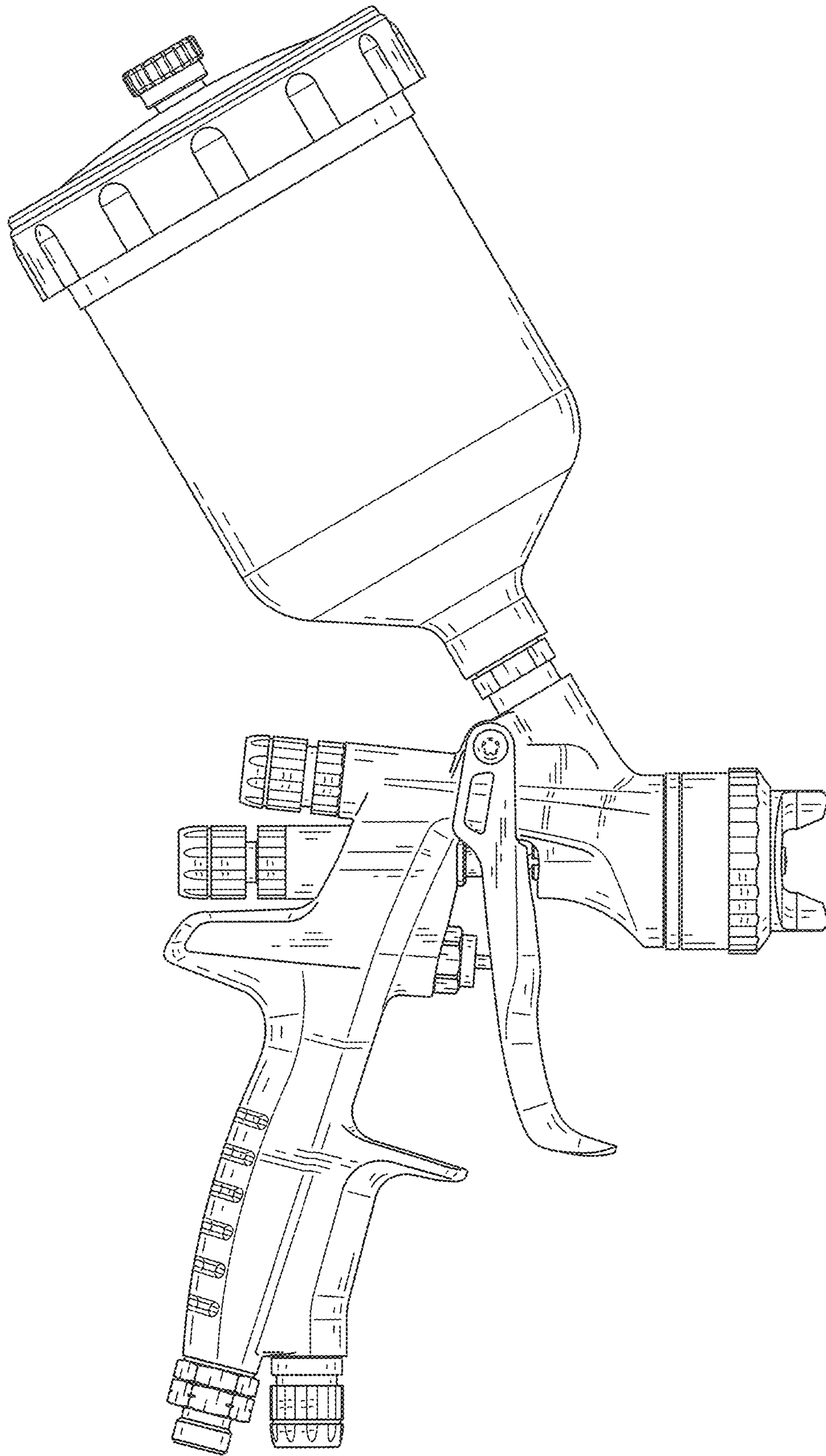


FIG. 3

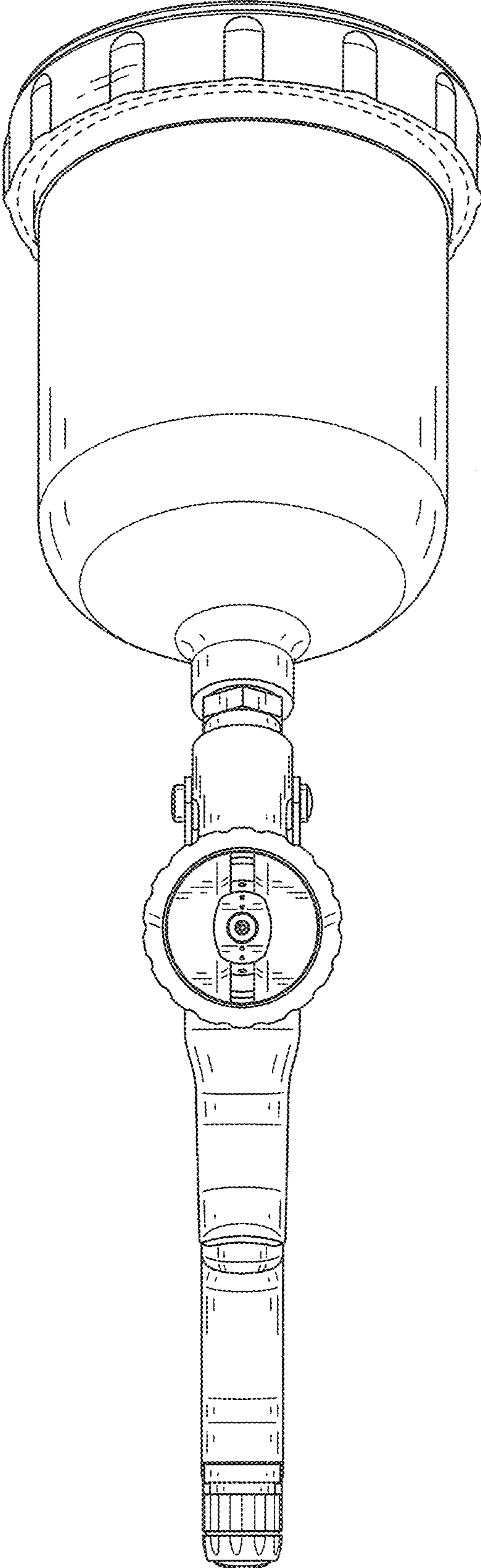


FIG. 4

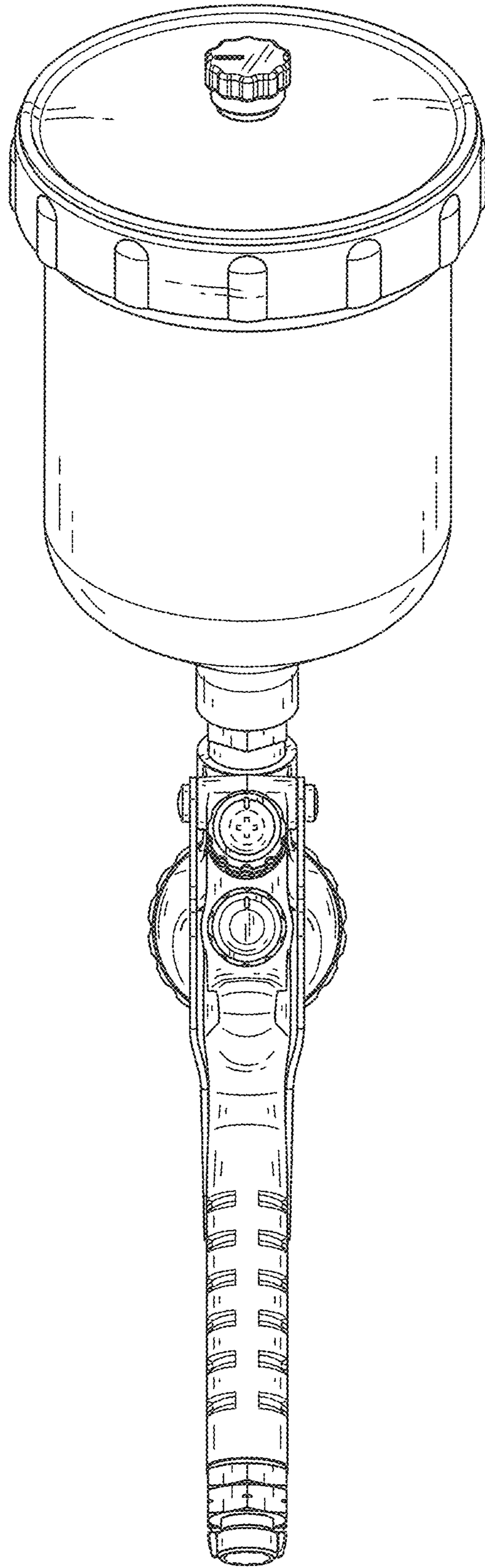


FIG. 5

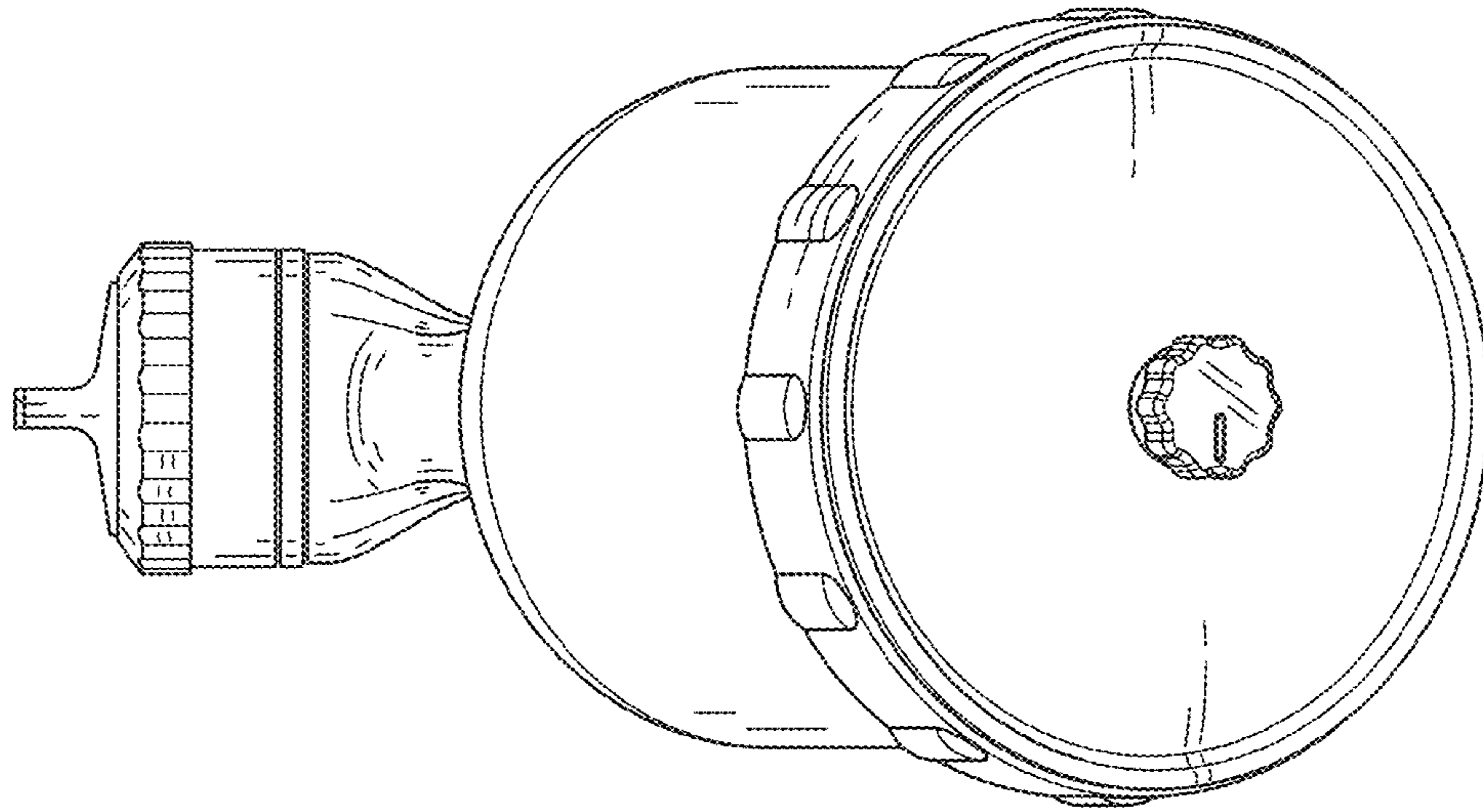


FIG. 6

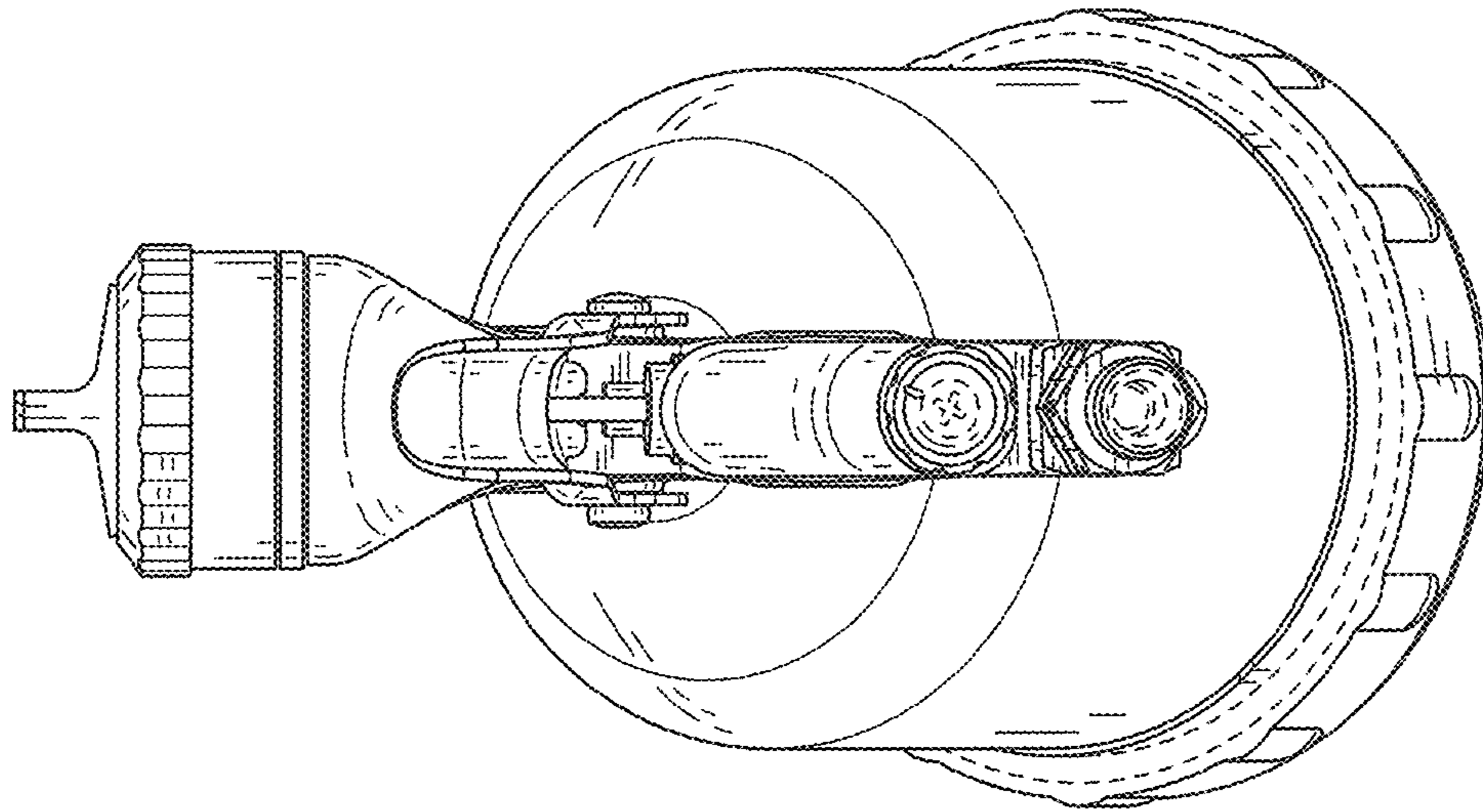


FIG. 7

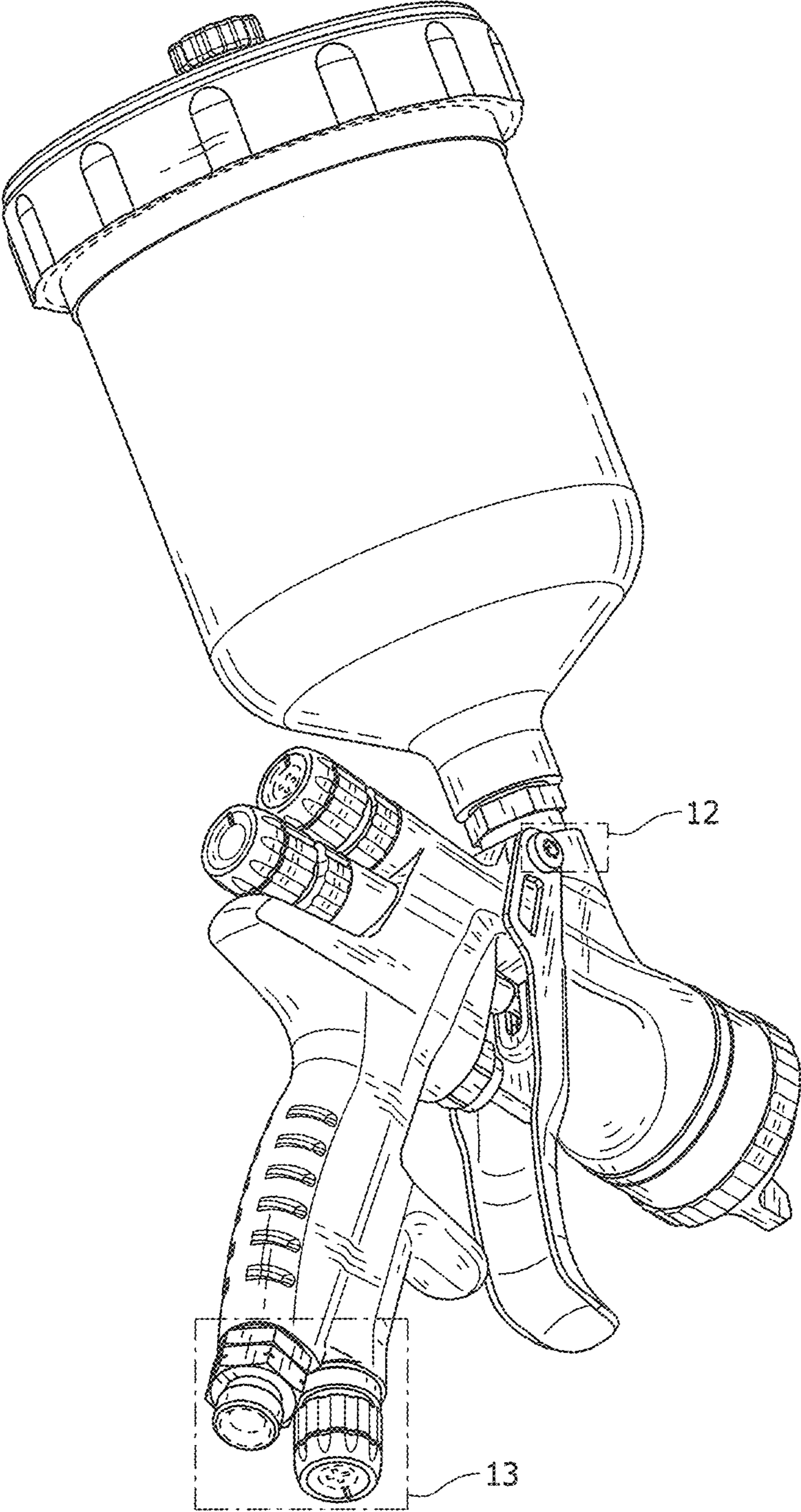


FIG. 8

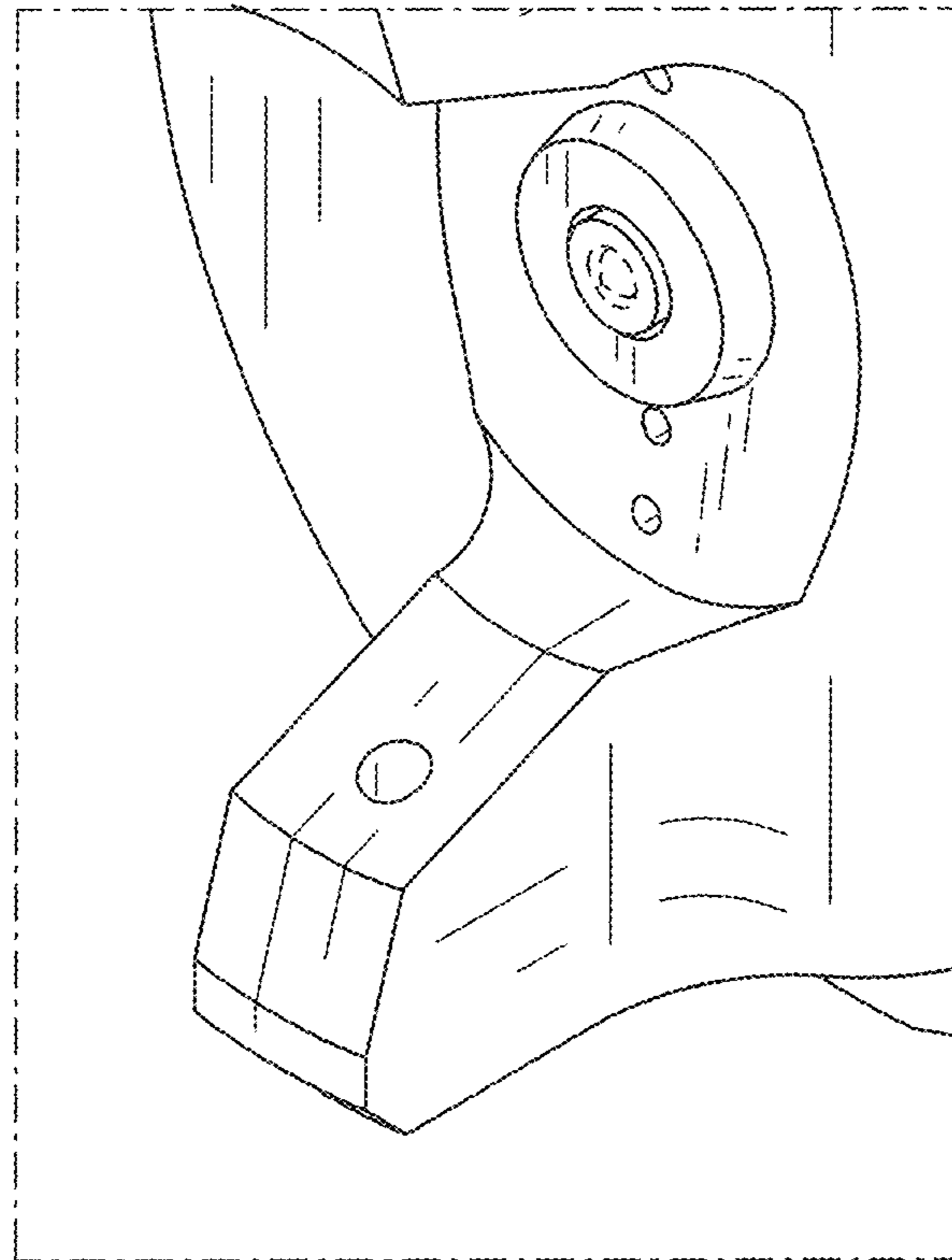


FIG. 9

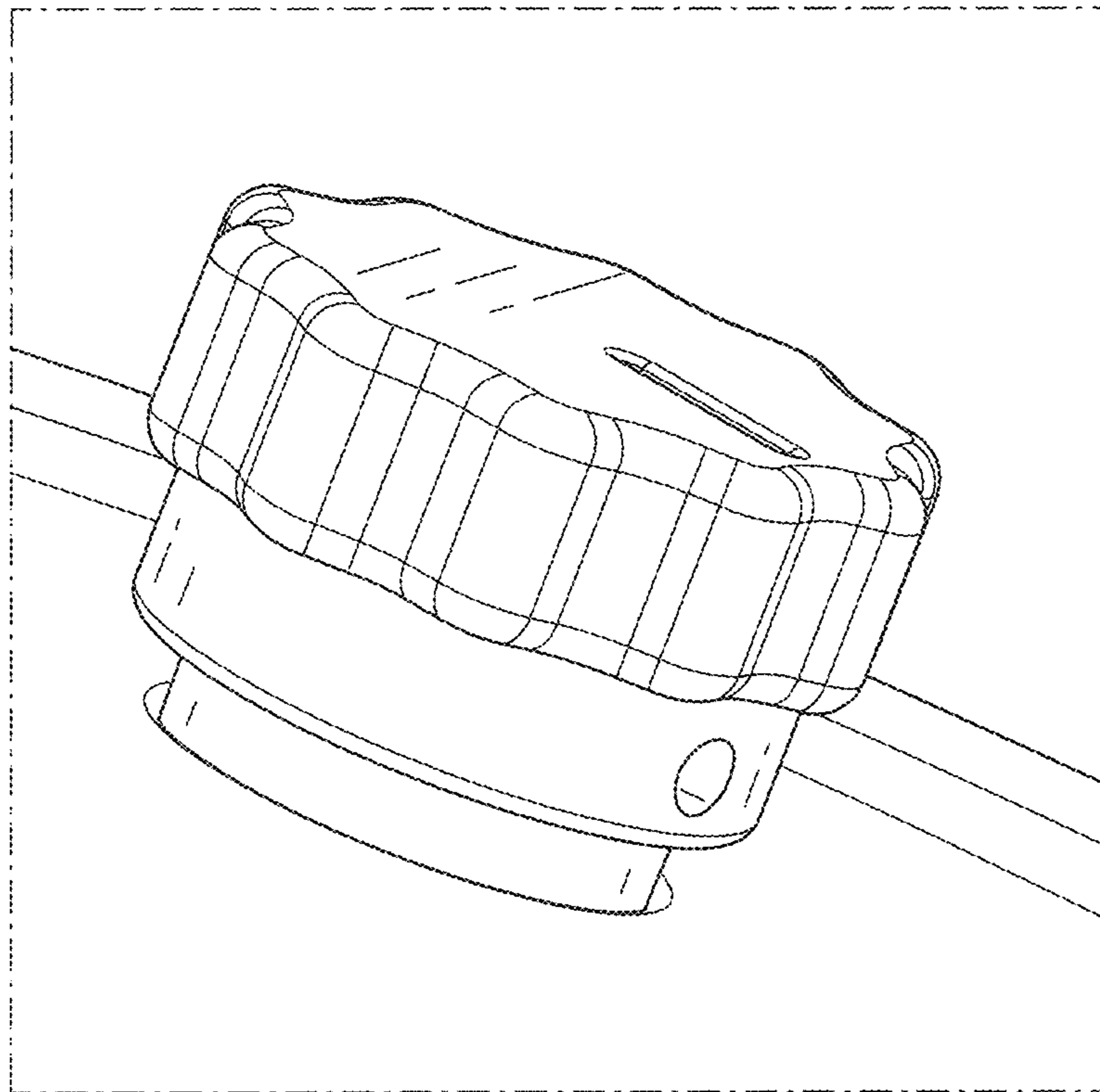


FIG. 10

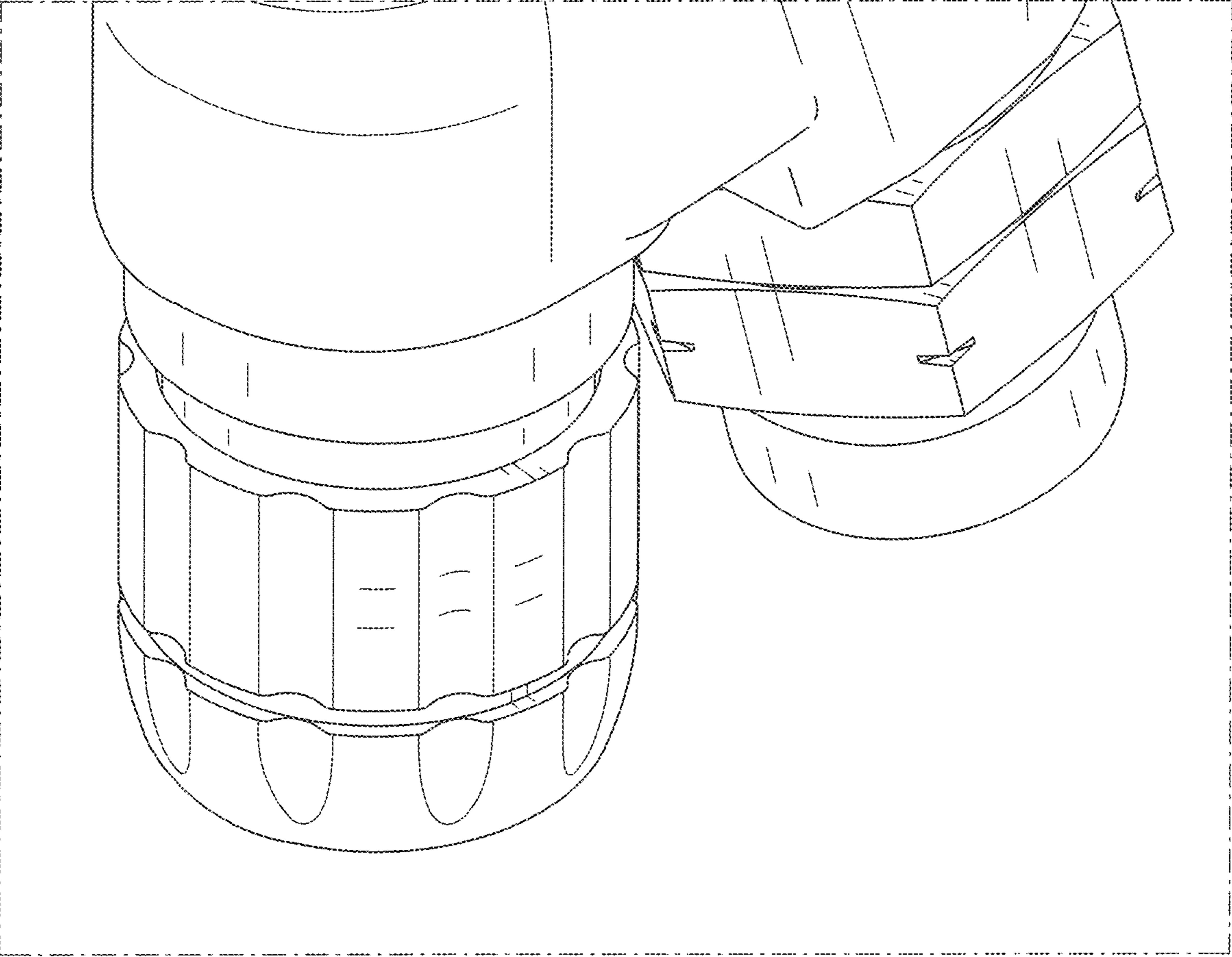


FIG. 11

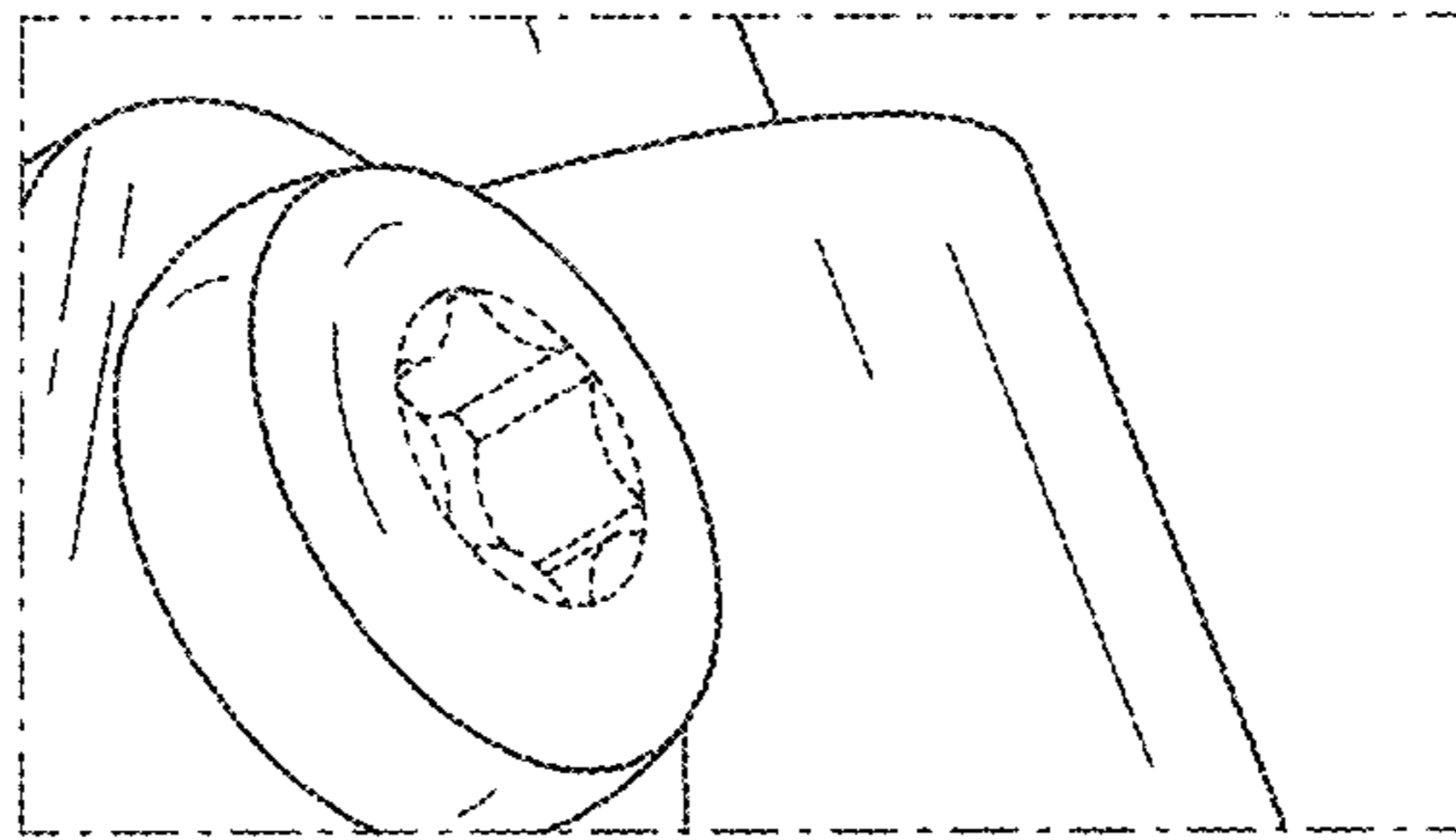


FIG. 12

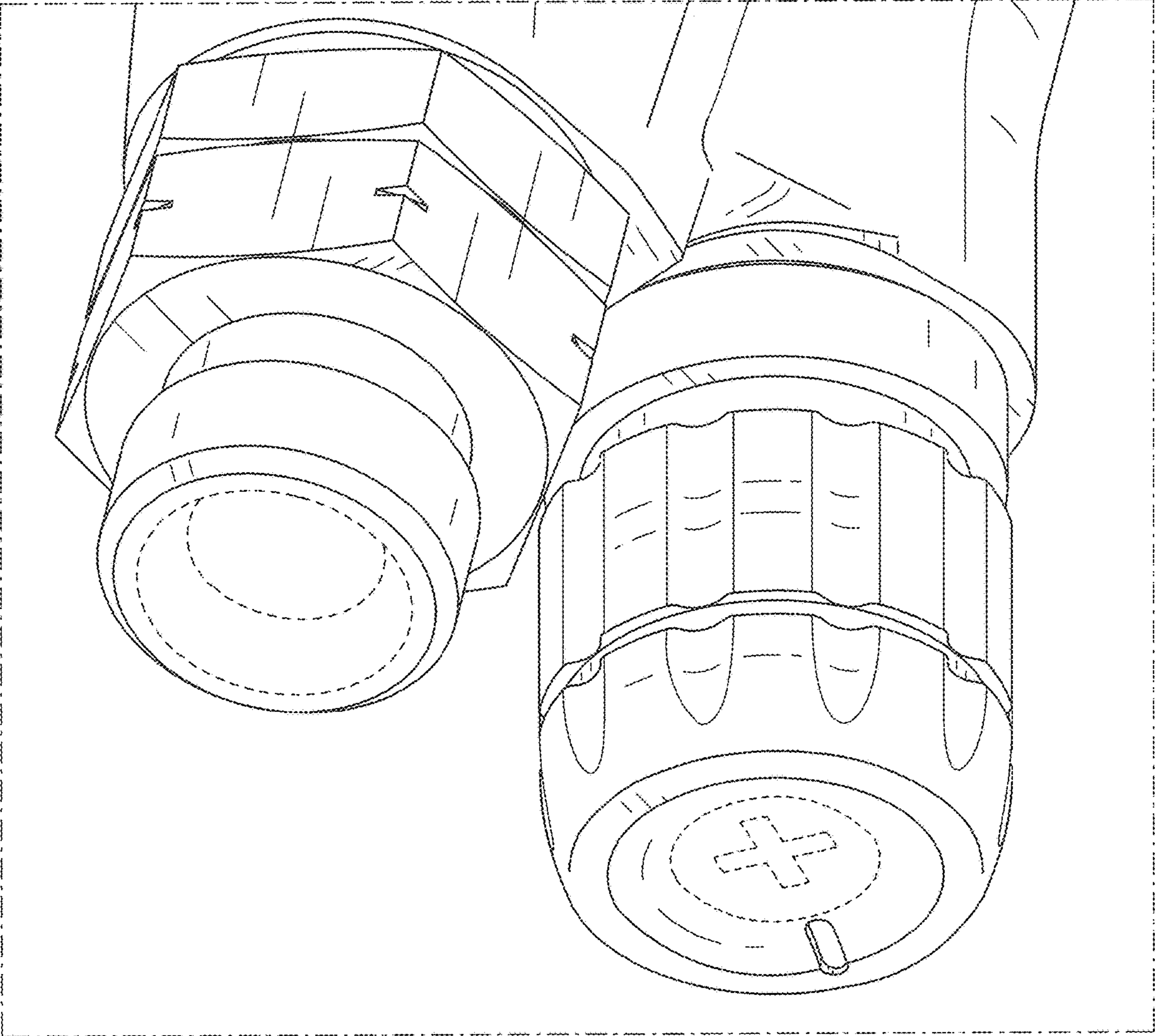


FIG. 13