



US00D943708S

(12) **United States Design Patent** (10) **Patent No.:** **US D943,708 S**
Eshelman (45) **Date of Patent:** **** Feb. 15, 2022**

(54) **WASTEWATER ATOMIZATION NOZZLE**

FOREIGN PATENT DOCUMENTS

(71) Applicant: **WATER EVAPORATION SYSTEMS, LLC**, Conroe, TX (US)

EP 1486257 A2 * 12/2004 B05B 1/262

(72) Inventor: **Bruce Eshelman**, Montgomery, TX (US)

OTHER PUBLICATIONS

(73) Assignee: **WATER EVAPORATION SYSTEMS, LLC**, Conroe, TX (US)

NAVADEAL 1/2" Stainless Steel Spiral Cone Atomization Nozzle, Mar. 30, 2019, Amazon.com, Sep. 21, 2021, URL: <https://www.amazon.com/NAVA-Stainless-Spiral-Atomization-Industrial/dp/B00MHNEJXW> (Year: 2019).*

(**) Term: **15 Years**

(Continued)

(21) Appl. No.: **29/737,486**

Primary Examiner — Jack Reickel

(22) Filed: **Jun. 9, 2020**

Assistant Examiner — Keith J Wilson

(51) **LOC (13) Cl.** **23-01**

(74) *Attorney, Agent, or Firm* — Basil M. Angelo; Angelo IP

(52) **U.S. Cl.**

USPC **D23/213**

(58) **Field of Classification Search**

USPC D23/213, 214, 215, 222, 223, 224, 226, D23/229, 230

CPC A61H 9/0021; A61H 33/00; B05B 1/00; B05B 1/14; B05B 1/185; B05B 1/08; B05B 1/02; B05B 1/26; B05B 12/002; B05B 1/18; B05B 9/01

See application file for complete search history.

(57) **CLAIM**

The ornamental design for a wastewater atomization nozzle, as shown and described.

DESCRIPTION

FIG. 1 shows a front-facing perspective view of a wastewater atomization nozzle showing my new design; FIG. 2 shows a rear-facing perspective view thereof; FIG. 3 shows a top plan view thereof; FIG. 4 shows a bottom plan view thereof; FIG. 5 shows a front elevation view thereof; FIG. 6 shows a rear elevation view thereof; FIG. 7 shows a left-side elevation view thereof; FIG. 8 shows a right-side elevation view thereof; and, FIG. 9 shows an environmental view of a wastewater atomization nozzle as part of a wastewater exhaust manifold for a wastewater evaporation system. FIG. 1-8 broken lines represent portions of a wastewater atomization nozzle and FIG. 9 shows both environmental broken line and portions of a wastewater atomization nozzle. All broken lines form no part of the claimed design.

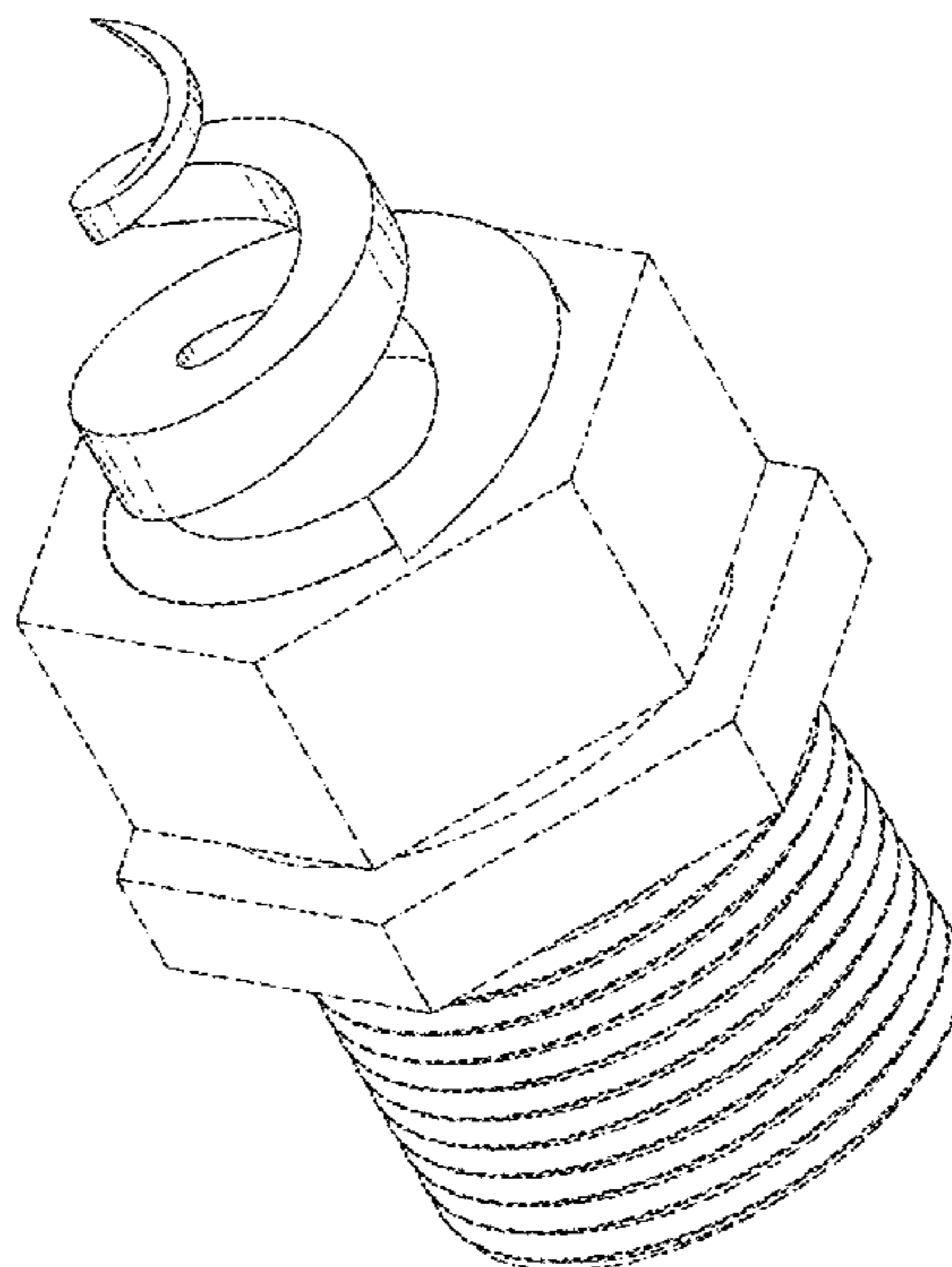
(56) **References Cited**

U.S. PATENT DOCUMENTS

4,650,567 A * 3/1987 McGarry B03D 1/1462
209/166
D441,141 S * 4/2001 Shalita D24/119
6,936,140 B2 8/2005 Paxton et al.
D535,721 S * 1/2007 Ford D23/213
D762,852 S * 8/2016 Thouement D24/133
D817,446 S * 5/2018 Kinzel D23/231
D887,269 S * 6/2020 Marik D9/453
D888,890 S * 6/2020 Hamlin D23/213
D904,564 S * 12/2020 Villeneuve D23/213
D911,489 S * 2/2021 Spooner D23/213
D912,201 S * 3/2021 Arenson D23/213

(Continued)

1 Claim, 5 Drawing Sheets



(56)

References Cited

U.S. PATENT DOCUMENTS

2006/0000355 A1 1/2006 Ogura et al.
 2008/0234723 A1* 9/2008 Buiser A61B 17/1215
 606/200
 2011/0295305 A1* 12/2011 Morero A61B 17/221
 606/200
 2011/0319906 A1* 12/2011 Rudakov A61B 17/12109
 606/127
 2014/0239095 A1* 8/2014 Short B05B 1/14
 239/404
 2014/0243803 A1* 8/2014 Besse A61B 17/122
 606/1
 2014/0243885 A1* 8/2014 Eckhouse A61B 17/221
 606/200
 2015/0157953 A1 6/2015 Duesel, Jr. et al.

OTHER PUBLICATIONS

Sourcingmap 1/4BSP Male Thread 316L Stainless Steel Spiral Cone Atomized Nozzle, Jan. 3, 2018, Amazon.com, Sep. 21, 2021, URL: <https://www.amazon.co.uk/sourcingmap-Thread-Stainless-Spiral-Atomized/dp/B078S3FDTH> (Year: 2018).*

Beduan 1/2" Male Spiral Cone Atomization Nozzle, Nov. 8, 2019, amazon.com, Nov. 23, 2021 <https://www.amazon.com/dp/B07LGP6S9T> (Year: 2019).*

MroMax 1/2BSPT Male Thread 316 Stainless Steel Spiral Cone Atomized Nozzle, Dec. 8, 2019, amazon.com, Nov. 23, 2021 <https://www.amazon.com/MroMax-Thread-Stainless-Spiral-Atomized/dp/B082SMB9MV> (Year: 2019).*

Unknown author, Gas Fuel Metering Valve AGV10 for Light Industrial Gas Turbines, date of publication unknown, obtained from <http://continentalcontrols.com/temp/literature/pdf/AGV%2010%20Revised.pdf> on Jun. 8, 2020.

Unknown author, Solar Turbines Incorporated, Solar Saturn Gas Turbine Generator Drive Application Control Package, date of publication unknown, obtained from <https://petrotechinc.com/literature-library-files/gas-steam-turbines/solar-saturn-generator.pdf> on Jun. 8, 2020.

Unknown author, Solar Turbines Incorporated, Turbomachinery Package Specification Saturn 20 Compressor Set and Mechanical Drive, 2009, obtained from <https://pdf.directindustry.com/pdf/solar-turbines/saturn-20-cs-md-turbomachinery-package-specification/22650-199745.html> on Jun. 8, 2020.

Unknown author, United States Environmental Protection Agency, Summary of Input on Oil and Gas Extraction Wastewater Management Practices Under the Clean Water Act, EPA-821-S19-001, May 2020, obtained from <https://www.epa.gov/sites/production/files/2020-05/documents/oil-gas-final-report-2020.pdf> on Jun. 8, 2020.

Unknown author, Valve Automation, Pneumatic Actuator HP-Series, date of publication unknown, obtained from <https://www.meerza.com.my/wp-content/uploads/2016/08/HP-Catalog.pdf> on Jun. 8, 2020.

Applicant reply to USPTO office action of Jul. 28, 2020 in U.S. Appl. No. 16/896,977, filed Jun. 9, 2020, reply filed on Oct. 22, 2020.

USPTO notice of allowance in U.S. Appl. No. 16/896,977, filed Jun. 9, 2020, dated Oct. 30, 2020.

U.S. Appl. No. 16/896,977, filed Jun. 9, 2020, Bruce Eshelman.

USPTO non-final office action issued in U.S. Appl. No. 16/896,977, filed Jun. 9, 2020, dated Jul. 28, 2020.

PCT International Search Report of the International Search Authority (USPTO) for PCT/US2021/035910, filed on Jun. 4, 2021, dated Jul. 2, 2021.

PCT Written Opinion of the International Search Authority (USPTO) for PCT/US2021/035910, filed on Jun. 4, 2021, dated Jul. 2, 2021.

* cited by examiner

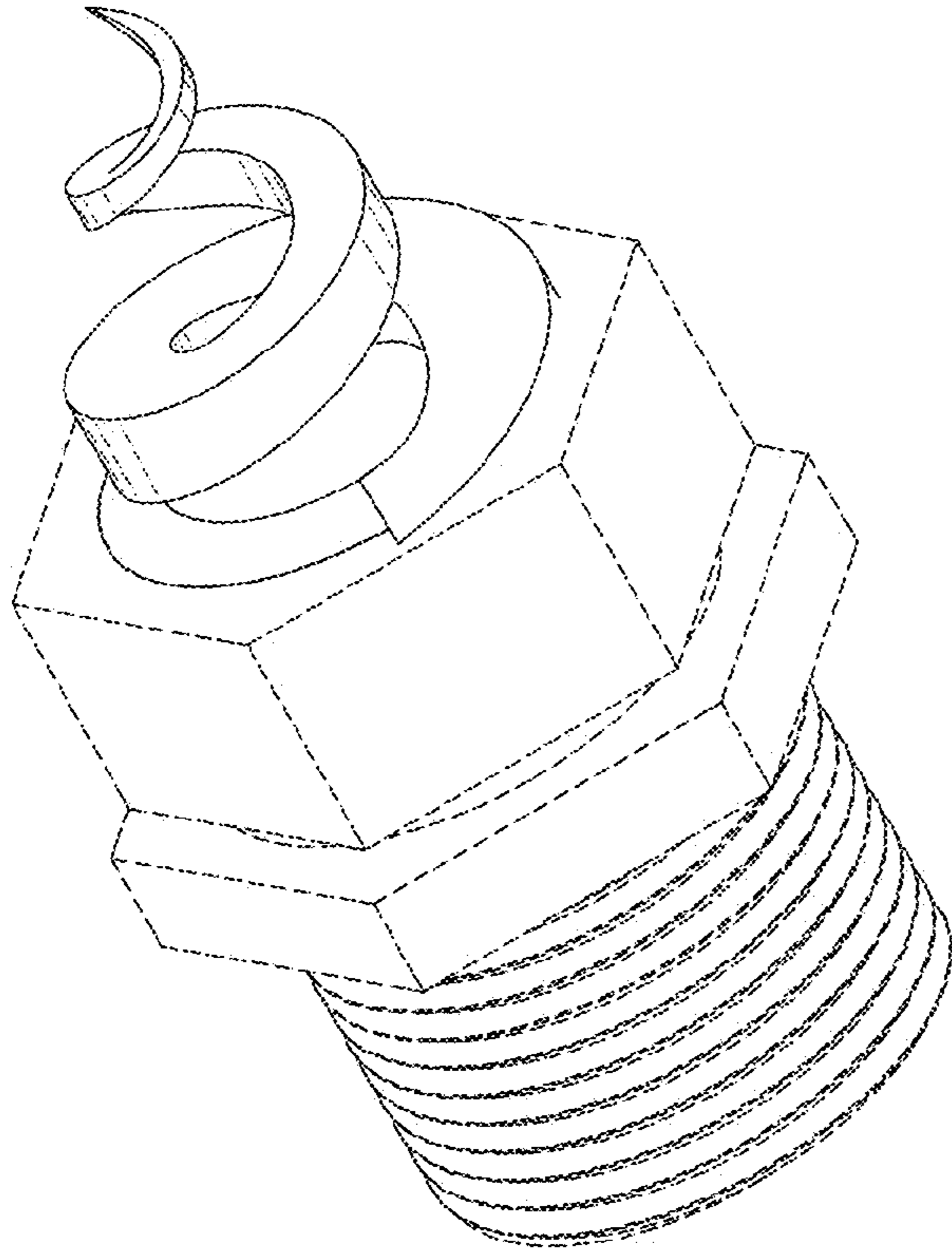


FIG. 1

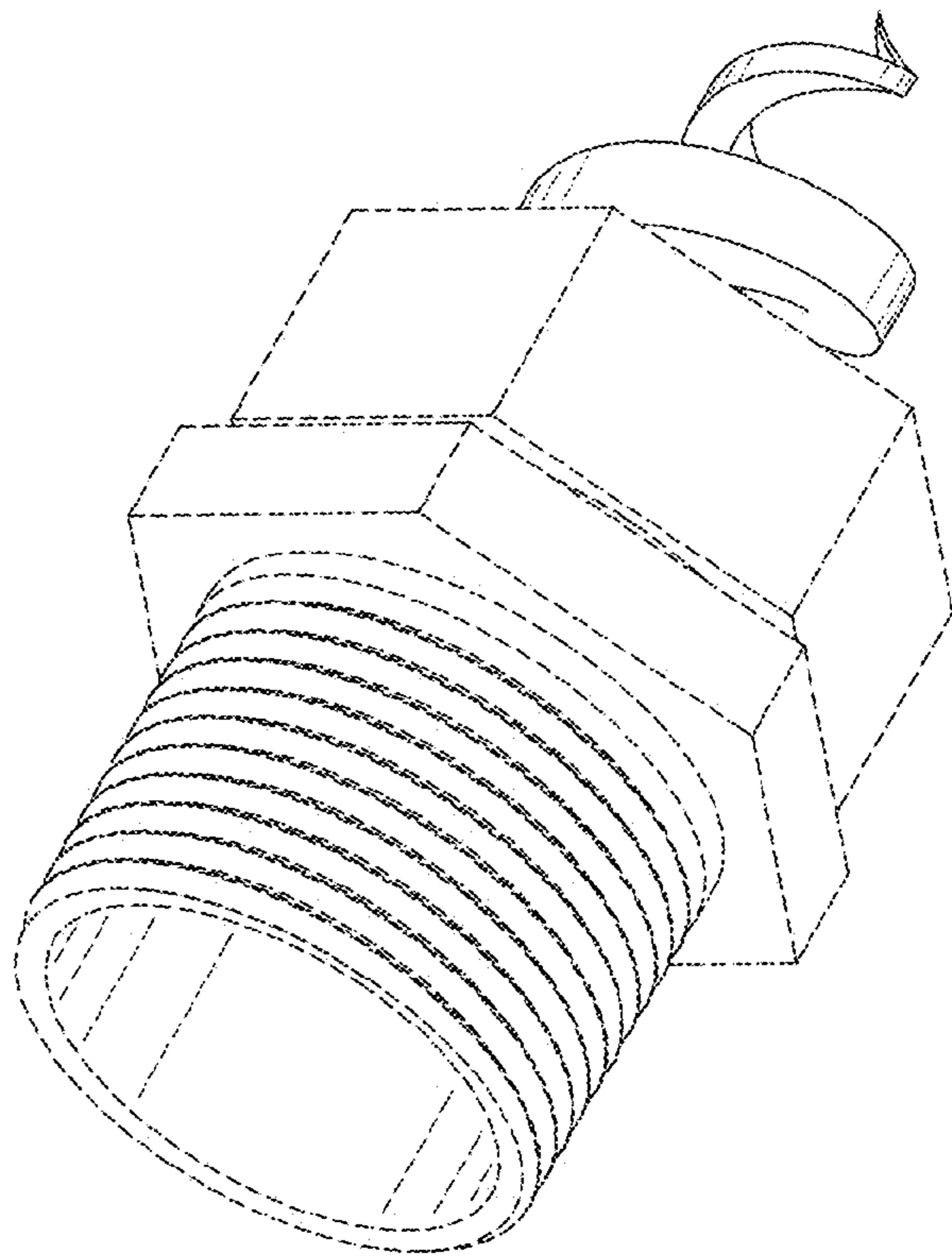


FIG. 2

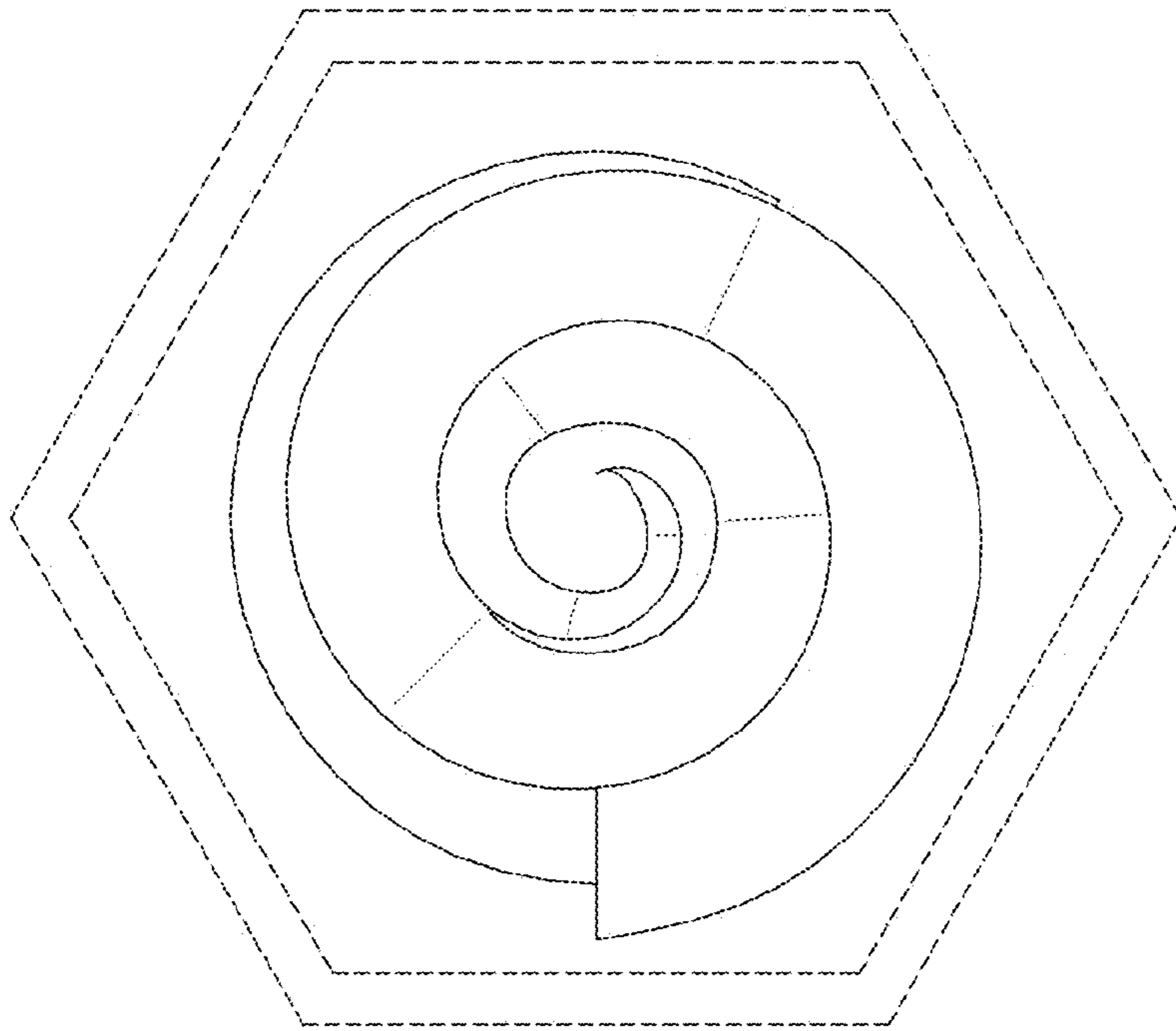


FIG. 3

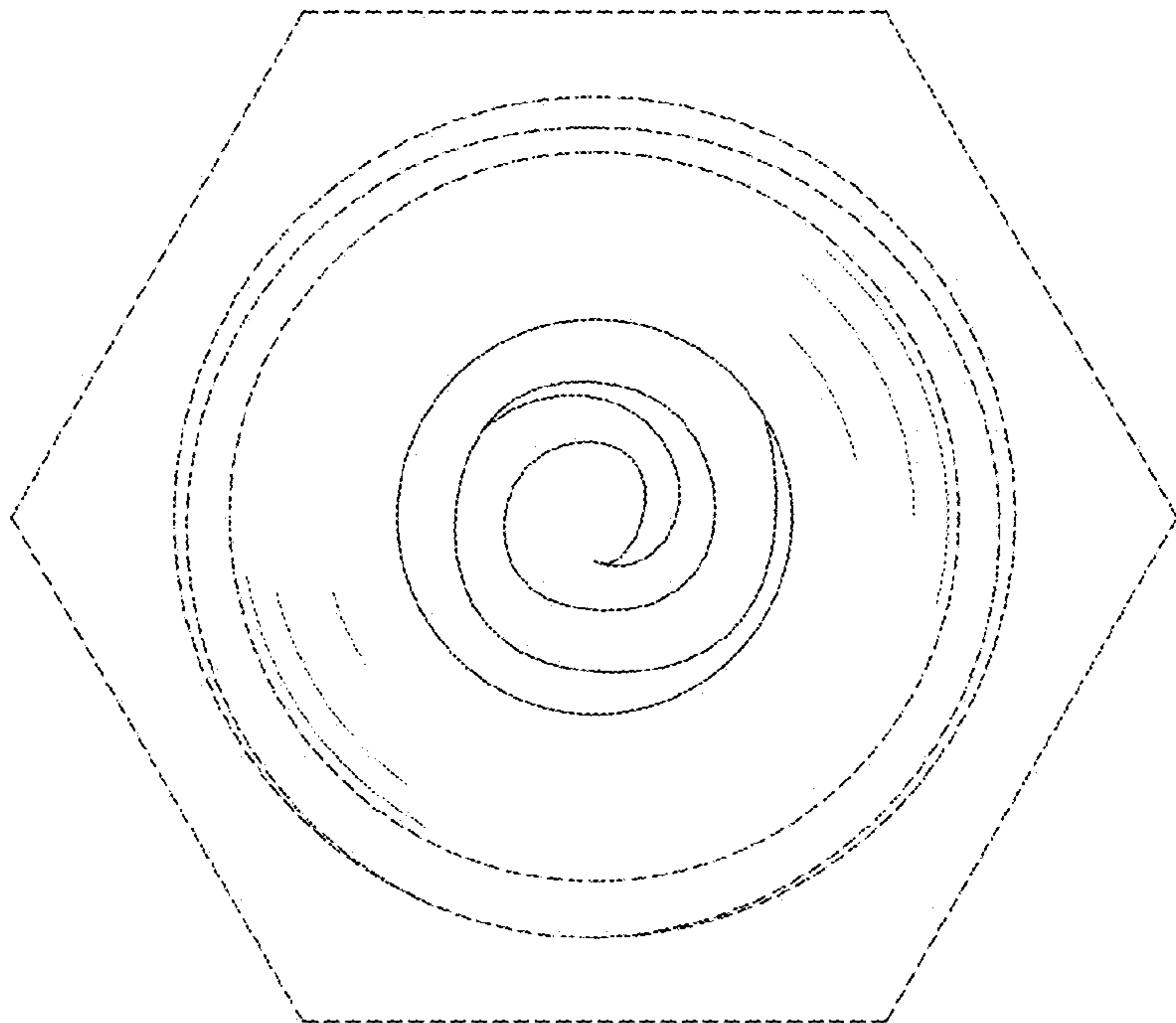


FIG. 4

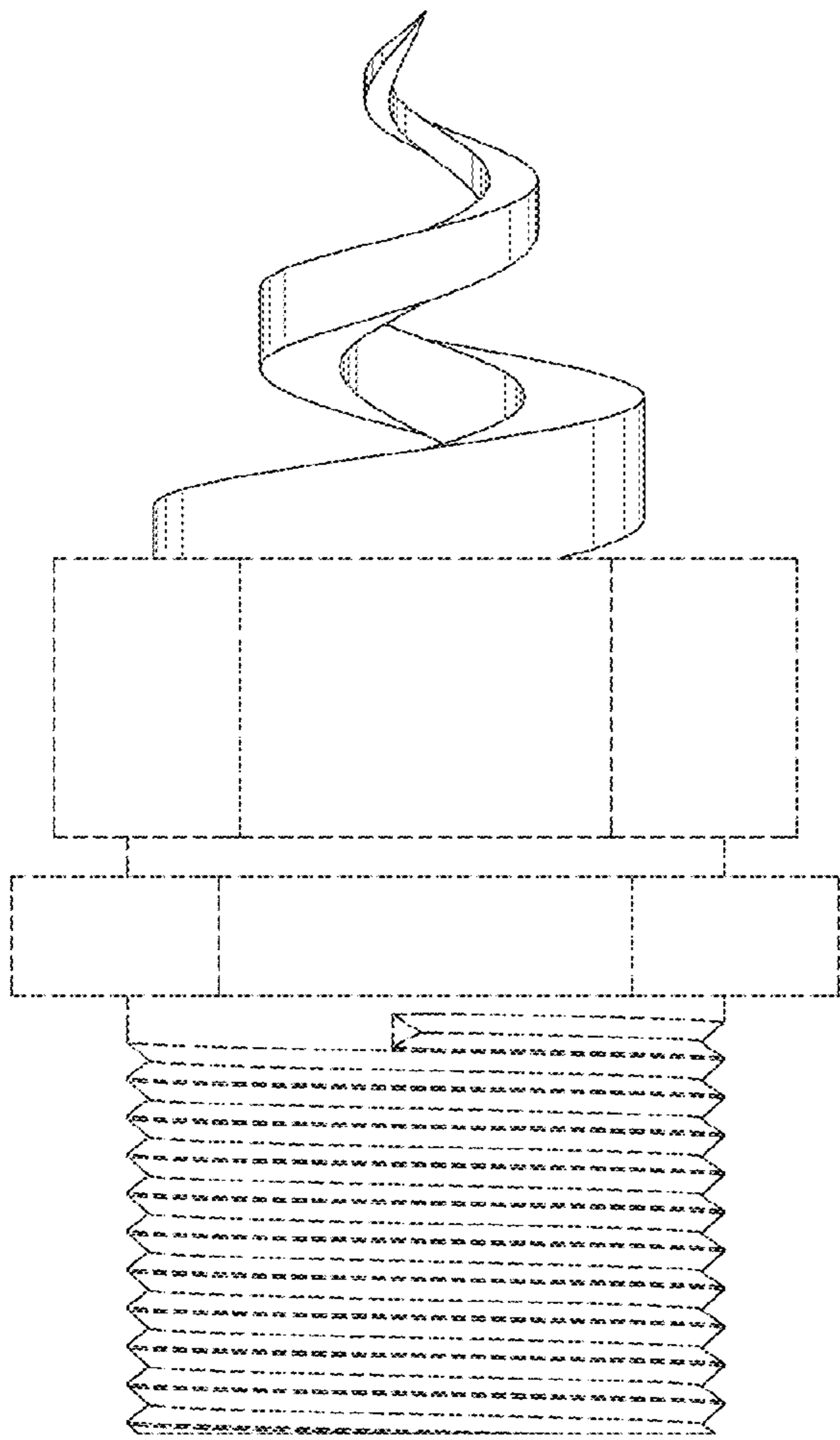


FIG. 5

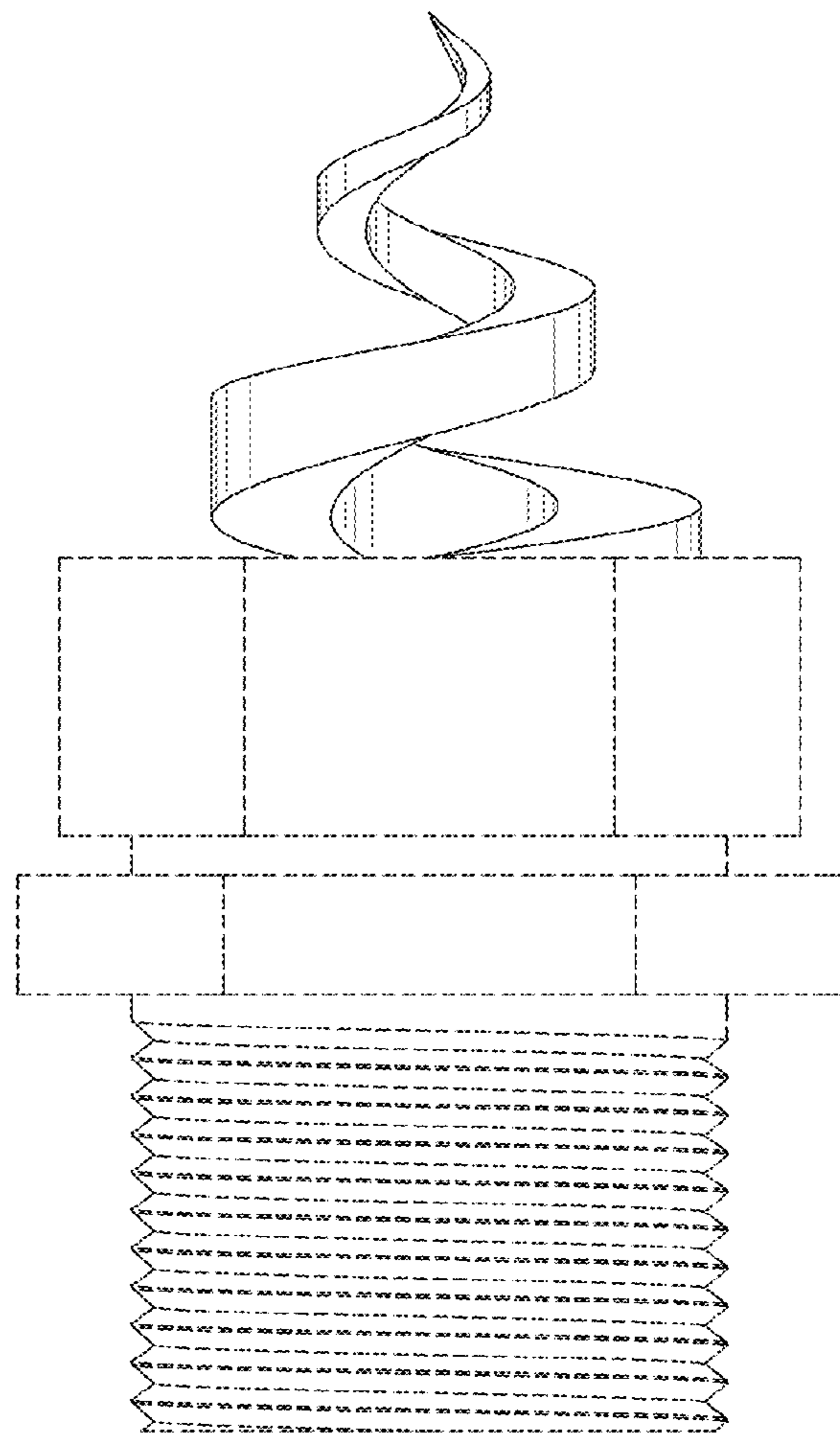


FIG. 6

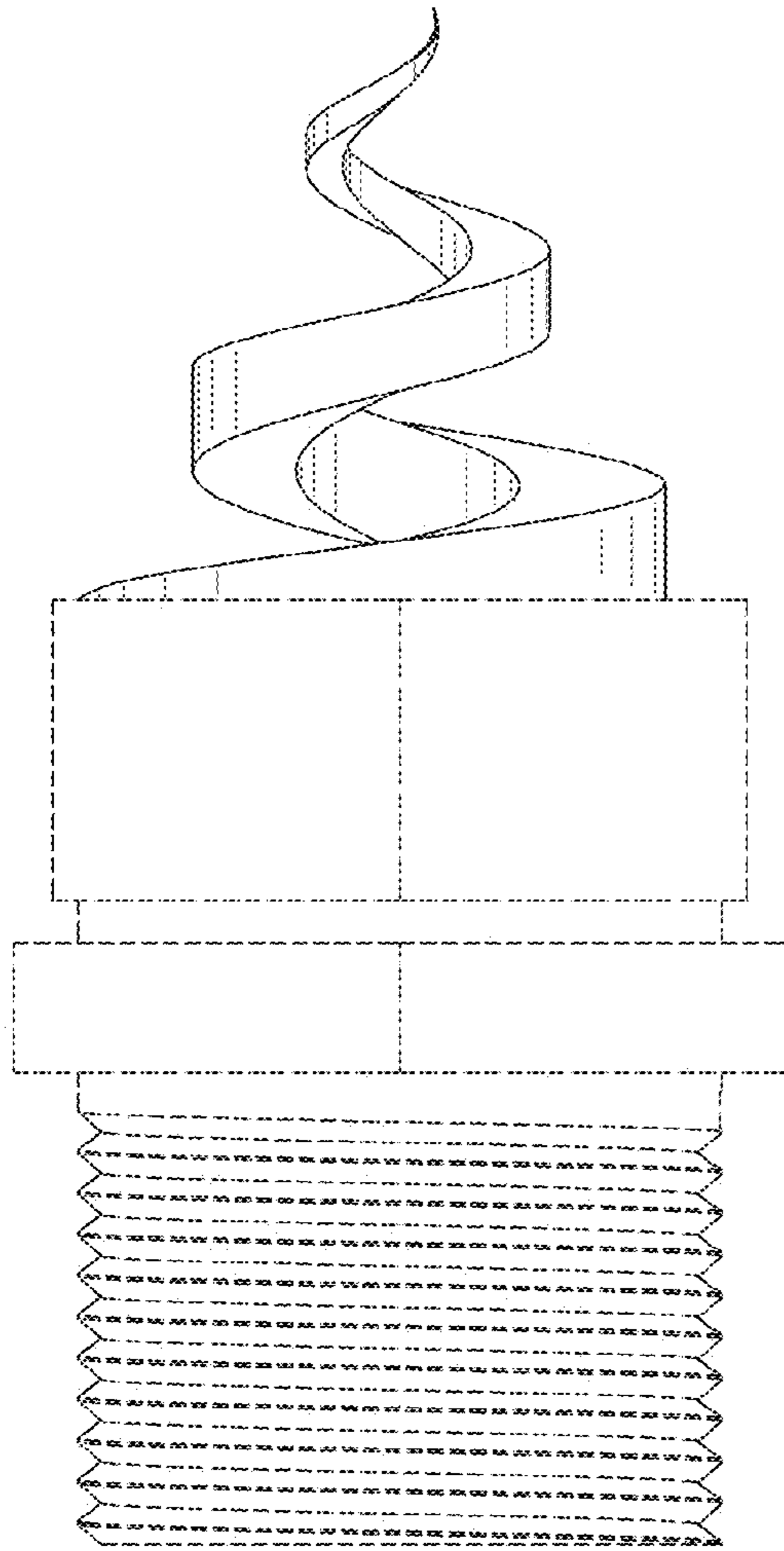


FIG. 7

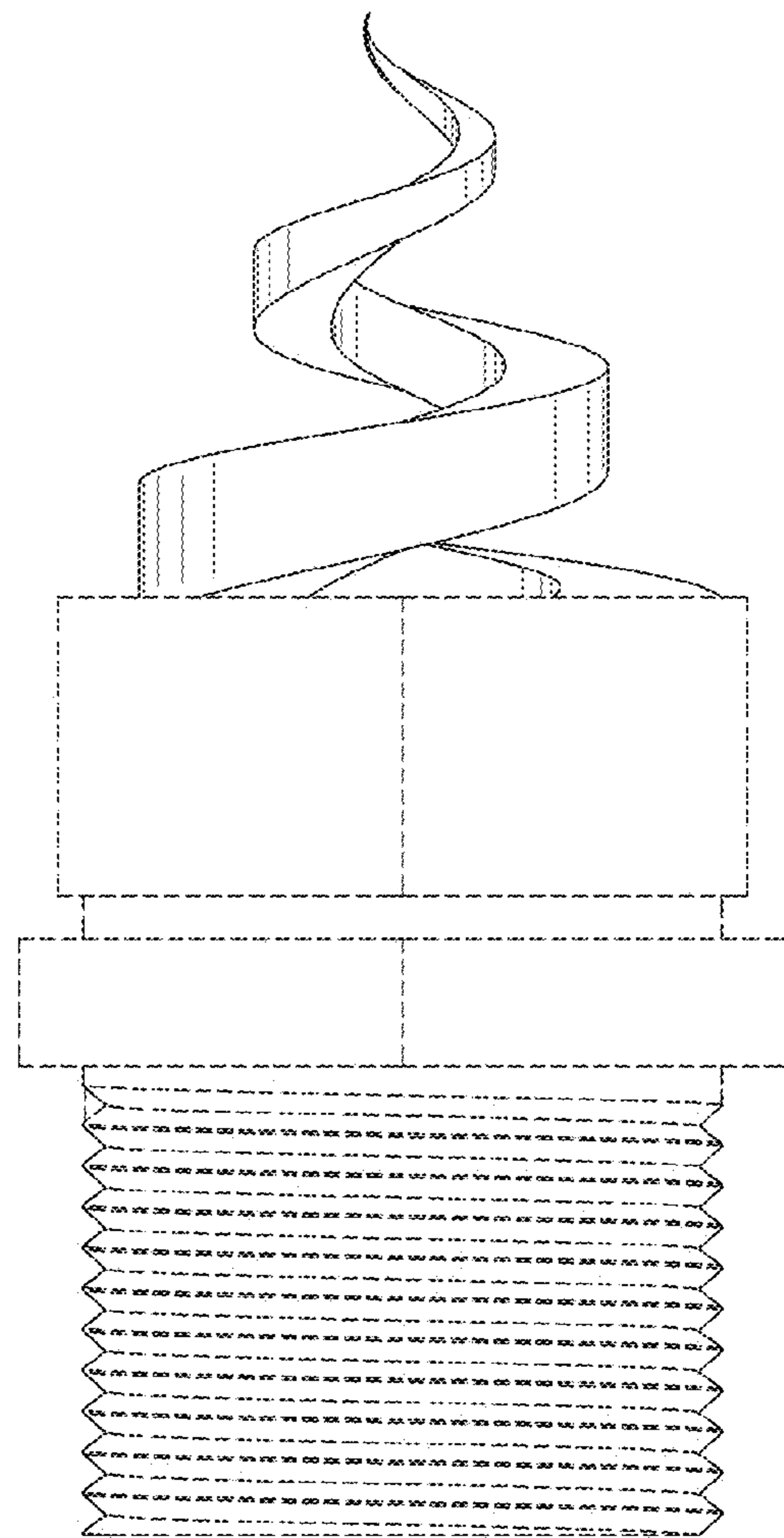


FIG. 8

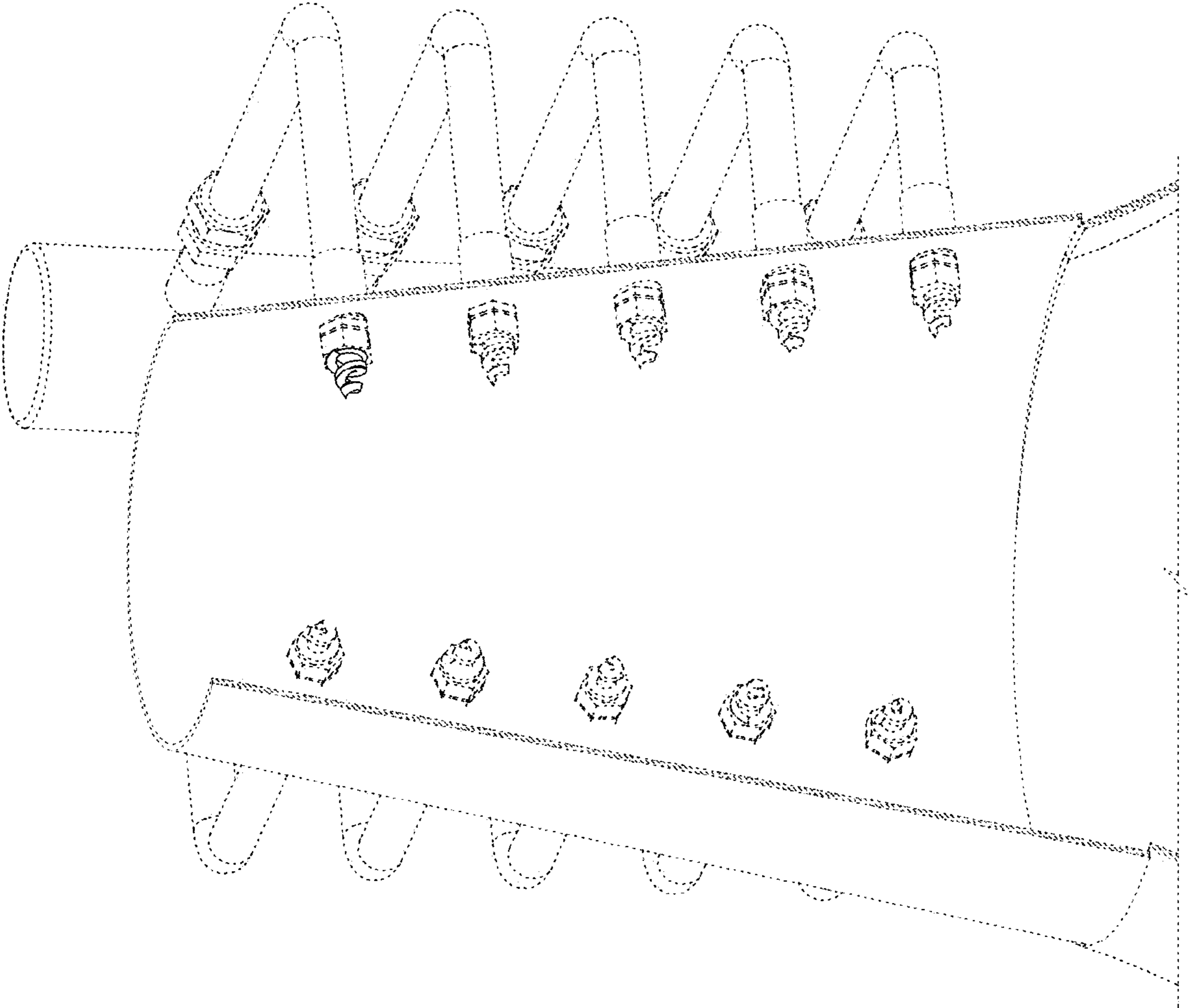


FIG. 9