



US00D943707S

(12) **United States Design Patent** (10) **Patent No.:** **US D943,707 S**
Du (45) **Date of Patent:** **** Feb. 15, 2022**

(54) **FILTER**
(71) Applicant: **Tianjin Bright Sight Commerce Co., Ltd.**, Tianjin (CN)
(72) Inventor: **Zhigang Du**, Tianjin (CN)
(**) Term: **15 Years**
(21) Appl. No.: **29/716,010**
(22) Filed: **Dec. 5, 2019**
(30) **Foreign Application Priority Data**
Oct. 25, 2019 (CN) 201930584809.7
(51) **LOC (13) Cl.** **23-01**
(52) **U.S. Cl.**
USPC **D23/209**
(58) **Field of Classification Search**
USPC D23/206, 207, 209, 213, 359, 365;
D24/162, 210, 348, 650
CPC .. B01D 2201/30; B01D 35/153; B01D 36/02;
C02F 1/002; C02F 1/003
See application file for complete search history.

(56) **References Cited**
U.S. PATENT DOCUMENTS
D562,430 S * 2/2008 Slawomir D23/209
D565,149 S * 3/2008 Slawomir D23/209
D565,694 S * 4/2008 Slawomir D23/209
D566,808 S * 4/2008 Slawomir D23/209
D831,786 S * 10/2018 Zou D23/209
D857,158 S * 8/2019 Zou D23/209
D857,840 S * 8/2019 Lu D23/209

D865,119 S * 10/2019 An D23/209
D883,428 S * 5/2020 Zou D23/209
D886,941 S * 6/2020 Zou D23/209
D892,974 S * 8/2020 Allen D23/209
D894,329 S * 8/2020 Qiang D23/209
D894,336 S * 8/2020 Huaping D23/209
D894,337 S * 8/2020 Huaping D23/209
D895,061 S * 9/2020 Zou D23/209
D896,342 S * 9/2020 Wei D23/209
D899,563 S * 10/2020 Wei D23/209
D913,416 S * 3/2021 Qiang D23/209

FOREIGN PATENT DOCUMENTS

IL 46740 * 10/2008

* cited by examiner

Primary Examiner — Karen S Acker
Assistant Examiner — Jonathan E Fiencke
(74) *Attorney, Agent, or Firm* — Yanling Jiang

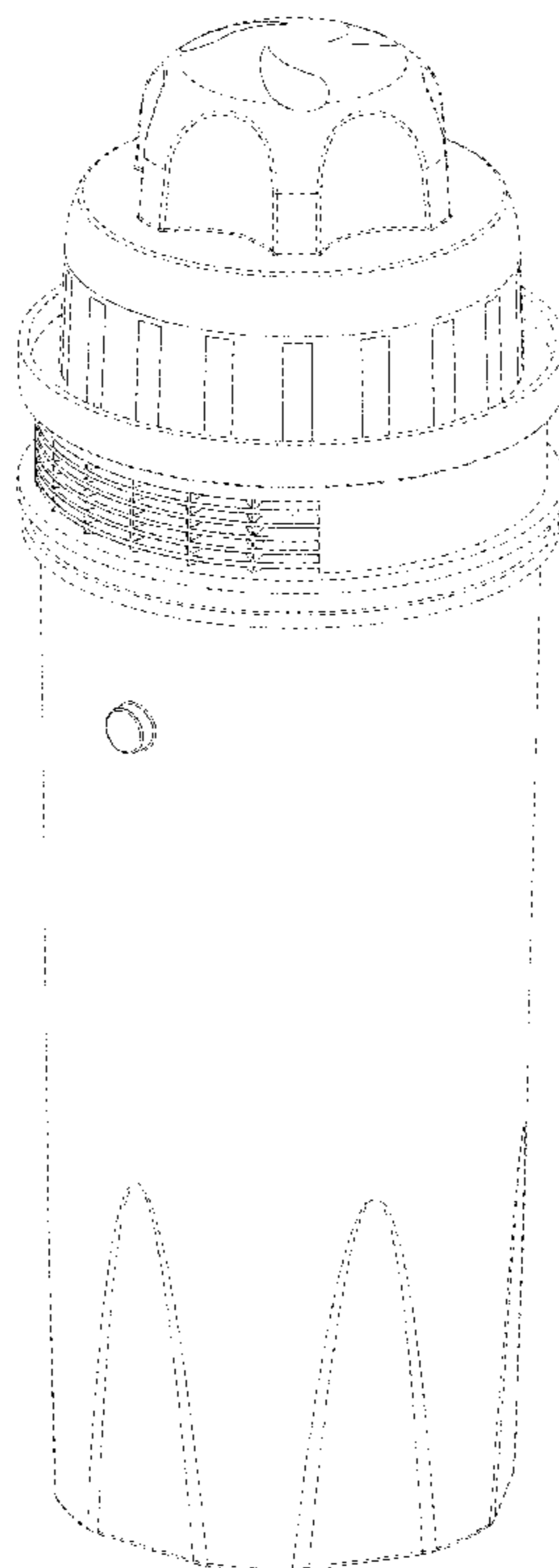
(57) **CLAIM**

The ornamental design for a filter, as shown and described.

DESCRIPTION

FIG. 1 is a top right perspective view showing filter, showing my new design;
FIG. 2 is a front elevation view thereof;
FIG. 3 is a rear elevation view thereof;
FIG. 4 is a top plan view thereof;
FIG. 5 is a bottom plan view thereof;
FIG. 6 is a side view thereof; and,
FIG. 7 is an opposite side view thereof.
The broken lines and all areas adjacent to solid lines depict portions of the filter that form no part of the claim.

1 Claim, 7 Drawing Sheets



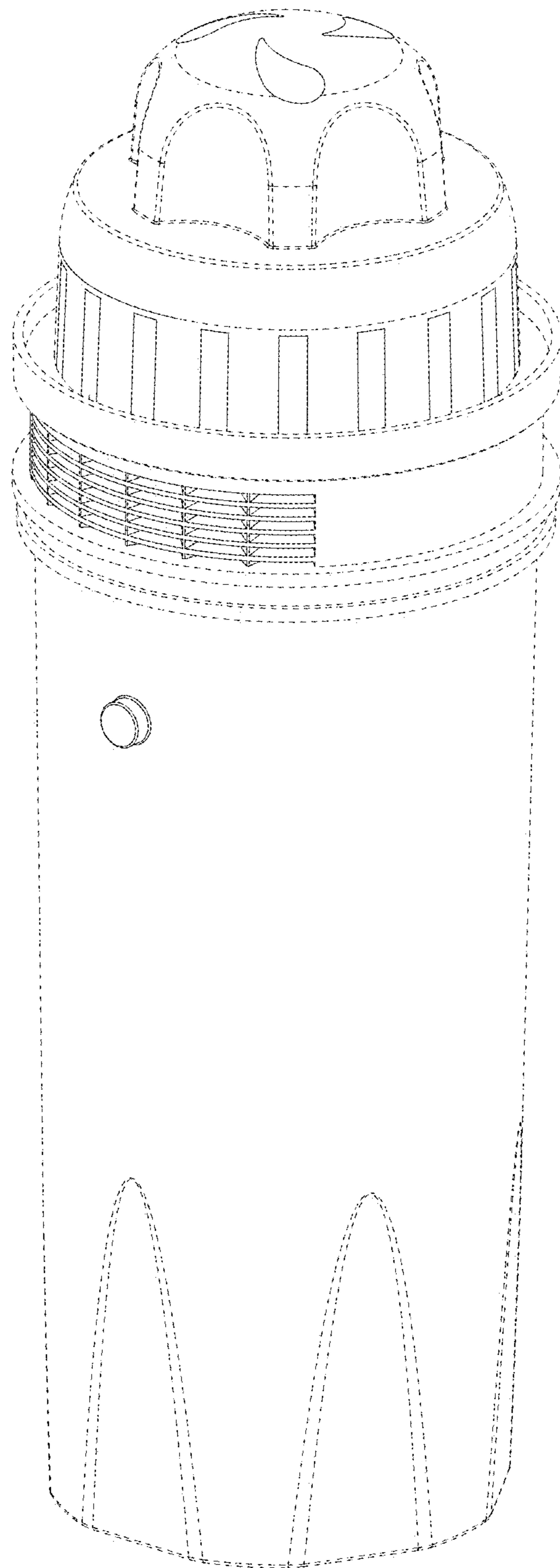


FIG. 1

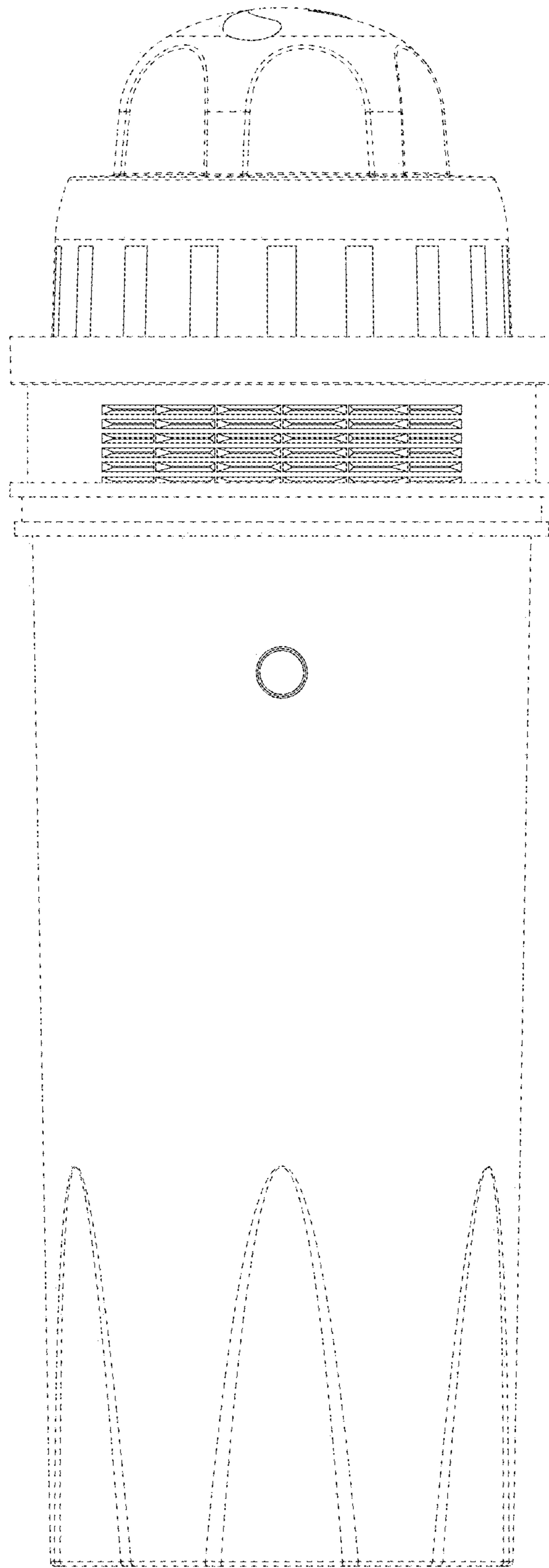


FIG. 2

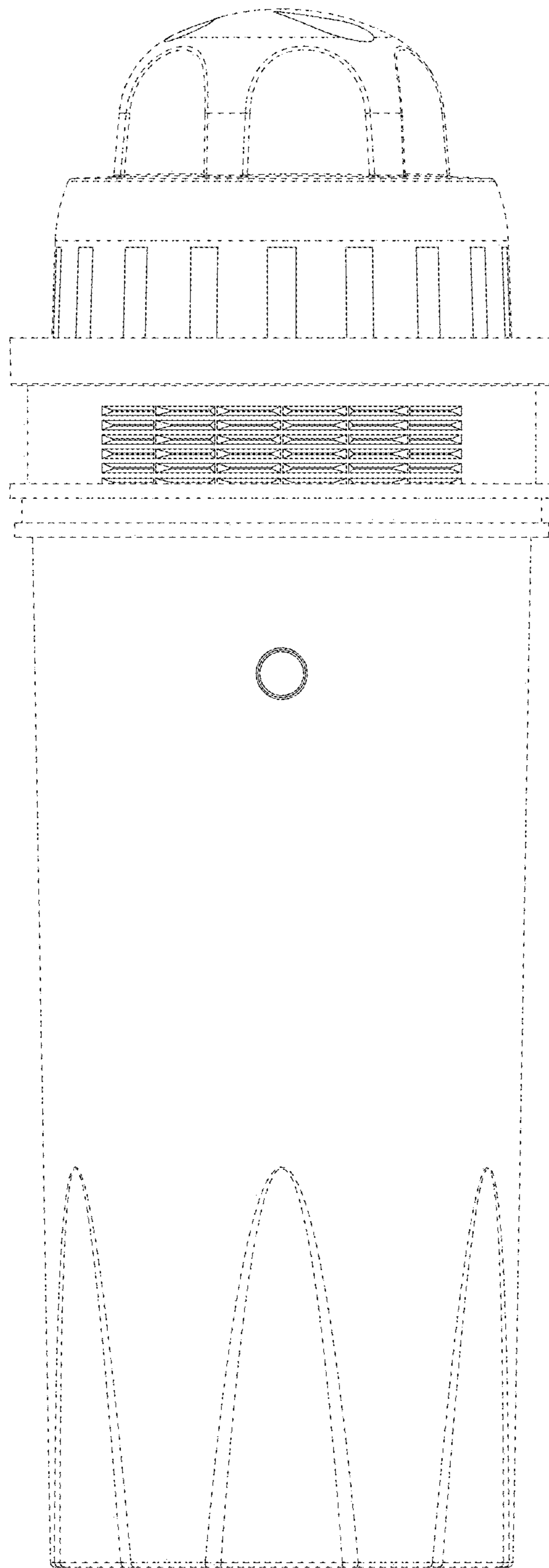


FIG. 3

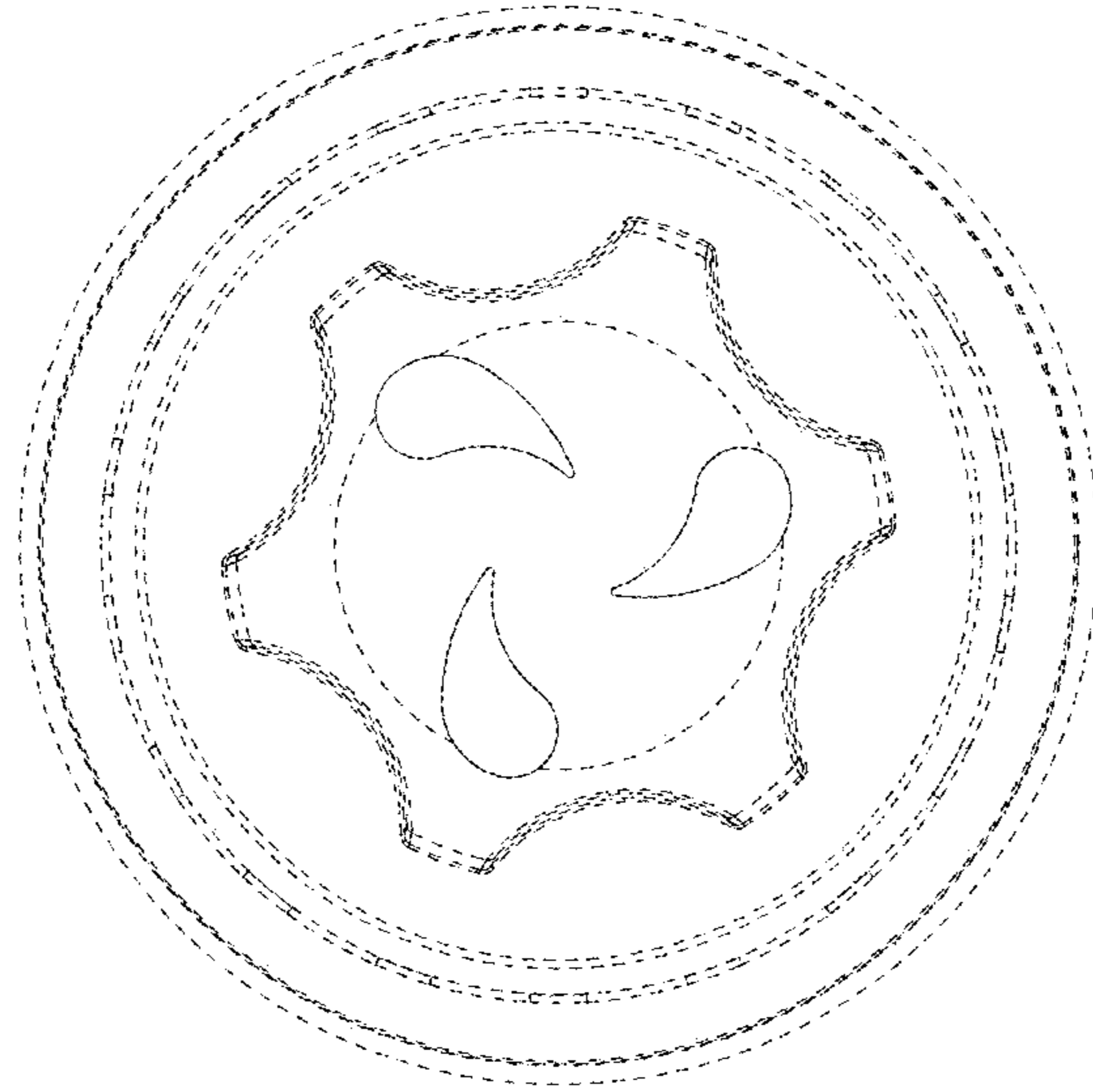


FIG. 4

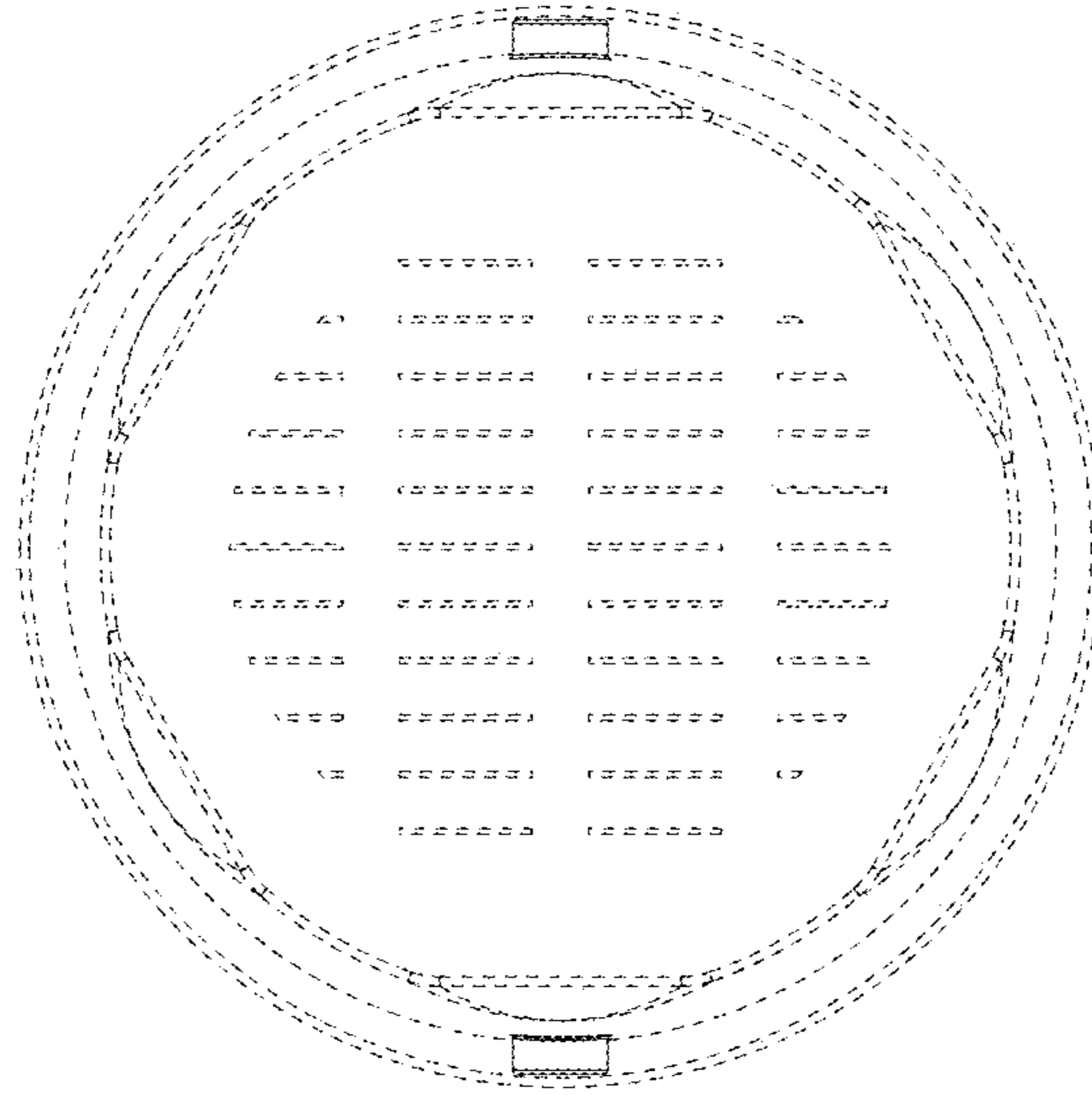


FIG. 5

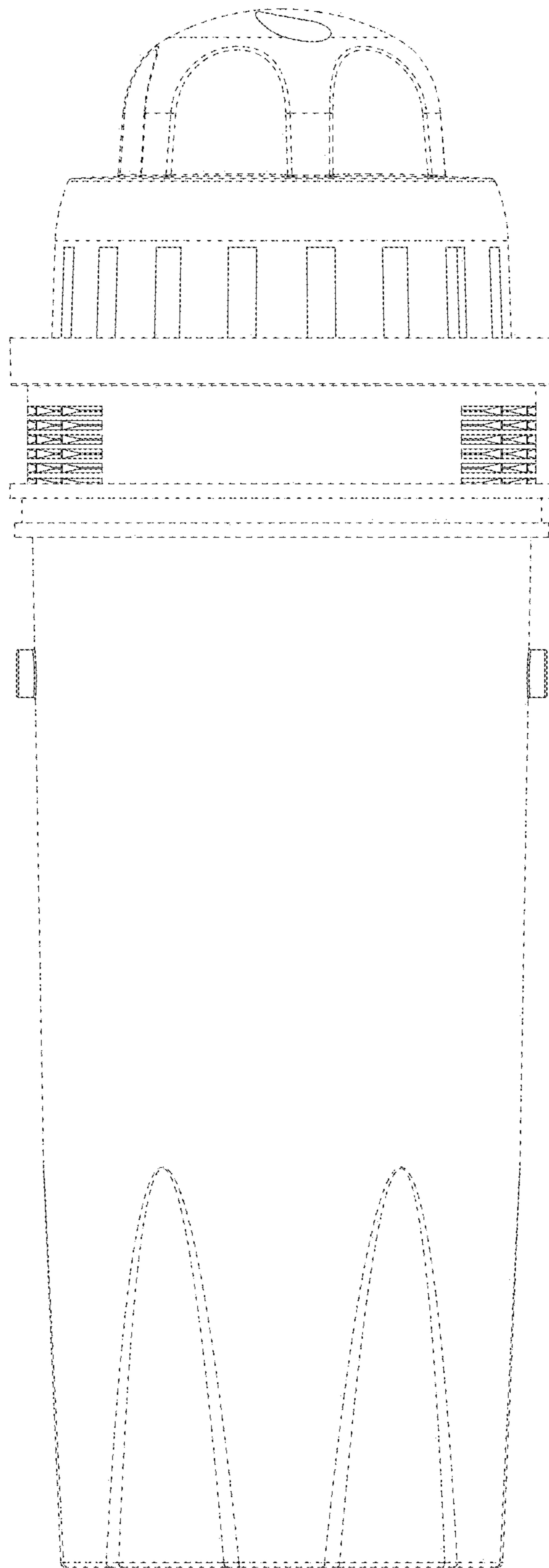


FIG. 6

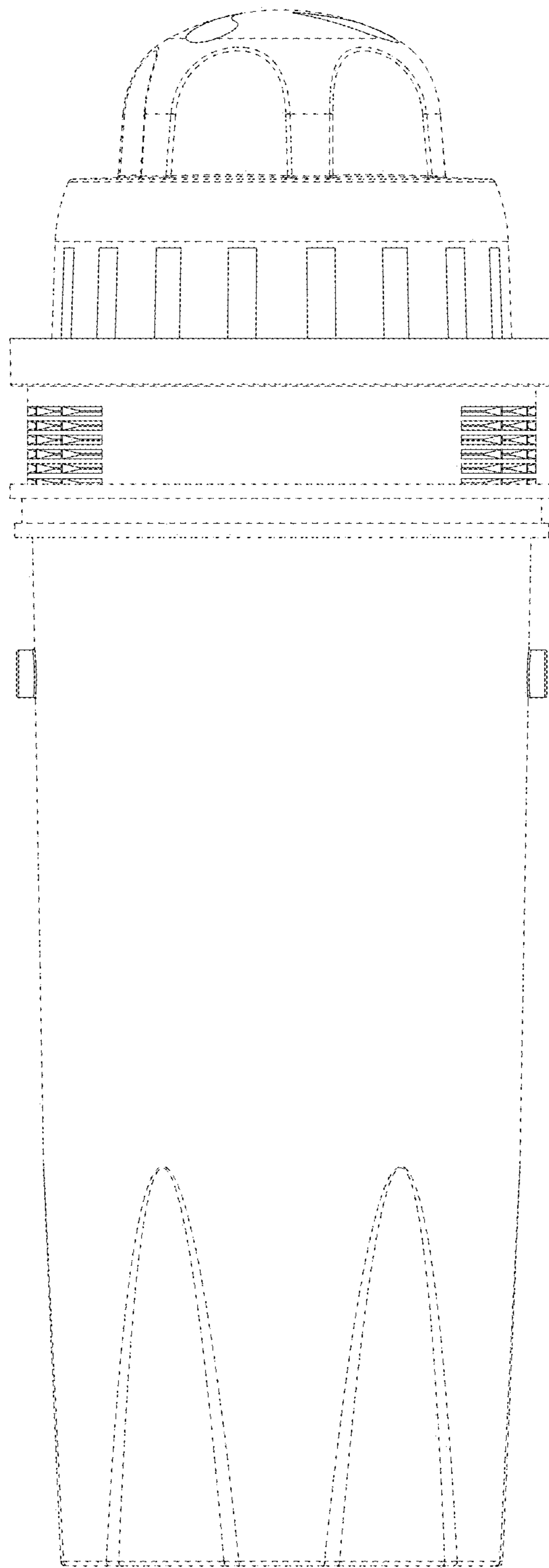


FIG. 7