



US00D943705S

(12) **United States Design Patent** (10) **Patent No.:** **US D943,705 S**  
**Atwell et al.** (45) **Date of Patent:** **\*\* Feb. 15, 2022**

(54) **WATER FILTER HOUSING**  
(71) Applicant: **CAMCO MANUFACTURING, INC.**,  
Greensboro, NC (US)  
(72) Inventors: **Jacob Christopher Atwell**, Greensboro,  
NC (US); **Casey Daniel Leonard**,  
Lexington, NC (US); **Jeffrey Robert**  
**Russell**, Winston Salem, NC (US)  
(73) Assignee: **Camco Manufacturing, LLC**,  
Greensboro, NC (US)  
(\*\*) Term: **15 Years**  
(21) Appl. No.: **29/723,701**  
(22) Filed: **Feb. 10, 2020**  
(51) **LOC (13) Cl.** ..... **23-01**  
(52) **U.S. Cl.**  
USPC ..... **D23/207**  
(58) **Field of Classification Search**  
USPC ..... D23/207, 208, 209, 210  
CPC ..... B01D 61/00; B01D 63/00; C02F 1/002;  
C02F 1/003; C02F 1/005; C02F 2307/02;  
C02F 2307/04; C02F 2307/06; C02F  
2307/10  
See application file for complete search history.

(56) **References Cited**  
U.S. PATENT DOCUMENTS  
D33,174 S \* 9/1900 Joinville ..... D23/209  
D254,145 S \* 2/1980 Wilcock ..... D23/209  
5,114,447 A \* 5/1992 Davis ..... B01D 39/2034  
55/485  
5,342,518 A \* 8/1994 Posner ..... B01D 29/114  
210/232  
5,464,532 A \* 11/1995 Nowlin ..... C02F 1/42  
210/190  
D410,274 S \* 5/1999 Bradshaw ..... D23/209  
6,280,619 B1 \* 8/2001 Lacy ..... B01D 24/001  
210/232  
D477,380 S \* 7/2003 Pitts ..... D23/207

D496,986 S \* 10/2004 King ..... D23/209  
D570,951 S \* 6/2008 Morita ..... D23/209  
D614,257 S \* 4/2010 Kojima ..... D23/200  
D706,901 S \* 6/2014 Hagen ..... D23/207  
D717,396 S \* 11/2014 Hammarback ..... D23/209  
8,876,945 B2 \* 11/2014 Taylor ..... B01D 63/025  
95/46

(Continued)

**OTHER PUBLICATIONS**

“Camco 40645”, Oct. 19, 2005, Amazon, site visited May 17, 2021:  
<https://www.amazon.com/dp/B000BUU5V8/> (Year: 2005).\*  
(Continued)

*Primary Examiner* — Jack Reickel  
*Assistant Examiner* — Bobby W Jones, II  
(74) *Attorney, Agent, or Firm* — Tuggle Duggins P.A.;  
Blake P. Hurt

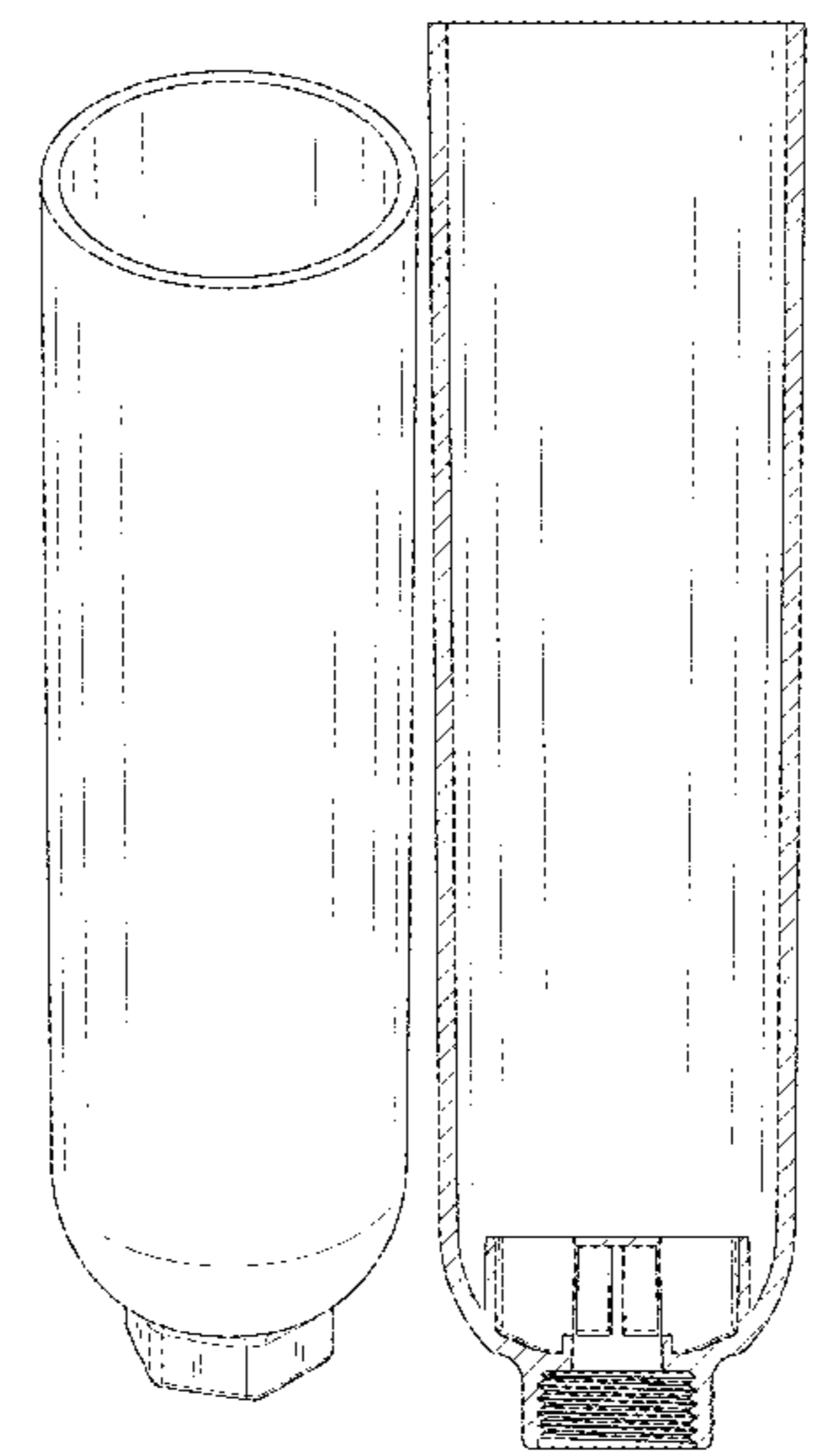
(57) **CLAIM**

The ornamental design for a water filter housing, as shown  
and described.

**DESCRIPTION**

FIG. 1 is a top, front, left side perspective view of a water  
filter housing showing our new design;  
FIG. 2 is a bottom, rear, right side perspective view thereof;  
FIG. 3 is a left side elevational view thereof, the right side  
elevational view being a mirror image thereof;  
FIG. 4 is a front elevational view thereof, the rear elevational  
view being a mirror image thereof;  
FIG. 5 is a top plan view thereof;  
FIG. 6 is a bottom plan view thereof; and,  
FIG. 7 is a cross-sectional view as taken along lines 4-4 of  
FIG. 4.  
The broken lines in FIG. 7 illustrate portions of the water  
filter housing that form no part of the claimed design.

**1 Claim, 7 Drawing Sheets**



(56)

**References Cited**

U.S. PATENT DOCUMENTS

D752,177 S \* 3/2016 Enomoto ..... D23/207  
D769,409 S \* 10/2016 Race ..... D23/214  
D813,978 S \* 3/2018 Kennard ..... D23/202  
D846,070 S \* 4/2019 Zou ..... D23/209  
10,273,164 B2 \* 4/2019 Cappadona ..... C02F 1/283  
D850,577 S \* 6/2019 Aakernes ..... D23/207  
D905,198 S \* 12/2020 Kemmer ..... D23/209  
2012/0255890 A1 \* 10/2012 Cumberland ..... C02F 1/003  
210/136  
2015/0191380 A1 \* 7/2015 Glass ..... B01F 5/0463  
210/198.1  
2017/0210636 A1 \* 7/2017 Cappadona ..... C02F 1/283  
2018/0050926 A1 \* 2/2018 Ruprecht ..... C02F 1/002  
2020/0114283 A1 \* 4/2020 Chau ..... C02F 1/006

OTHER PUBLICATIONS

“Aquatic Life Refillable Cartridge” Jul. 18, 2016, Amazon, site visited May 17, 2021: <https://www.amazon.com/dp/B01AS5QFRS/> (Year: 2016).\*

\* cited by examiner

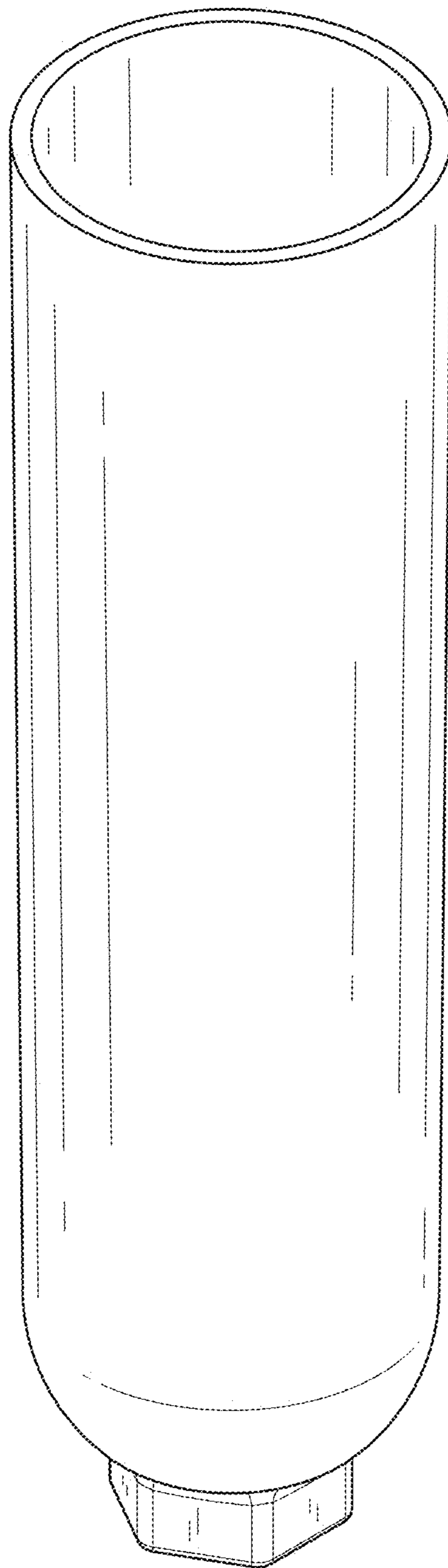


FIG. 1

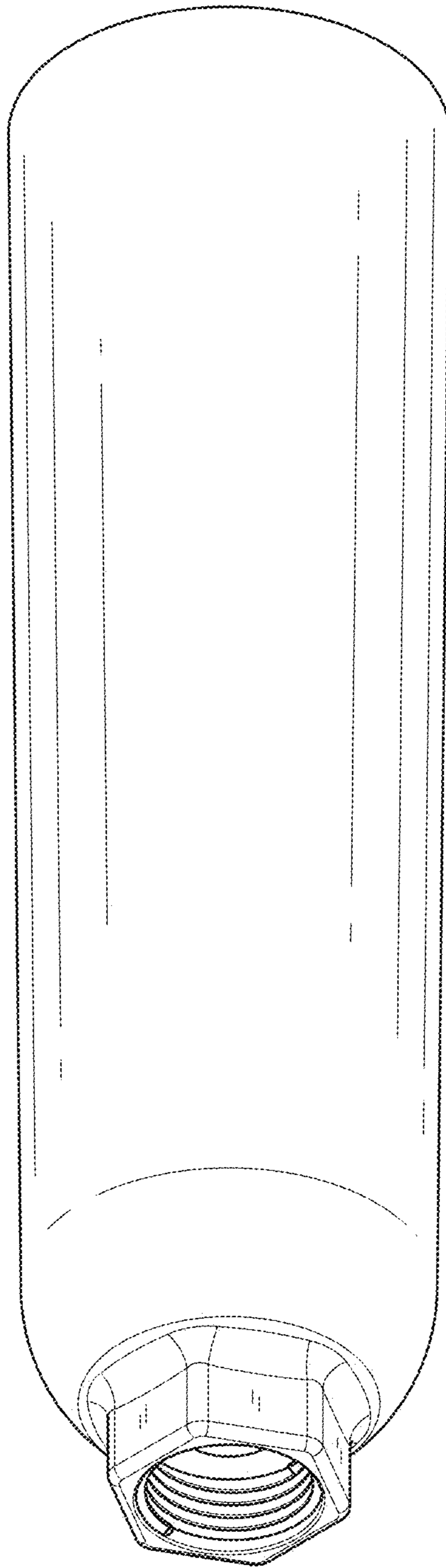


FIG. 2

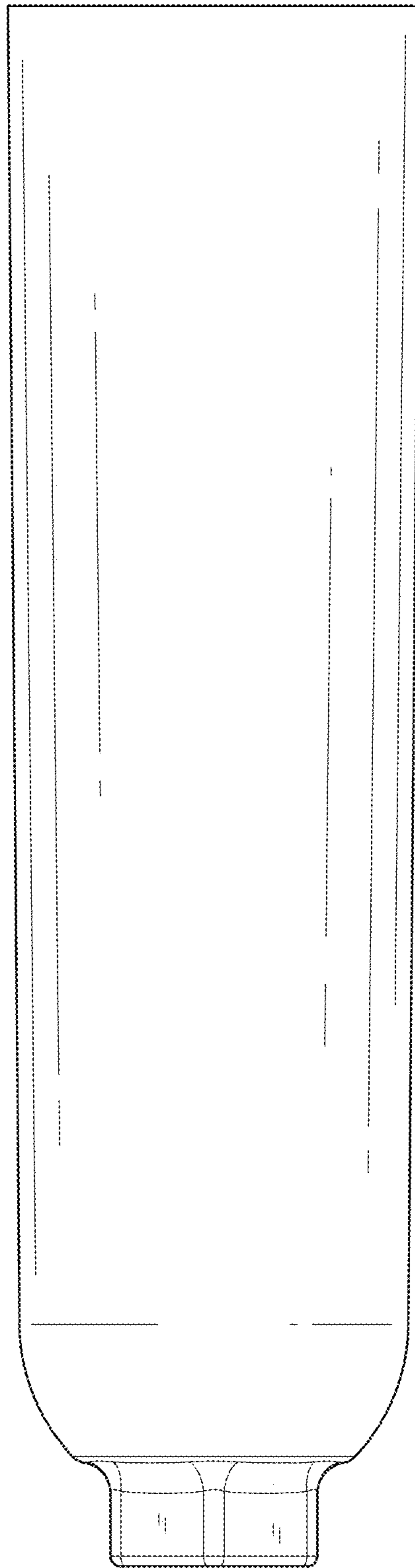


FIG. 3

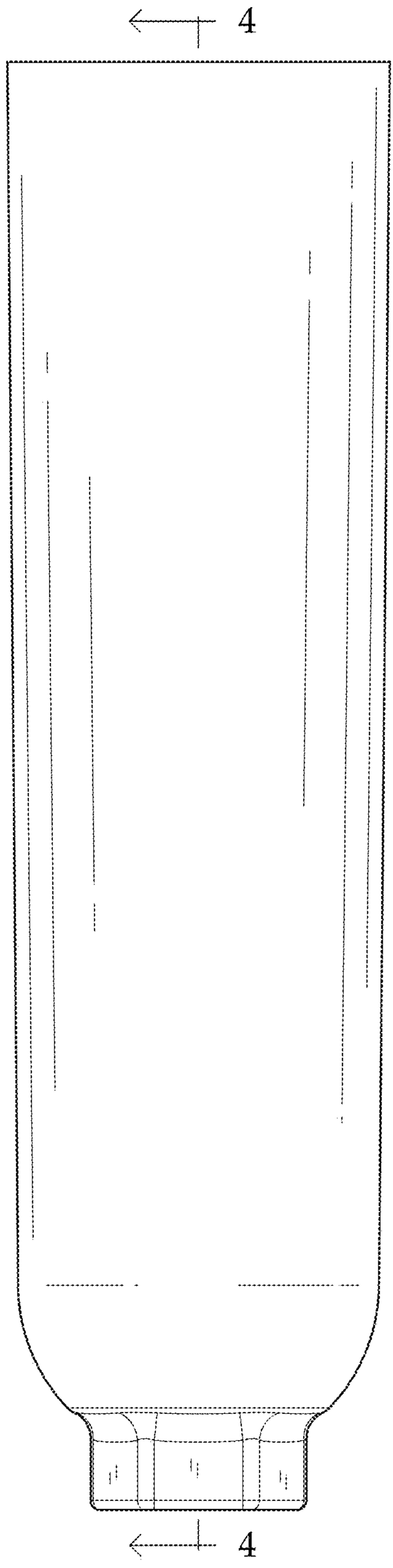


FIG. 4

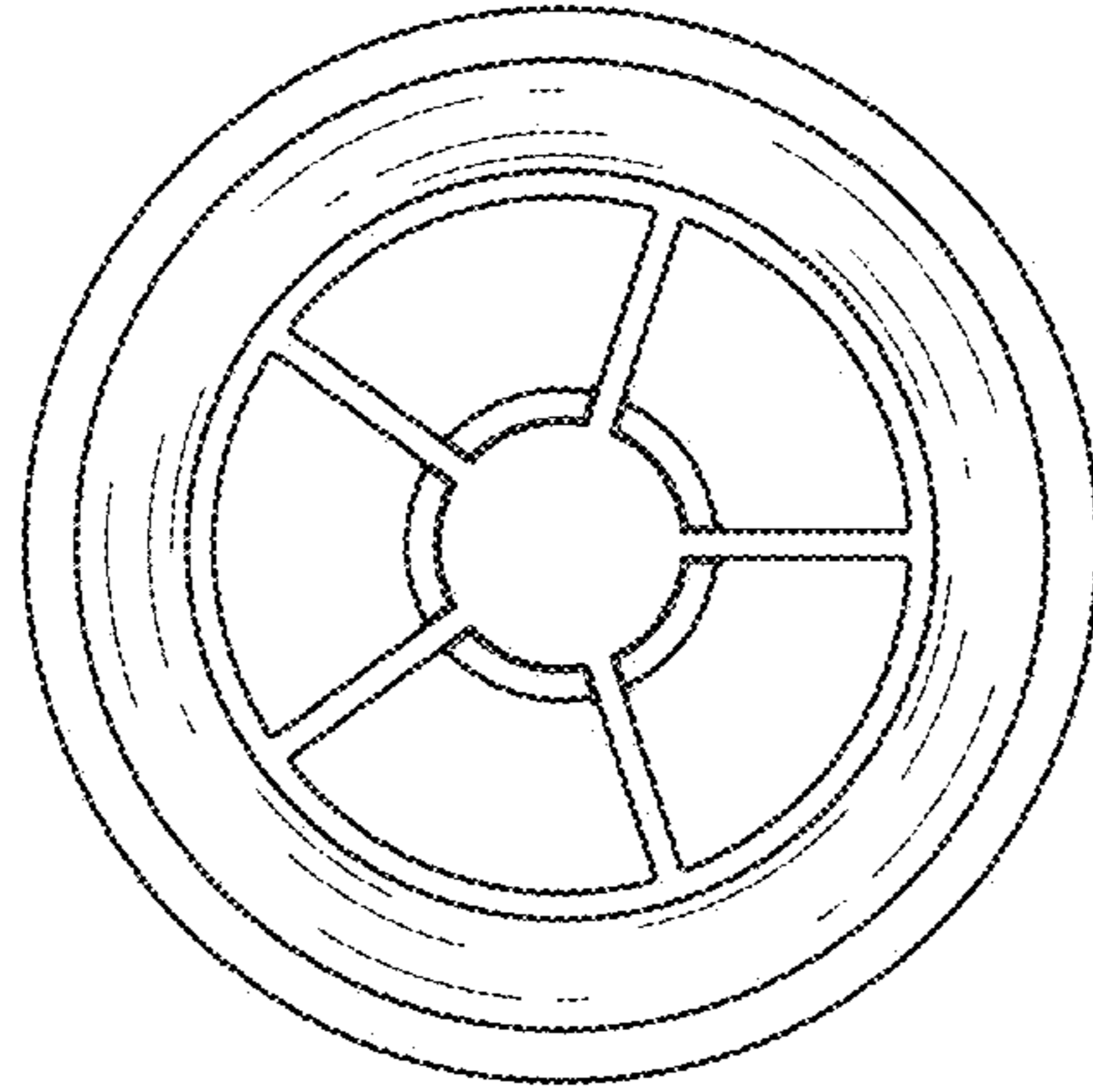


FIG. 5

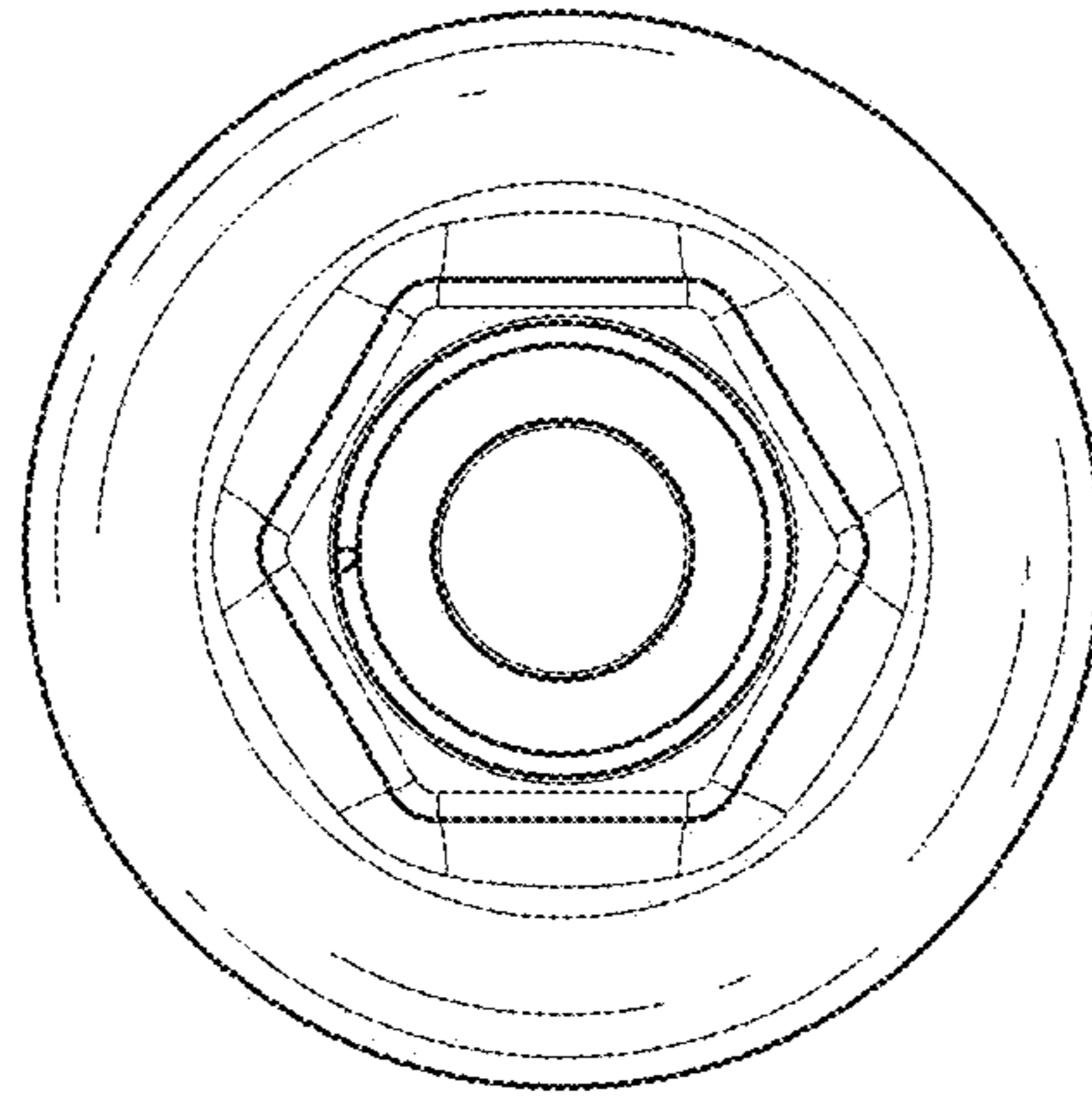


FIG. 6



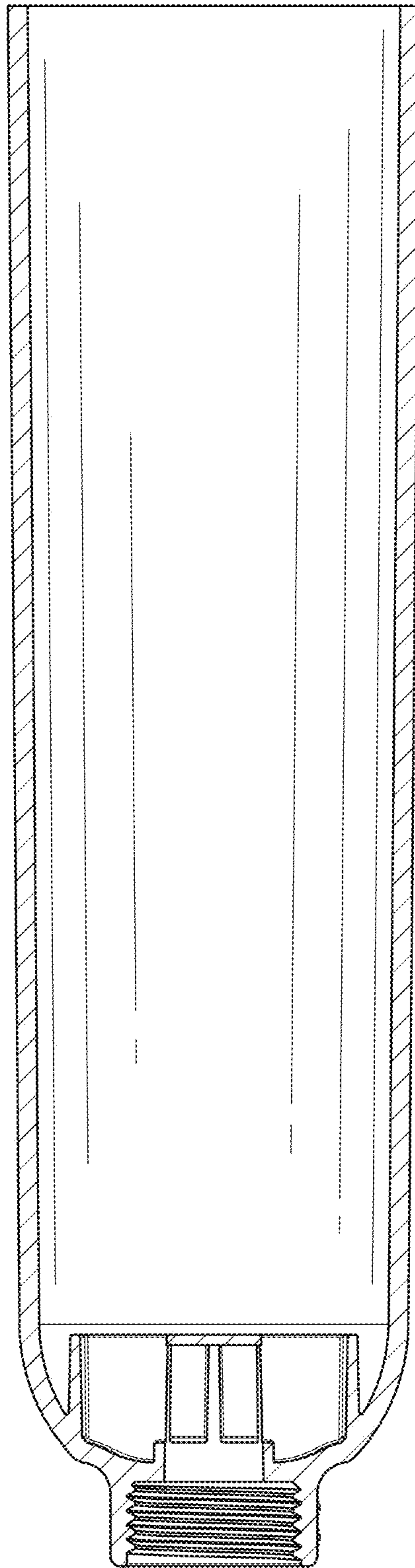


FIG. 7