

US00D943703S

(12) **United States Design Patent**
Miller et al.

(10) **Patent No.:** **US D943,703 S**
(45) **Date of Patent:** **** Feb. 15, 2022**

(54) **RIFLE SCOPE**
(71) Applicant: **EOTECH, LLC**, Ann Arbor, MI (US)
(72) Inventors: **Mark David Miller**, Monroe, MI (US);
John Anthony Bailey, Livonia, MI (US); **Aaron Lee Hampton**, Columbus, GA (US)
(73) Assignee: **EOtech, LLC**, Plymouth, MI (US)
(**) Term: **15 Years**

7,937,879 B2 * 5/2011 Hamilton F41G 1/38
42/132
7,997,163 B2 * 8/2011 Casas F41G 1/44
74/553
8,087,198 B2 * 1/2012 Tsai G02B 23/00
42/131
D668,312 S * 10/2012 Asano D22/109
D681,152 S * 4/2013 Burzel D22/109
D689,163 S * 9/2013 Radau D22/109
D689,582 S * 9/2013 Radau D22/109
D706,380 S * 6/2014 Gardiner D22/109
D706,381 S ‡ 6/2014 Gardiner D22/109
(Continued)

(21) Appl. No.: **29/785,513**
(22) Filed: **May 26, 2021**

Related U.S. Application Data

(62) Division of application No. 29/595,930, filed on Mar. 3, 2017, now Pat. No. Des. 923,739.
(51) **LOC (13) Cl.** **22-01**
(52) **U.S. Cl.**
USPC **D22/109**
(58) **Field of Classification Search**
USPC D22/108, 109, 110; D16/130
CPC F41G 1/14; F41G 1/38; F41G 1/40
See application file for complete search history.

(56) **References Cited**

U.S. PATENT DOCUMENTS

D308,981 S ‡ 7/1990 Moore D16/132
D417,679 S * 12/1999 Cross D16/132
6,005,711 A * 12/1999 Mai G02B 7/10
359/424
D421,286 S * 2/2000 Tucker D16/130
6,351,907 B1 * 3/2002 Otteman F41G 1/38
42/120
D476,714 S * 7/2003 Meinzer D22/109
6,691,447 B1 * 2/2004 Otteman F41G 1/38
359/429

OTHER PUBLICATIONS

“EOTECH Vudu 2.5-10x44mm Precision Rifle Scope” [online]. EOTECH. [Product first available on May 28, 2019]. Retrieved from the Internet: <<https://www.amazon.com/dp/B01MXL9IN3>>.*
(Continued)

Primary Examiner — Mojtaba Tehrani

(74) *Attorney, Agent, or Firm* — Bodman PLC

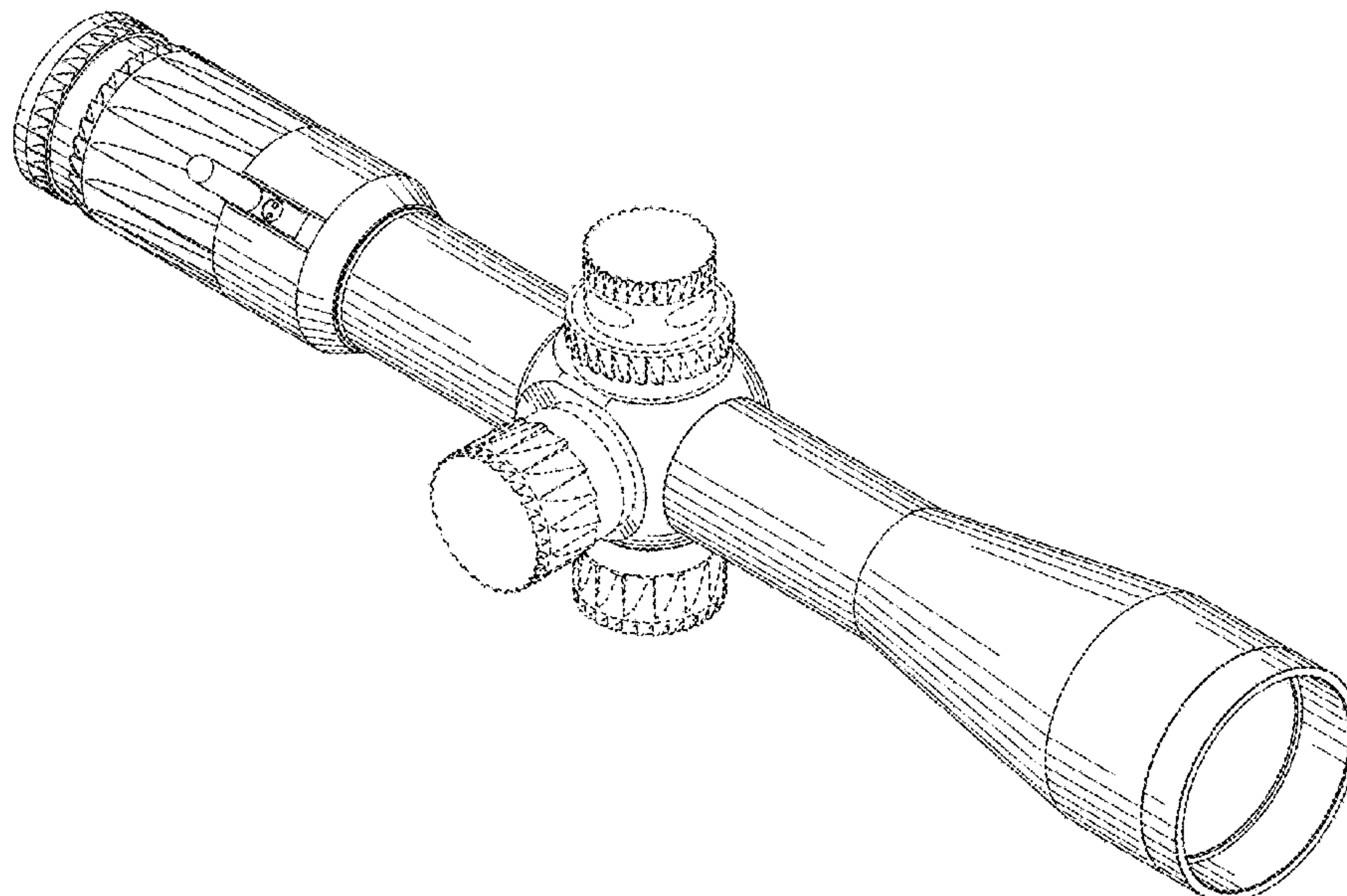
(57) **CLAIM**

The ornamental design for a rifle scope, as shown and described.

DESCRIPTION

FIG. 1 is a front perspective view of a rifle scope, showing our new design;
FIG. 2 is a top view thereof;
FIG. 3 is a bottom view thereof;
FIG. 4 is a left side view thereof;
FIG. 5 is a right side view thereof;
FIG. 6 is a front view thereof; and,
FIG. 7 is a rear view thereof.
The broken lines shown in the drawings represent portions of the rifle scope that form no part of the claimed design.

1 Claim, 4 Drawing Sheets



(56)

References Cited

U.S. PATENT DOCUMENTS

D707,324 S * 6/2014 Radau D22/109
 D723,652 S * 3/2015 Radau D22/109
 D728,060 S * 4/2015 Vogl D22/109
 D728,061 S * 4/2015 Vogl D22/109
 9,429,391 B2 * 8/2016 Walker F41G 1/38
 9,459,440 B2 * 10/2016 Zheng F41G 1/38
 D779,622 S * 2/2017 Thomas D22/109
 D783,115 S † 4/2017 Noller D22/109
 9,677,848 B2 * 6/2017 Hamilton G02B 7/004
 D792,939 S * 7/2017 Proll D22/109
 9,753,483 B1 * 9/2017 Thomas F41G 1/38
 9,766,039 B2 * 9/2017 Thomas F41G 1/38
 9,829,277 B2 * 11/2017 Ratliff G02B 23/14
 D807,983 S † 1/2018 Shi D22/109
 D818,075 S * 5/2018 Zeppetzauer D22/109
 D819,163 S † 5/2018 Hoshi D22/109
 D828,478 S † 9/2018 Thomas D22/108
 D831,777 S * 10/2018 Davidson D22/109
 D832,971 S † 11/2018 Hoshi D22/109
 D841,111 S * 2/2019 Proell D22/109
 D844,092 S * 3/2019 Ding D22/108
 10,302,395 B1 * 5/2019 Holland F41G 1/473
 10,330,438 B2 * 6/2019 Schmidt F41G 1/38
 10,443,979 B2 * 10/2019 Sheets, Jr. F41G 1/38
 10,451,888 B2 * 10/2019 Hamilton F41G 1/38
 D877,789 S † 3/2020 Proell D16/133
 10,767,961 B2 * 9/2020 Burianec F41G 1/40
 10,976,135 B1 * 4/2021 Holland F41G 1/473

D923,739 S * 6/2021 Miller D22/109
 11,041,694 B1 * 6/2021 Holland F41G 1/38
 11,067,364 B1 * 7/2021 Thomas G02B 23/16
 2011/0061285 A1 * 3/2011 Hamilton F41G 1/38
 42/122
 2012/0167444 A1 * 7/2012 Adkins F41G 1/38
 42/135
 2013/0276345 A1 * 10/2013 Hamilton G02B 23/14
 42/119
 2015/0124243 A1 * 5/2015 Stockdill G02B 23/16
 356/16
 2017/0241742 A1 * 8/2017 Davidson F41G 1/38

OTHER PUBLICATIONS

“Bushnell Bolsters Their LRHSi Riflescopes & Chases the Target Shooters Market” [online]. Adam Scepaniak. [Published on Jul. 27, 2016]. Retrieved from the Internet: <https://www.thefirearmblog.com/blog/2016/07/27/bushnell-bolsters-lrhsi-riflescopes-chases-target-shooters-market/> †
 “Leupold to Discontinue Mark 4 Sales to Civilians; Will Only Sell to Military & Law Enforcement” [online]. Adam Scepaniak. [Published on Jun. 6, 2016]. Retrieved from the Internet: <https://www.thefirearmblog.com/blog/2016/06/06/leupold-to-discontinue-mark-4-sales-to-civilians-will-only-sell-to-military-law-enforcem> †

* cited by examiner

† imported from a related application

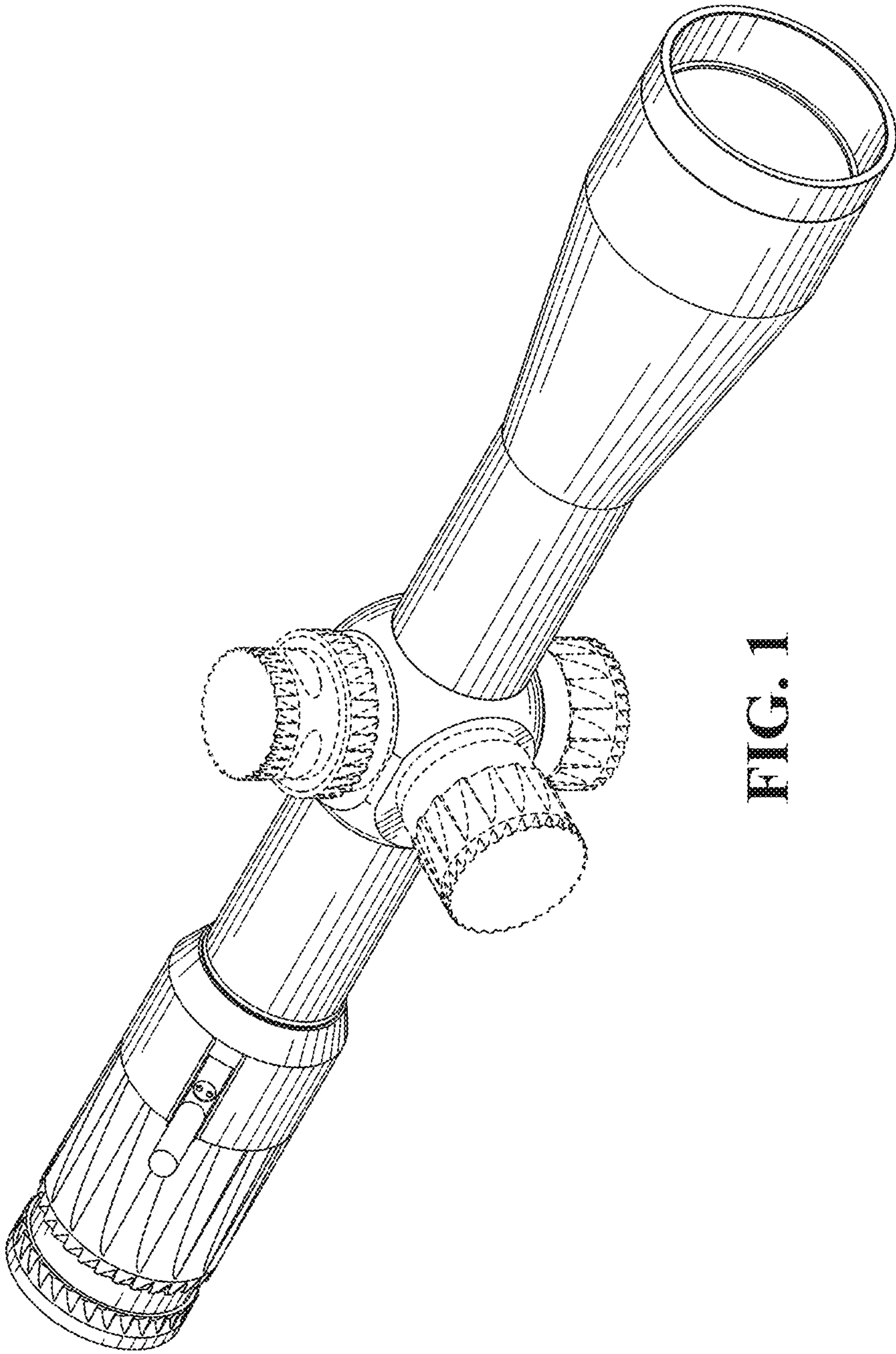


FIG. 1

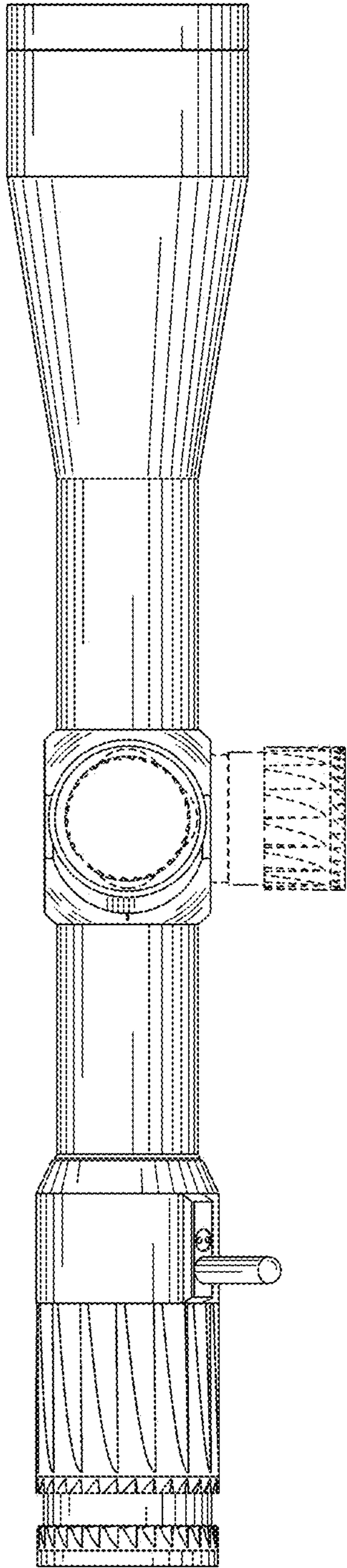


FIG. 2

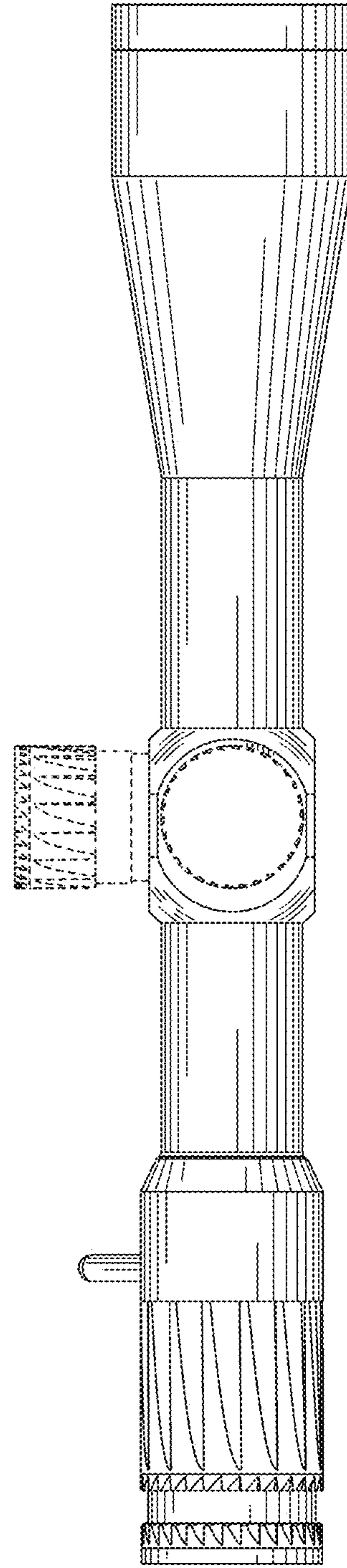


FIG. 3

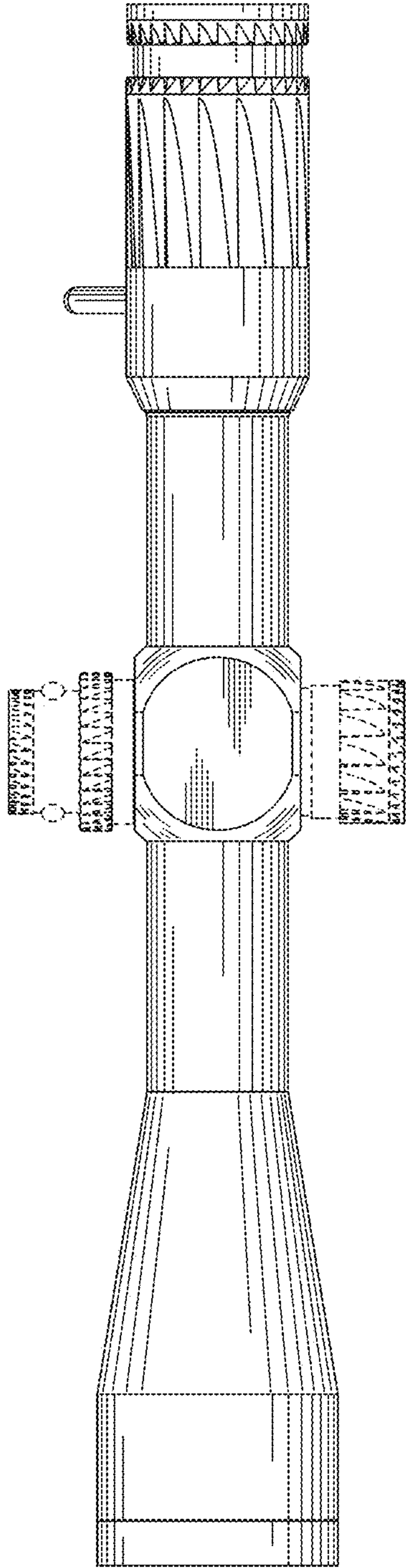


FIG. 4

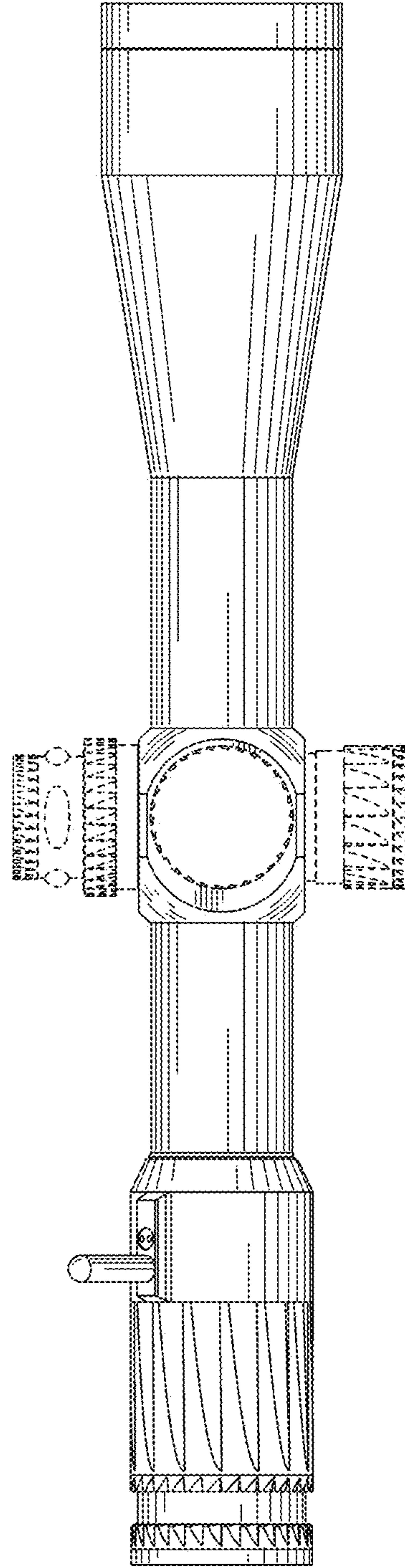


FIG. 5

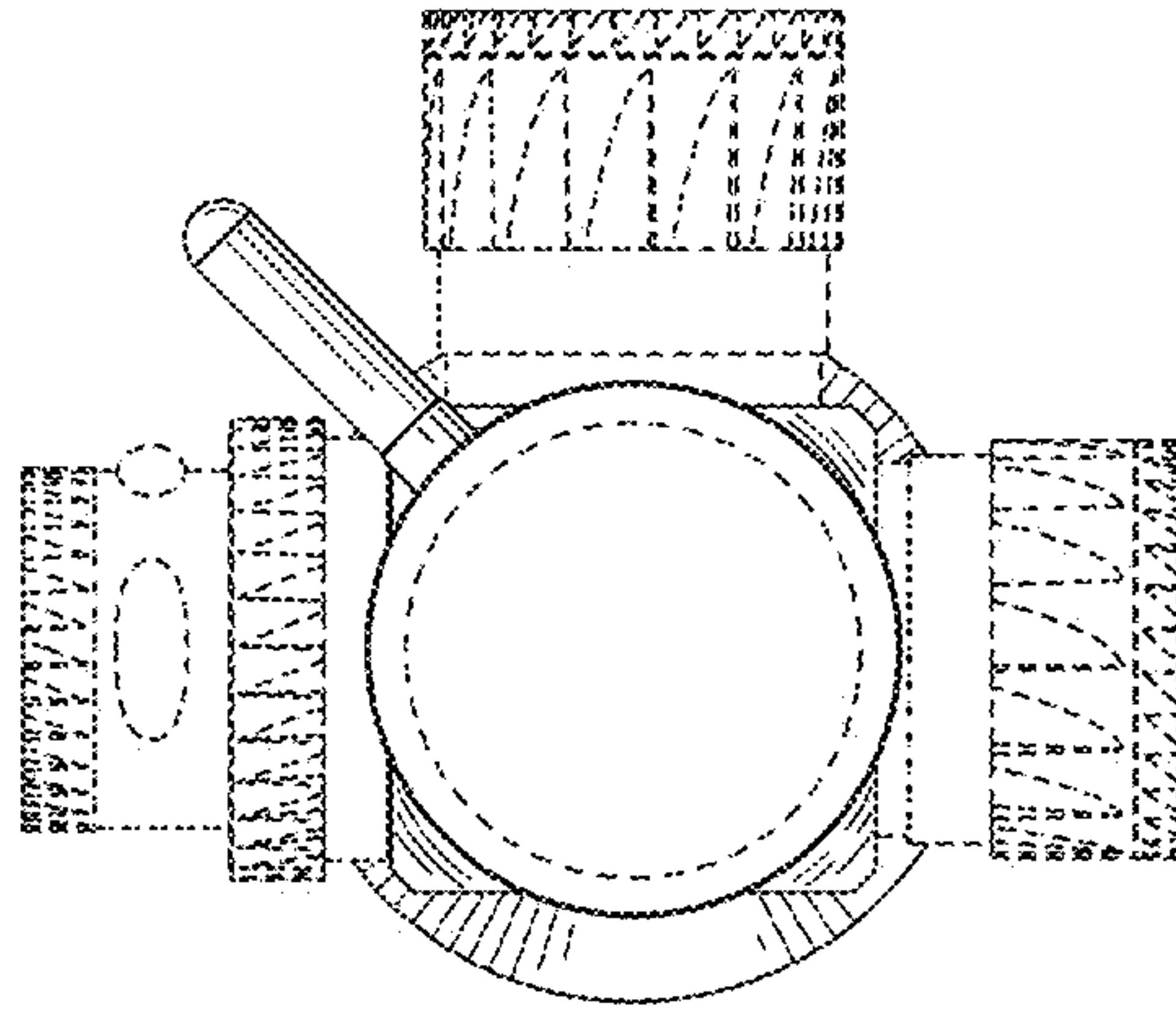


FIG. 7

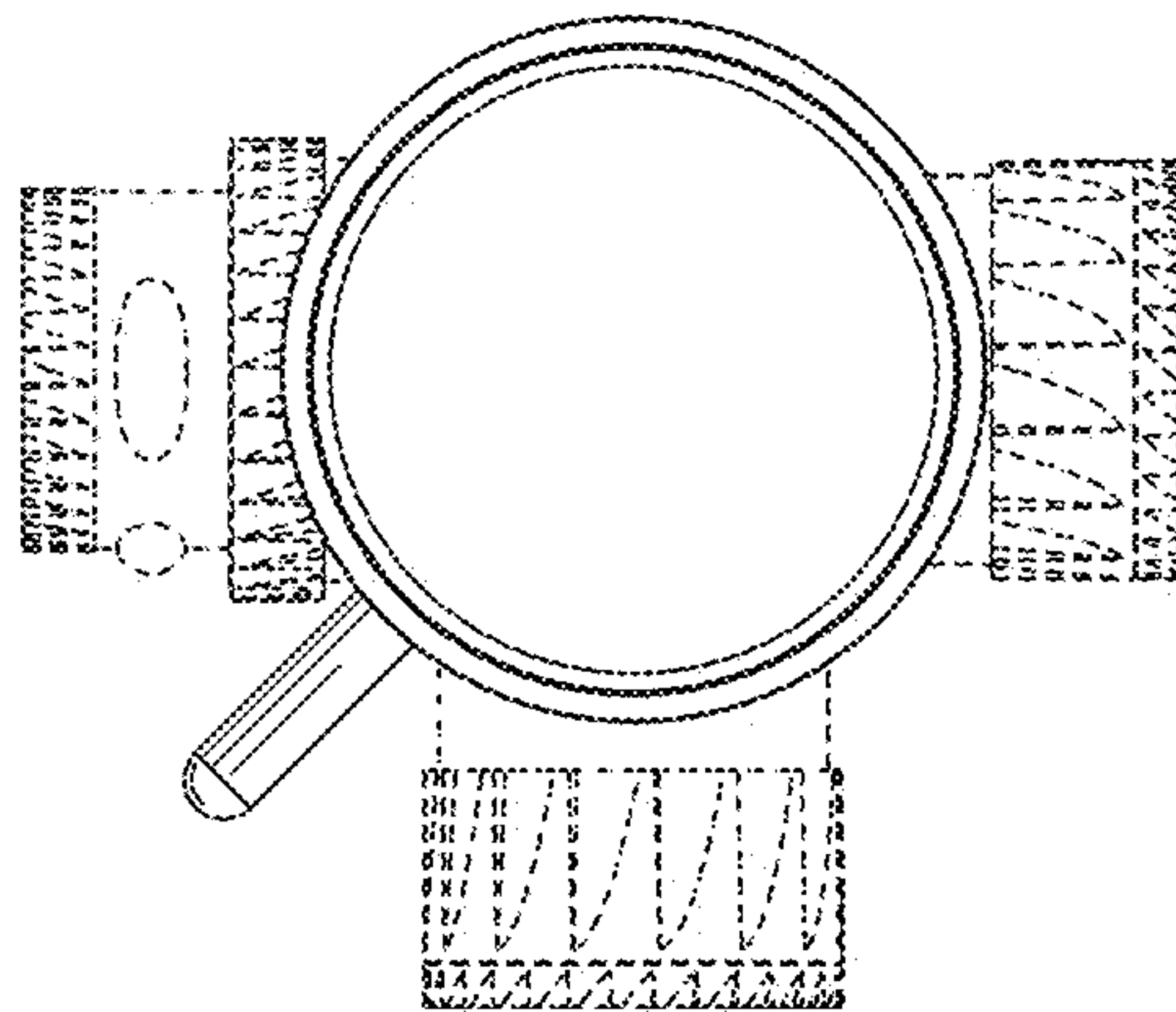


FIG. 6