



US00D943701S

(12) **United States Design Patent** (10) **Patent No.:** **US D943,701 S**
Palmer (45) **Date of Patent:** **** *Feb. 15, 2022**

(54) **MOUNT FOR MARKING SURFACES AND PARTS**

(71) Applicant: **Samuel Palmer**, Caro, MI (US)

(72) Inventor: **Samuel Palmer**, Caro, MI (US)

(*) Notice: This patent is subject to a terminal disclaimer.

(**) Term: **15 Years**

(21) Appl. No.: **29/712,627**

(22) Filed: **Nov. 10, 2019**

(51) **LOC (13) Cl.** **22-01**

(52) **U.S. Cl.**
USPC **D22/108; D8/74**

(58) **Field of Classification Search**
USPC D15/122, 125, 130, 140, 141, 199;
D22/108, 199; D24/232; D8/71, 74
CPC B23K 26/0006; B41M 5/262
See application file for complete search history.

(56) **References Cited**

U.S. PATENT DOCUMENTS

4,548,392	A *	10/1985	Rickling	F41A 23/00
					269/156
4,824,086	A *	4/1989	Rickling	F41A 23/00
					269/156
D357,262	S *	4/1995	Porper	D15/130
D367,066	S *	2/1996	Chen	D15/130
5,617,666	A *	4/1997	Scott	F41A 23/16
					211/64
D425,916	S *	5/2000	Cheng	D15/130
D446,527	S *	8/2001	Hinch	D15/130
D450,333	S *	11/2001	Miller	D15/130

D504,140	S *	4/2005	Lai	D15/130
6,877,266	B1 *	4/2005	Brownlee	F41A 23/16
					42/90
D574,861	S *	8/2008	Smith	D15/130
D862,630	S *	10/2019	Solar	D22/108
2009/0205238	A1 *	8/2009	Willis, Jr.	F41A 27/28
					42/94
2010/0126055	A1 *	5/2010	Potterfield	F41A 23/16
					42/94
2014/0157641	A1 *	6/2014	Tucker	F41A 23/02
					42/94

* cited by examiner

Primary Examiner — Michael C Stout
Assistant Examiner — Fritzgerald L Butac
(74) *Attorney, Agent, or Firm* — Inventa Capital PC

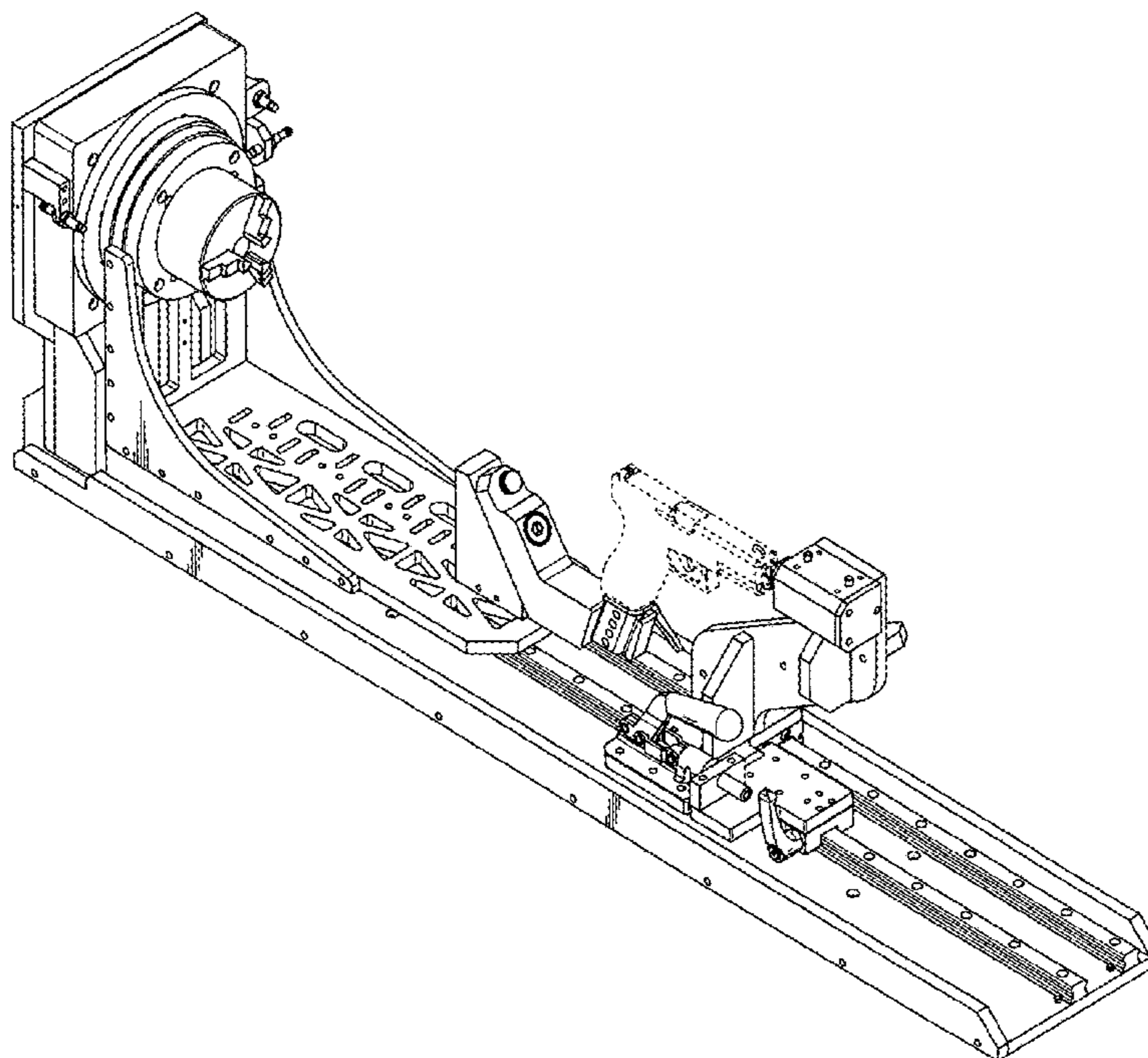
(57) **CLAIM**

I claim the ornamental design for a mount for marking surfaces and parts, as shown and described.

DESCRIPTION

FIG. 1 is a perspective view of a mount for marking surfaces and parts;
FIG. 2 is a left side view of the mount for marking surfaces and parts;
FIG. 3 is a top view of the mount for marking surfaces and parts;
FIG. 4 is a front view of the mount for marking surfaces and parts;
FIG. 5 is a rear view of the mount for marking surfaces and parts; and,
FIG. 6 is a right side view of the mount for marking surfaces and parts.
The “dash-dot” broken lines are for the purpose of showing environmental structure, and form no part of the claimed design.

1 Claim, 5 Drawing Sheets



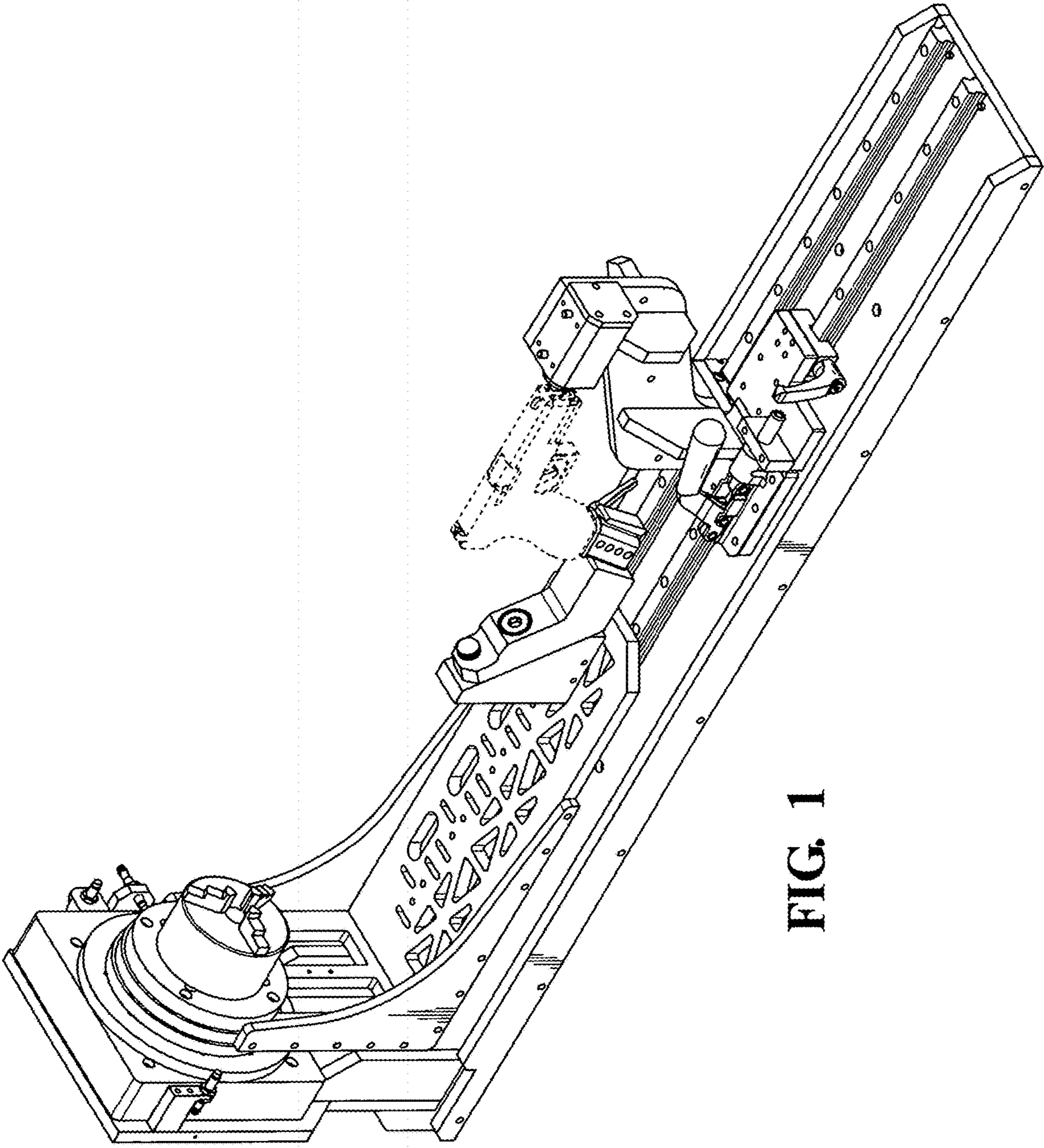


FIG. 1

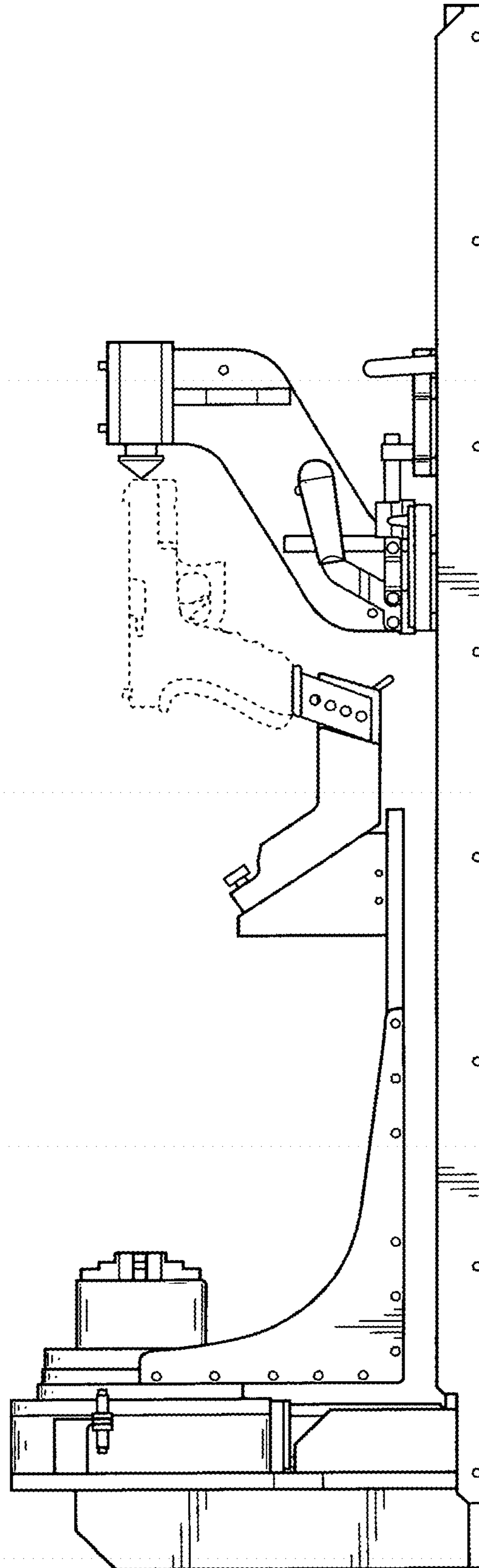


FIG. 2

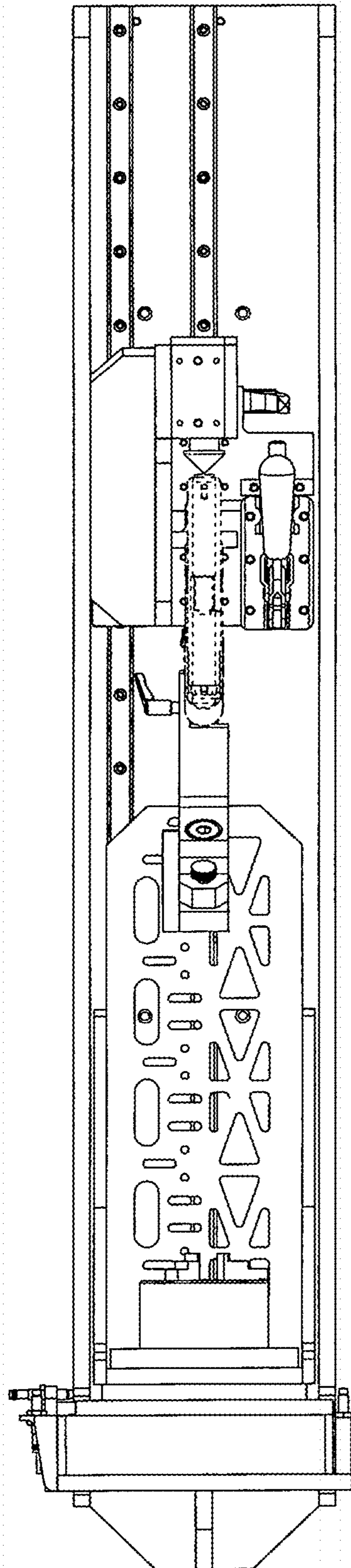


FIG. 3

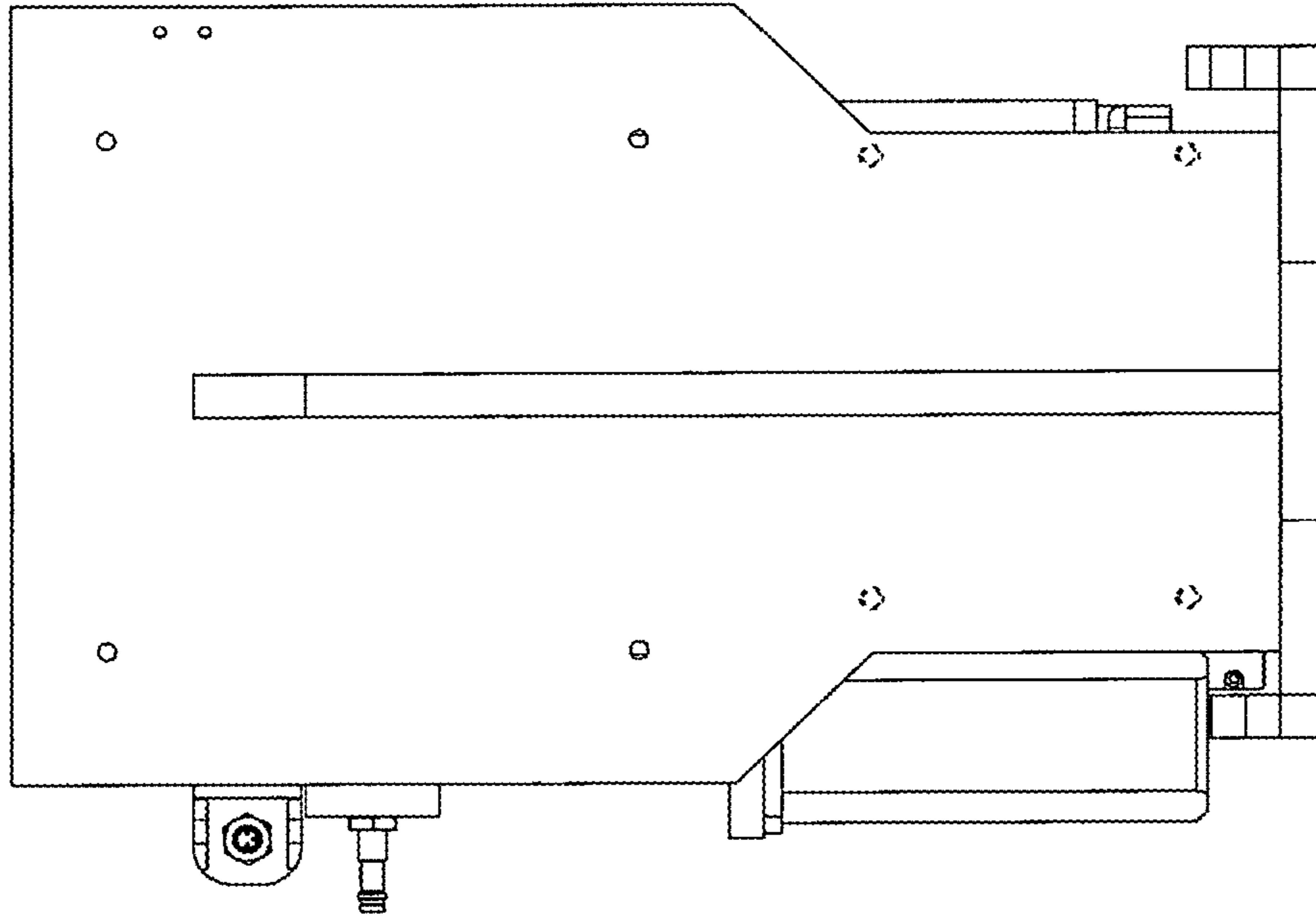


FIG. 5

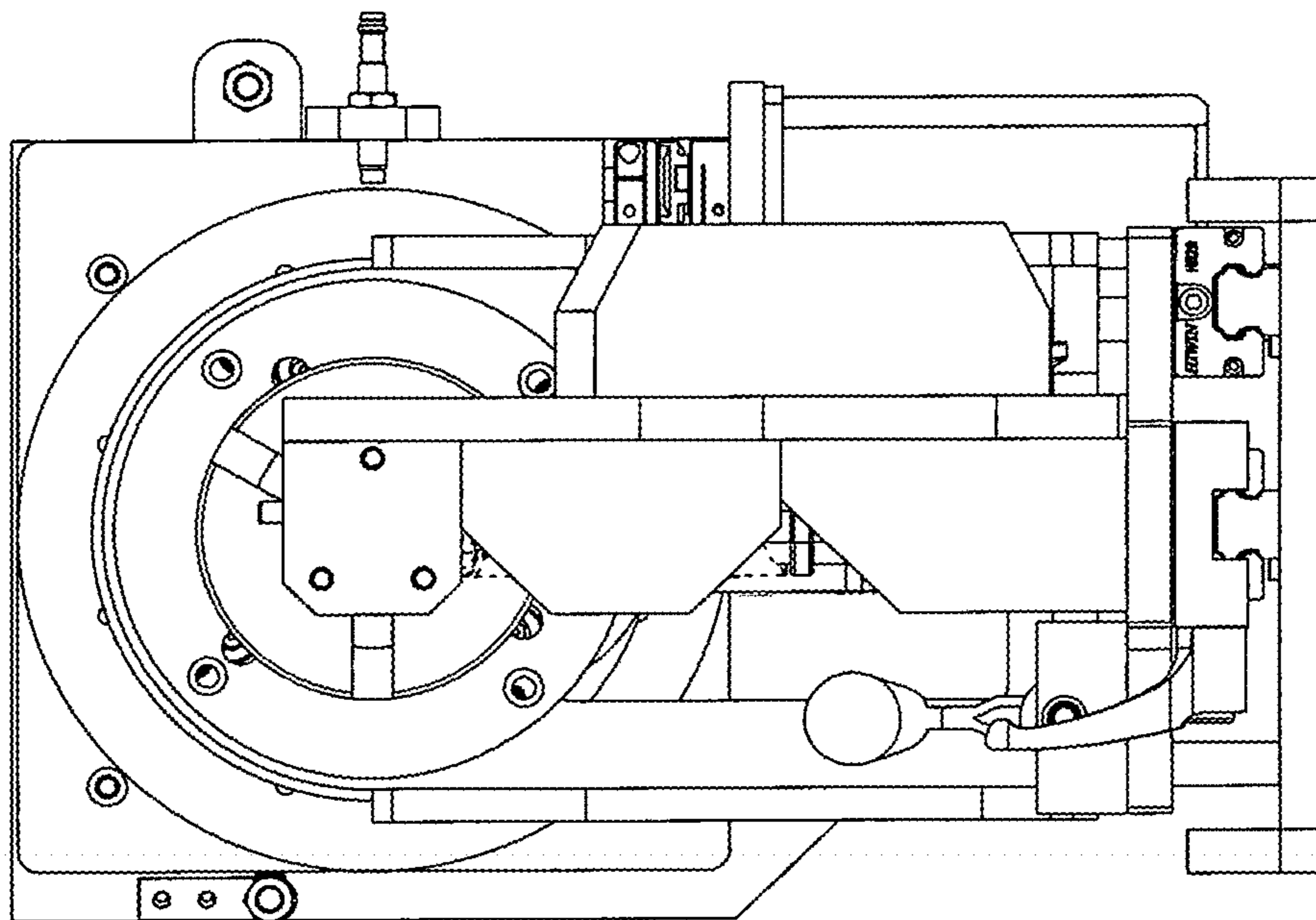


FIG. 4

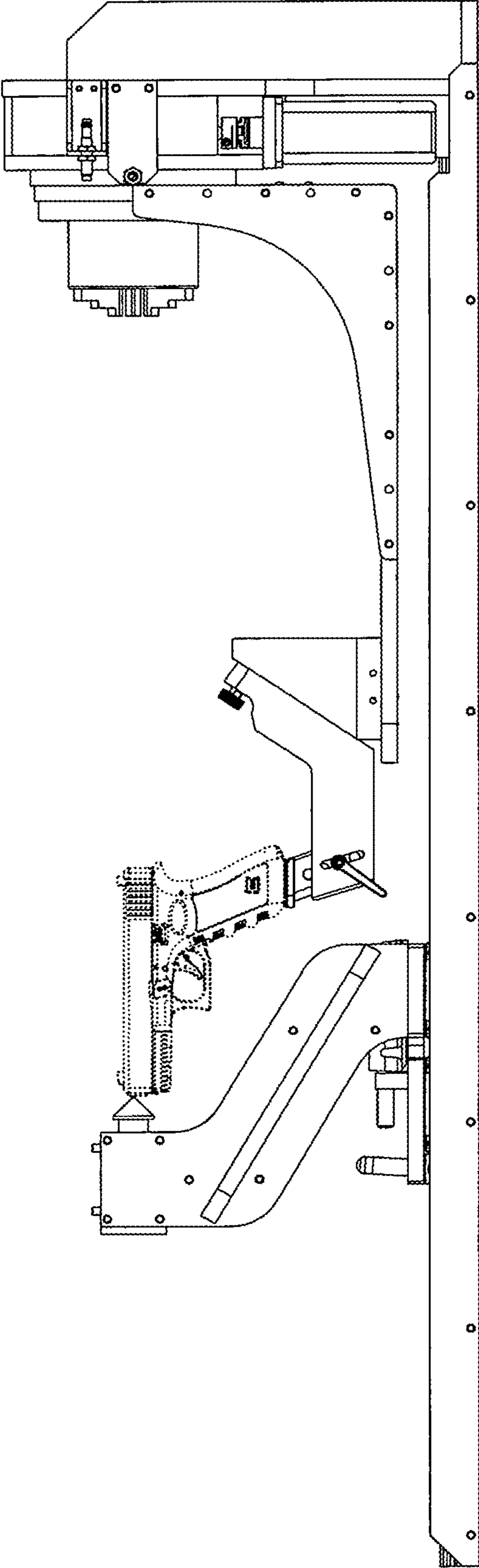


FIG. 6