



US00D943700S

(12) **United States Design Patent** (10) **Patent No.:** **US D943,700 S**
Diego et al. (45) **Date of Patent:** **** Feb. 15, 2022**

(54) **PLAY TREE**
(71) Applicant: **PLAYPOWER, INC.**, Huntersville, NC (US)
(72) Inventors: **Gabriela Diego**, Lewisburg, PA (US); **Craig Mellott**, Beavertown, PA (US); **Lauren Menezes**, Milton, PA (US); **Michael Eby**, Lewisburg, PA (US); **Jeff Williams**, Milton, PA (US); **Bishop Aikey**, New Columbia, PA (US)
(73) Assignee: **PLAYPOWER, INC.**, Huntersville, NC (US)
(**) Term: **15 Years**
(21) Appl. No.: **29/719,148**
(22) Filed: **Dec. 31, 2019**
(51) **LOC (13) Cl.** **21-03**
(52) **U.S. Cl.**
USPC **D21/827**
(58) **Field of Classification Search**
USPC D21/818–821, 826–827, 811, 814
CPC A63B 9/00; A63B 2009/006; A63B 17/00;
A63H 33/008
See application file for complete search history.

D693,419 S * 11/2013 Tukker D21/818
D694,838 S * 12/2013 Tukker D21/511
D821,526 S * 6/2018 Jackson D21/826
D831,146 S * 10/2018 Lindberg D21/814
D832,964 S * 11/2018 Keller D21/814
D832,965 S * 11/2018 Keller D21/818
D859,563 S * 9/2019 Keller D21/827
D864,332 S * 10/2019 Lindberg D21/814
D873,365 S * 1/2020 Keller D21/826
2006/0019798 A1 * 1/2006 Checketts A63B 27/00
482/35
2014/0315651 A1 * 10/2014 Meister A63H 33/008
472/136

OTHER PUBLICATIONS

Playhouse playground structure; google search Oct. 21, 2021.*
Tree shaped climbing structure; google search Oct. 21, 2021.*
Playhouse climbing structure; google search; Oct. 21, 2021.*

* cited by examiner

Primary Examiner — Mitchell I. Siegel

(74) *Attorney, Agent, or Firm* — Sandberg Phoenix & von Gontard, P.C.

(57) **CLAIM**

The ornamental design for play tree, as shown and described.

DESCRIPTION

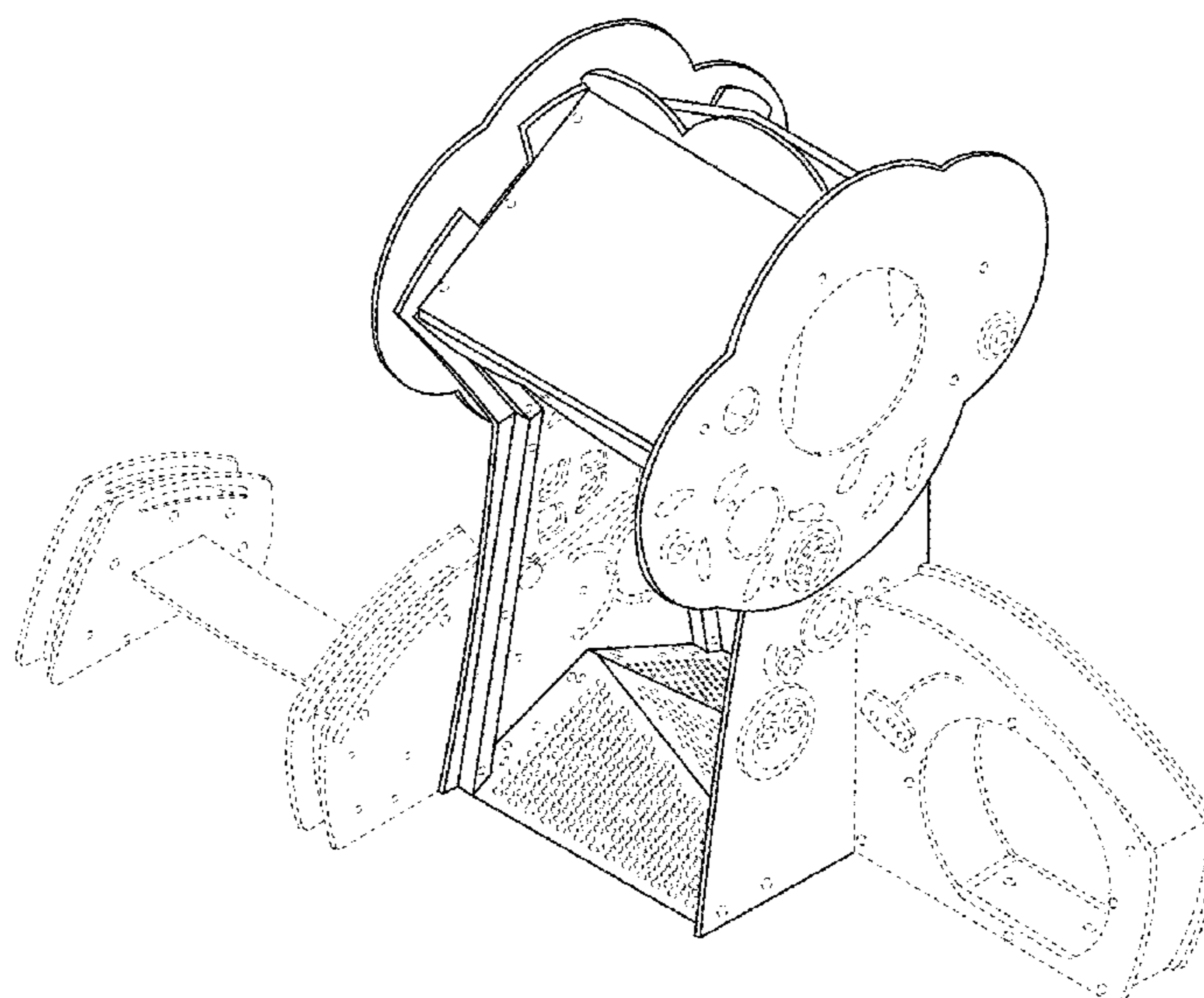
FIG. 1 is a first perspective view of a play tree; FIG. 2 is a second perspective view of the play tree; FIG. 3 is a right-side elevational view of the play tree; FIG. 4 is a left side elevational view of the play tree; FIG. 5 is a front elevational view of the play tree; FIG. 6 is a rear elevational view of the play tree; FIG. 7 is a bottom plan view of the play tree; and, FIG. 8 is a top plan view of the play tree. The portion of the article depicted in broken lines forms no part of the design.

1 Claim, 6 Drawing Sheets

(56) **References Cited**

U.S. PATENT DOCUMENTS

D385,941 S * 11/1997 Carpenter D21/511
5,890,338 A * 4/1999 Rodriguez-Ferre
A63H 33/008
52/582.1
D427,648 S * 7/2000 Law D21/511
D501,232 S * 1/2005 Kirk D21/511
D569,450 S * 5/2008 Halliday D21/511
D618,814 S * 6/2010 Ruhanen D24/203
7,980,918 B1 * 7/2011 Prilutsky A63H 33/008
446/476
D693,418 S * 11/2013 Tukker D21/818



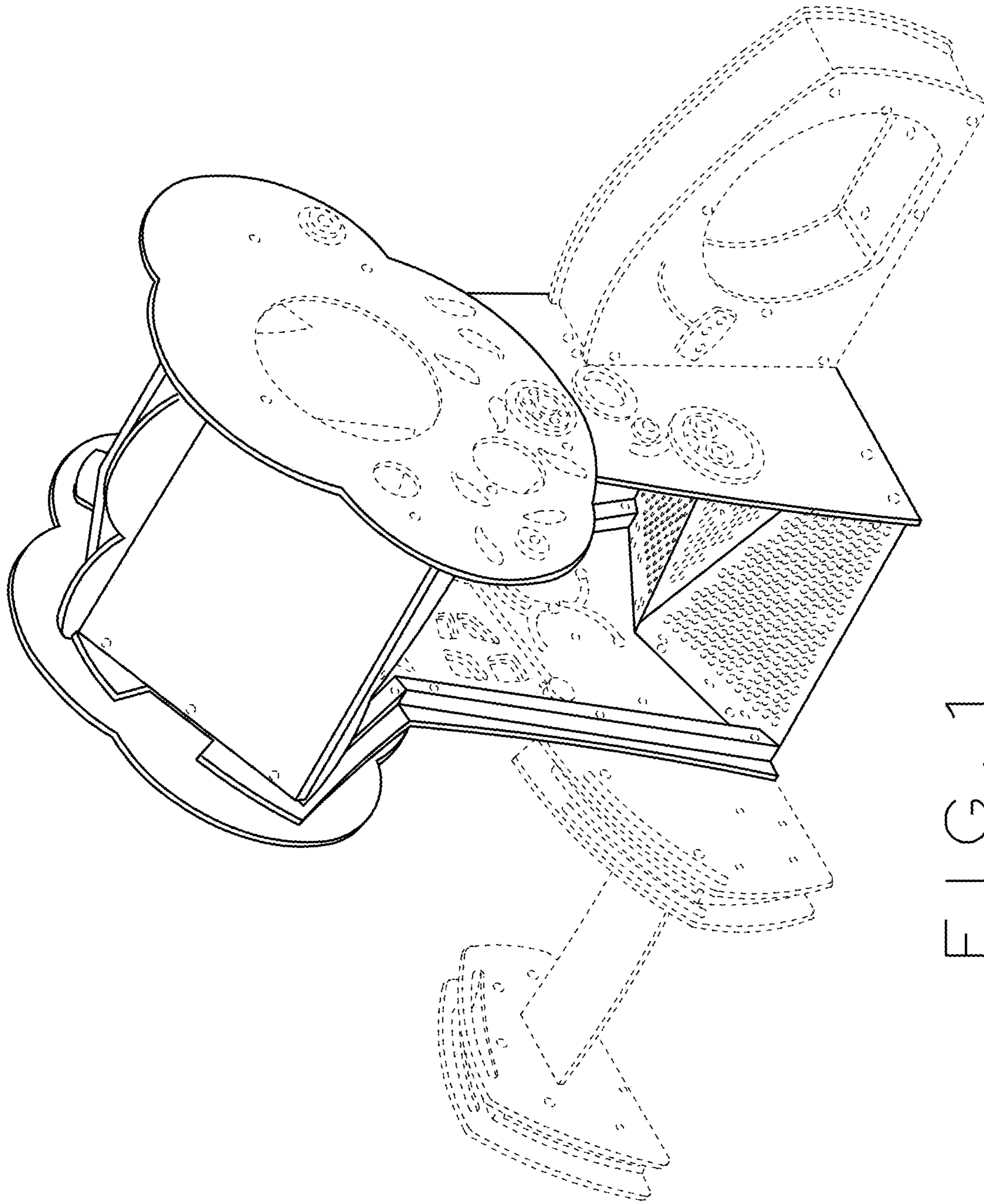


FIG. 1

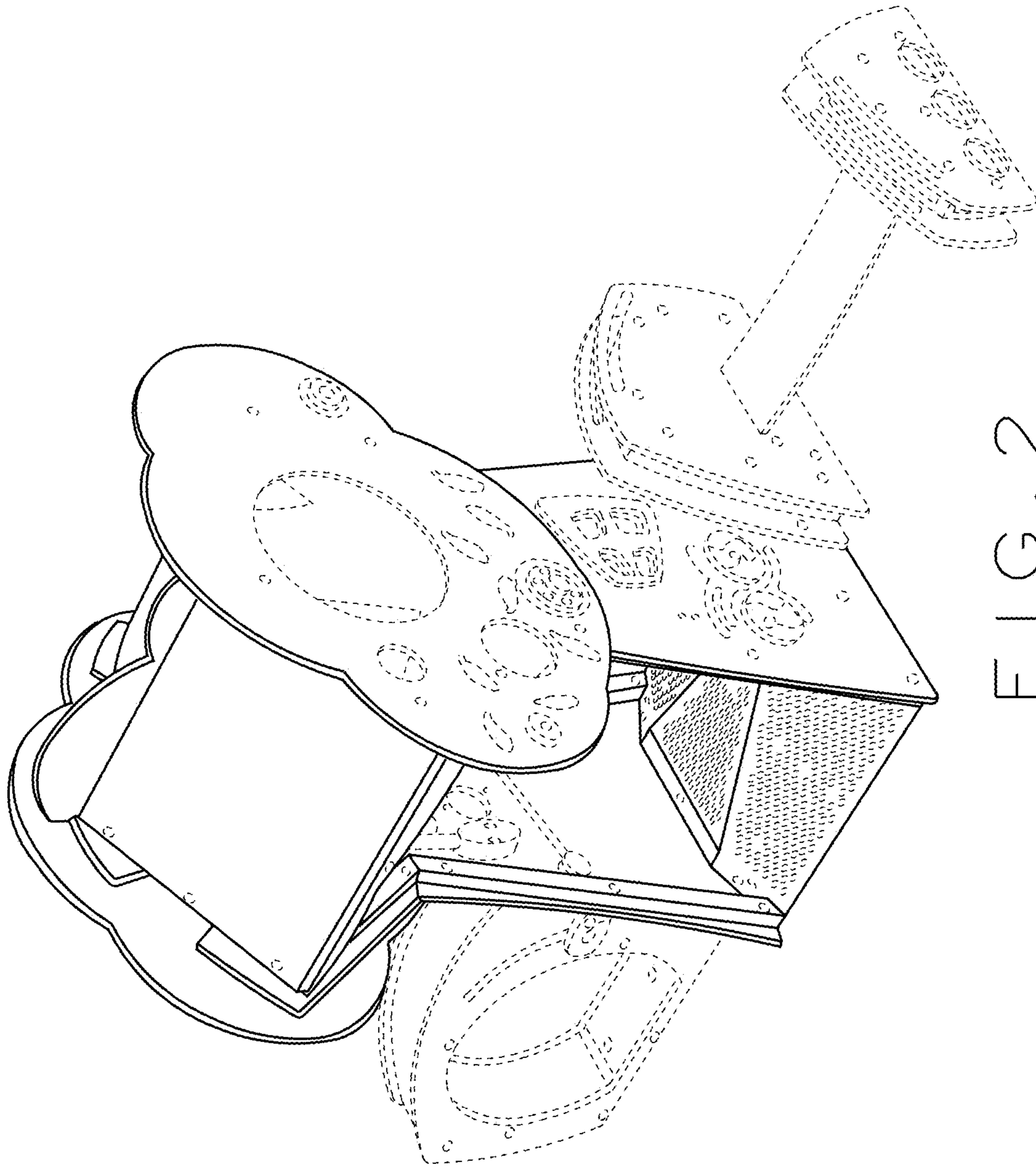


FIG. 2

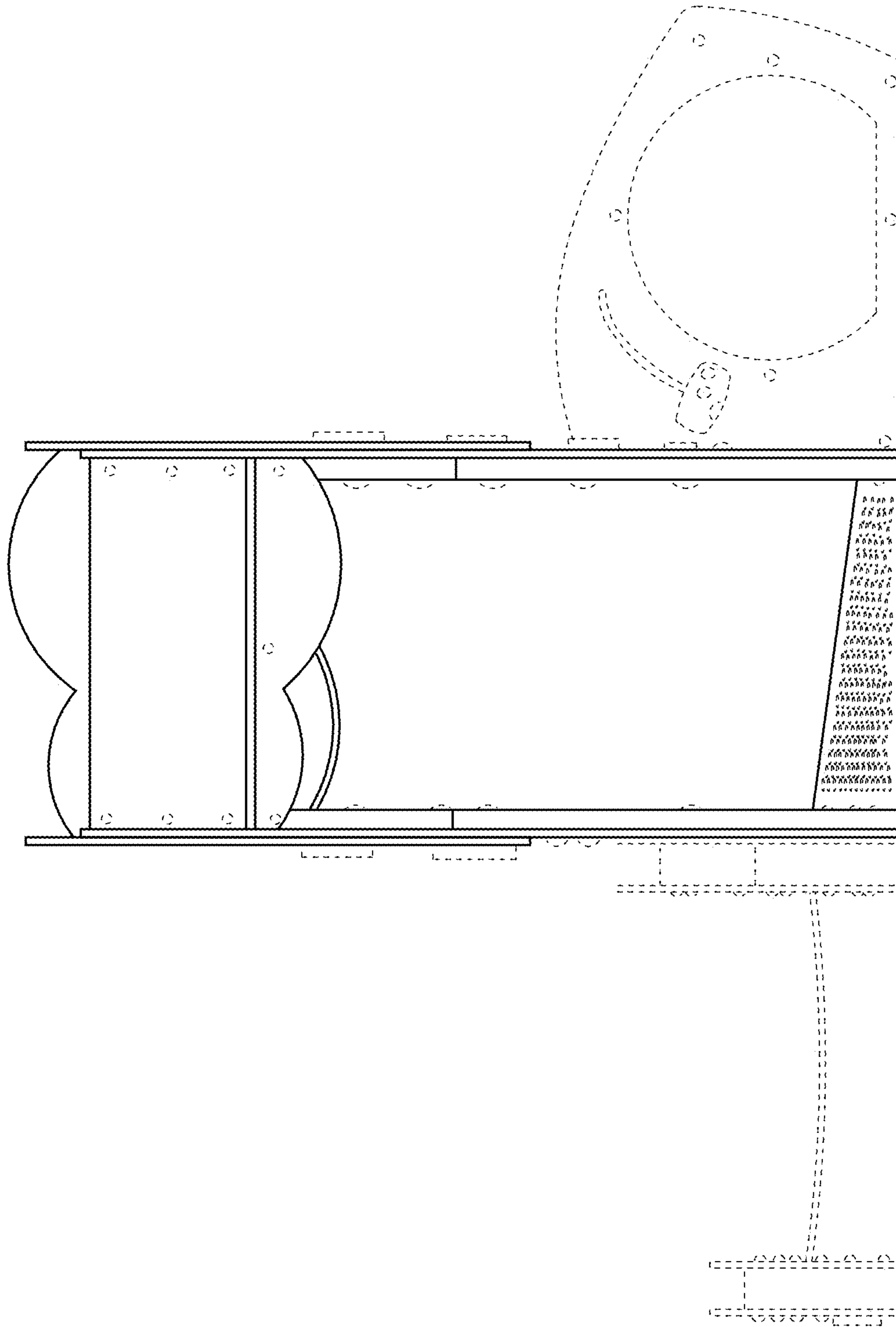


FIG. 3

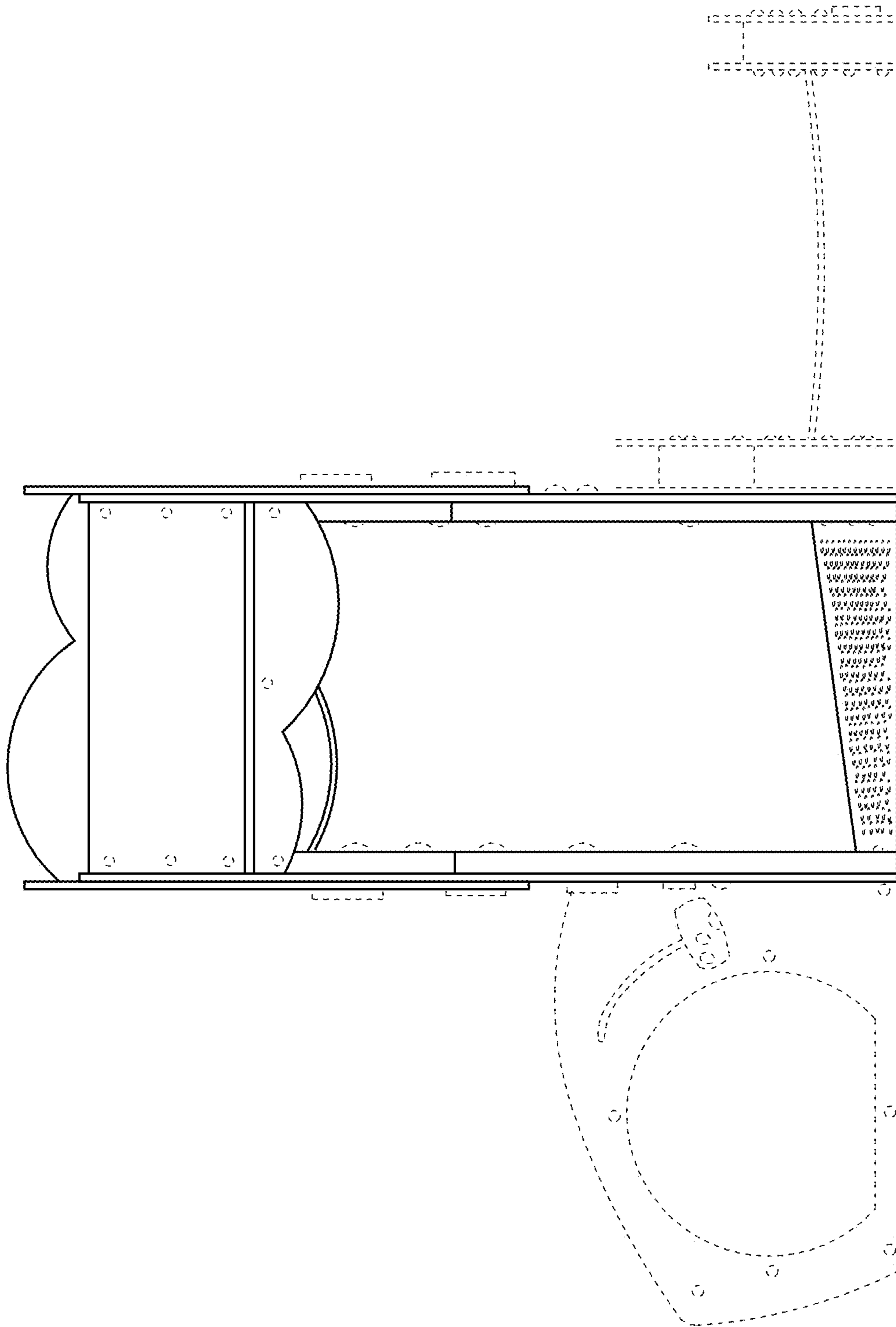


FIG. 4

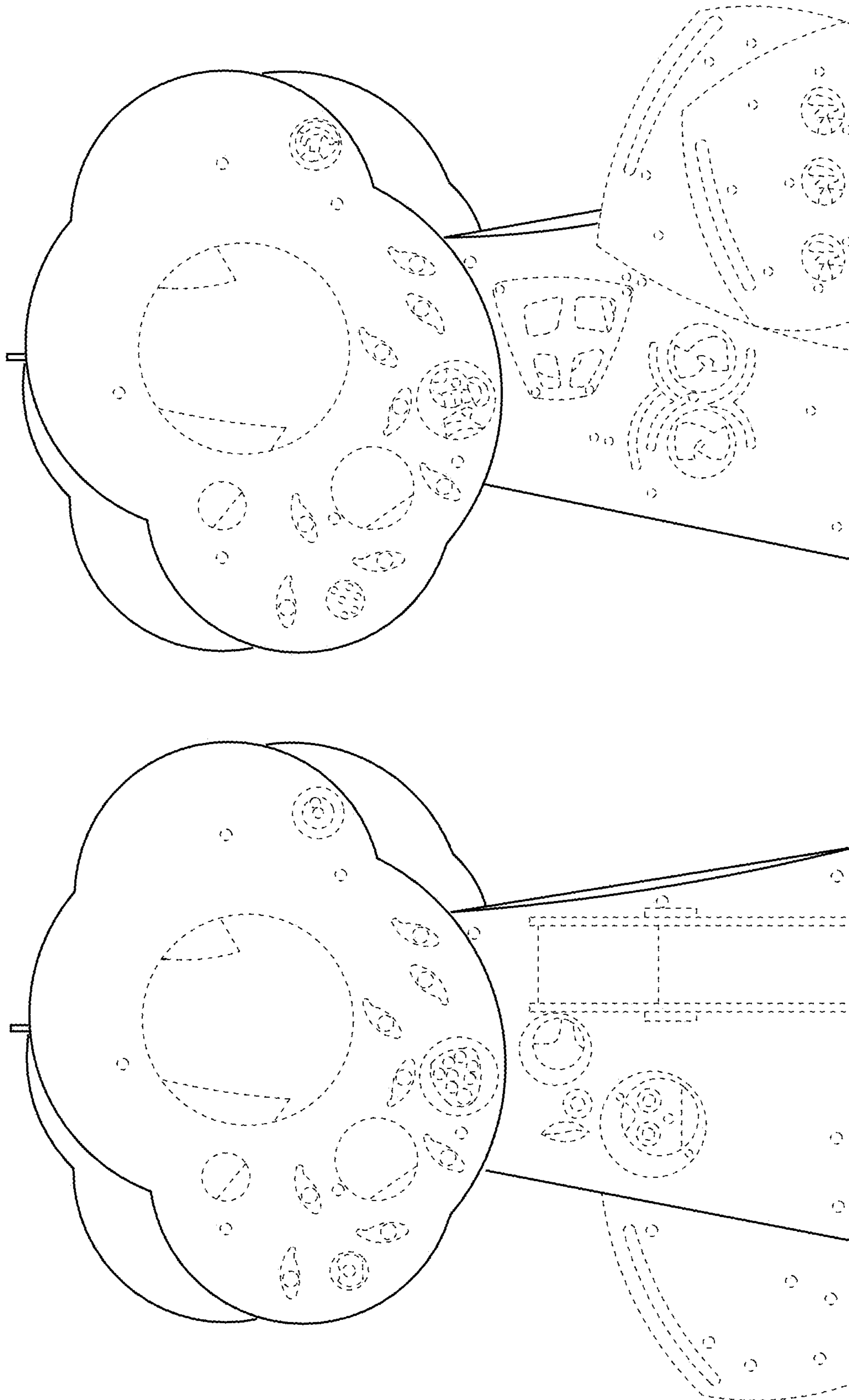


FIG. 6

FIG. 5

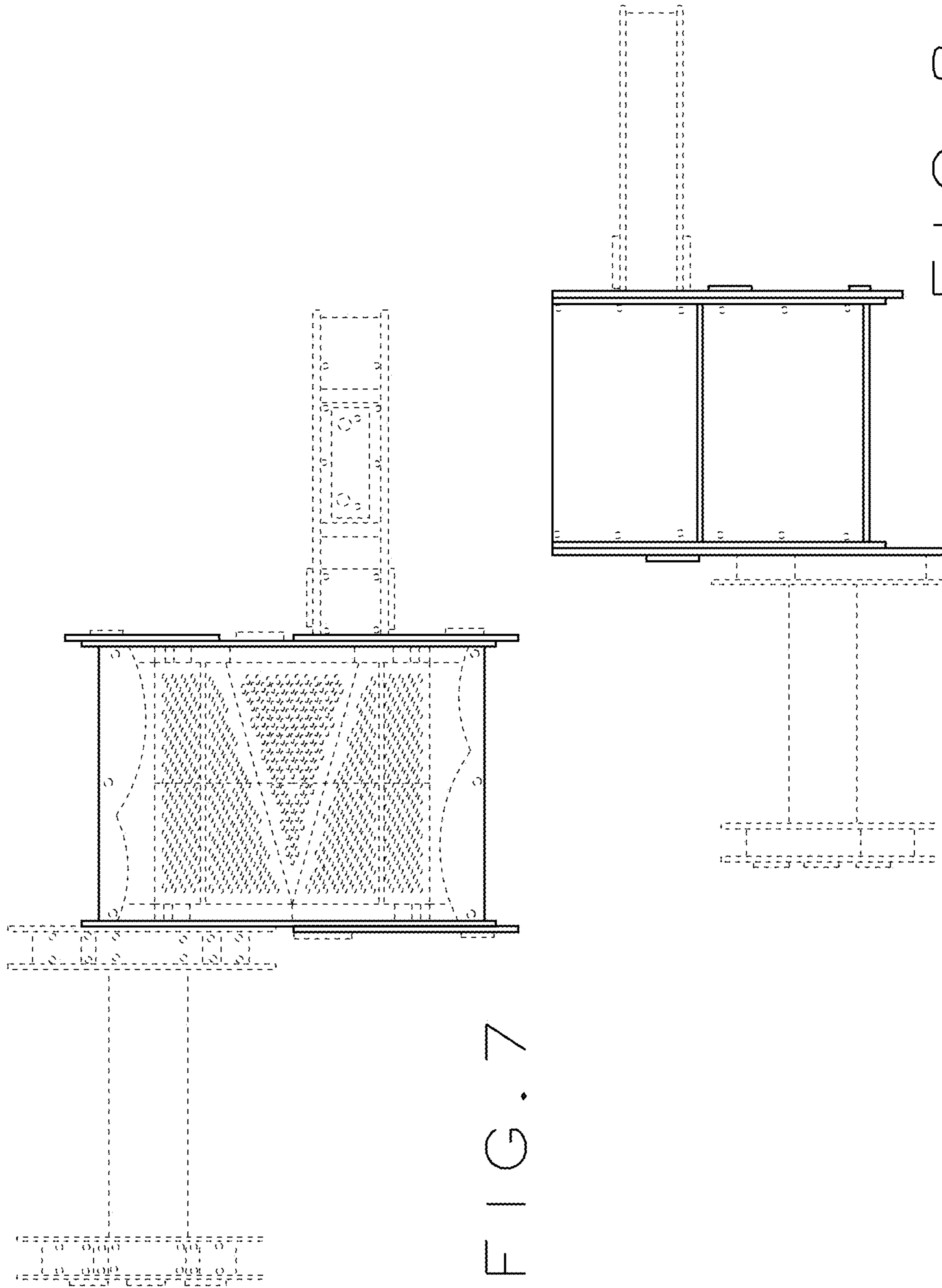


FIG. 7

FIG. 8