

US00D943698S

(12) **United States Design Patent** (10) **Patent No.:** **US D943,698 S**
Diego et al. (45) **Date of Patent:** **** Feb. 15, 2022**

(54) PLAYHOUSE	7,980,918 B1 * 7/2011 Prilutsky A63H 33/008 446/476
(71) Applicant: PLAYPOWER, INC. , Huntersville, NC (US)	D693,418 S * 11/2013 Tukker D21/818 D693,419 S * 11/2013 Tukker D21/818 D694,838 S * 12/2013 Tukker D21/511 D821,526 S * 6/2018 Jackson D21/826 D831,146 S * 10/2018 Lindberg D21/814 D832,964 S * 11/2018 Keller D21/814 D832,965 S * 11/2018 Keller D21/818 D859,563 S * 9/2019 Keller D21/827 D864,332 S * 10/2019 Lindberg D21/814 D873,365 S * 1/2020 Keller D21/826
(72) Inventors: Gabriela Diego , Lewisburg, PA (US); Craig Mellott , Beavertown, PA (US); Lauren Menezes , Milton, PA (US); Michael Eby , Lewisburg, PA (US); Jeff Williams , Milton, PA (US); Bishop Aikey , New Columbia, PA (US)	2006/0019798 A1 * 1/2006 Checketts A63B 27/00 482/35
(73) Assignee: PLAYPOWER, INC. , Huntersville, NC (US)	2014/0315651 A1 * 10/2014 Meister A63H 33/008 472/136

(**) Term: **15 Years**

(21) Appl. No.: **29/719,143**

(22) Filed: **Dec. 31, 2019**

(51) **LOC (13) Cl.** **21-03**

(52) **U.S. Cl.**
USPC **D21/814**; D21/506; D21/818

(58) **Field of Classification Search**
USPC D21/818-821, 826-827, 506-511, 530,
D21/628, 811, 814
CPC A63B 9/00; A63B 2009/006; A63B 17/00;
A63H 33/008
See application file for complete search history.

(56) **References Cited**

U.S. PATENT DOCUMENTS

D385,941 S * 11/1997 Carpenter D21/511
5,890,338 A * 4/1999 Rodriguez-Ferre A63H 33/008 52/582.1
D427,648 S * 7/2000 Law D21/511
D501,232 S * 1/2005 Kirk D21/511
D569,450 S * 5/2008 Halliday D21/511
D618,814 S * 6/2010 Ruhanen D24/203

OTHER PUBLICATIONS

Playhouse playground structure; google search Oct. 21, 2021.*
(Continued)

Primary Examiner — Mitchell I. Siegel

(74) *Attorney, Agent, or Firm* — Sandberg Phoenix & von Gontard, P.C.

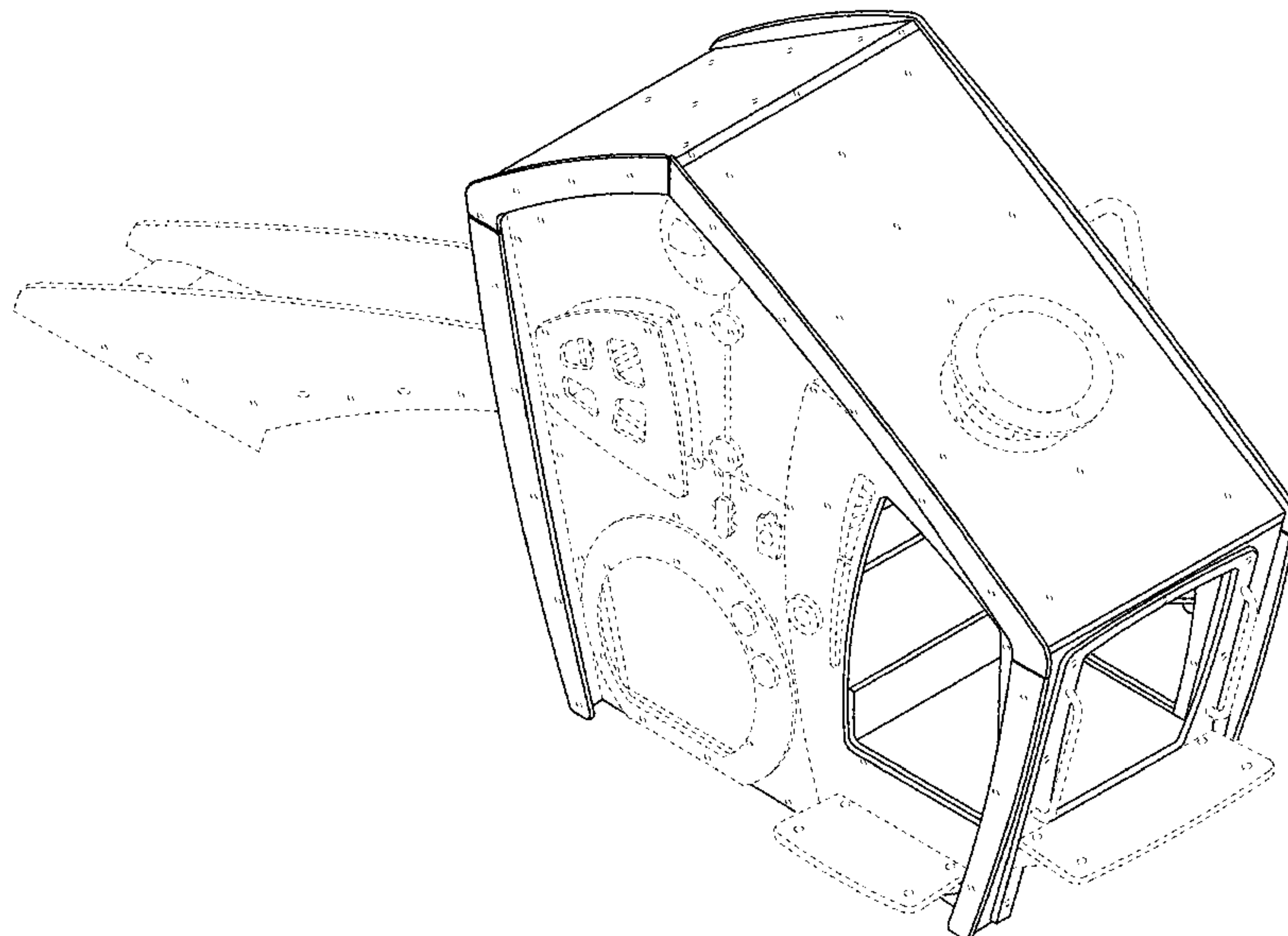
(57) **CLAIM**

The ornamental design for playhouse, as shown and described.

DESCRIPTION

FIG. 1 is a first perspective view of a playhouse;
FIG. 2 is a second perspective view of the playhouse;
FIG. 3 is a back elevational view of the playhouse;
FIG. 4 is a front elevational view of the playhouse;
FIG. 5 is a right-side elevational view of the playhouse;
FIG. 6 is a left side elevational view of the playhouse;
FIG. 7 is a bottom plan view of the playhouse; and,
FIG. 8 is a top plan view of the playhouse;
The portion of the article depicted in broken lines forms no part of the design.

1 Claim, 5 Drawing Sheets



(56)

References Cited

OTHER PUBLICATIONS

Tree shaped climbing structure; google search Oct. 21, 2021.*

Playhouse climbing structure; google search; Oct. 21, 2021.*

Firestation outdoor playhouse; google search; Oct. 21, 2021.*

* cited by examiner

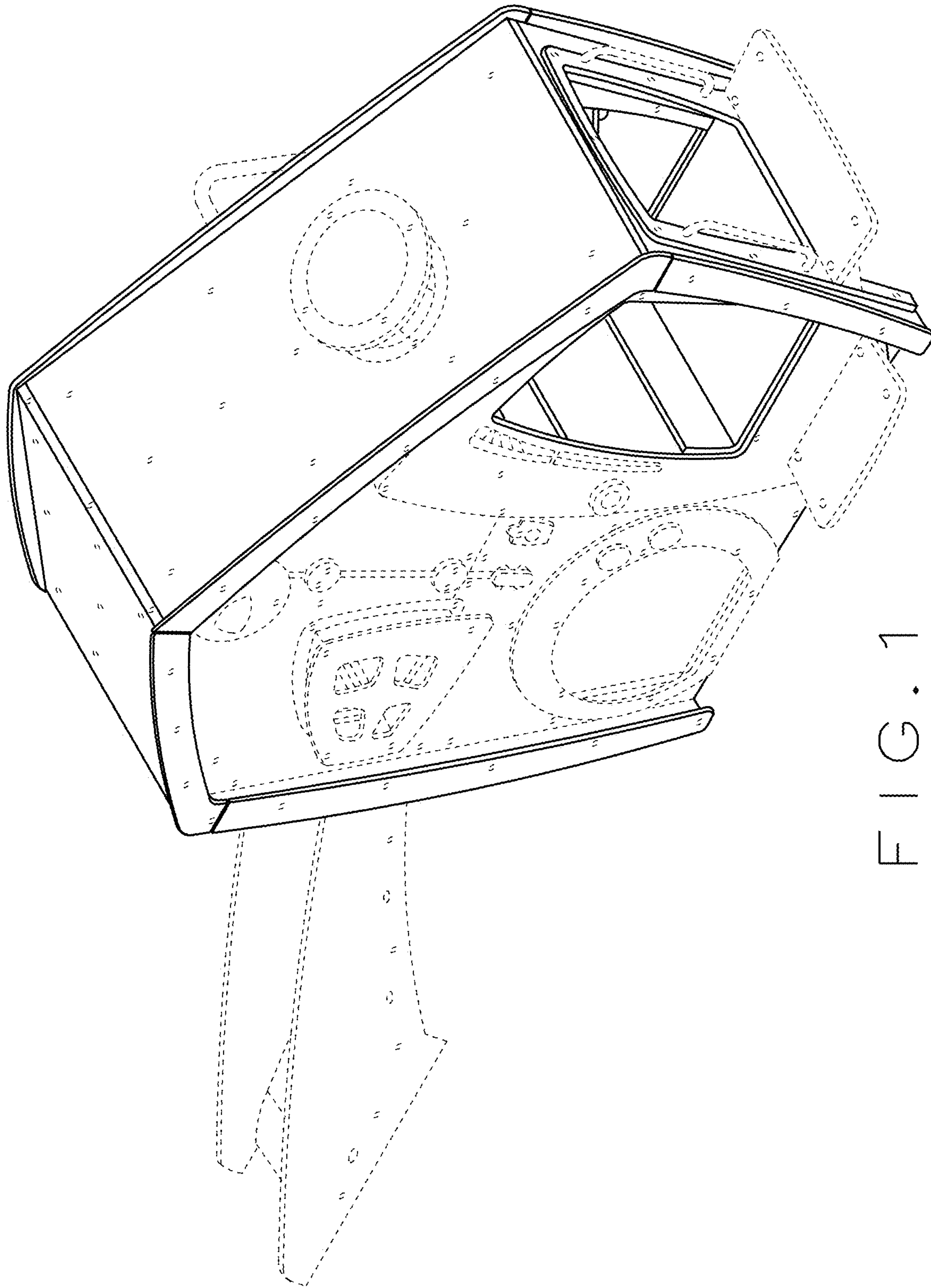


FIG. 1

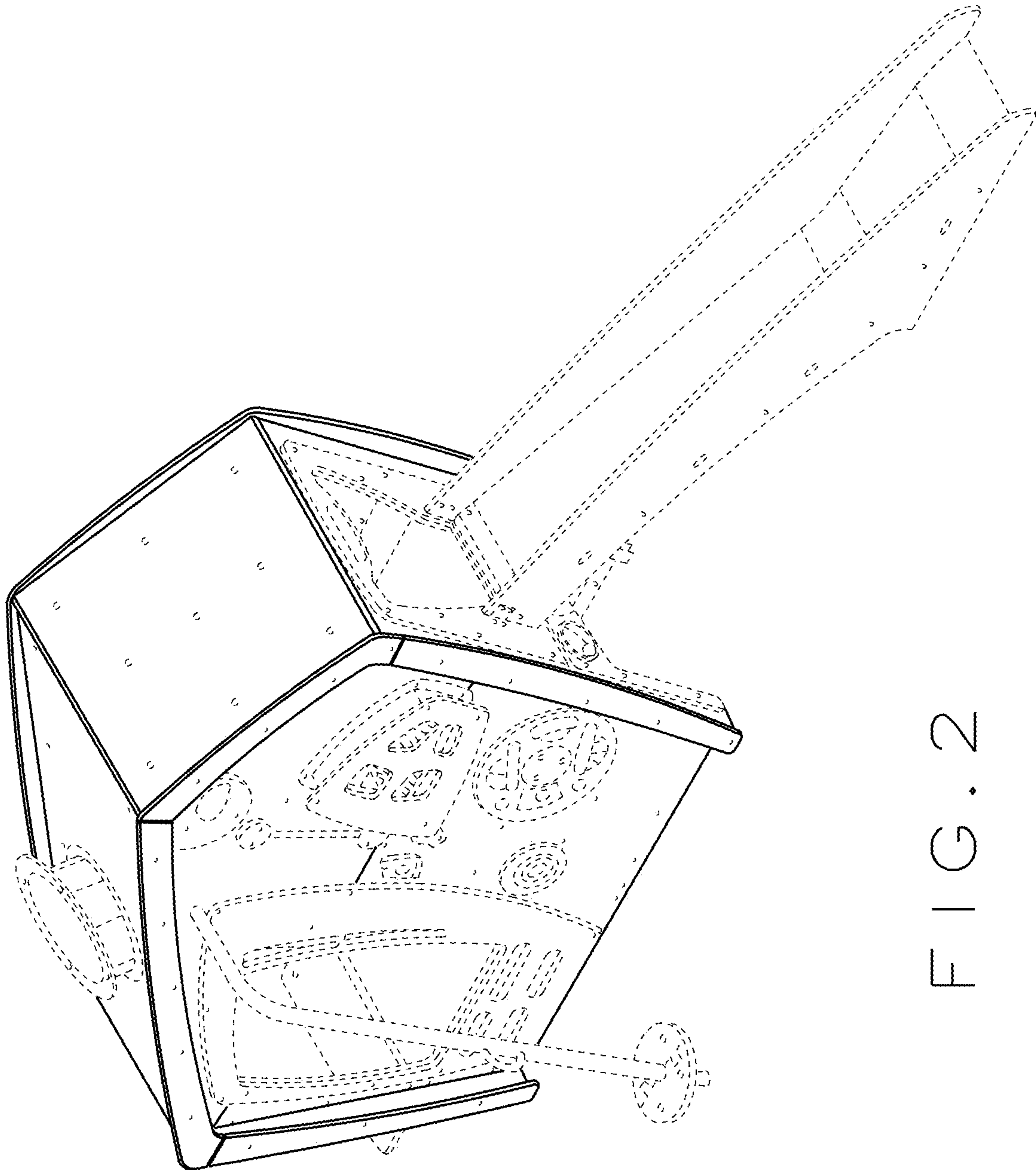


FIG. 2

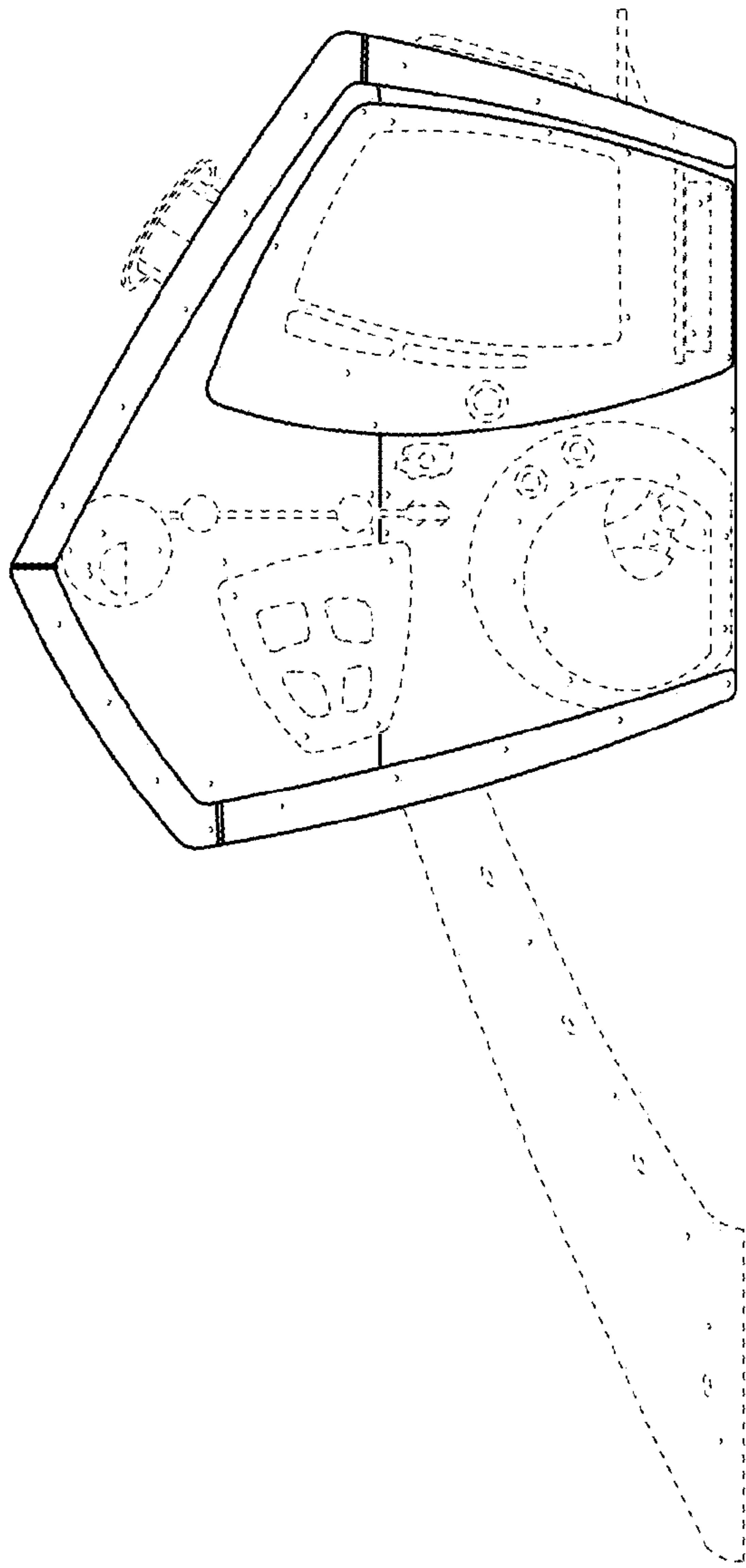


FIG. 4

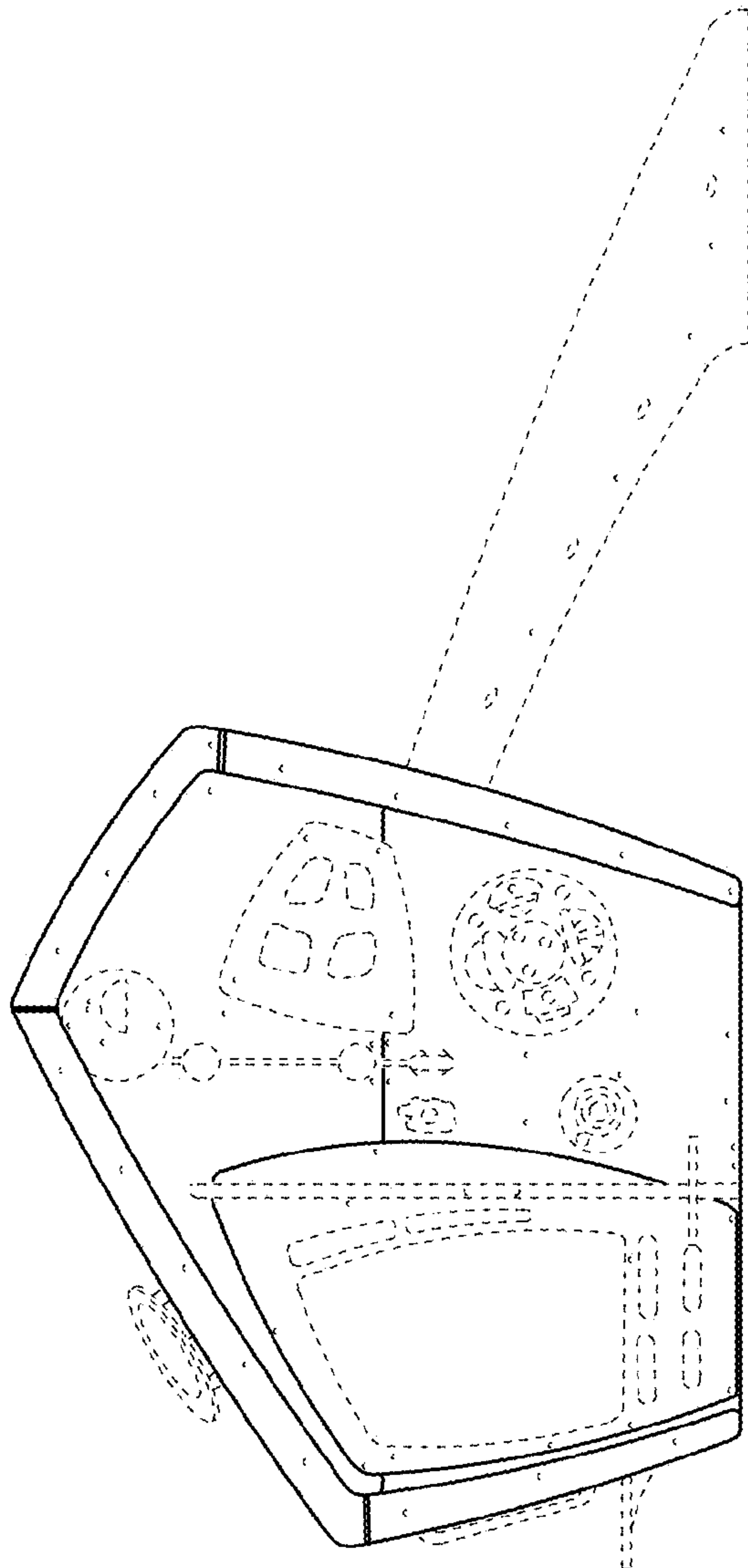


FIG. 3

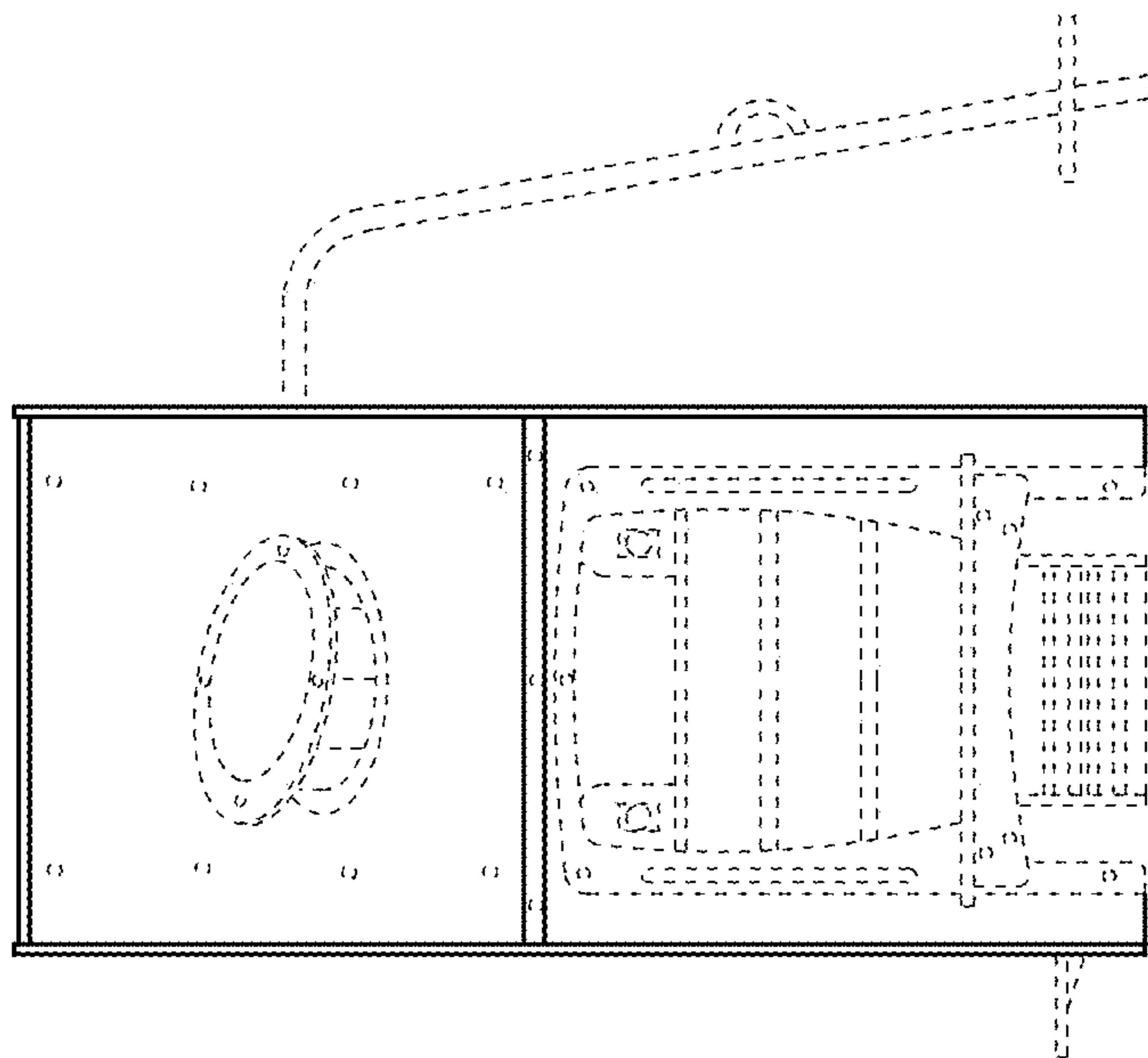


FIG. 5

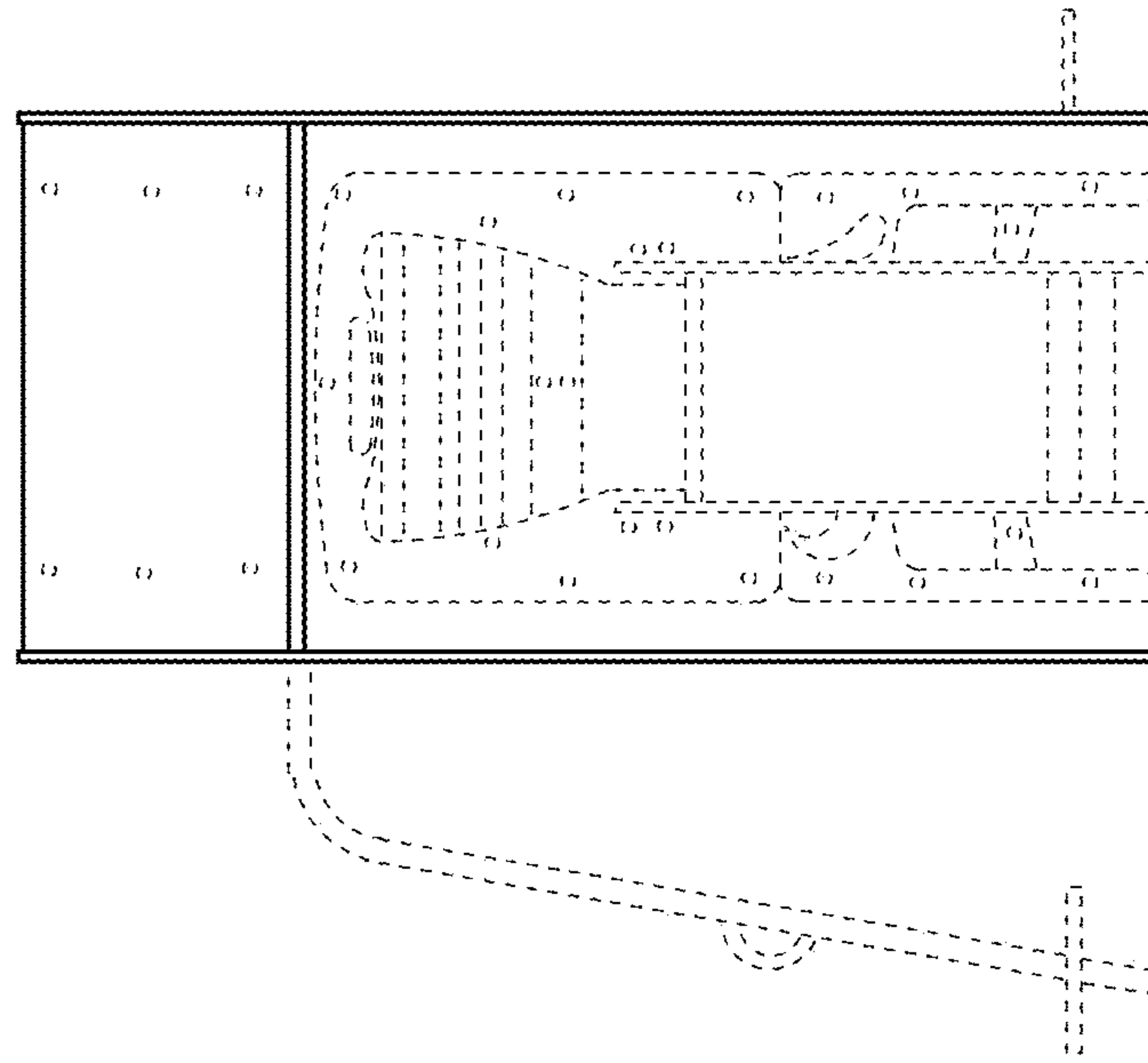


FIG. 6

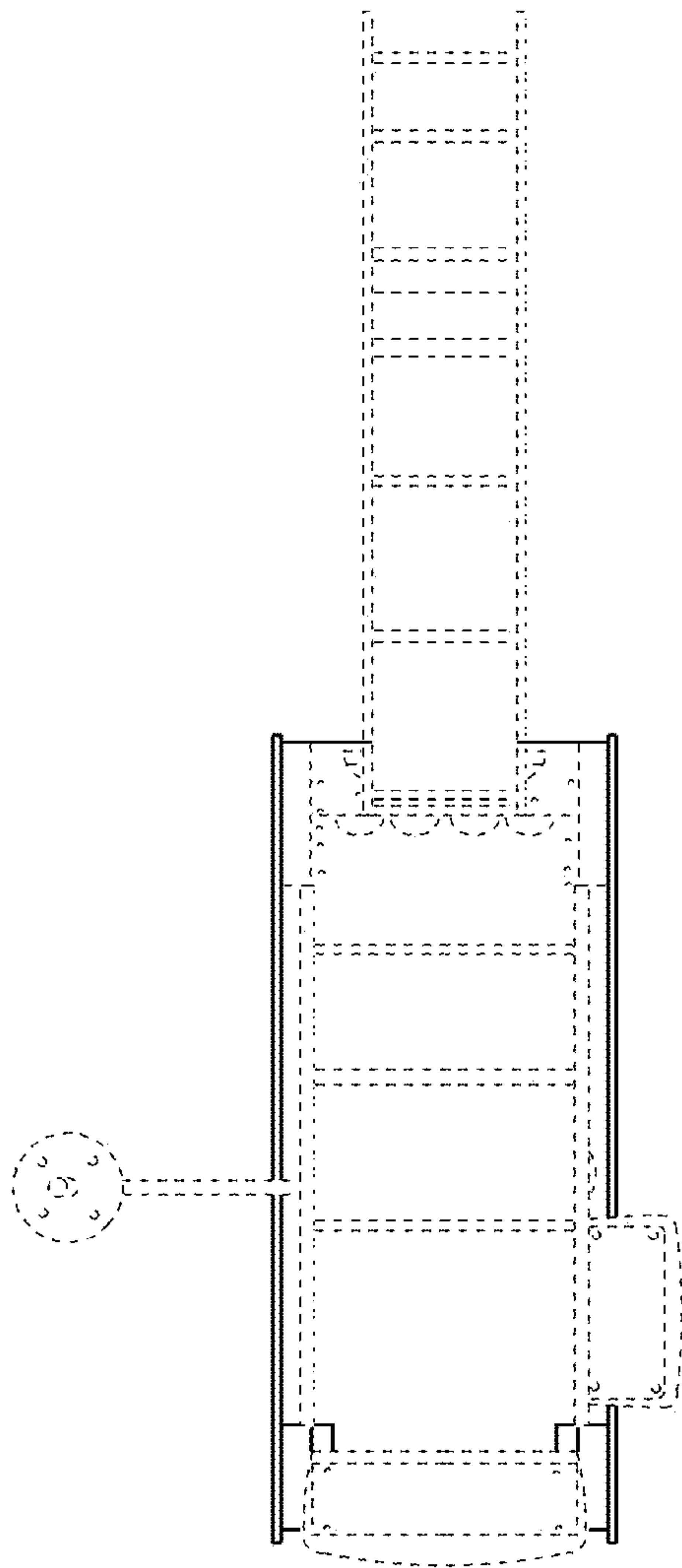


FIG. 7

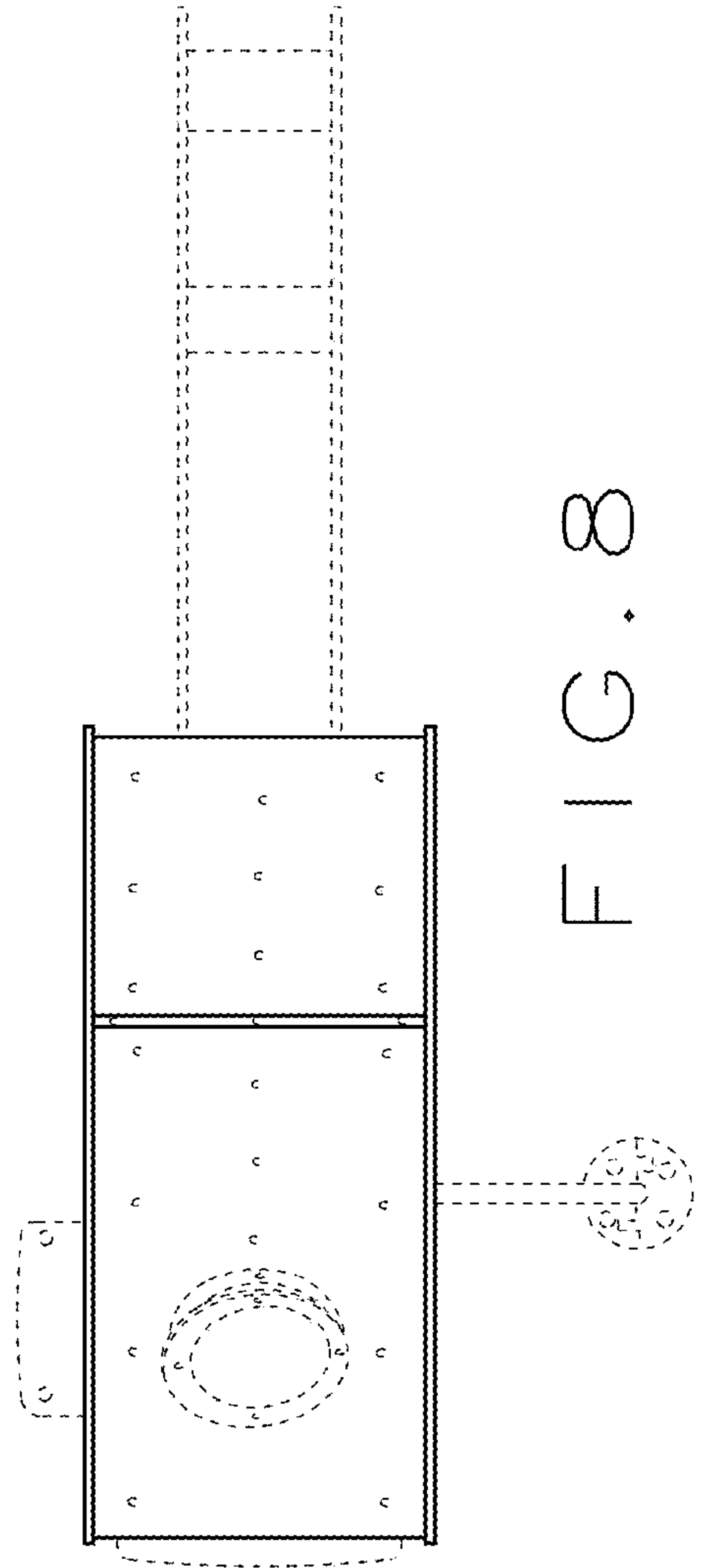


FIG. 8