



US00D943695S

(12) **United States Design Patent** (10) **Patent No.:** **US D943,695 S**  
**Price et al.** (45) **Date of Patent:** **\*\* Feb. 15, 2022**

(54) **GOLF CLUB HEAD**

(71) Applicant: **Taylor Made Golf Company, Inc.**,  
Carlsbad, CA (US)

(72) Inventors: **Bill Price**, Santa Ana, CA (US); **Paul M. Demkowski**, Cardiff, CA (US);  
**Robert Nunez**, Vista, CA (US)

(73) Assignee: **Taylor Made Golf Company, Inc.**,  
Carlsbad, CA (US)

(\*\*) Term: **15 Years**

(21) Appl. No.: **29/724,449**

(22) Filed: **Feb. 14, 2020**

**Related U.S. Application Data**

(63) Continuation of application No. 29/673,879, filed on Dec. 18, 2018, now Pat. No. Des. 893,653, and a continuation of application No. 29/673,882, filed on Dec. 18, 2018, now Pat. No. Des. 893,654.

(51) **LOC (13) Cl.** ..... **21-02**

(52) **U.S. Cl.**  
USPC ..... **D21/759**

(58) **Field of Classification Search**  
USPC ..... D21/736-746, 759  
CPC ..... A63B 53/00; A63B 53/04; A63B 53/007;  
A63B 53/065; A63B 53/0487; A63B  
60/00; A63B 60/46  
See application file for complete search history.

(56) **References Cited**

**U.S. PATENT DOCUMENTS**

D595,370 S \* 6/2009 Ines ..... D21/736  
D600,295 S \* 9/2009 Meeks ..... D21/744  
D606,139 S \* 12/2009 Ines ..... D21/736  
D607,952 S \* 1/2010 Demkowski ..... D21/743  
D701,928 S \* 4/2014 Cameron ..... D21/736

D783,745 S \* 4/2017 Chen ..... D21/743  
D809,616 S \* 2/2018 Toulon ..... D21/736  
D824,462 S \* 7/2018 Bruschi ..... D21/736  
D835,217 S \* 12/2018 Nicolette ..... D21/736  
D837,911 S \* 1/2019 Bruschi ..... D21/736  
D844,085 S \* 3/2019 Nicolette ..... D21/743

(Continued)

*Primary Examiner* — Mitchell I. Siegel

(74) *Attorney, Agent, or Firm* — Klarquist Sparkman LLP

(57) **CLAIM**

We claim the ornamental design for a golf club head, as shown and described.

**DESCRIPTION**

FIG. 1 is a perspective view of a golf club head, as viewed from the front, above and one side.

FIG. 2 is a front elevation view of a golf club head of FIG. 1.

FIG. 3 is a rear elevation view of the golf club head of FIG. 1.

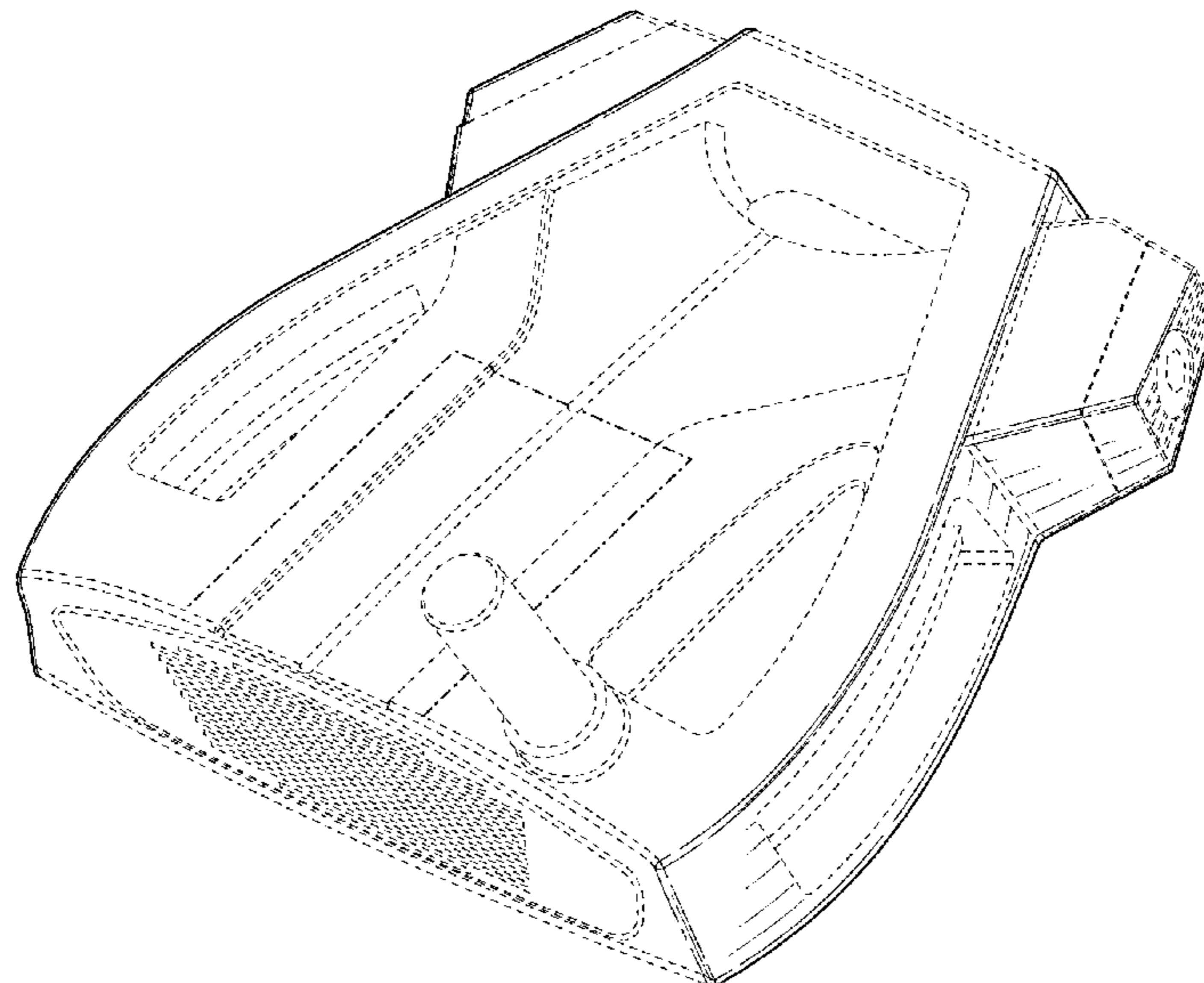
FIG. 4 is a side elevation view of a toe side of the golf club head of FIG. 1.

FIG. 5 is a side elevation view of a heel side of the golf club head of FIG. 1.

FIG. 6 is a top plan view of the golf club head of FIG. 1; and, FIG. 7 is a bottom plan view of the golf club head of FIG. 1.

The broken lines in the drawings are for purpose of illustrating environmental structure as well as portions of the design that form no part of the present claimed design. The dash-dot broken lines represent a boundary and form no part of the claimed design. The dash-dot broken lines encircle unclaimed features which may be claimed later by amendment or continuation, namely, a centrally located surface area on the head's top surface adjacent a front face portion of the head and bounded on both heel and toe sides by adjacent upper surfaces having a color which contrasts with a color of the centrally located surface area.

**1 Claim, 4 Drawing Sheets**



(56)

**References Cited**

U.S. PATENT DOCUMENTS

D844,723	S	*	4/2019	Nicolette	.....	D21/743
D859,545	S	*	9/2019	Long	.....	D21/736
D861,091	S	*	9/2019	Glorioso	.....	D21/743
D877,831	S	*	3/2020	Cameron	.....	D21/736
D892,243	S	*	8/2020	Rollinson	.....	D21/743
D893,653	S	*	8/2020	Price	.....	D21/759
D893,654	S	*	8/2020	Price	.....	D21/759
D895,037	S	*	9/2020	Clarke	.....	D21/736
D896,328	S	*	9/2020	Clarke	.....	D21/743
D907,730	S	*	1/2021	Rollinson	.....	D21/759
D909,504	S	*	2/2021	Schweigert	.....	D21/736
2010/0184527	A1	*	7/2010	Demkowski	.....	A63B 53/04 473/251

\* cited by examiner

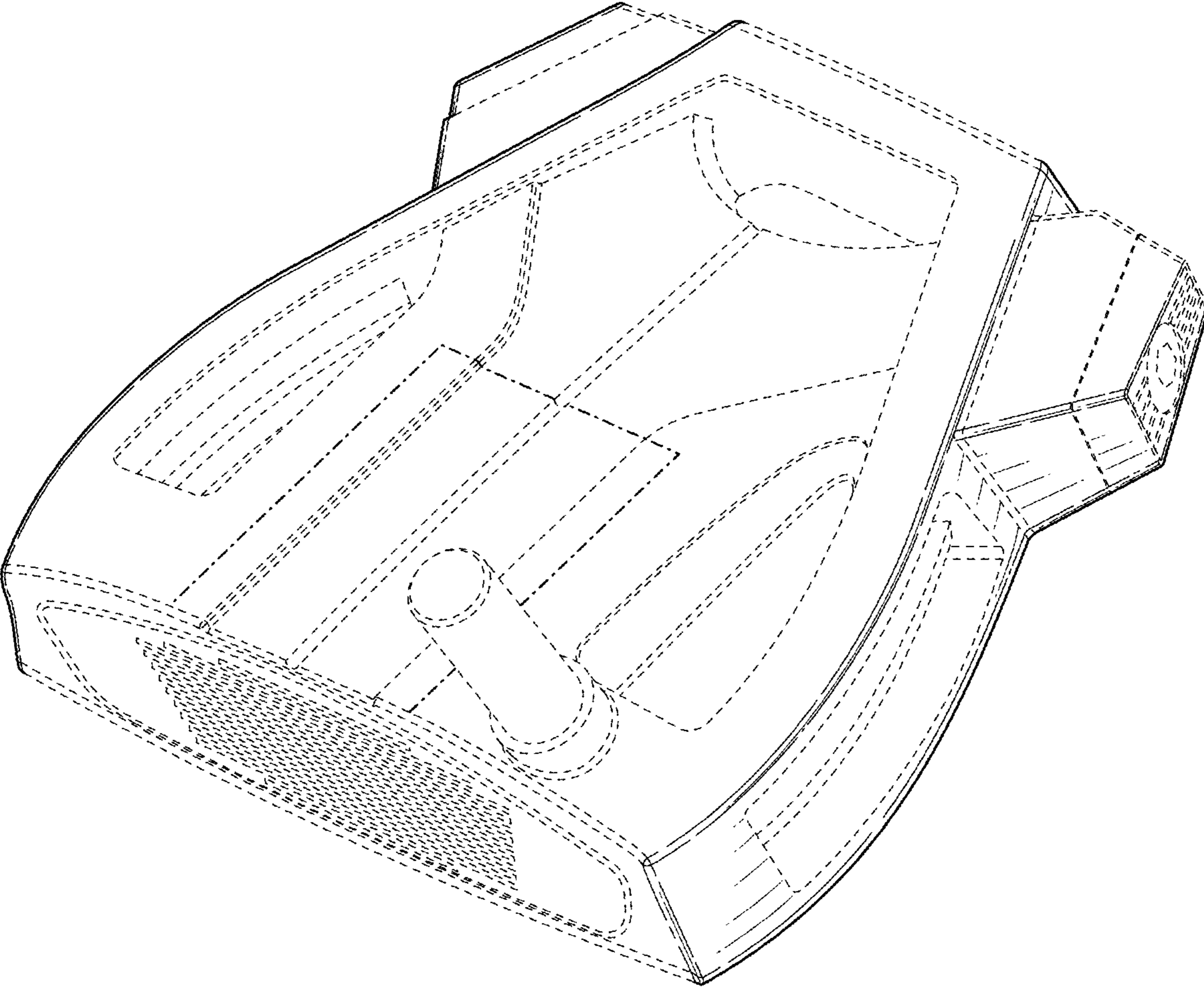


FIG. 1

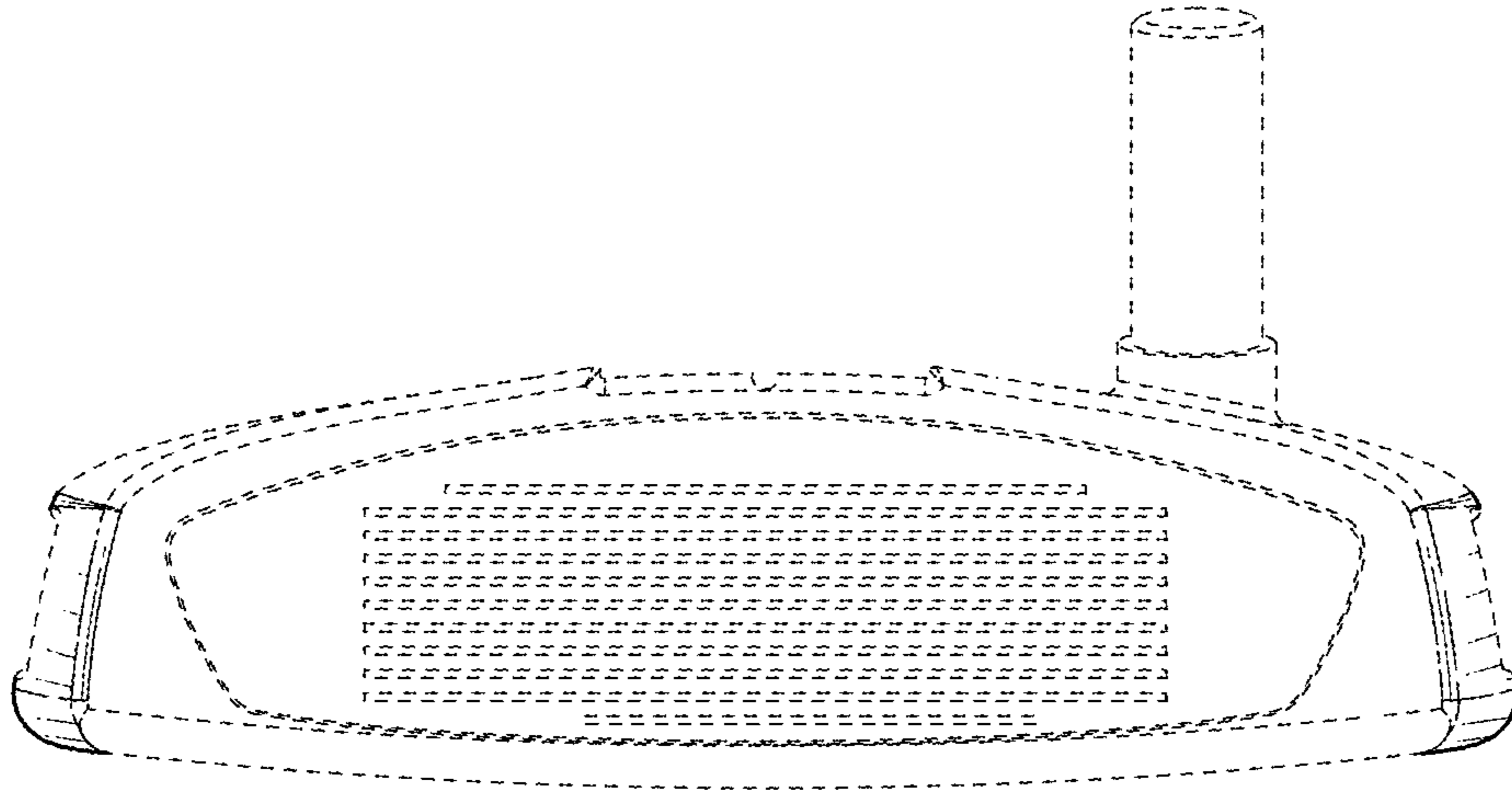


FIG. 2

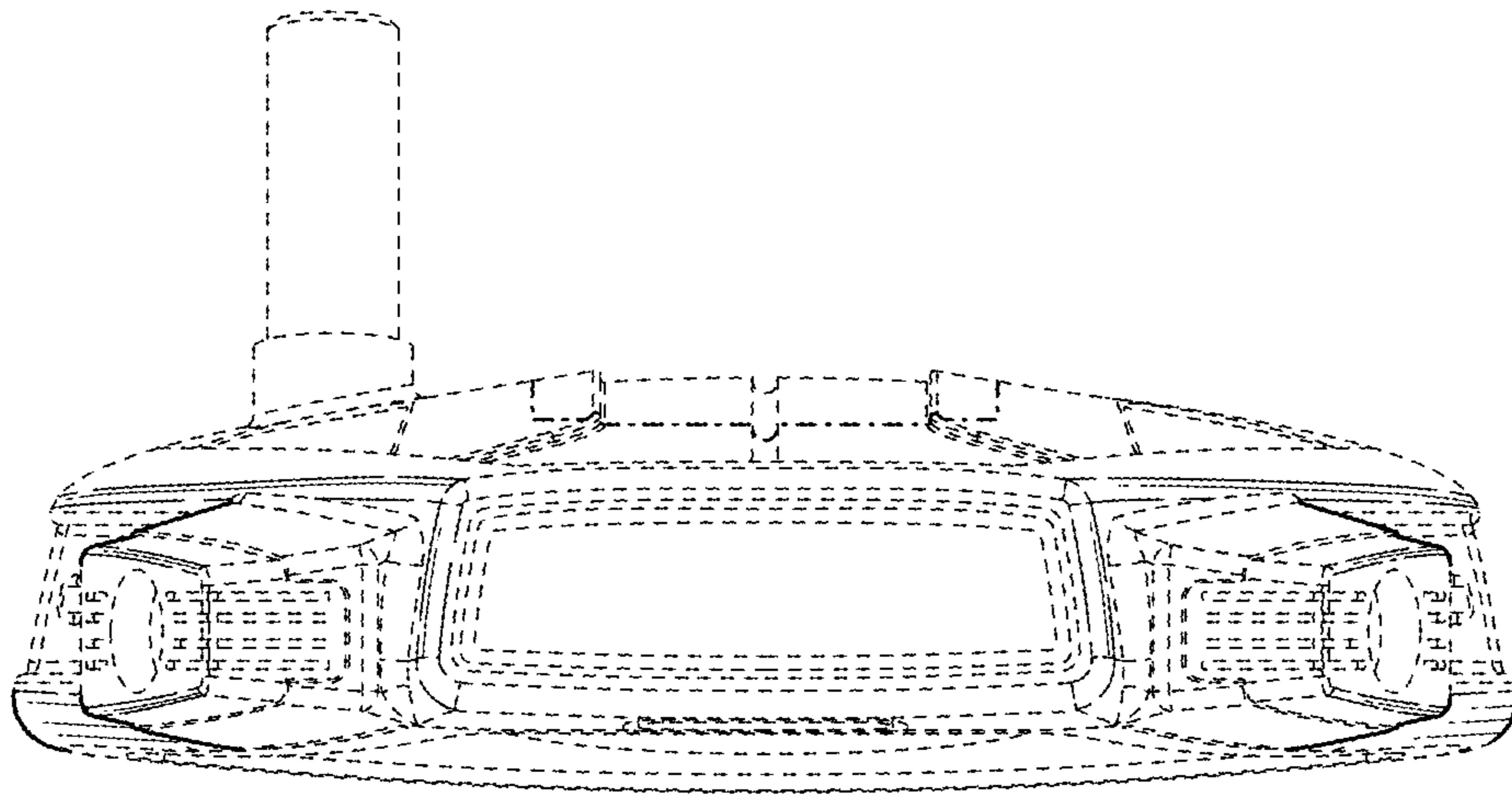


FIG. 3

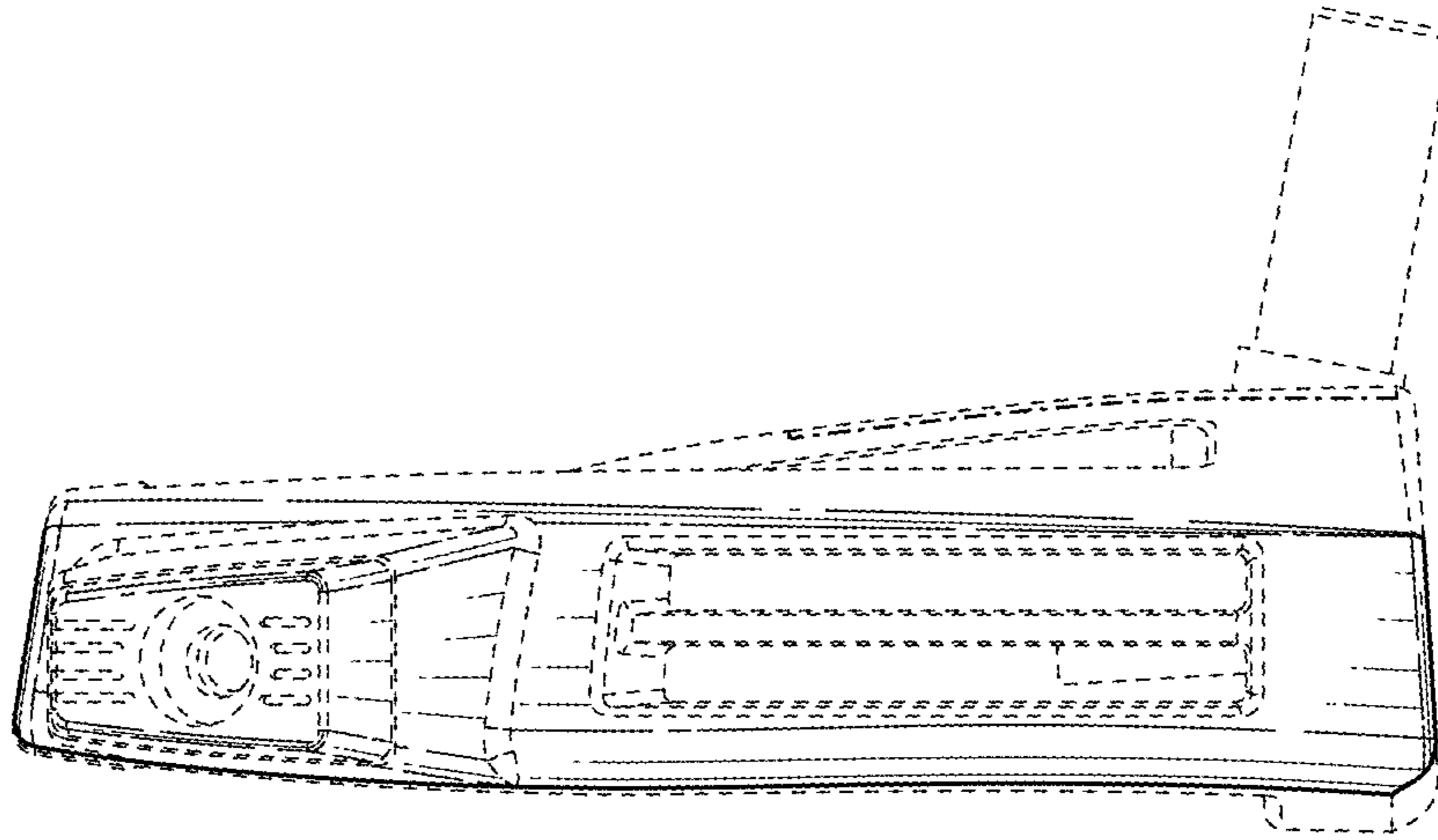


FIG. 4

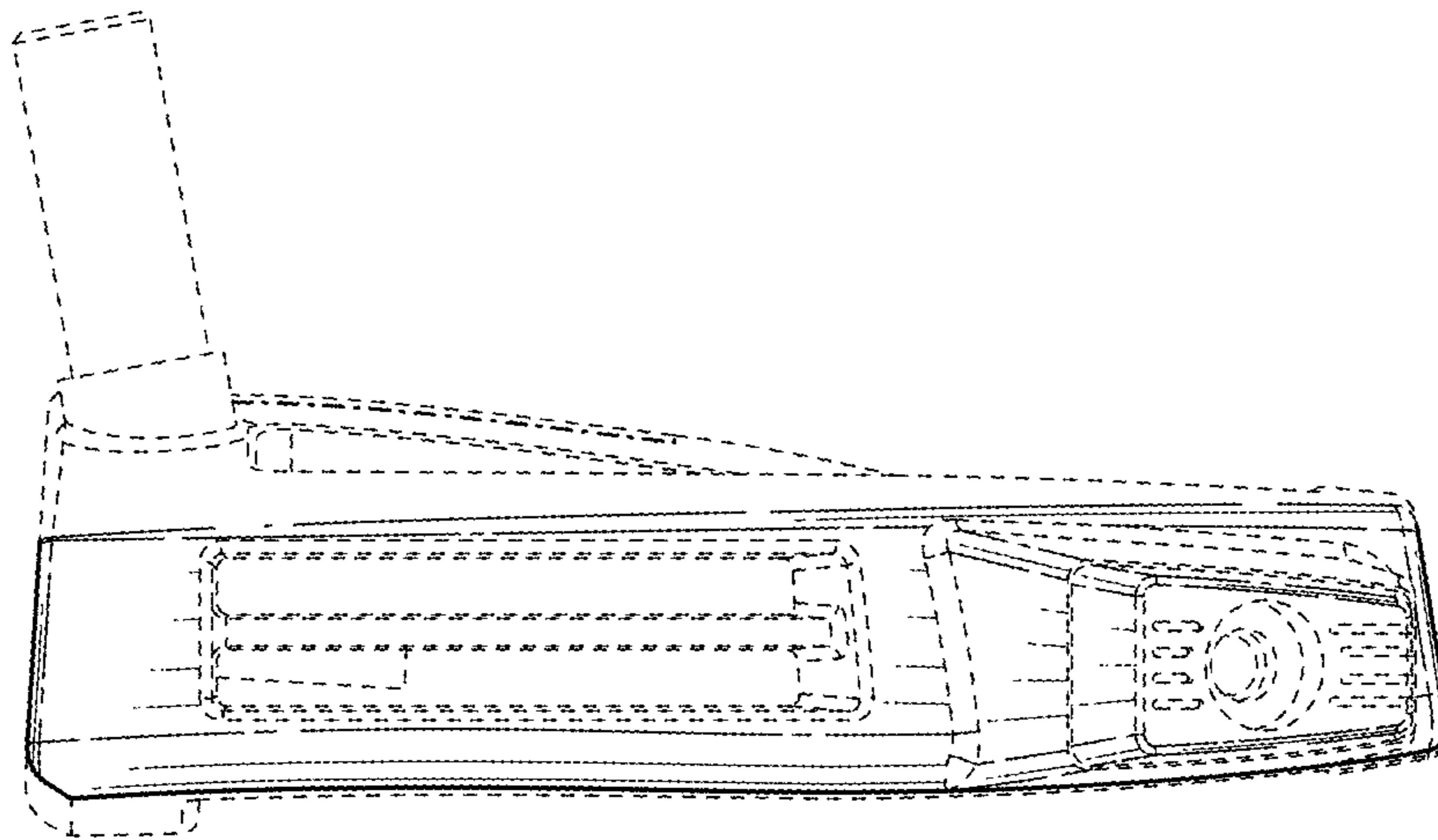


FIG. 5

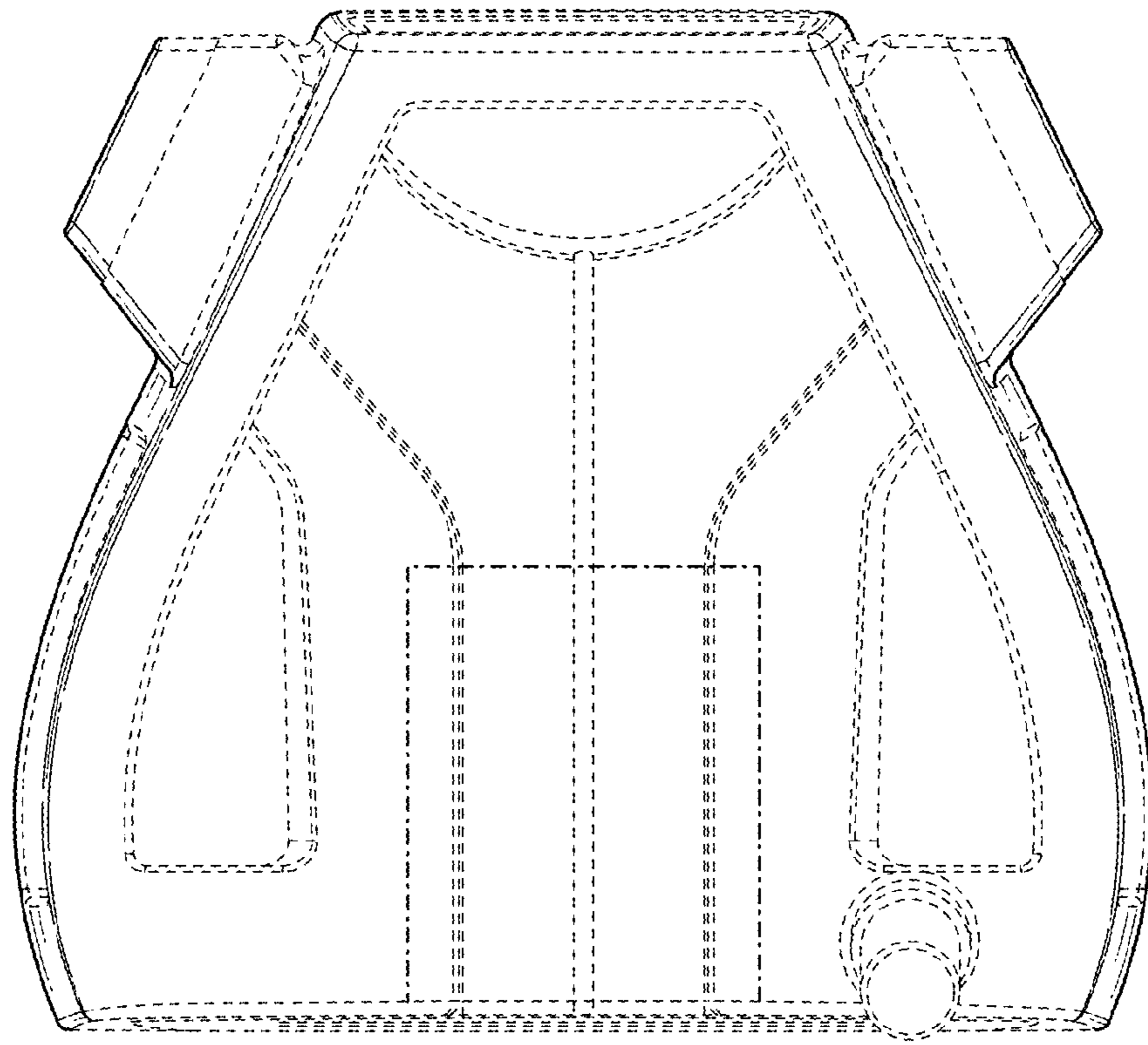


FIG. 6

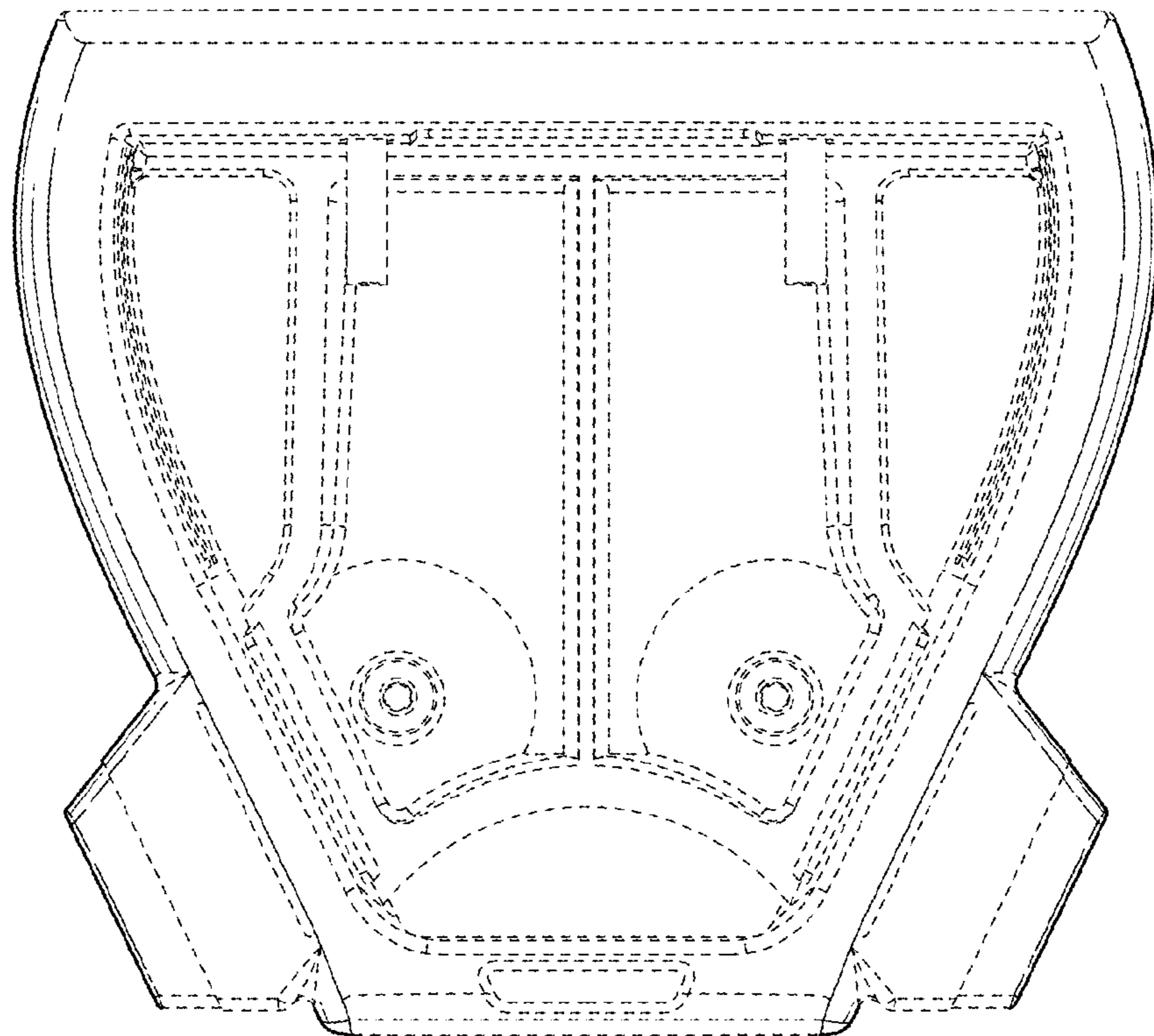


FIG. 7