



US00D943694S

(12) **United States Design Patent** (10) **Patent No.:** **US D943,694 S**  
**Price et al.** (45) **Date of Patent:** **\*\* Feb. 15, 2022**

- (54) **GOLF CLUB HEAD**
- (71) Applicant: **Taylor Made Golf Company, Inc.**,  
Carlsbad, CA (US)
- (72) Inventors: **Bill Price**, Santa Ana, CA (US); **Paul M. Demkowski**, Cardiff, CA (US);  
**Robert Nunez**, Vista, CA (US)
- (73) Assignee: **Taylor Made Golf Company, Inc.**,  
Carlsbad, CA (US)

D783,745 S *	4/2017	Chen .....	D21/743
D809,616 S *	2/2018	Toulon .....	D21/736
D824,462 S *	7/2018	Bruschi .....	D21/736
D835,217 S *	12/2018	Nicolette .....	D21/736
D837,911 S *	1/2019	Bruschi .....	D21/736
D844,085 S *	3/2019	Nicolette .....	D21/743
D844,723 S *	4/2019	Nicolette .....	D21/743
D859,545 S *	9/2019	Long .....	D21/736
D861,091 S *	9/2019	Glorioso .....	D21/743
D877,831 S *	3/2020	Cameron .....	D21/736
D892,243 S *	8/2020	Rollinson .....	D21/743
D893,653 S *	8/2020	Price .....	D21/759

(Continued)

(\*\*) Term: **15 Years**

*Primary Examiner* — Mitchell I. Siegel

(21) Appl. No.: **29/724,432**

(74) *Attorney, Agent, or Firm* — Klarquist Sparkman LLP

(22) Filed: **Feb. 14, 2020**

(57) **CLAIM**

We claim the ornamental design for a golf club head, as shown and described.

**Related U.S. Application Data**

(63) Continuation of application No. 29/673,879, filed on Dec. 18, 2018, now Pat. No. Des. 893,653, and a continuation of application No. 29/673,882, filed on Dec. 18, 2018, now Pat. No. Des. 893,654.

**DESCRIPTION**

(51) **LOC (13) Cl.** ..... **21-02**

FIG. 1 is a perspective view of a golf club head, as viewed from the front, above and one side.

(52) **U.S. Cl.**  
USPC ..... **D21/759**

FIG. 2 is a front elevation view of a golf club head of FIG. 1.

(58) **Field of Classification Search**  
USPC ..... D21/736–746, 759  
CPC ..... A63B 53/00; A63B 53/04; A63B 53/007;  
A63B 53/065; A63B 53/0487; A63B  
60/00; A63B 60/46

FIG. 3 is a rear elevation view of the golf club head of FIG. 1.

FIG. 4 is a side elevation view of a toe side of the golf club head of FIG. 1.

FIG. 5 is a side elevation view of a heel side of the golf club head of FIG. 1.

See application file for complete search history.

FIG. 6 is a top plan view of the golf club head of FIG. 1; and, FIG. 7 is a bottom plan view of the golf club head of FIG. 1.

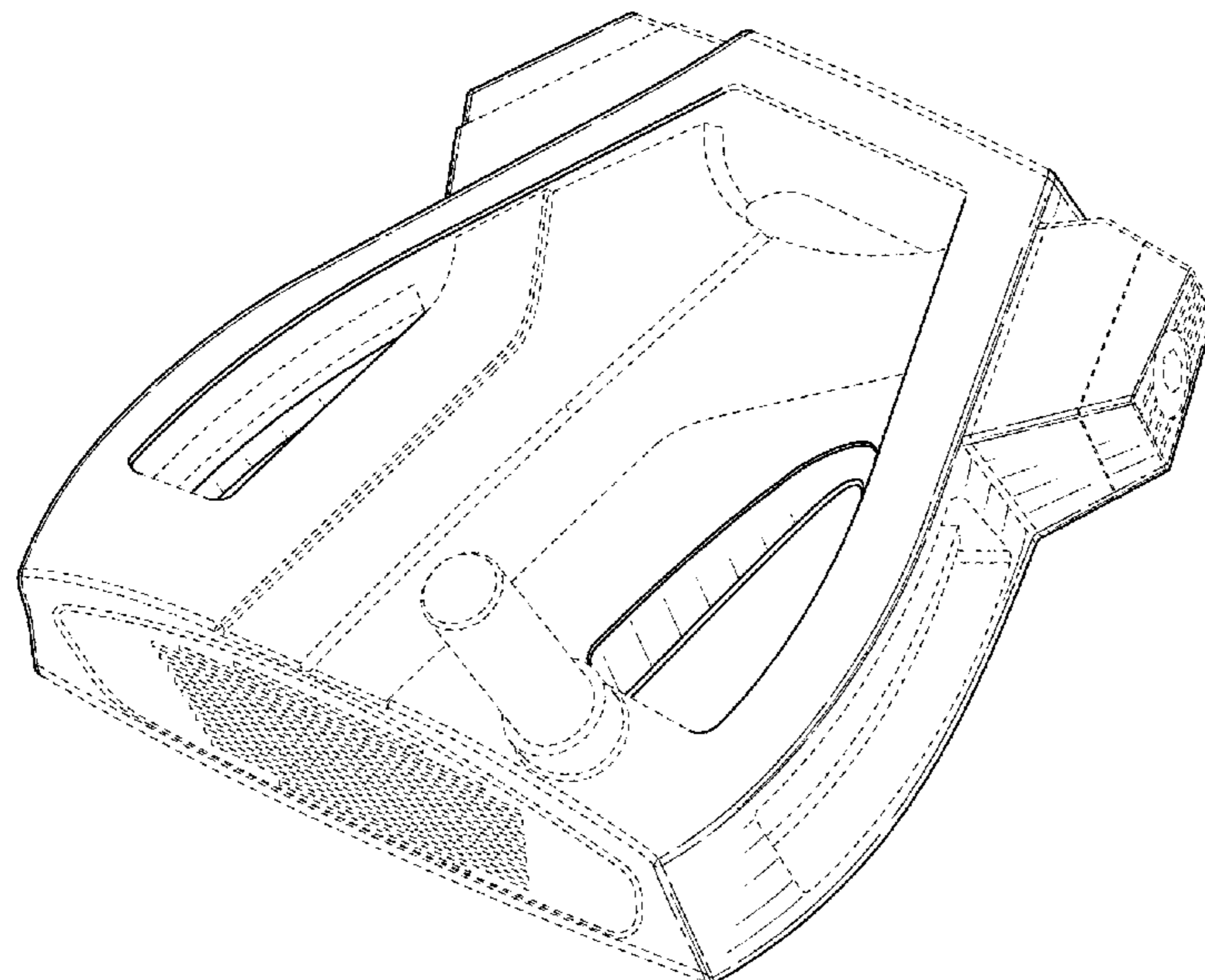
(56) **References Cited**

The broken lines in the drawings are for purpose of illustrating environmental structure as well as portions of the design that form no part of the present claimed design. The dash-dot broken lines represent a boundary and form no part of the claimed design.

**U.S. PATENT DOCUMENTS**

D595,370 S *	6/2009	Ines .....	D21/736
D600,295 S *	9/2009	Meeks .....	D21/744
D606,139 S *	12/2009	Ines .....	D21/736
D607,952 S *	1/2010	Demkowski .....	D21/743
D701,928 S *	4/2014	Cameron .....	D21/736

**1 Claim, 4 Drawing Sheets**



(56)

**References Cited**

U.S. PATENT DOCUMENTS

D893,654 S *	8/2020	Price .....	D21/759
D895,037 S *	9/2020	Clarke .....	D21/736
D896,328 S *	9/2020	Clarke .....	D21/743
D907,730 S *	1/2021	Rollinson .....	D21/759
D909,504 S *	2/2021	Schweigert .....	D21/736
2010/0184527 A1 *	7/2010	Demkowski .....	A63B 53/04 473/251

\* cited by examiner

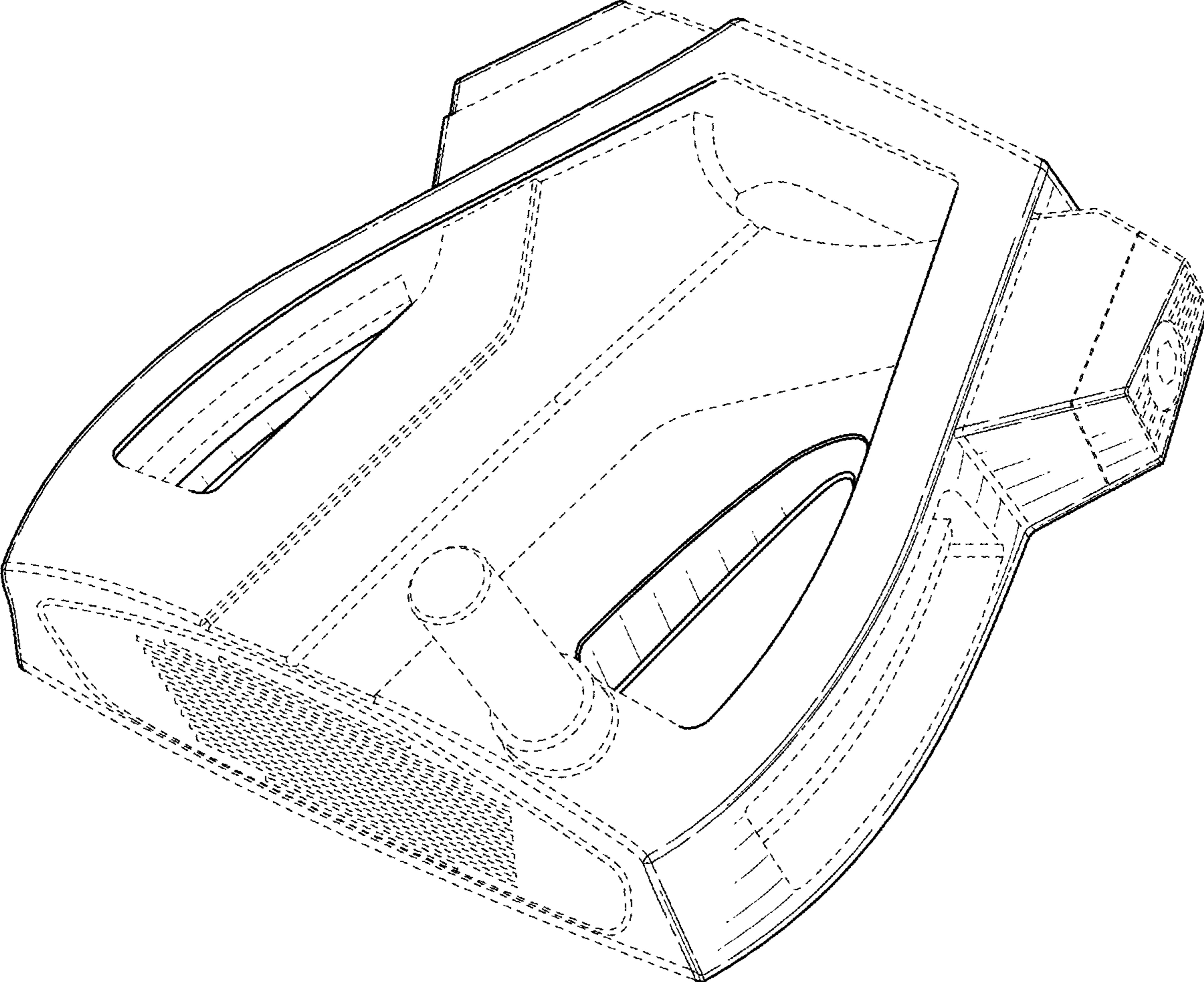


FIG. 1

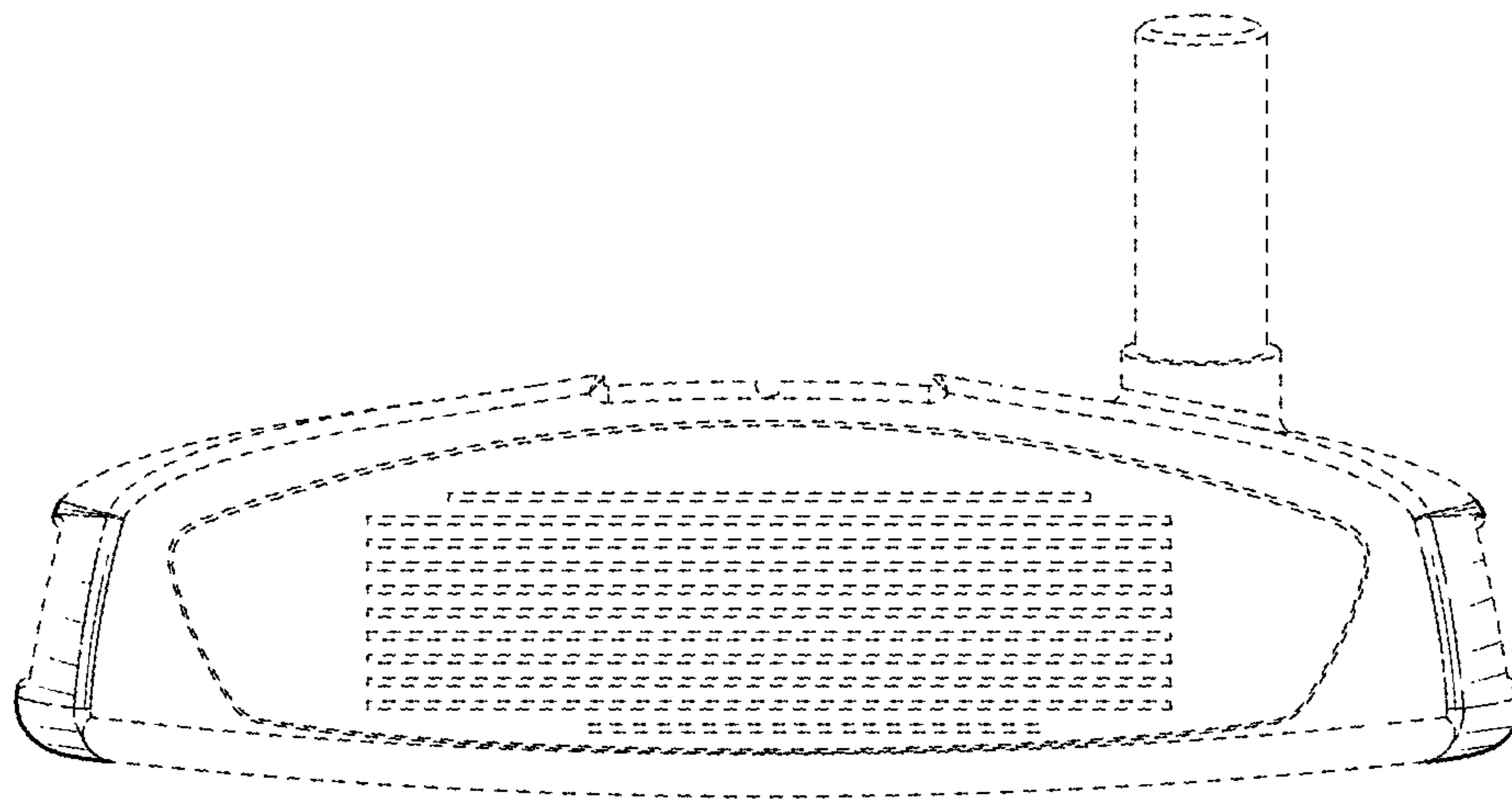


FIG. 2

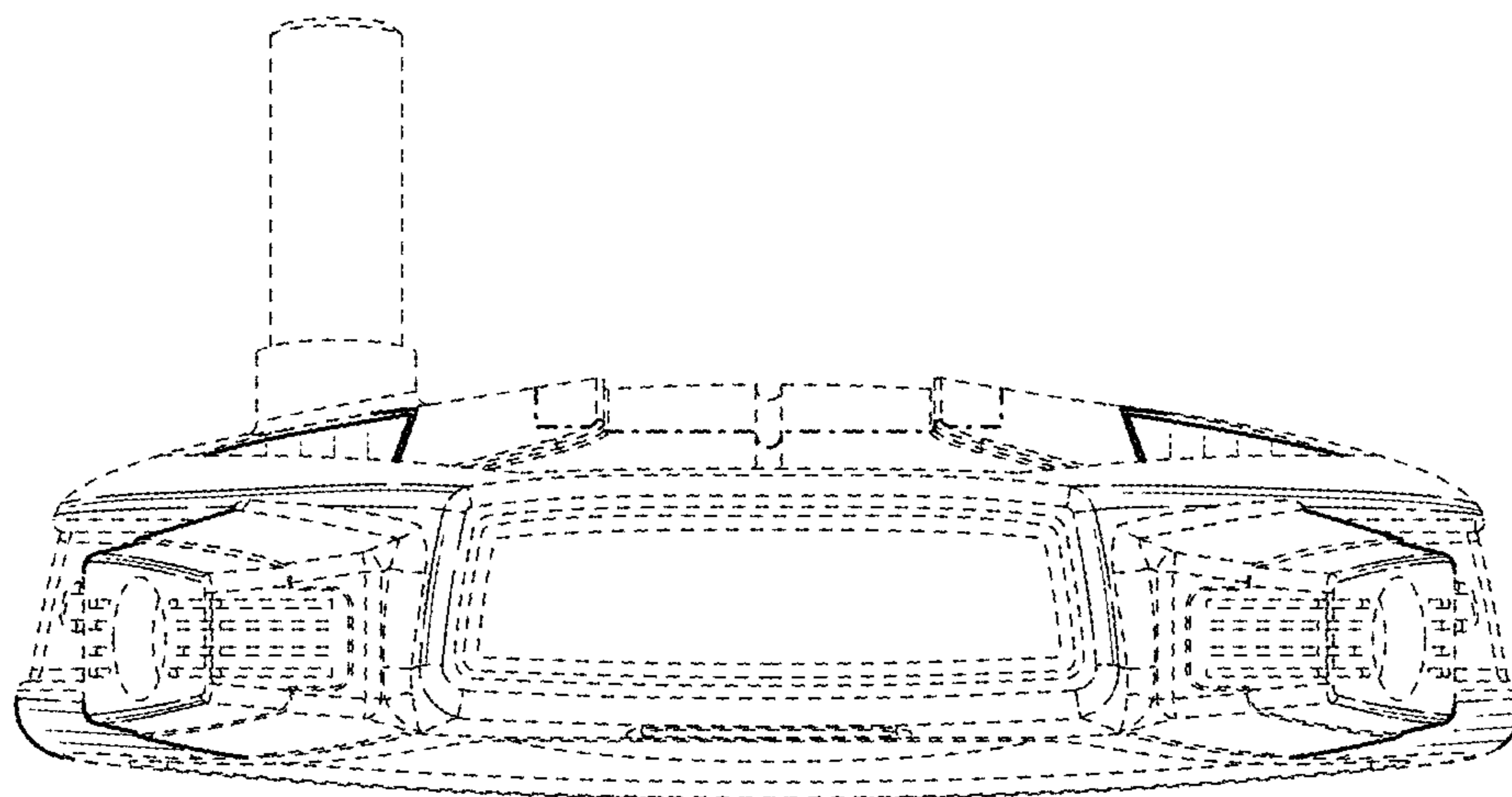


FIG. 3

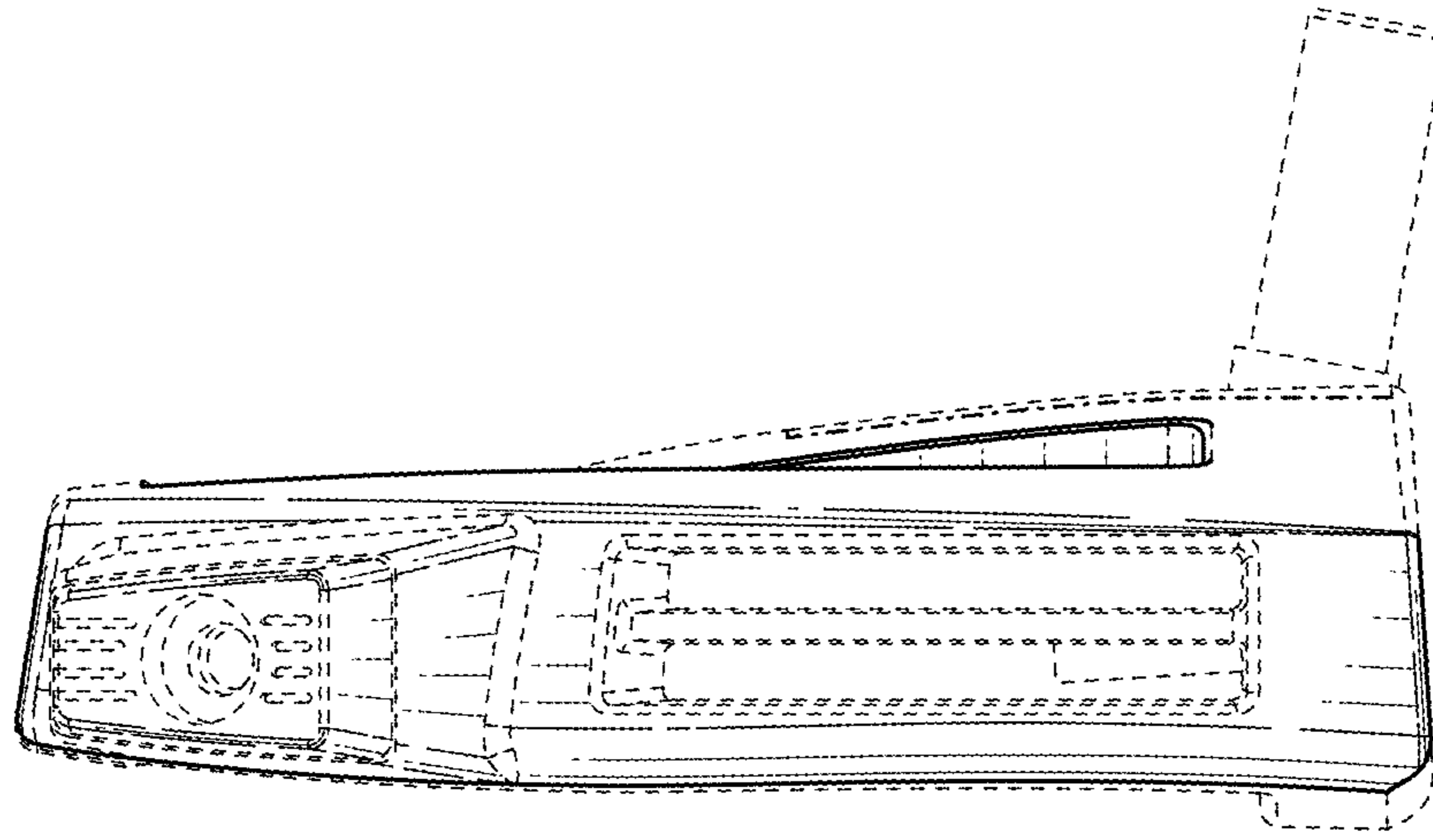


FIG. 4

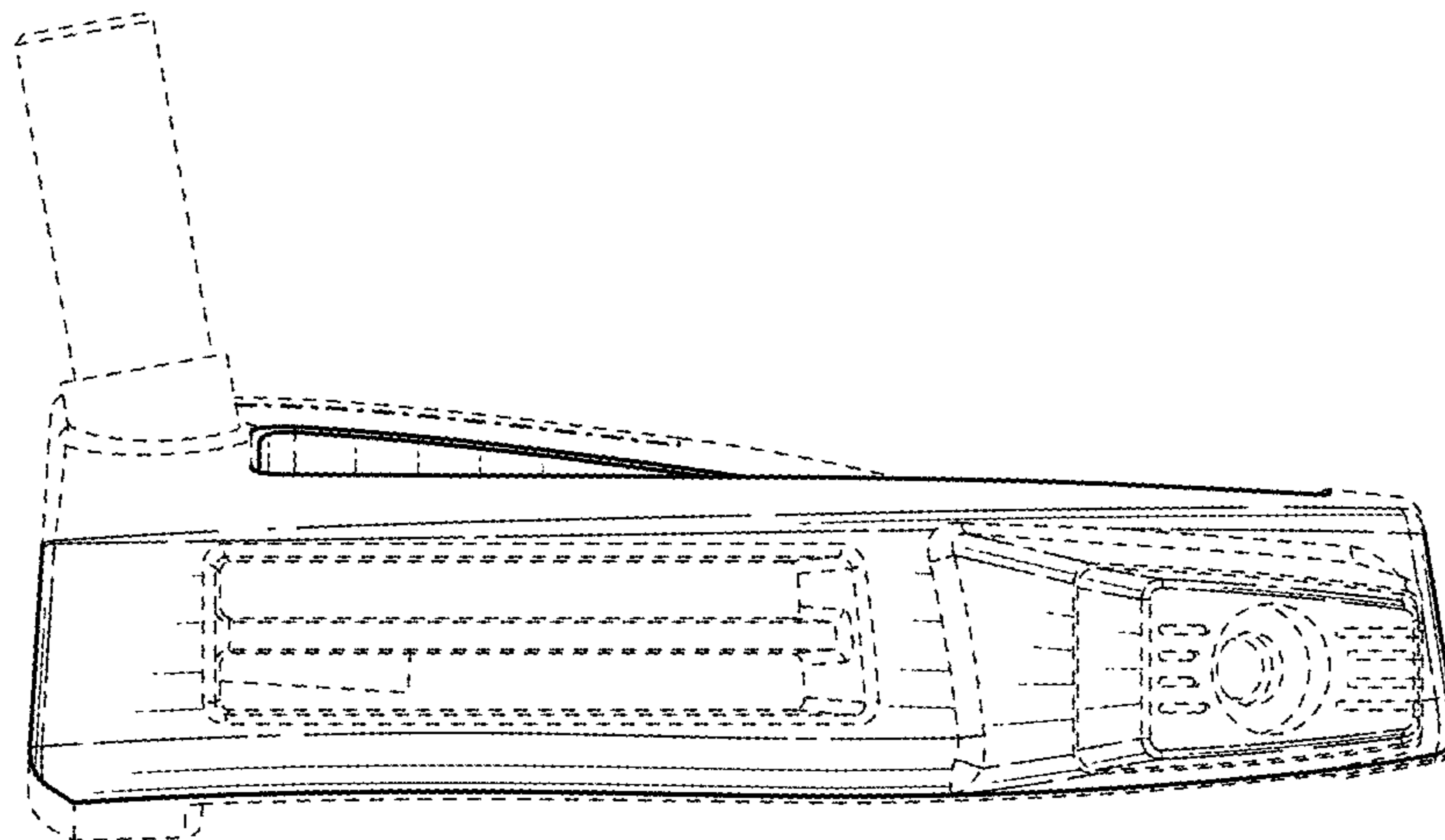


FIG. 5

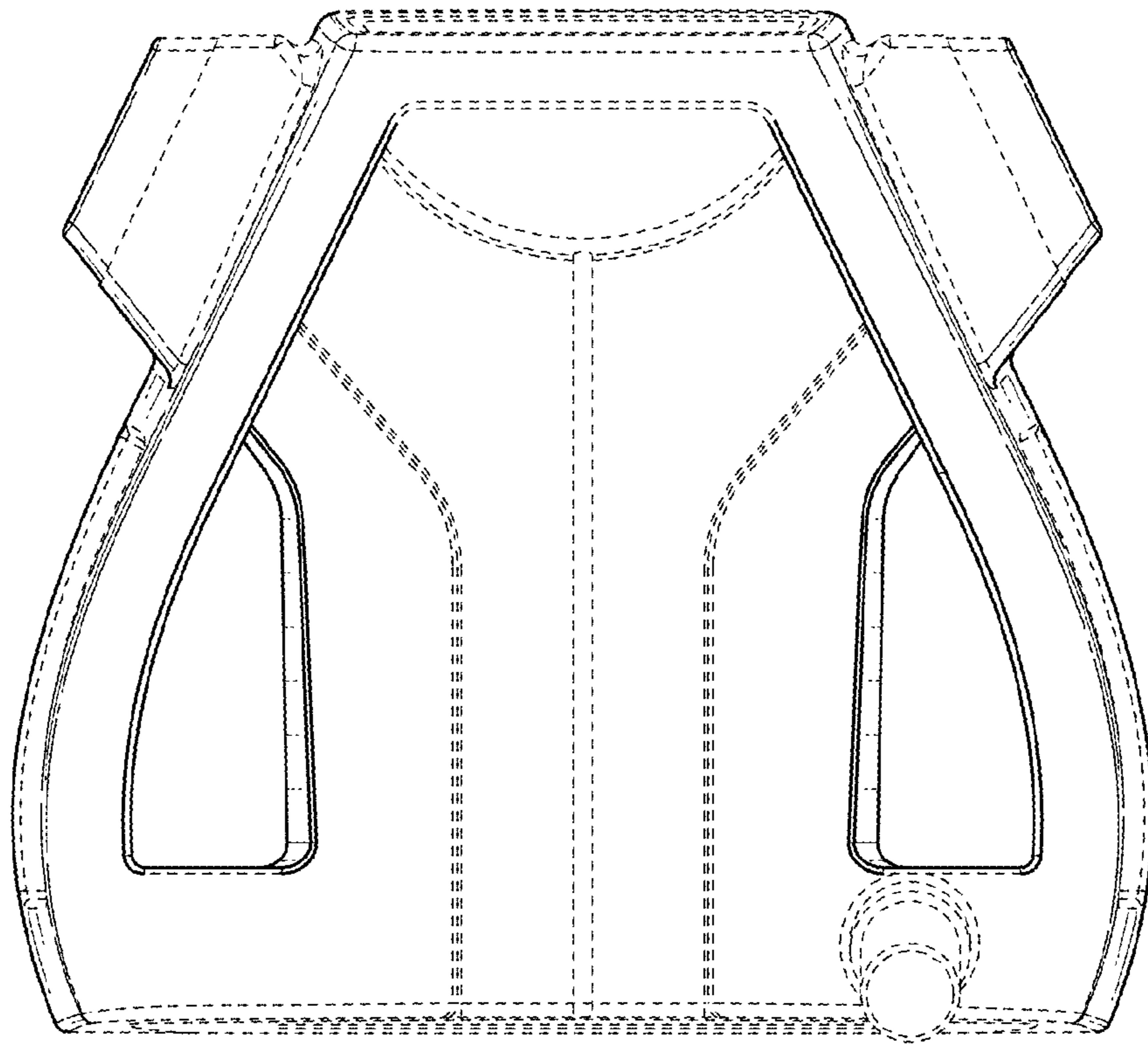


FIG. 6

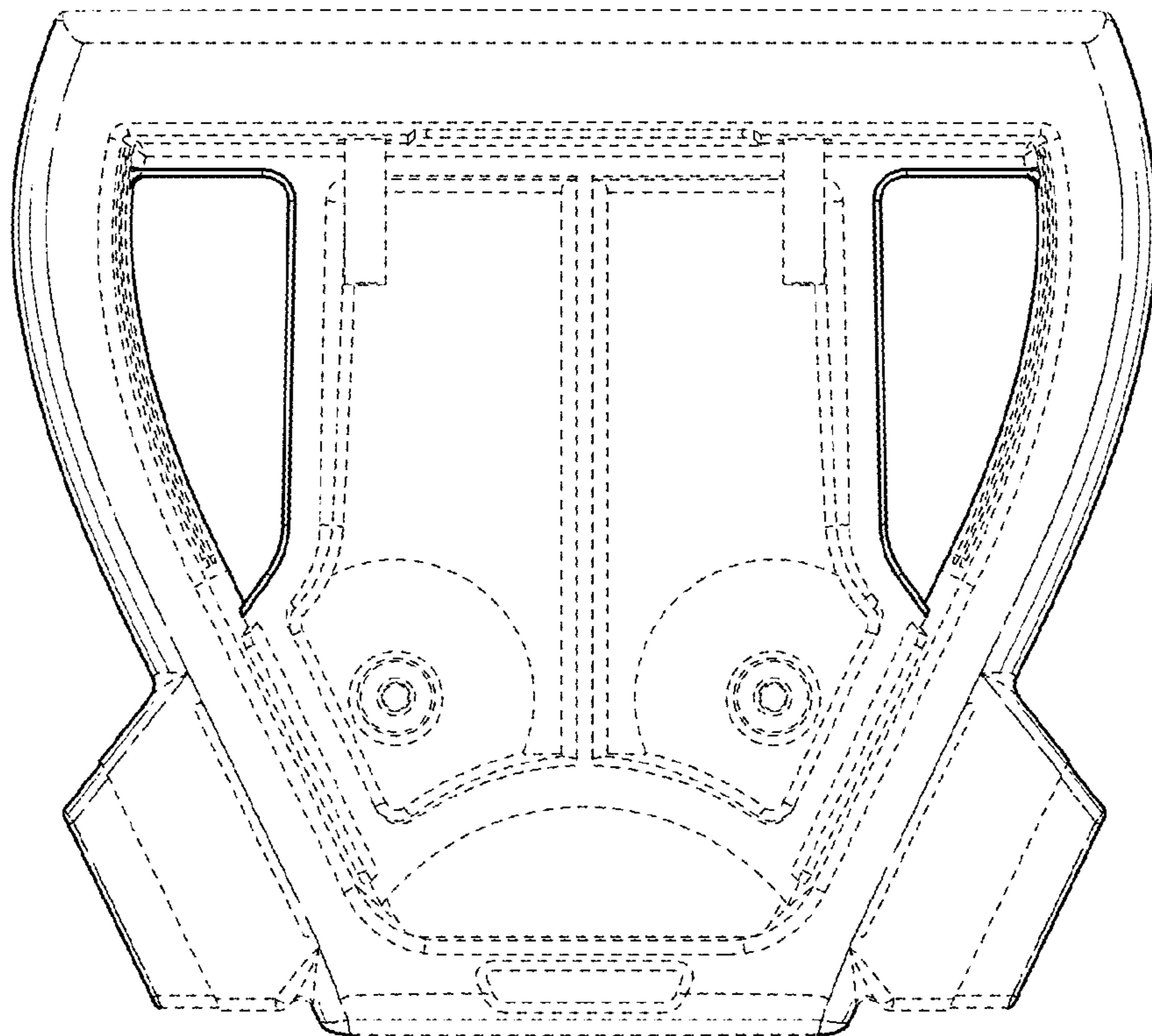


FIG. 7