



US00D943692S

(12) **United States Design Patent**
Rollinson et al.

(10) **Patent No.:** **US D943,692 S**

(45) **Date of Patent:** **** Feb. 15, 2022**

(54) **PUTTER HEAD**

(71) Applicant: **Callaway Golf Company**, Carlsbad,
CA (US)

(72) Inventors: **Augustin W. Rollinson**, Solana Beach,
CA (US); **Patrick Dawson**, San Diego,
CA (US)

(73) Assignee: **Callaway Golf Company**, Carlsbad,
CA (US)

(**) Term: **15 Years**

(21) Appl. No.: **29/747,073**

(22) Filed: **Aug. 19, 2020**

(51) **LOC (13) Cl.** **21-02**

(52) **U.S. Cl.**
USPC **D21/744**

(58) **Field of Classification Search**
USPC D21/736-746, 759
CPC A63B 53/00; A63B 53/04; A63B 53/007;
A63B 53/065; A63B 53/0487; A63B
60/00; A63B 60/46
See application file for complete search history.

(56) **References Cited**

U.S. PATENT DOCUMENTS

D715,388 S * 10/2014 Serrano D21/743
D774,607 S * 12/2016 Serrano D21/743

D774,610 S * 12/2016 Serrano D21/744
D797,222 S * 9/2017 Serrano D21/744
D832,950 S * 11/2018 Serrano D21/746
D840,482 S * 2/2019 Serrano D21/736
D879,222 S * 3/2020 Serrano D21/742
D898,848 S * 10/2020 Clarke D21/743
D934,363 S * 10/2021 Serrano D21/746

* cited by examiner

Primary Examiner — Mitchell I. Siegel

(74) *Attorney, Agent, or Firm* — Rebecca Hanovice;
Michael Catania; Sonia Lari

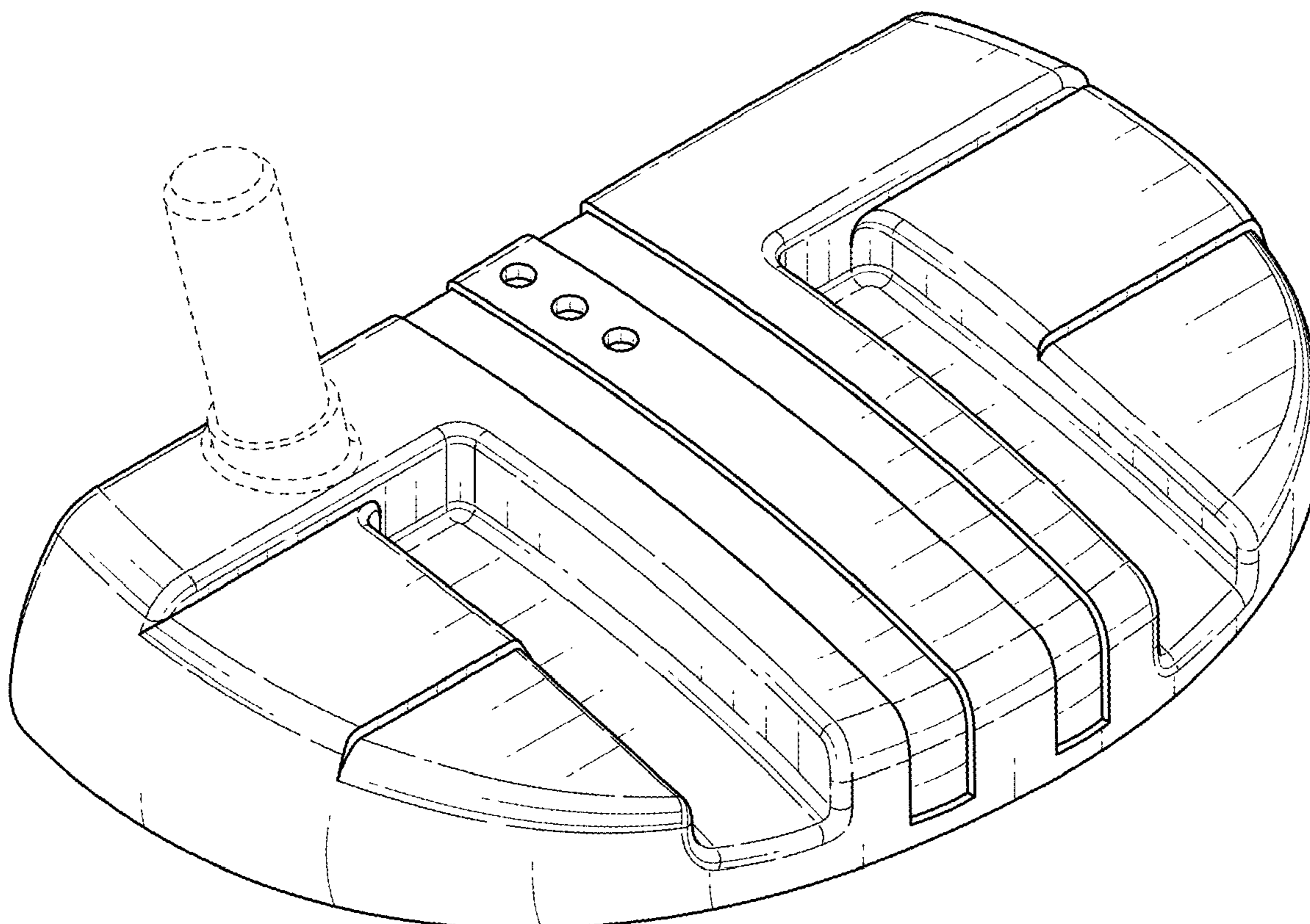
(57) **CLAIM**

The ornamental design for a putter head, as shown and described.

DESCRIPTION

FIG. 1 is a top perspective view of the putter head claimed herein;
FIG. 2 is a front elevational view thereof;
FIG. 3 is a rear elevational view thereof;
FIG. 4 is a left side elevational thereof;
FIG. 5 is right side elevational view thereof;
FIG. 6 is a top plan view thereof; and,
FIG. 7 is a bottom plan view thereof.
The broken lines in the figures show portions of the putter head that form no part of the claimed design.

1 Claim, 4 Drawing Sheets



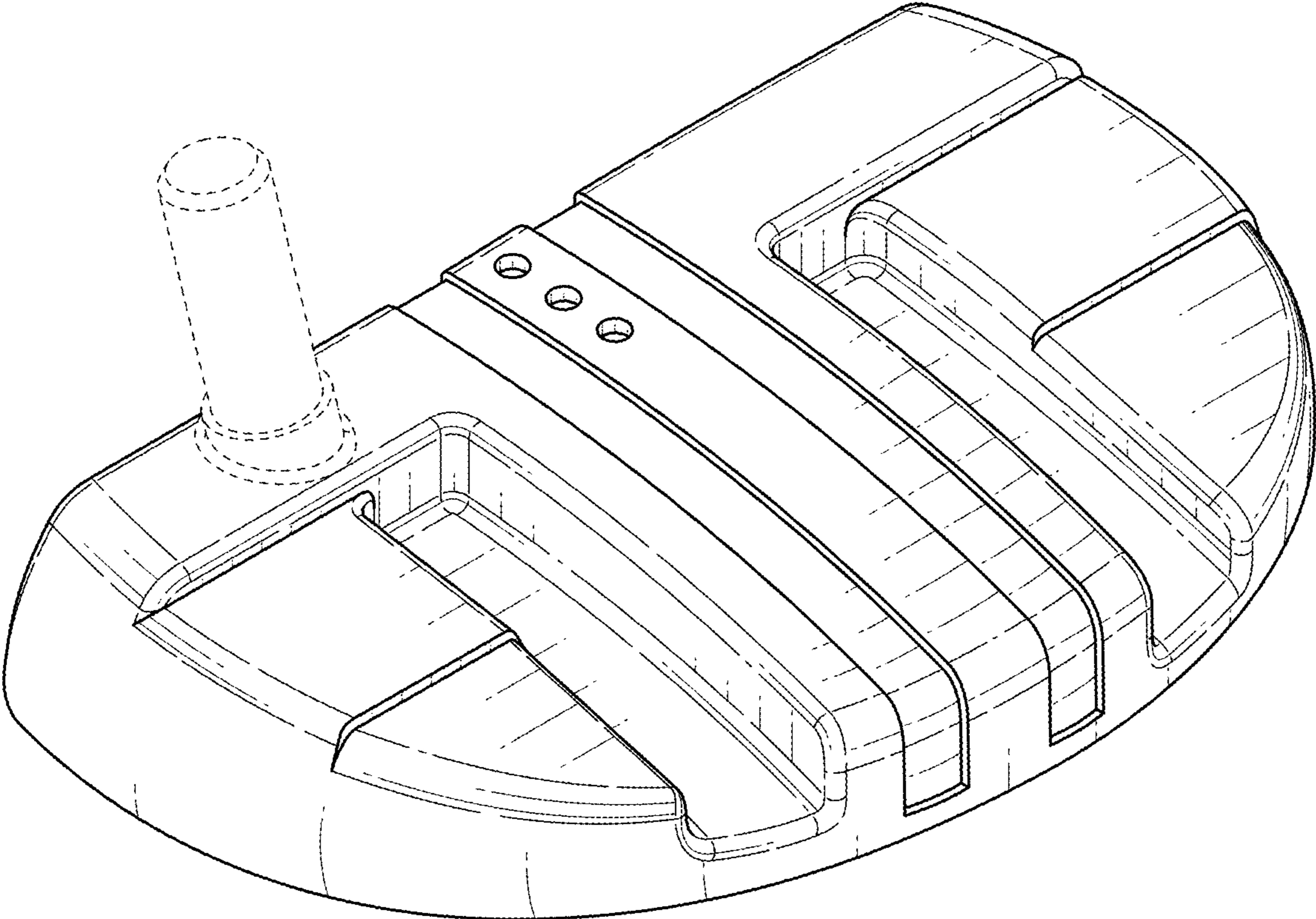


FIG. 1

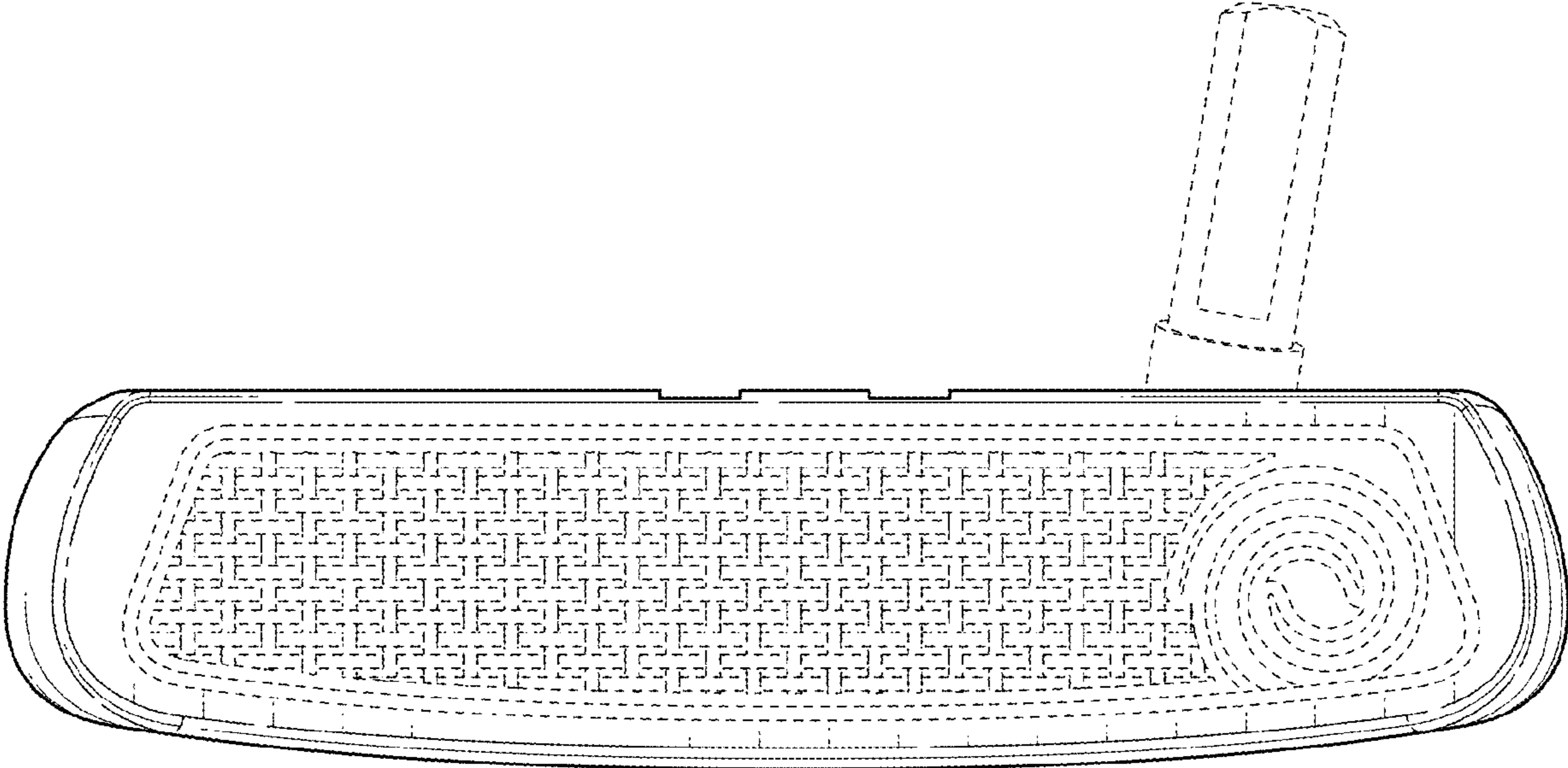


FIG. 2

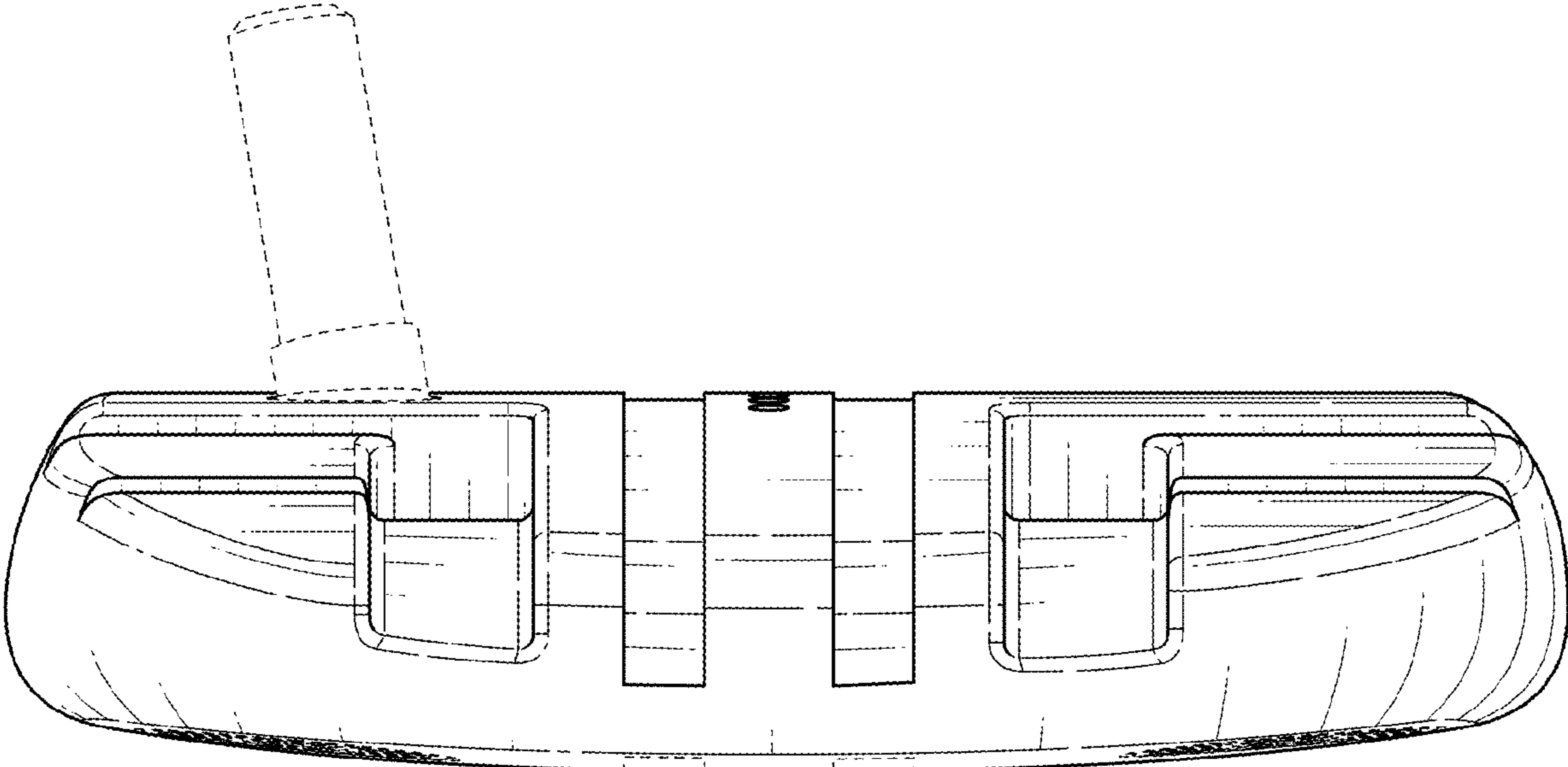


FIG. 3

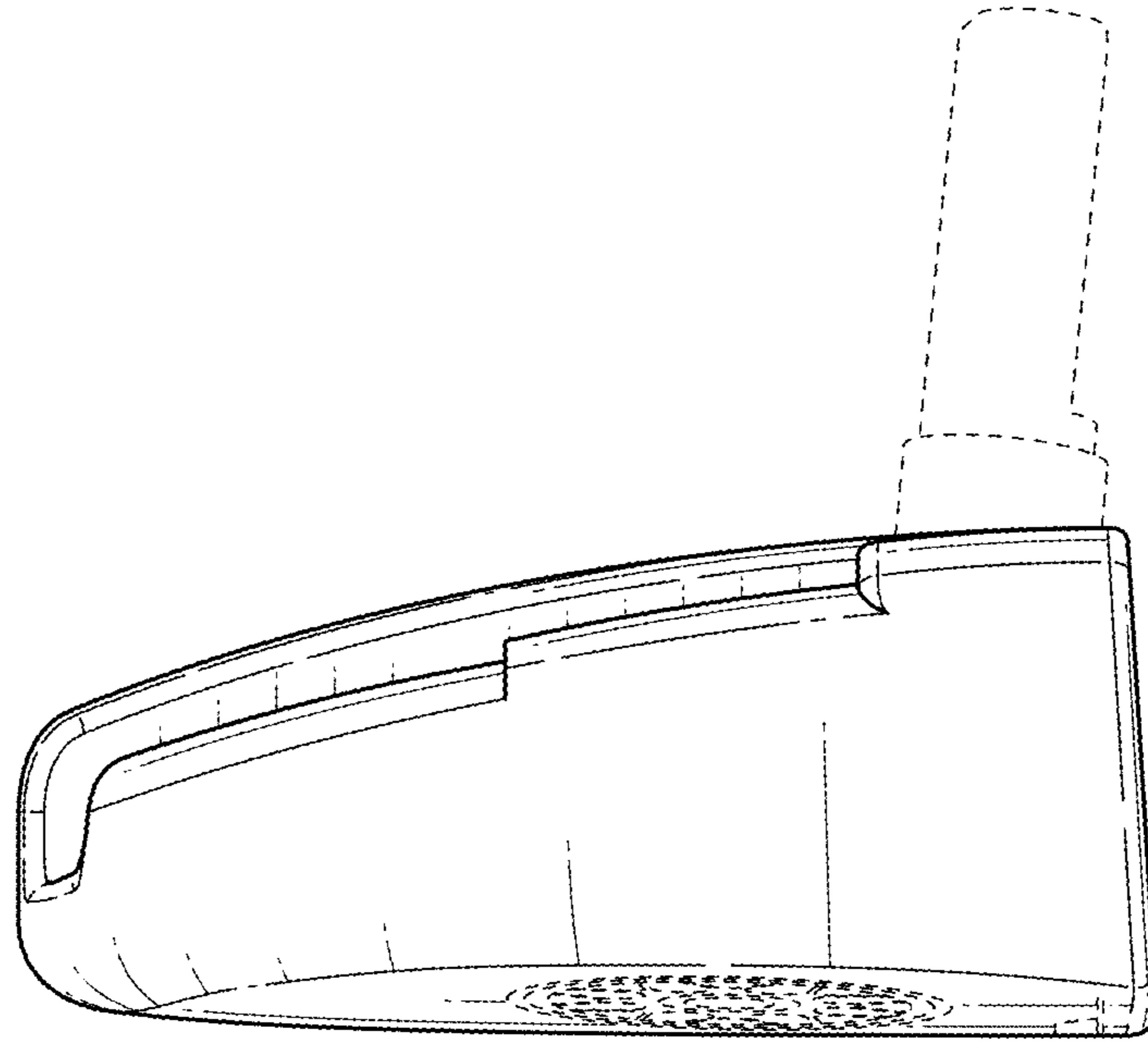


FIG. 4

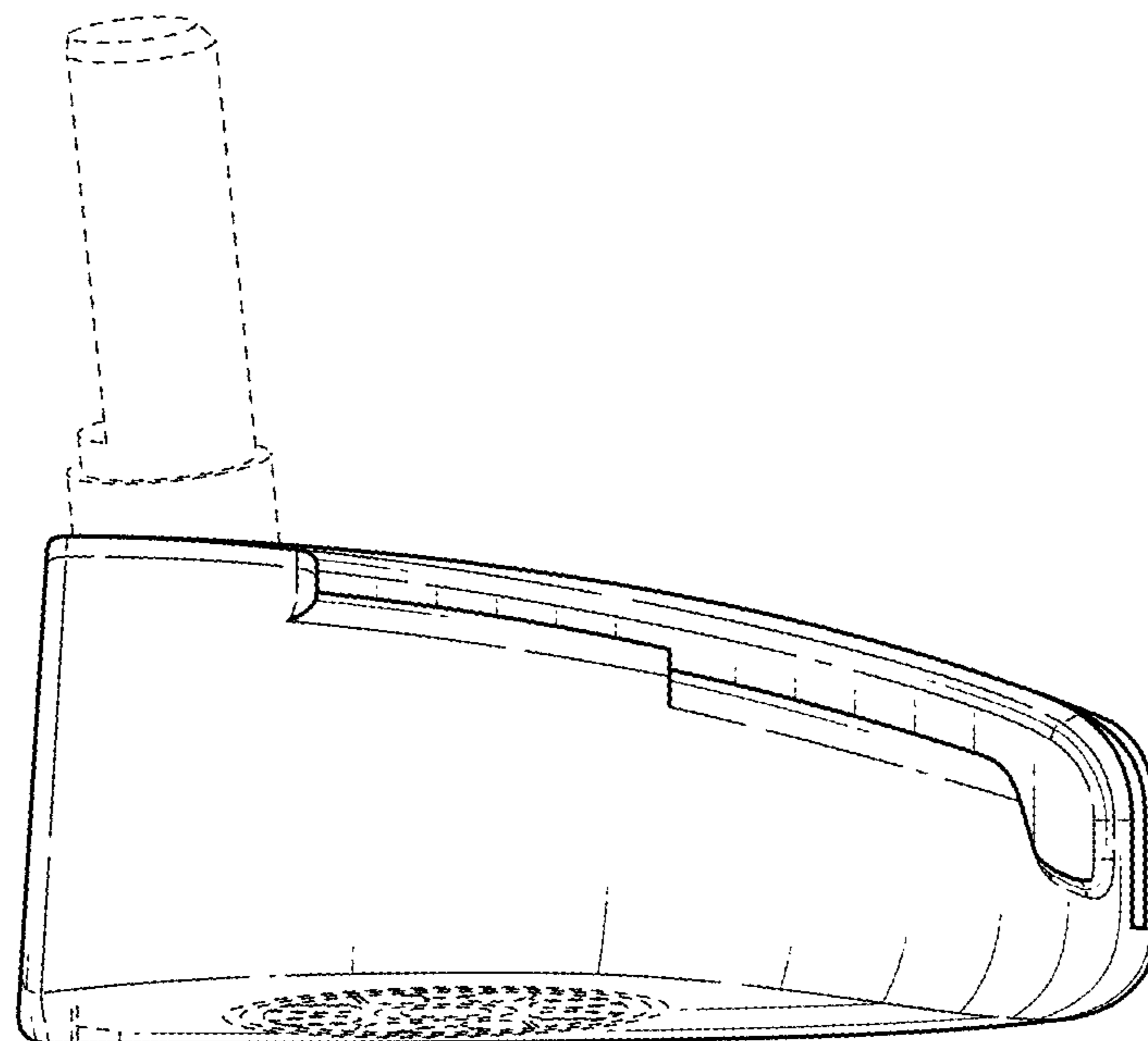


FIG. 5

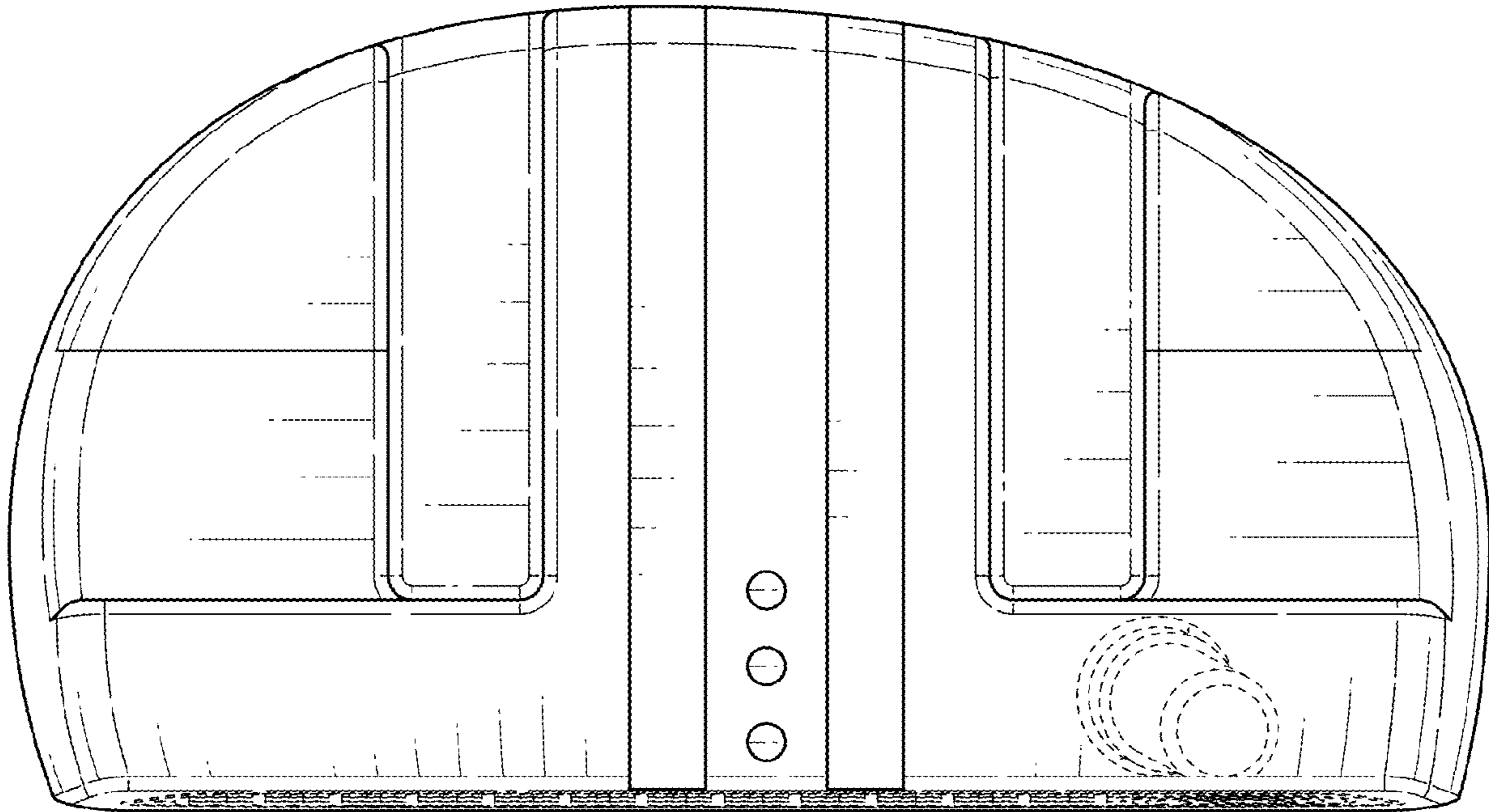


FIG. 6

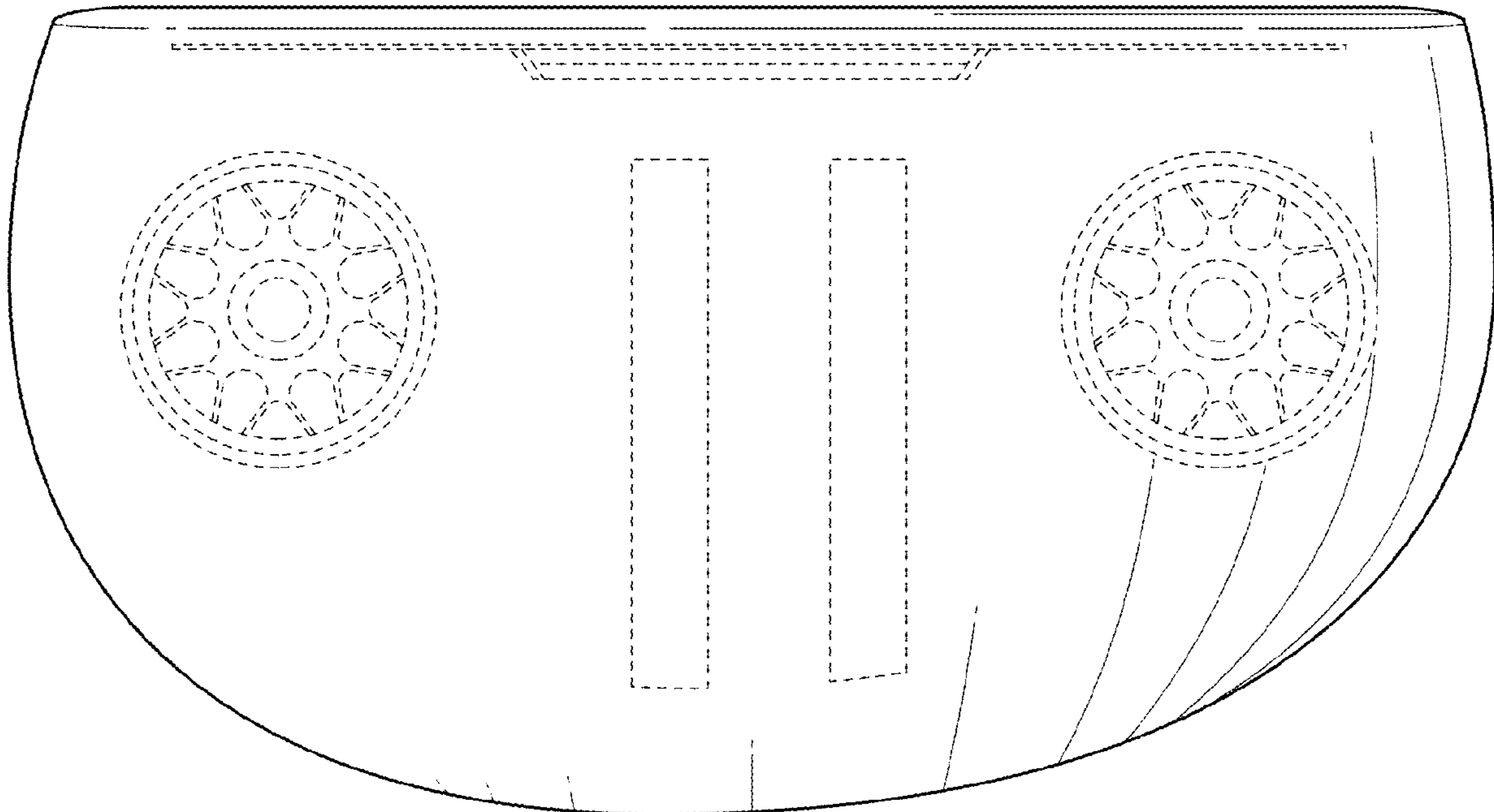


FIG. 7