

US00D943691S

(12) **United States Design Patent**  
**Serrano**

(10) **Patent No.:** **US D943,691 S**

(45) **Date of Patent:** **\*\* Feb. 15, 2022**

(54) **GOLF CLUB HEAD**

(71) Applicant: **KARSTEN MANUFACTURING CORPORATION**, Phoenix, AZ (US)

(72) Inventor: **Anthony D. Serrano**, Anthem, AZ (US)

(73) Assignee: **Karsten Manufacturing Corporation**, Phoenix, AZ (US)

(\*\*) Term: **15 Years**

(21) Appl. No.: **29/712,733**

(22) Filed: **Nov. 11, 2019**

(51) **LOC (13) Cl.** ..... **21-02**

(52) **U.S. Cl.**  
USPC ..... **D21/736**

(58) **Field of Classification Search**  
USPC ..... D21/736-746, 759  
CPC ..... A63B 53/00; A63B 53/04; A63B 53/007;  
A63B 53/065; A63B 53/0487; A63B  
60/00; A63B 60/46  
See application file for complete search history.

(56) **References Cited**

**U.S. PATENT DOCUMENTS**

D212,890 S	*	12/1968	Rose	.....	D21/739
D228,930 S	*	10/1973	Leigh	.....	D21/742
D234,784 S	*	4/1975	Mills111	.....	D21/739
D303,276 S	*	9/1989	Oakleaf	.....	D21/739
D316,129 S		4/1991	Bryson		
D341,405 S	*	11/1993	Solheim	.....	D21/743
5,275,412 A		1/1994	Innes		
D344,564 S	*	2/1994	Oakleaf	.....	D21/739
D375,768 S	*	11/1996	Solheim	.....	D21/742
D396,081 S	*	7/1998	Sheets	.....	D21/742
D398,685 S	*	9/1998	Masuda	.....	D21/736
6,159,108 A		12/2000	De La Pena		
6,379,259 B1		4/2002	Opie		

D488,526 S	4/2004	Souza
D500,109 S	12/2004	Solheim
D500,110 S	12/2004	Solheim
6,837,801 B1	1/2005	Souza
6,878,071 B1	4/2005	Schwieger
6,893,355 B2	5/2005	Souza
6,902,496 B2	6/2005	Solheim
D507,612 S	7/2005	Souza

(Continued)

*Primary Examiner* — Mitchell I. Siegel

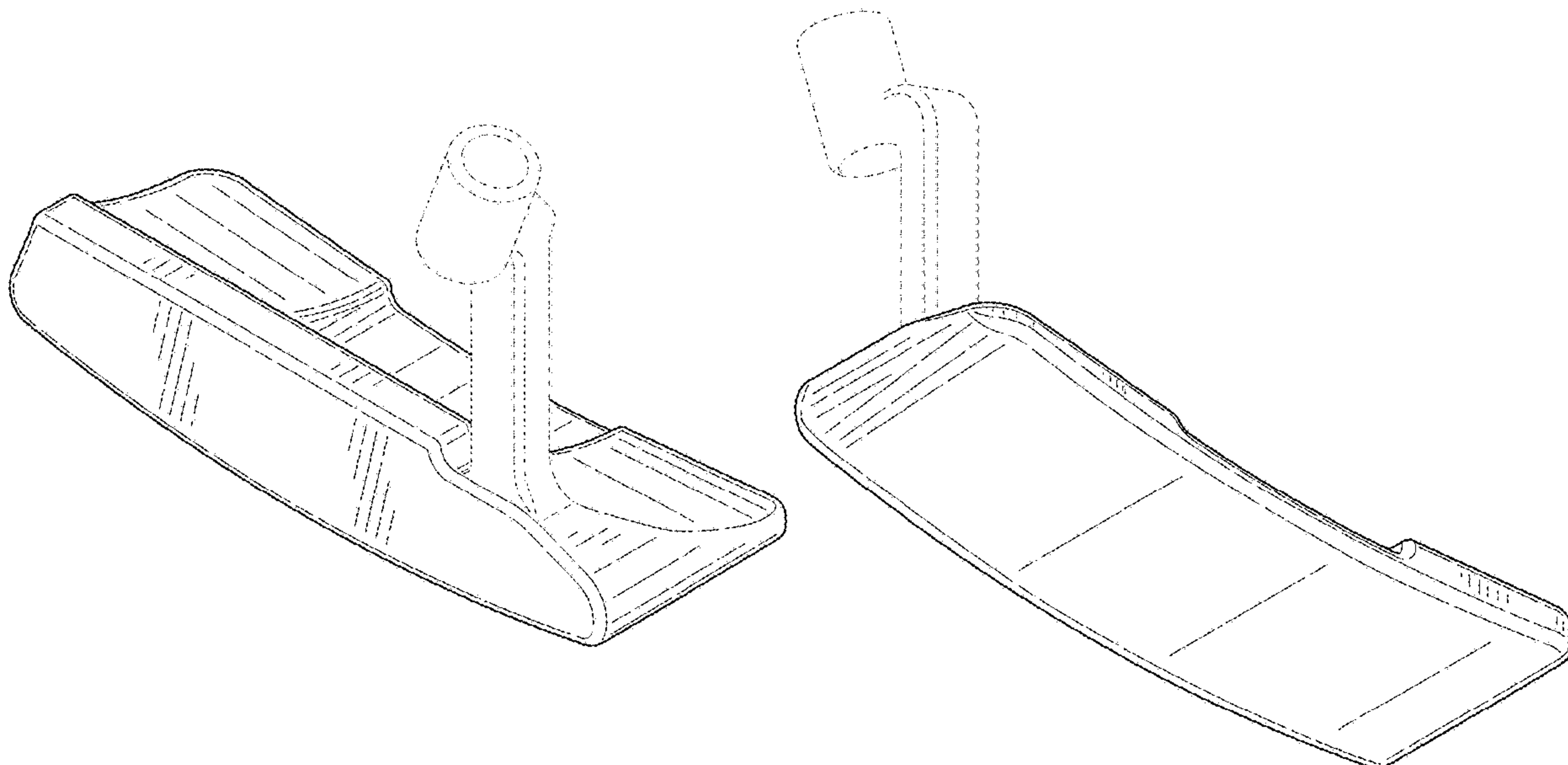
(57) **CLAIM**

The ornamental design for a golf club head, as shown and described.

**DESCRIPTION**

FIG. 1 is a top perspective view of a golf club head;  
 FIG. 2 is a bottom perspective view of the golf club head of FIG. 1;  
 FIG. 3 is a top view of the golf club head of FIG. 1;  
 FIG. 4 is a bottom view of the golf club head of FIG. 1;  
 FIG. 5 is a front view of the golf club head of FIG. 1;  
 FIG. 6 is a rear view of the golf club head of FIG. 1;  
 FIG. 7 is a heel side view of the golf club head of FIG. 1;  
 FIG. 8 is a toe side view of the golf club head of FIG. 1;  
 FIG. 9 is a top perspective view of a second embodiment of a golf club head;  
 FIG. 10 is a bottom perspective view of the golf club head of FIG. 9;  
 FIG. 11 is a top view of the golf club head of FIG. 9;  
 FIG. 12 is a bottom view of the golf club head of FIG. 9;  
 FIG. 13 is a front view of the golf club head of FIG. 9;  
 FIG. 14 is a rear view of the golf club head of FIG. 9;  
 FIG. 15 is a heel side view of the golf club head of FIG. 9;  
 and,  
 FIG. 16 is a toe side view of the golf club head of FIG. 9.  
 The broken lines showing the hosel on FIGS. 1-8 form no part of the claimed design.

**1 Claim, 12 Drawing Sheets**



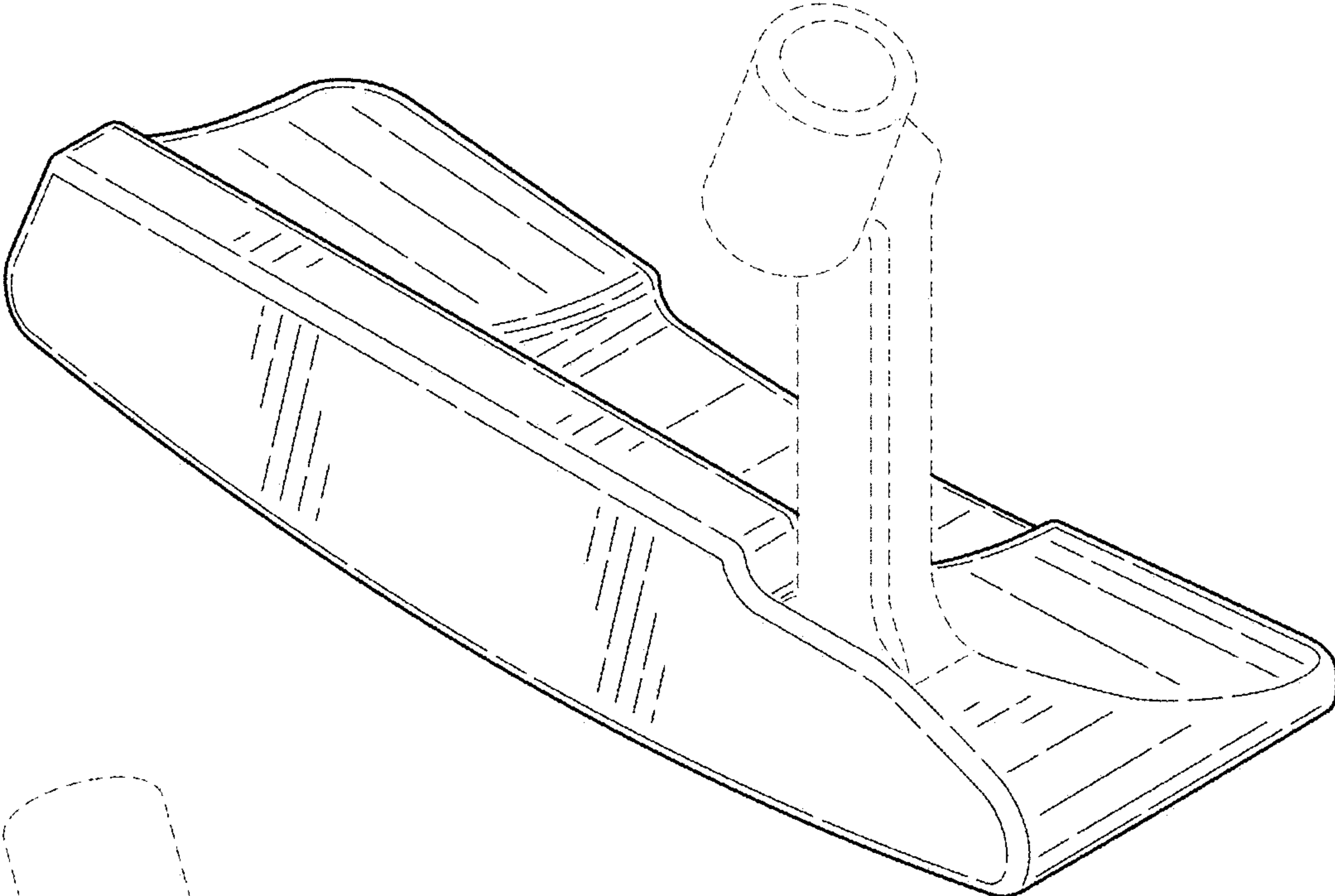
(56)

References Cited

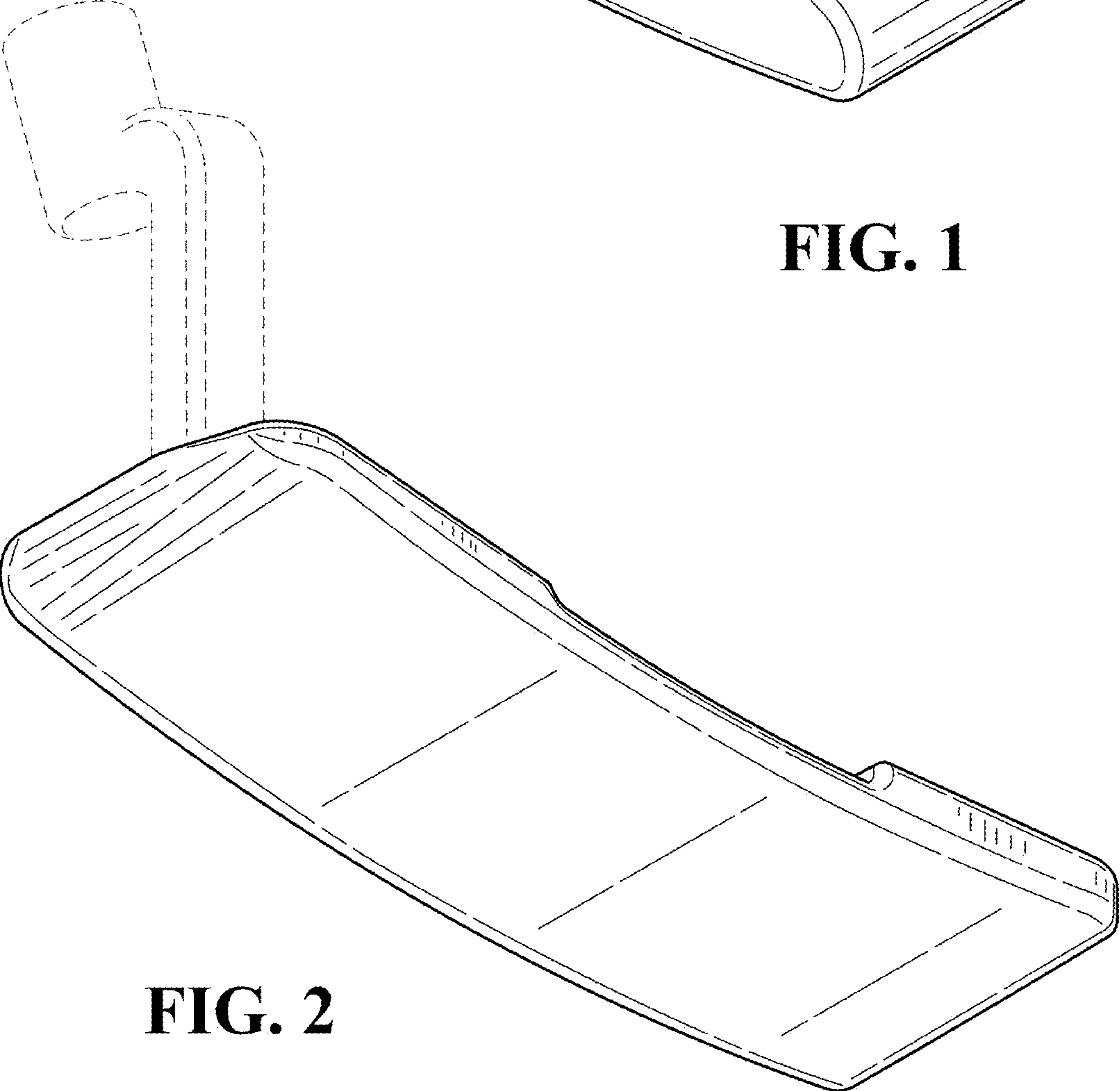
U.S. PATENT DOCUMENTS

6,926,615 B1	8/2005	Souza	D621,891 S	8/2010	Serrano
6,960,140 B2	11/2005	Solheim	D623,709 S	9/2010	Serrano
6,966,845 B2	11/2005	Solheim	7,803,066 B2	9/2010	Solheim
D520,584 S	5/2006	Karlsen	7,815,515 B1	10/2010	Hunt
D521,582 S	5/2006	Souza	D638,891 S	5/2011	Nicolette
7,052,411 B2	5/2006	Solheim	D640,341 S	6/2011	Foster et al.
D522,598 S	6/2006	Solheim	D643,080 S	8/2011	Serrano
7,077,758 B2	7/2006	Rohrer	D643,485 S	8/2011	Nicolette
7,086,957 B2	8/2006	Solheim	D643,486 S	8/2011	Serrano
D527,777 S	9/2006	Solheim	D643,487 S	8/2011	Serrano
D529,108 S	9/2006	Stites	D648,408 S *	11/2011	Teramoto ..... D21/743
D532,847 S	11/2006	Rollinson	D650,455 S	12/2011	Serrano
D533,243 S	12/2006	Fife, Jr.	D652,465 S	1/2012	Rollinson
D533,244 S	12/2006	Kroll	8,100,779 B2	1/2012	Solheim
7,235,021 B2	6/2007	Solheim	D653,718 S	2/2012	Stokke
D548,295 S	8/2007	Jertson	8,109,838 B2	2/2012	Solheim
7,255,650 B2	8/2007	Bryant	8,128,505 B2	3/2012	Tryner et al.
D552,197 S	10/2007	Wells	D664,617 S	7/2012	Serrano
D564,607 S	3/2008	Oldknow et al.	D682,376 S	5/2013	Oliveiro
D565,137 S	3/2008	Oldknow	D689,574 S	9/2013	Rollinson
7,371,185 B1	5/2008	Rohrer	D723,641 S	3/2015	Serrano
D581,473 S	11/2008	Thomas	D741,426 S *	10/2015	Schweigert ..... D21/736
D583,003 S	12/2008	Solheim	D761,367 S	7/2016	Bruce
D587,325 S	2/2009	Solheim	D774,151 S	12/2016	Serrano
D588,658 S	3/2009	De La Cruz	D796,599 S *	9/2017	Serrano ..... D21/743
D600,760 S	9/2009	Serrano	D825,698 S *	8/2018	Serrano ..... D21/743
D600,761 S	9/2009	Serrano	D847,924 S *	5/2019	Wang ..... D21/743
D600,762 S	9/2009	Serrano	2005/0170904 A1	8/2005	Smeeth
7,601,076 B2	10/2009	Rollinson	2006/0094533 A1	5/2006	Warren
D607,950 S	1/2010	Souza	2006/0166755 A1	7/2006	Brown
D621,458 S	8/2010	Serrano	2007/0191135 A1	8/2007	Nilsson
D621,460 S	8/2010	Serrano	2008/0096686 A1	4/2008	Bilkhu
D621,461 S	8/2010	Serrano	2009/0270198 A1	10/2009	Solheim et al.
D621,462 S	8/2010	Serrano	2009/0305806 A1	12/2009	Campadore et al.
			2009/0305807 A1	12/2009	Solheim et al.
			2010/0227704 A1	9/2010	Souza
			2012/0115628 A1	5/2012	Woods

\* cited by examiner

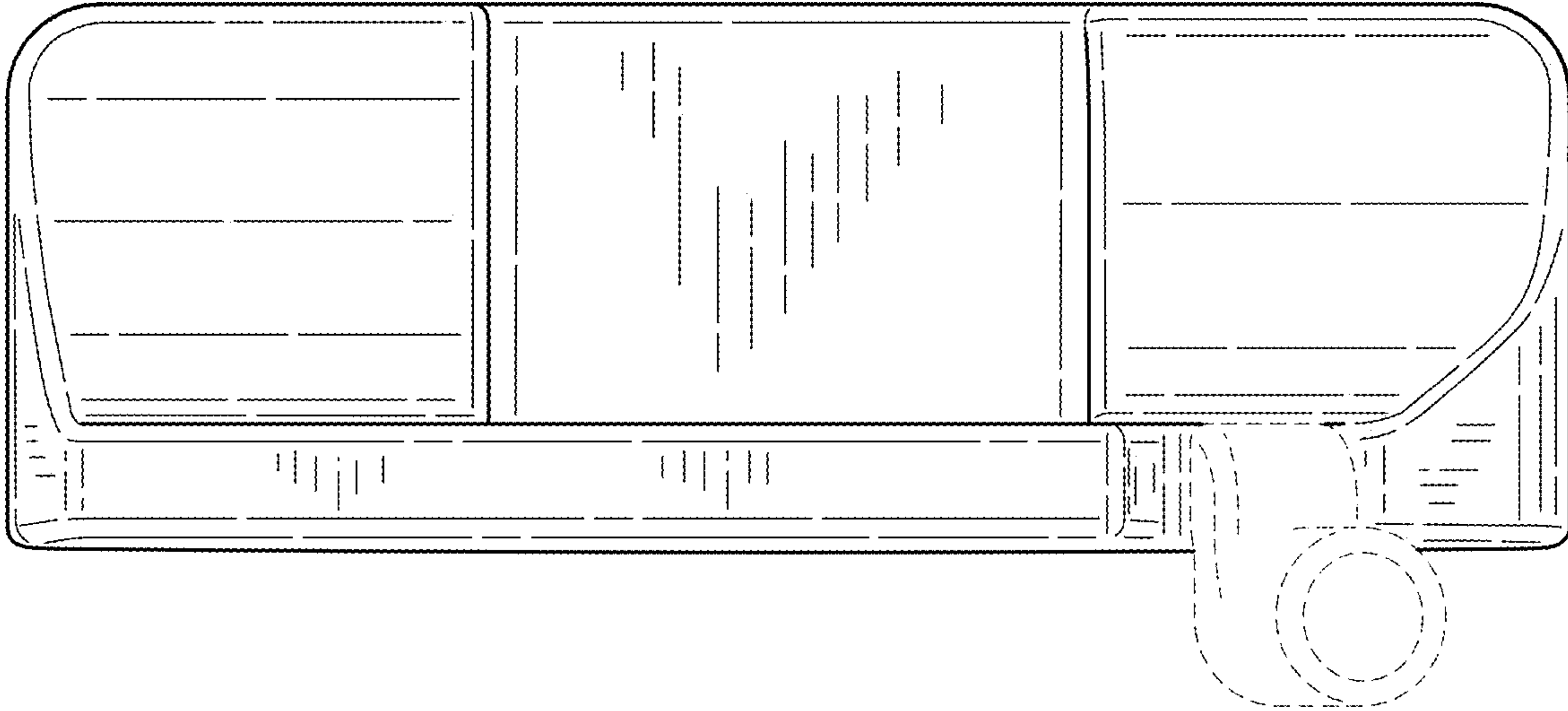


**FIG. 1**

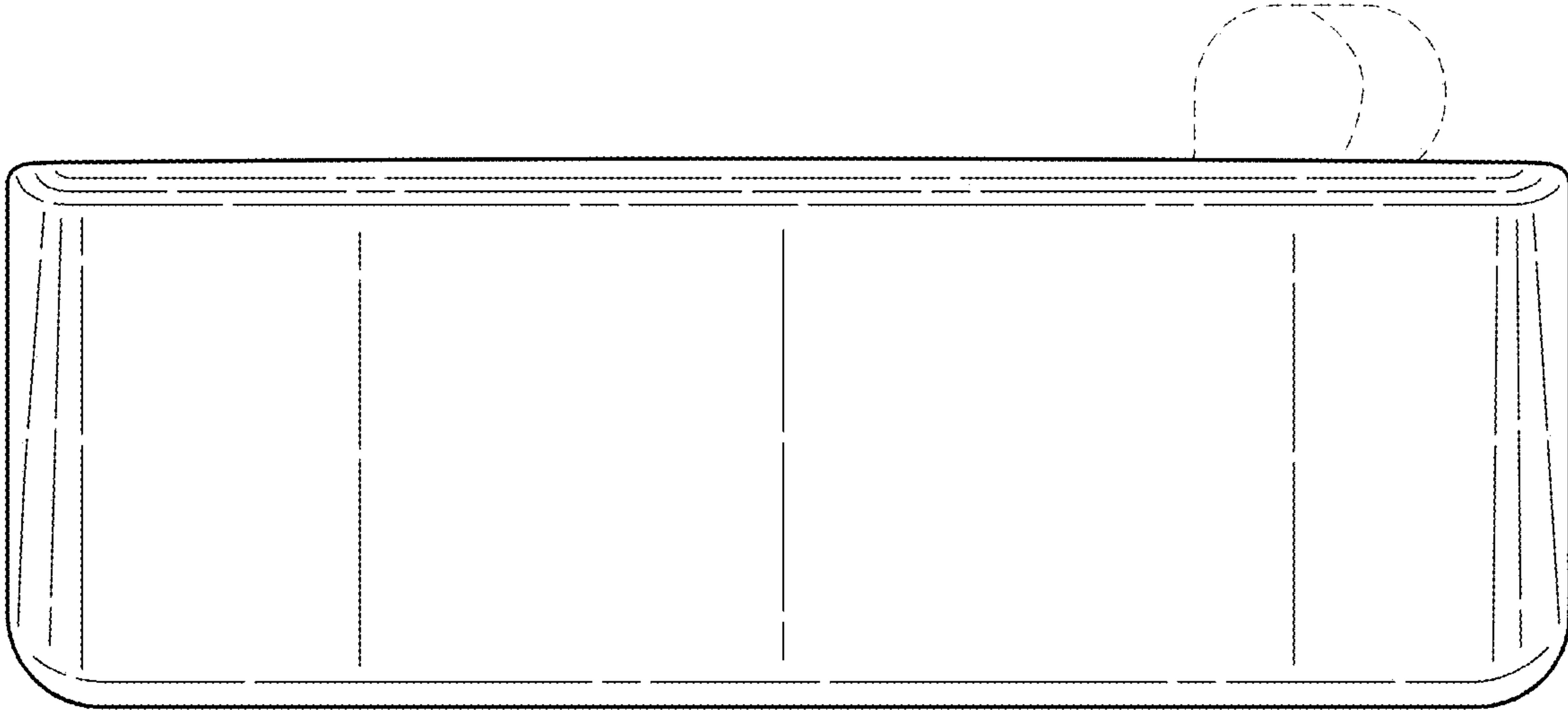


**FIG. 2**

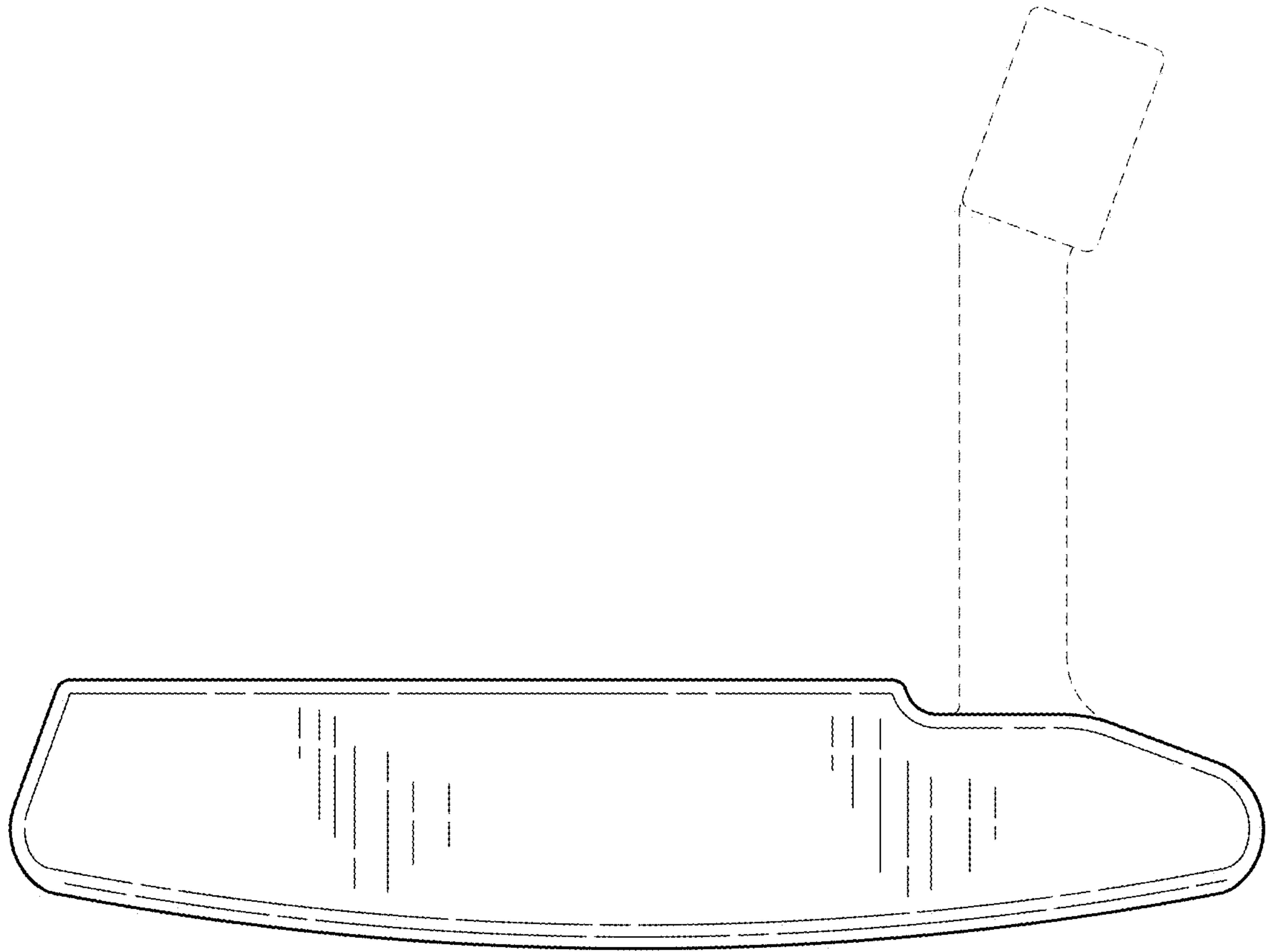




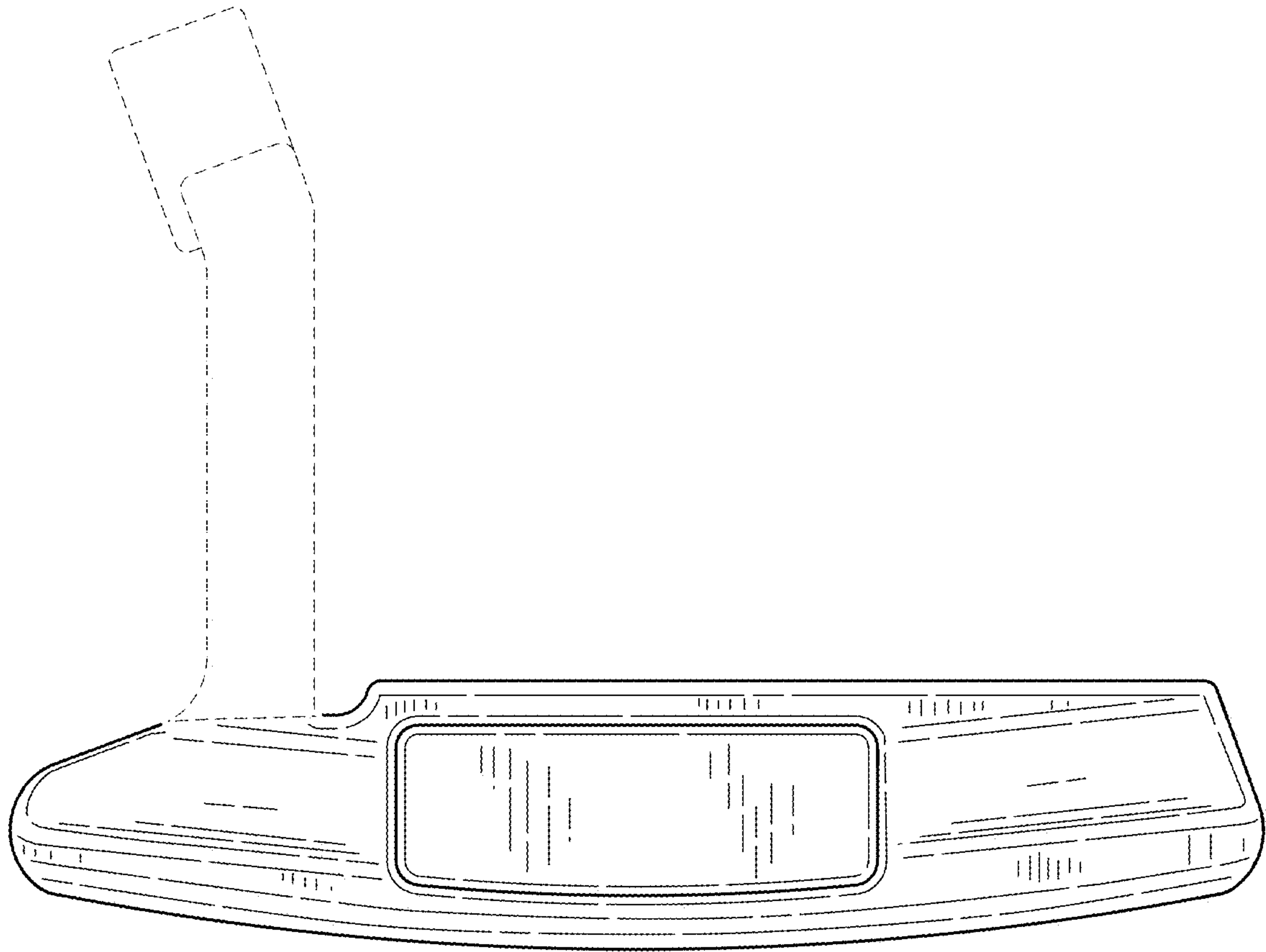
**FIG. 3**



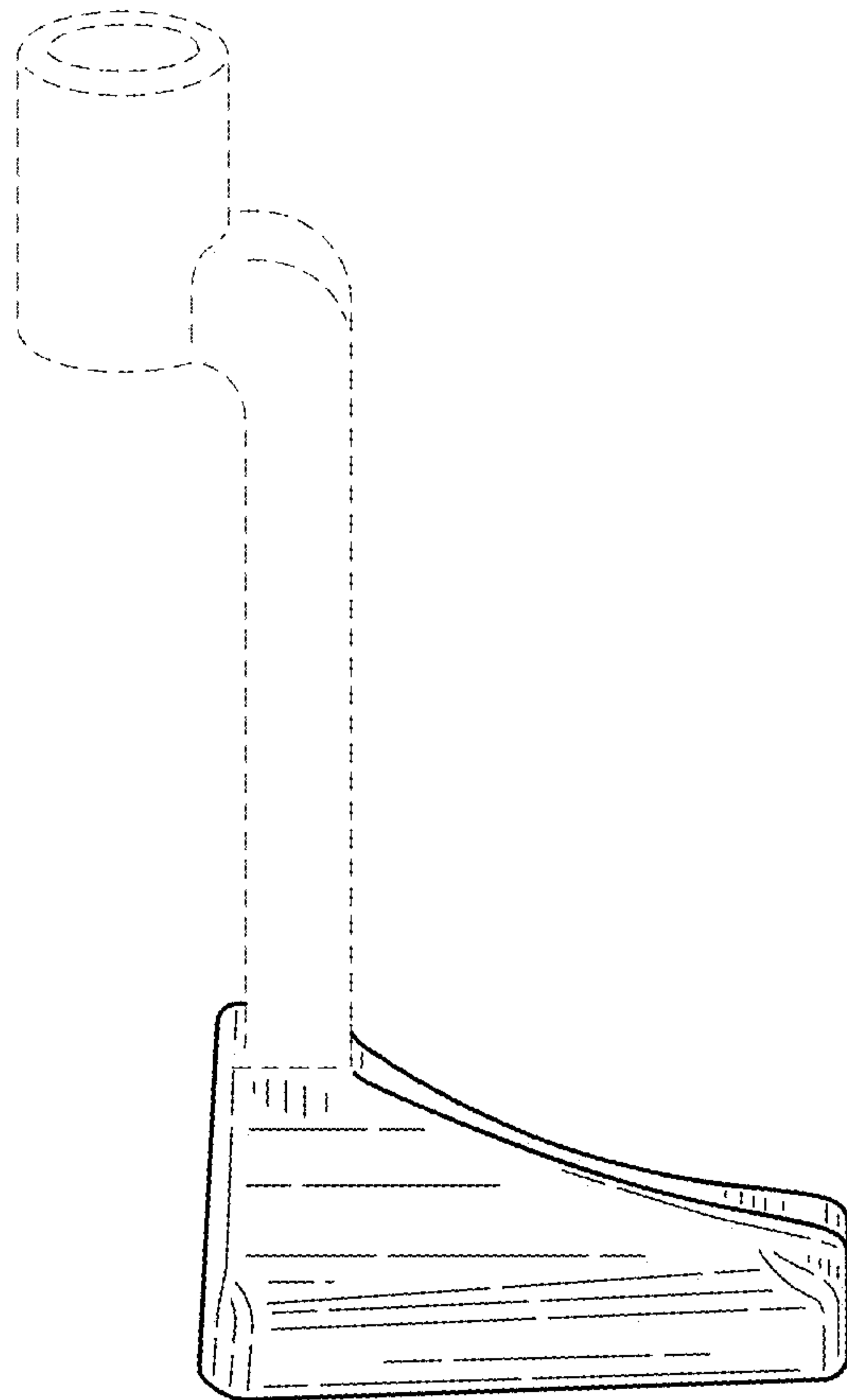
**FIG. 4**



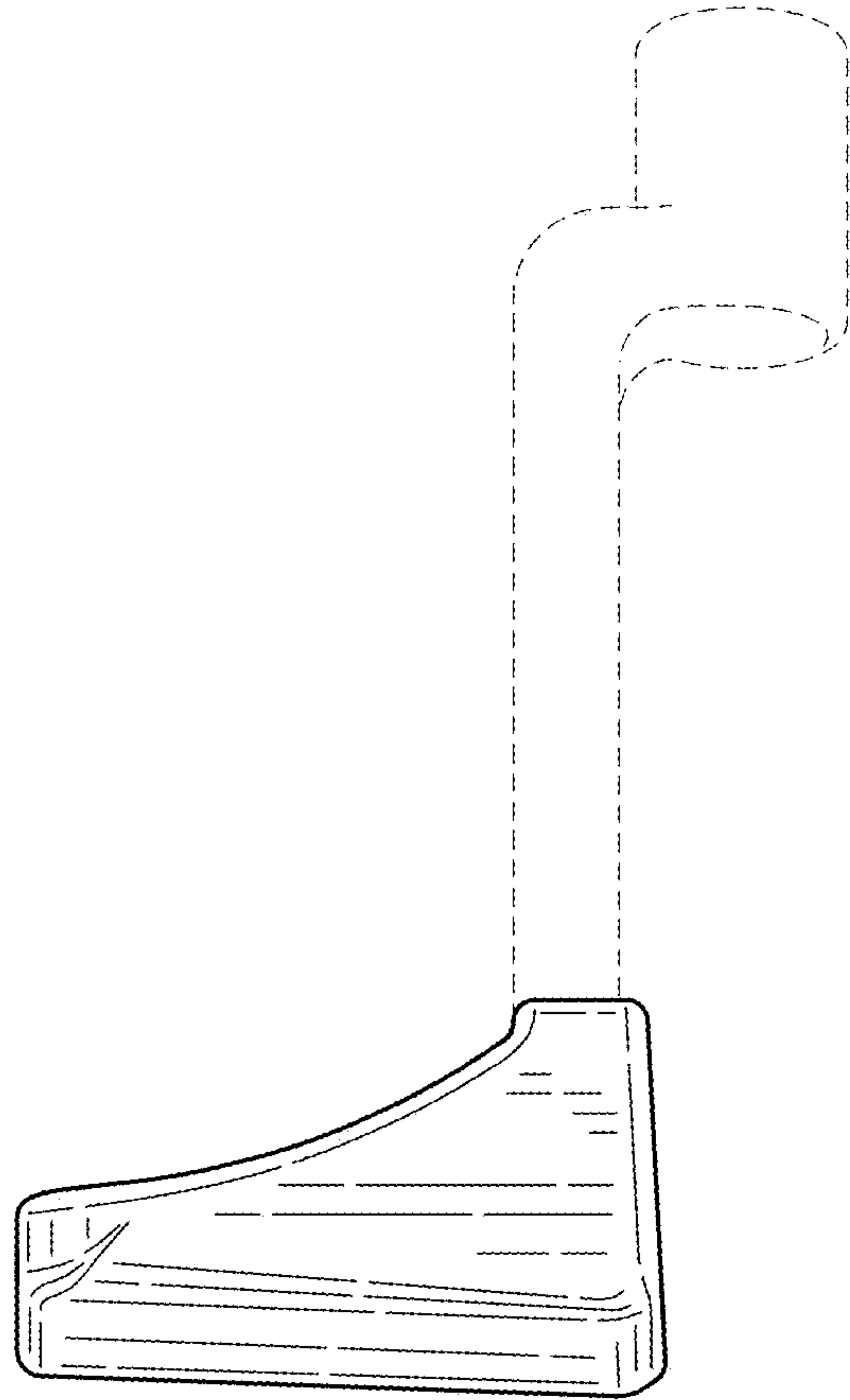
**FIG. 5**



**FIG. 6**

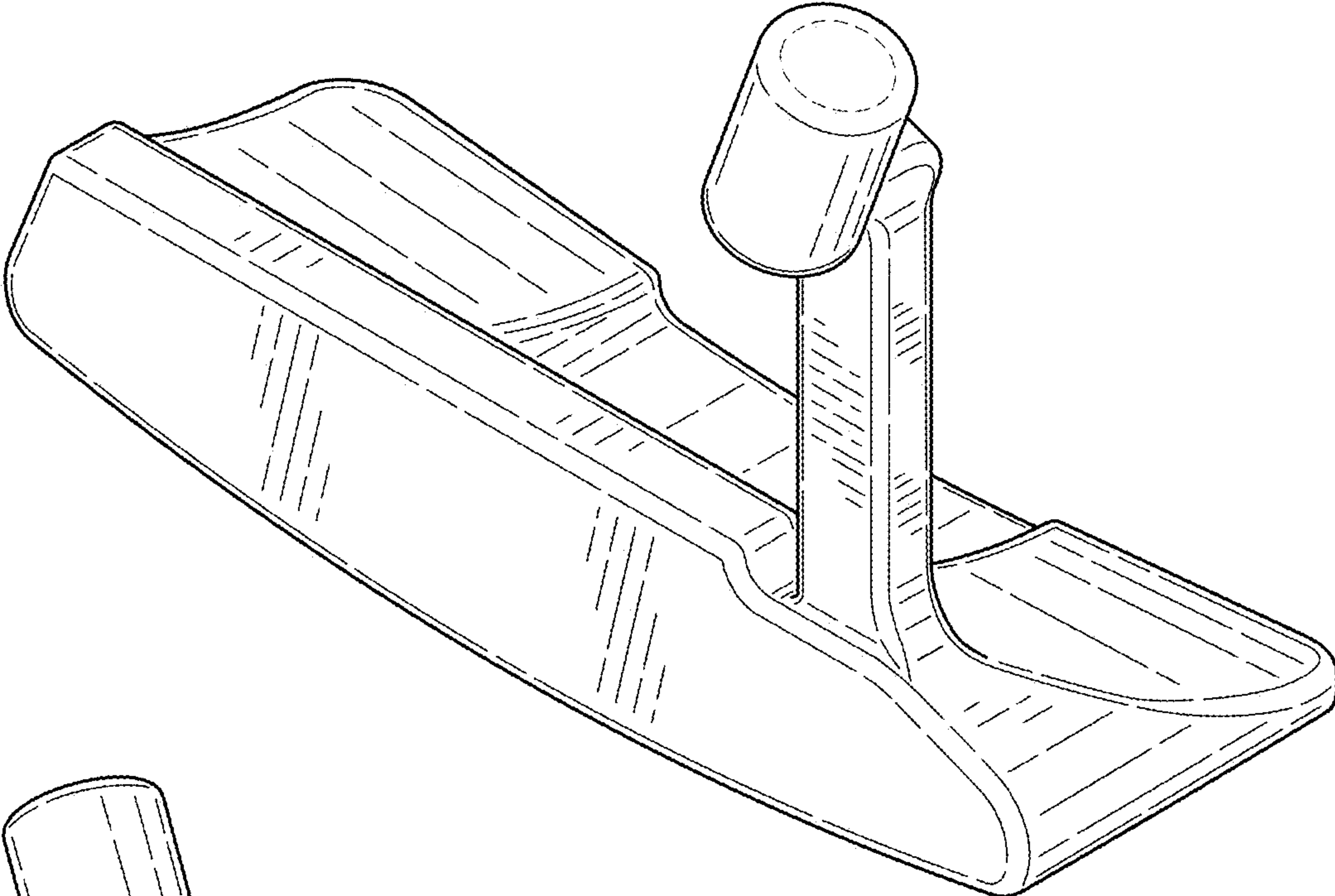


**FIG. 7**

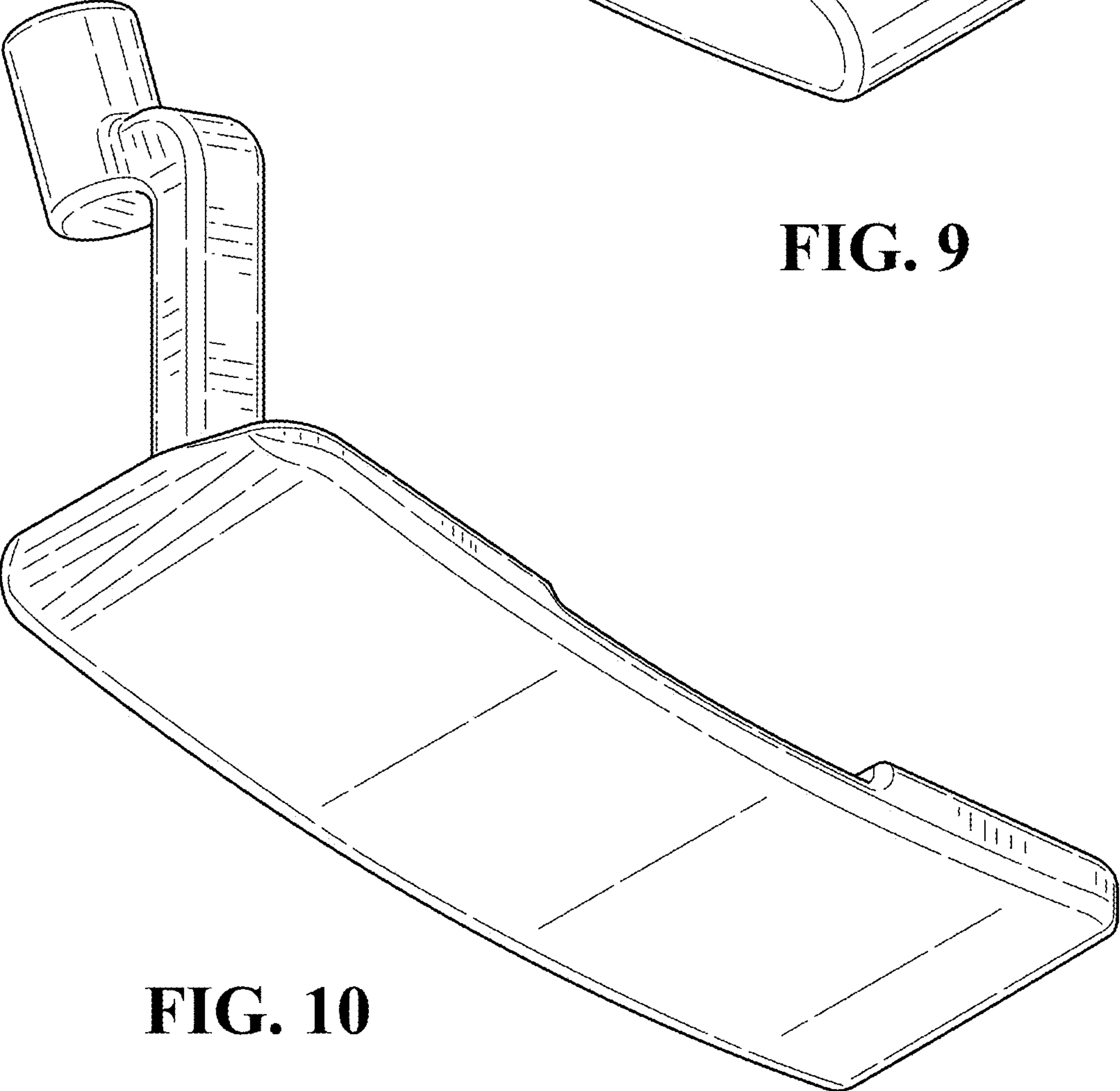


**FIG. 8**

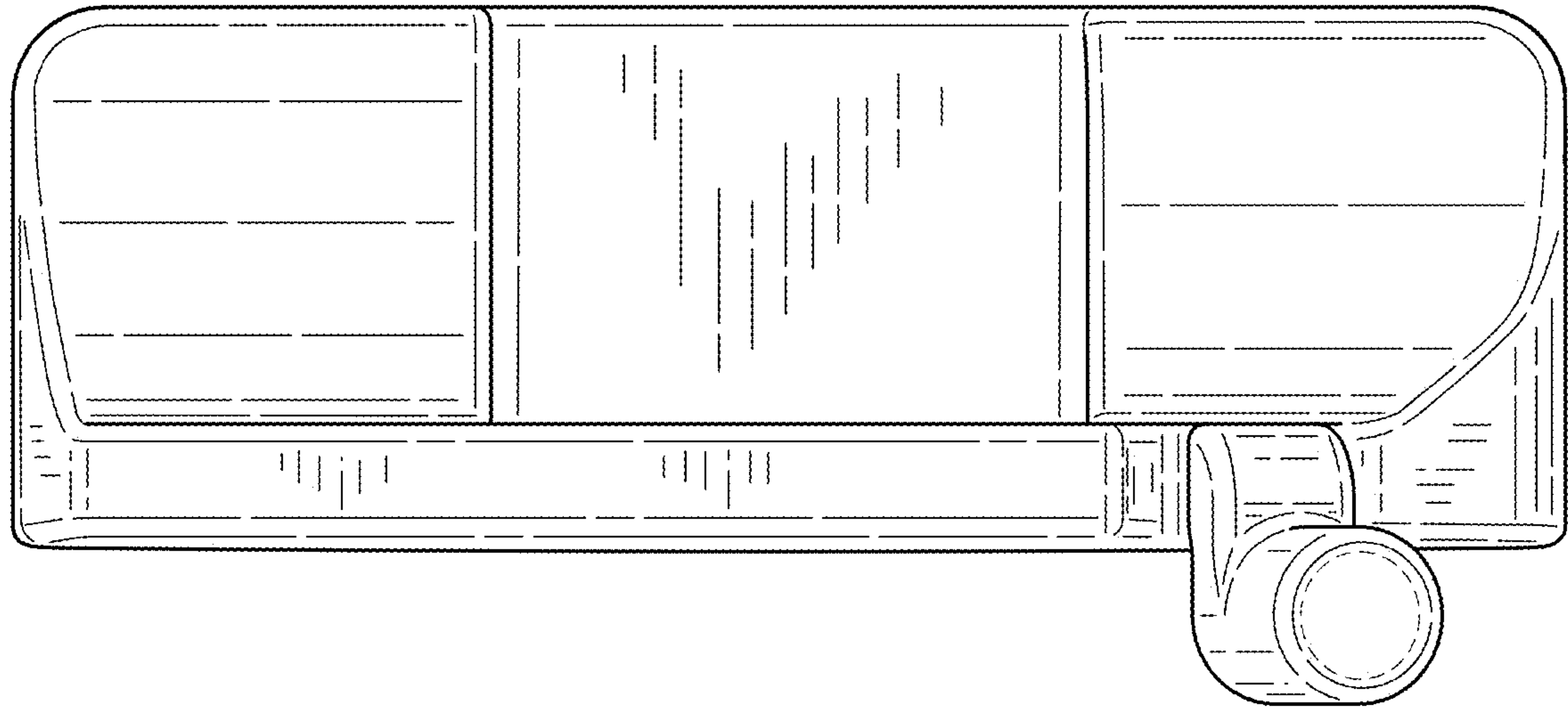




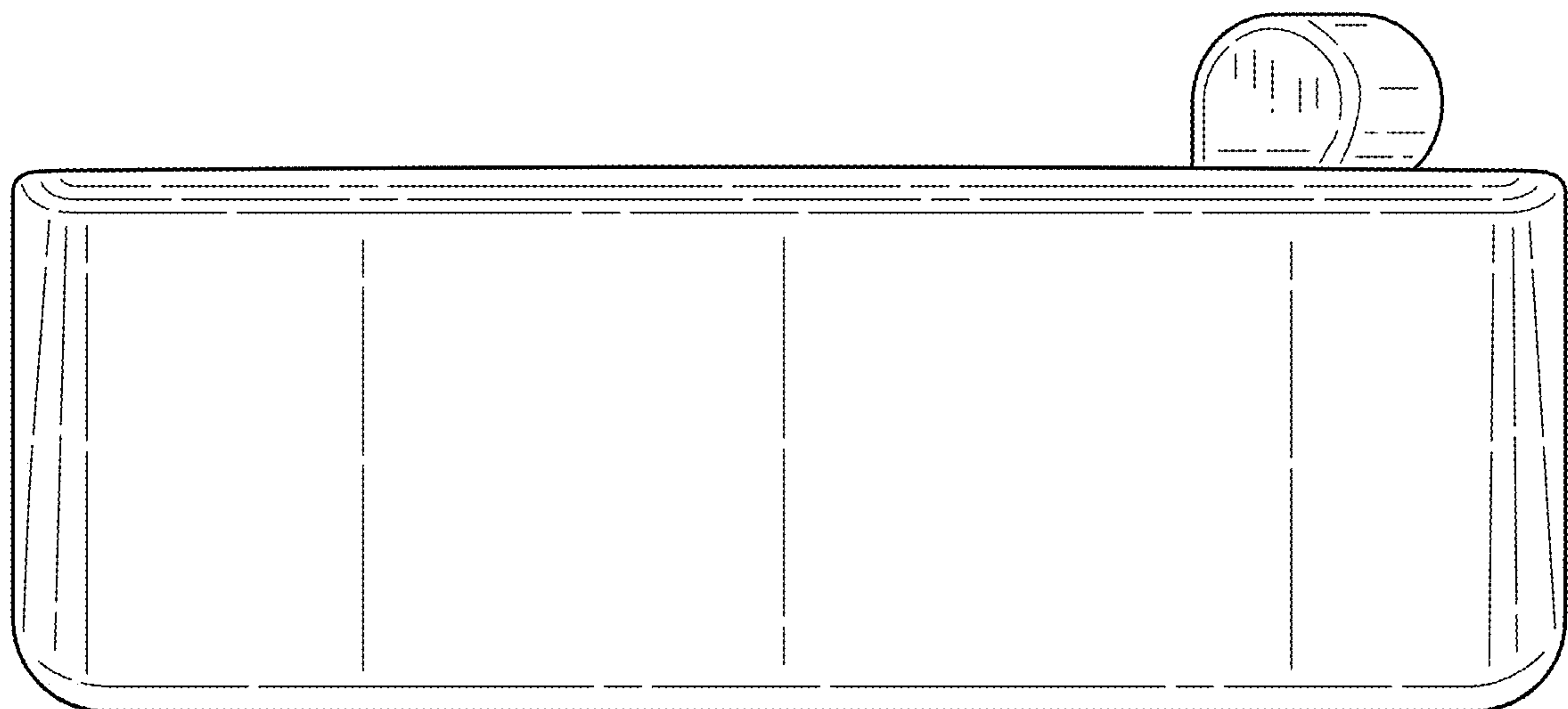
**FIG. 9**



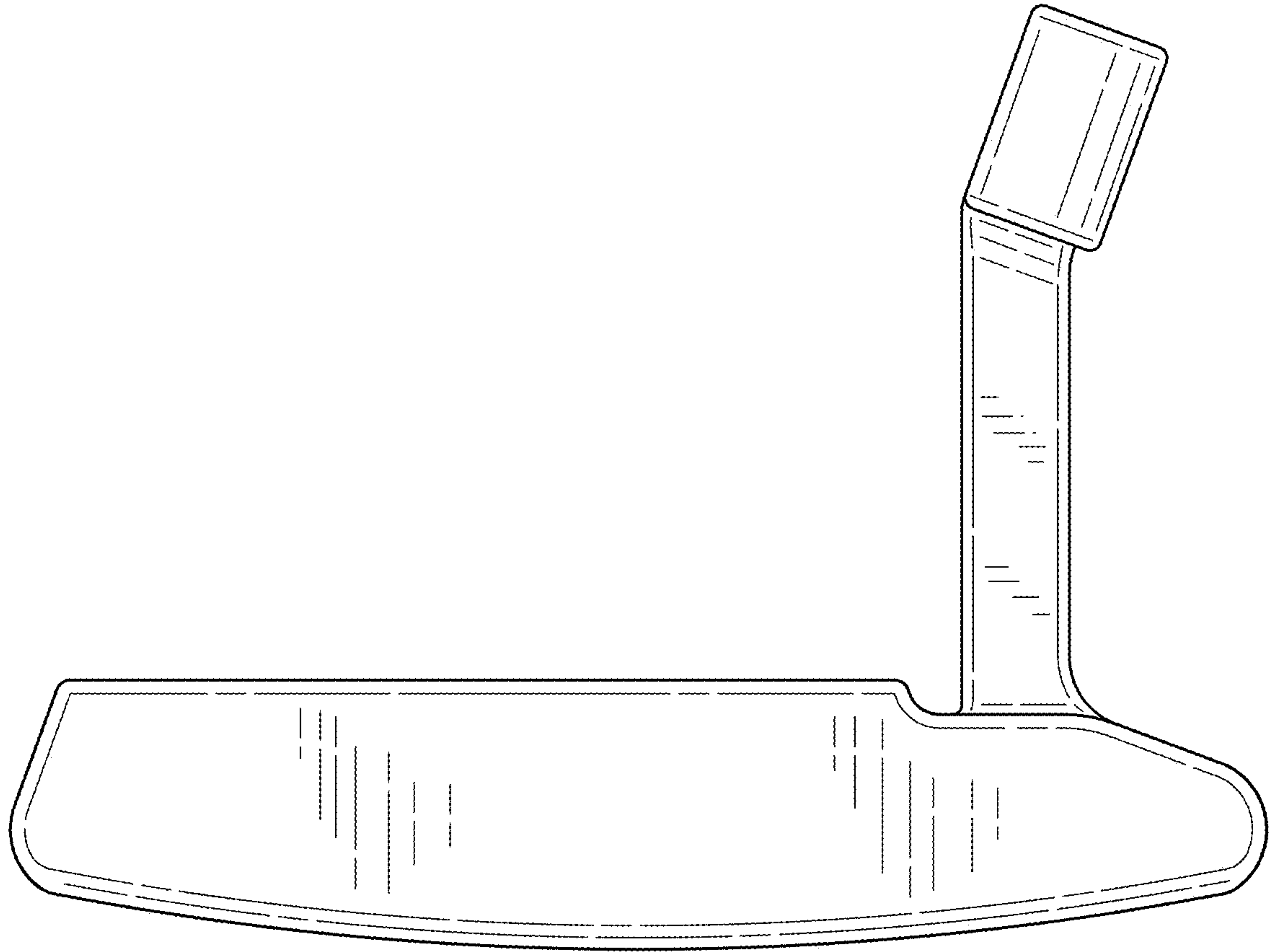
**FIG. 10**



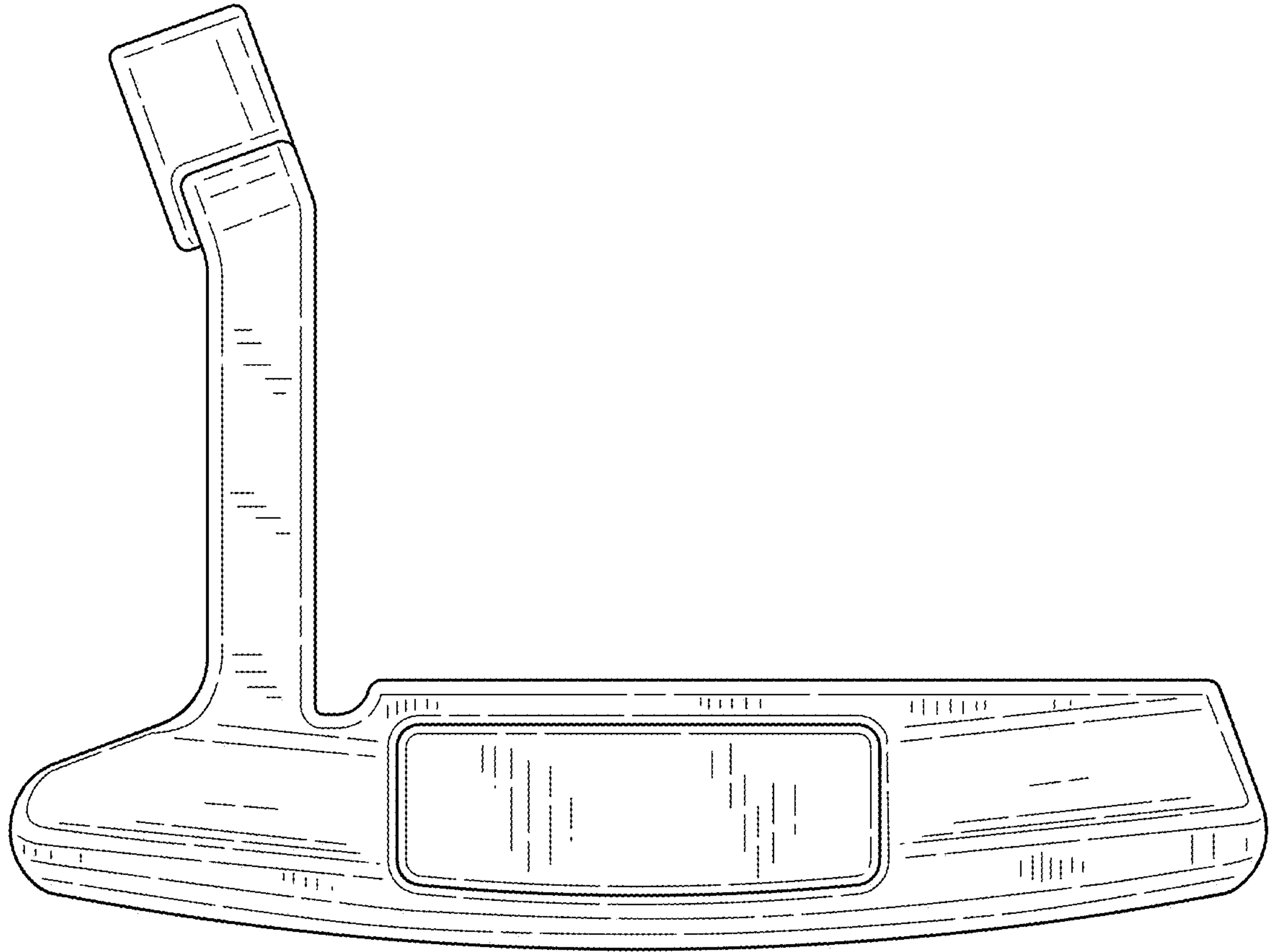
**FIG. 11**



**FIG. 12**



**FIG. 13**



**FIG. 14**

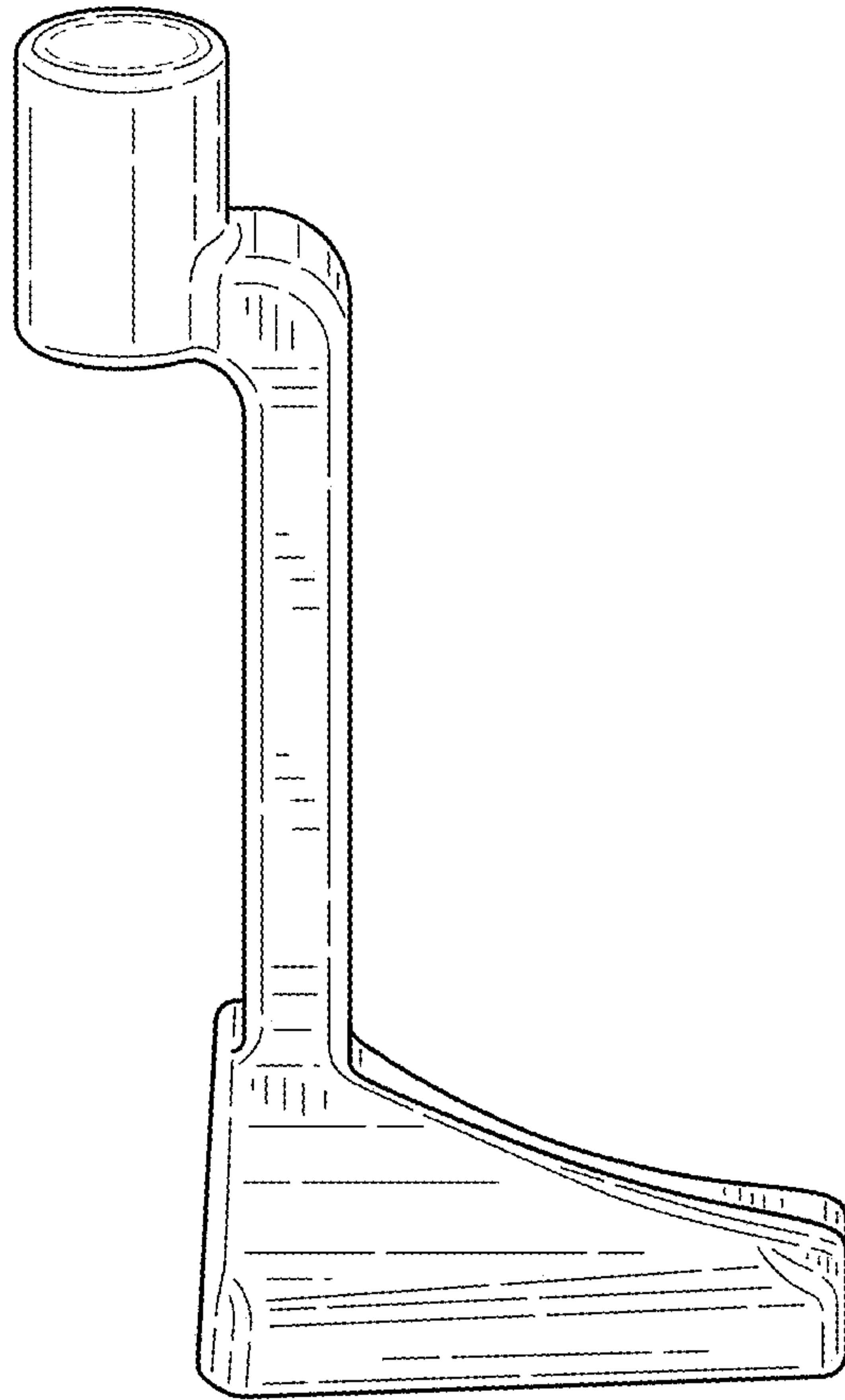
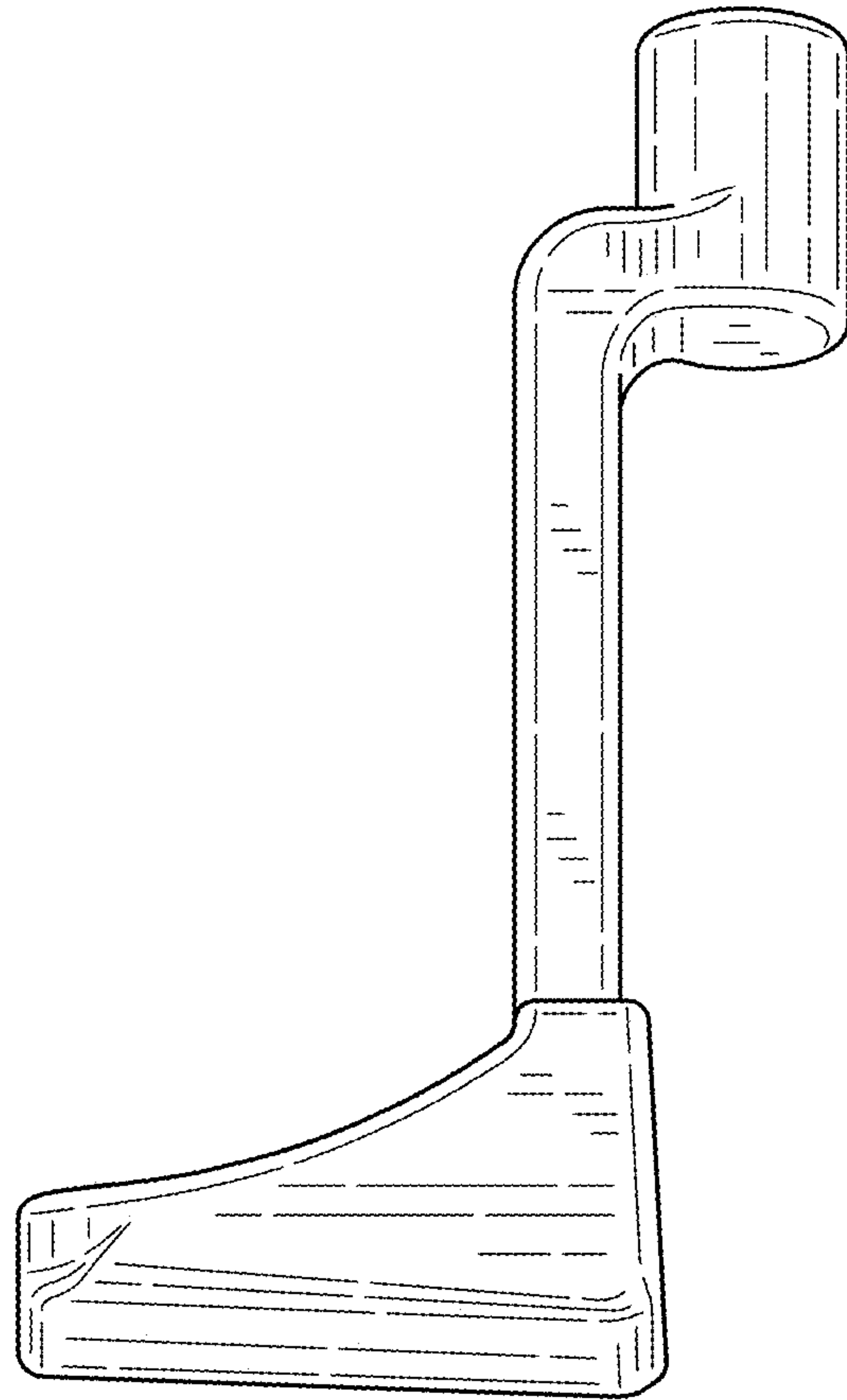


FIG. 15





**FIG. 16**