



US00D943690S

(12) **United States Design Patent** (10) **Patent No.:** **US D943,690 S**
Jones et al. (45) **Date of Patent:** **** Feb. 15, 2022**

(54) **EXERCISE BIKE**

(56) **References Cited**

(71) Applicant: **Coulter Ventures, LLC.**, Columbus, OH (US)
(72) Inventors: **Dylan Jones**, Santa Barbara, CA (US); **Matt Dubberley**, Santa Barbara, CA (US); **Patrick Burgess**, Cullowhee, NC (US)
(73) Assignee: **Coulter Ventures, LLC.**, Columbus, OH (US)
(**) Term: **15 Years**
(21) Appl. No.: **29/762,926**
(22) Filed: **Dec. 18, 2020**

U.S. PATENT DOCUMENTS

4,188,030 A 2/1980 Hooper
D272,182 S 1/1984 Fowler et al.
(Continued)

FOREIGN PATENT DOCUMENTS

EM 001622945-0007 10/2009
EM 002248963-0001 7/2013
(Continued)

OTHER PUBLICATIONS

Rogue Echo Bike product advertisement from <https://www.youtube.com/watch?v=9xfUu652CMg>, dated Dec. 26, 2017.
(Continued)

Primary Examiner — Ryan Harvey
(74) *Attorney, Agent, or Firm* — Banner & Witcoff, Ltd.

Related U.S. Application Data

(63) Continuation of application No. 29/741,408, filed on Jul. 13, 2020, which is a continuation of application No. 29/715,475, filed on Dec. 2, 2019, now Pat. No. Des. 890,275, which is a continuation of application No. 29/689,885, filed on May 2, 2019, now Pat. No. (Continued)

(57) **CLAIM**

The ornamental design for an exercise bike, as shown and described.

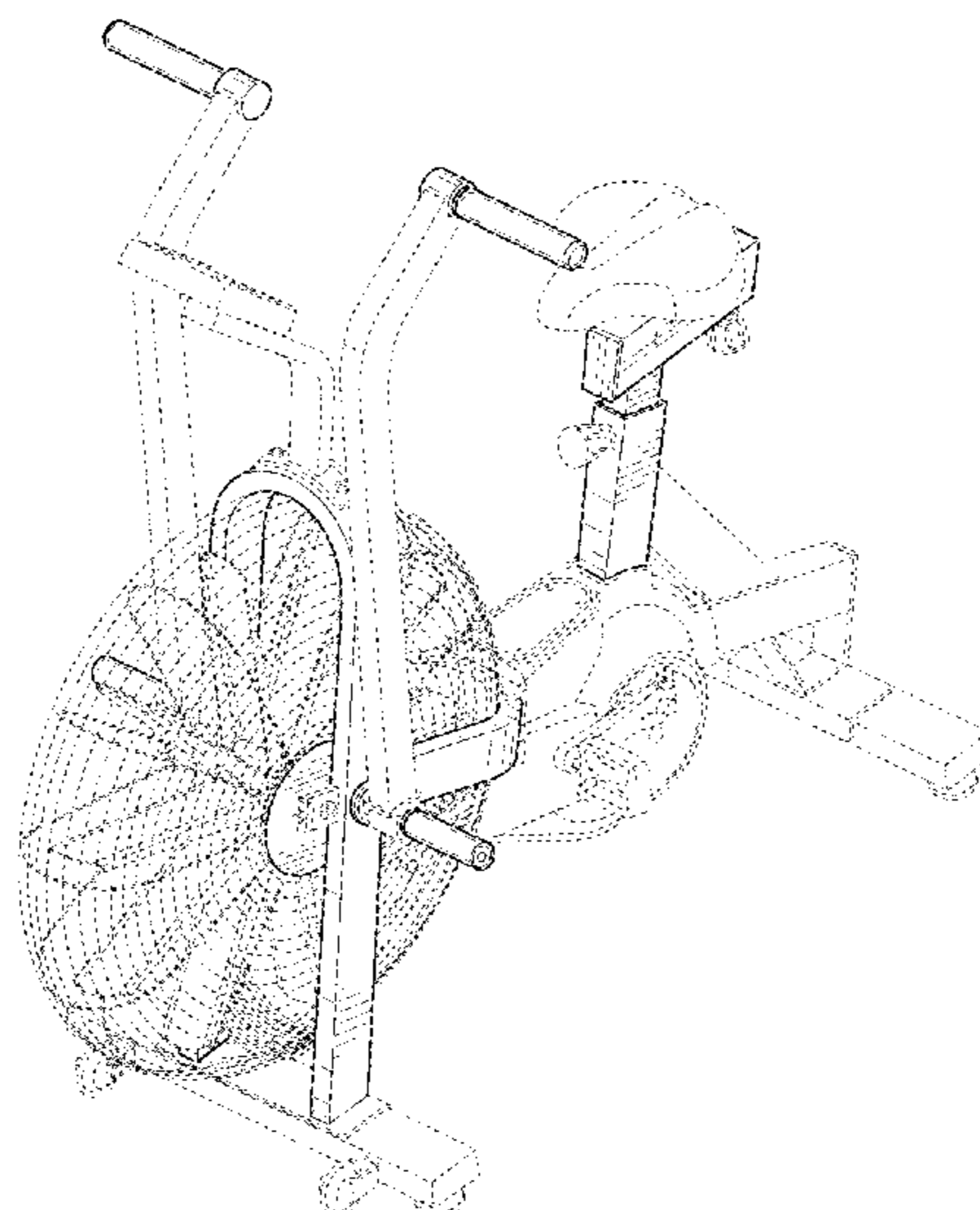
(51) **LOC (13) Cl.** **21-02**
(52) **U.S. Cl.**
USPC **D21/697**

DESCRIPTION

FIG. 1 is a top, front, left perspective view of an exercise bike showing our new design;
FIG. 2 is a top, front, right perspective view thereof;
FIG. 3 is a rear view thereof;
FIG. 4 is a front view thereof;
FIG. 5 is a left side view thereof;
FIG. 6 is a right side view thereof;
FIG. 7 is a top view thereof;
FIG. 8 is a top, rear, left perspective view thereof; and,
FIG. 9 is a top, rear, right perspective view thereof.
The broken lines immediately adjacent to the shaded area define the bounds of the claimed design and form no part thereof. The broken lines depicting the remainder of the exercise bike form no part of the claimed design.

(58) **Field of Classification Search**
USPC D21/663, 667, 666, 697, 694, 665, 668, D21/664, 690, 676, 670; 482/57, 62, 482/111, 139, 145, 60, 51, 123, 72, 61, 482/58, 9; 74/502.4, 502.6, 594.2, 594.1, 74/48; D12/178, 411, 345; D23/382, D23/381, 378, 412, 411; D13/115; D15/7
CPC . A63B 22/0605; A63B 21/225; A63B 22/001; A63B 22/0664; A63B 21/4047;
(Continued)

1 Claim, 9 Drawing Sheets



Related U.S. Application Data

Des. 870,829, which is a continuation of application No. 29/658,628, filed on Aug. 1, 2018, now Pat. No. Des. 858,663.

(58) **Field of Classification Search**

CPC ... A63B 21/0088; A63B 69/16; A63B 21/015; A63B 2225/09; A63B 2022/0652

See application file for complete search history.

(56) **References Cited**

U.S. PATENT DOCUMENTS

D292,304 S 10/1987 Ostrom
 4,712,789 A 12/1987 Brilando
 4,712,790 A 12/1987 Szymiski
 4,824,102 A 4/1989 Lo
 4,880,225 A 11/1989 Lucas et al.
 4,889,335 A 12/1989 Chen
 D306,330 S 2/1990 Lucas et al.
 D307,167 S 4/1990 Lucas et al.
 4,917,376 A 4/1990 Lo
 D307,614 S 5/1990 Bingham et al.
 D307,615 S 5/1990 Bingham et al.
 4,932,649 A 6/1990 Chen
 4,961,569 A 10/1990 Roberge
 4,961,570 A 10/1990 Chang
 4,962,925 A 10/1990 Chang
 4,971,316 A 11/1990 Dalebout et al.
 4,981,294 A 1/1991 Dalebout et al.
 5,000,444 A 3/1991 Dalebout et al.
 D319,274 S 8/1991 Byrd et al.
 D319,480 S 8/1991 Byrd et al.
 D319,675 S 9/1991 Byrd et al.
 5,048,824 A 9/1991 Chen
 5,149,312 A 9/1992 Croft et al.
 D330,236 S 10/1992 Jarriel et al.
 D333,868 S 3/1993 Yaung
 RE34,478 E 12/1993 Dalebout et al.
 D344,583 S 2/1994 Hsu
 5,290,212 A 3/1994 Metcalf
 5,346,445 A 9/1994 Chang
 5,397,286 A 3/1995 Chang
 5,443,434 A 8/1995 Buchanan et al.
 5,795,270 A 8/1998 Woods et al.
 D418,218 S 12/1999 Hsu
 6,159,132 A 12/2000 Chang
 6,220,991 B1 4/2001 Sellers
 D459,796 S 7/2002 Moreno
 D465,818 S 11/2002 Goldberg
 D473,274 S 4/2003 Baudhuin et al.
 D473,602 S 4/2003 Baudhuin et al.
 D474,252 S 5/2003 Lull et al.
 D488,861 S 4/2004 Moreno
 D503,472 S 3/2005 Tai
 D503,474 S 3/2005 Tai
 6,881,178 B1 4/2005 Goldberg
 D507,313 S 7/2005 Goldberg
 D516,208 S 2/2006 Tai
 7,175,570 B2 2/2007 Lull et al.
 D636,449 S 4/2011 Wu
 D645,134 S 9/2011 Lee et al.
 D654,134 S 2/2012 Edge et al.
 D677,351 S 3/2013 Baudhuin
 D677,747 S 3/2013 Baudhuin et al.
 D679,765 S 4/2013 Baudhuin et al.
 D699,305 S 2/2014 Rauwerdink
 D699,795 S 2/2014 Rauwerdink
 D699,796 S 2/2014 Flick et al.
 D700,668 S 3/2014 Flick et al.
 D709,566 S 7/2014 Baudhuin
 D709,567 S 7/2014 Baudhuin et al.
 D756,500 S 5/2016 Rasmussen
 D767,049 S 9/2016 Flick et al.
 D767,050 S 9/2016 Flick et al.
 D767,051 S 9/2016 Flick et al.

D781,385 S 3/2017 Flick et al.
 D781,971 S 3/2017 Hsieh
 D806,223 S 12/2017 Allard et al.
 9,889,336 B1 2/2018 Chen
 D834,174 S 11/2018 Fuselier
 D850,603 S 6/2019 Wang
 D852,905 S 7/2019 Flick
 D856,445 S 8/2019 Jones
 D858,663 S 9/2019 Jones et al.
 D861,809 S 10/2019 Jones et al.
 D870,829 S 12/2019 Jones et al.
 D873,305 S 1/2020 Thoofft et al.
 D873,405 S 1/2020 McRoberts
 D890,275 S * 7/2020 Jones D21/697
 2007/0179025 A1 8/2007 Tsai
 2012/0065029 A1 3/2012 Dunlap
 2017/0274238 A1 9/2017 Chou
 2018/0064982 A1 3/2018 Chen
 2018/0256932 A1 9/2018 Hsu
 2018/0326257 A1 11/2018 Jones et al.

FOREIGN PATENT DOCUMENTS

EM 002248963-0003 7/2013
 EM 002746099-0002 8/2015
 EP 001622945-0005 10/2009

OTHER PUBLICATIONS

Rogue Echo Bike product advertisement from <<https://www.instagram.com/p/BdLU50LI7u/?hl=en>>, dated Dec. 26, 2017.
 Rogue Echo Bike product listing from <<https://www.roguefitness.com/rogue-echo-bike>>, dated Sep. 13, 2018.
 Schwinn Airdyne Pro product advertisement from <https://www.youtube.com/watch?v=c4t_XRTzwPk>, dated Nov. 17, 2015.
 Schwinn Airdyne Pro product listing from <<https://www.roguefitness.com/schwinn-airdyne-pro>>, dated Sep. 13, 2018.
 Schwinn Airdyne AD6 product listing from <https://www.schwinnfitness.com/ad6/100250.html?adID=SDOSG2SSL4&gclid=EAlalQobChM12AUhOa43Q1Vyh-GCh1j5wPmEAAYAiAAEgJJ7fID_BwE&gclid=awds&psearch=1>, dated Sep. 13, 2018.
 Concept2 BikeERG product advertisement from <<https://www.youtube.com/watch?v=nq9fnKhJMgg>>, dated Sep. 1, 2017.
 Concept2 BikeERG product listing from <<https://www.concept2.com/bikeerg/concept2-bikeerg>>, dated Sep. 13, 2018.
 Concept2 BikeERG product listing from <<https://www.roguefitness.com/concept2-bike-erg>>, dated Sep. 13, 2018.
 Assault Airbike product listing from <<https://www.roguefitness.com/assault-airbike-and-accessories>>, dated Sep. 13, 2018.
 Assault Airbike product photos from <<https://www.assaultfitness.com/products/airbike-classic>>, dated Sep. 13, 2018.
 Assault Airbike product advertisement from <<https://www.youtube.com/watch?v=uvgwUrD8W6w>>, dated Feb. 9, 2015.
 Assault Airbike Elite product advertisement from <<https://www.youtube.com/watch?v=YdSAtaj5xWw>>, dated Nov. 21, 2017.
 Assault Airbike Elite product photos from <<https://www.assaultfitness.com/products/airbike-elite>>, dated Sep. 13, 2018.
 “Assault Air Bike Owner’s Manual”, Assault Air Bike, pp. 1-24, published 2013 (24 pages).
 “Chaimberg RXM Air Bike—Gronk Fitness Edition ”; Gronk Fitness; retrieved Feb. 10, 2021; currently believed to be publicly disclosed as early as Jul. 2018; URL: <<https://www.gronkfitnessproducts.com/products/chaimberg-rxm-air-bike-gronk-fitness-edition>>.
 “ProForm XP Whirlwind 320 Exercise Bike, Review”; Exercise Bike Zone; retrieved Feb. 10, 2021; published Sep. 9, 2014 URL: <<https://exercisebikezone.blogspot.com/2014/09/proform-xp-whirwind-320-exercise-bike.html>>.
 “Marcy Fan Bike | NS-1000”; Marcy; retrieved Feb. 10, 2021; publicly disclosed as early as Dec. 29, 2015; URL: <<https://www.marcypro.com/marcy-fan-bike-ns-1000>>.
 “Schwinn Airdyne AD2 Dual Action Air Cycle”; Fitness Superstore; retrieved Feb. 10, 2021; publicly disclosed as early as Dec. 19, 2017; URL: <<https://www.fitness-superstore.co.uk/schwinn-airdyne-ad2-dual-action-air-cycle-1.html>>.

(56)

References Cited

OTHER PUBLICATIONS

“Schwinn Airdyne AD8”; Schwinn Fitness; retrieved Feb. 10, 2021; publicly disclosed as early as Dec. 18, 2015 URL: <<https://global.schwinnfitness.com/en/ad8/100475.html>>.

“Xebex Air Bike”; Xebex Fitness; retrieved Feb. 10, 2021; publicly disclosed as early as May 28, 2016; URL: <<http://xebexfitness.com/xebexairbike.html>>.

“{Overview] Schwinn AD2 Airdyne Exercise Bike 2014 Edition!”; Youtube; retrieved Mar. 12, 2021; published Jan. 28, 2014; URL: <<https://www.youtube.com/watch?v=8QWFa0wuLRU>>.

Pictures of Schwinn Air-Dyne Exerciser, by Schwinn Bicycle Company, 1 color sheet of photographs, publicly disclosed no later than Dec. 31, 1981.

Catalog for “Schwinn Bicycles and Accessories 1980”, Schwinn Bicycle Company, pp. 50-57, published 1980 (8 pages).

Screenshot of Assault Airbike from www.rogueeurope.eu, using the website “waybackmachine” <https://web.archive.org/web/2016041602458/http://www.rogueeurope.eu/assault-air-bike-eu>, dated Apr. 16, 2016, accessed Jun. 2, 2020.

Screenshot of Assault Airbike from <https://www.youtube.com/watch?v=415bFWoX4go>, dated Aug. 27, 2014, accessed Jun. 2, 2020.

Screenshot of Schwinn Airdyne Ad Pro Bike from www.rogueeurope.eu, using the website “waybackmachine” <https://web.archive.org/web/20160319150010/http://www.roguefitness.com/schwinn-airdyne-ad-pro>, dated Mar. 19, 2016, accessed Jun. 2, 2020.

Screenshot of GetRxd Xebex Fitness Air Bike from <https://www.youtube.com/watch?v=EXOBMBRzBFg>, dated May 30, 2016 accessed Jun. 2, 2020.

Screenshot of ‘Owner’s manual’ for Assault AirBike from <https://www.360fitnesssuperstore.com/pdf/fitness-equipment-manuals/Assault/Assault-AirBike-Owners-Manual.pdf>, dated Sep. 2013, accessed Jun. 2, 2020.

Screenshot of Xebex Airbike from <https://www.youtube.com/watch?v=5bUOd9W6iP4>, dated Oct. 17, 2015, accessed Jun. 2, 2020.

Screenshot of Proform XP Whirlwind 280 Bike from <https://www.youtube.com/watch?v=jiFijZFfGEA>, dated Apr. 4, 2012, accessed Jun. 2, 2020.

Screenshot of Assault Airbike from <https://www.youtube.com/watch?v=x4Lo-0eeLbM>, dated May 8, 2016, accessed Jul. 2, 2020.

Screenshot of Elite Assault Bike from <https://www.youtube.com/watch?v=5fkK60ZLDAQ>, dated Sep. 4, 2017, accessed Jul. 2, 2020.

Screenshot from Club Industry article showing release of Elite Assault Bike from <https://www.clubindustry.com/news-Dentral/two-new-assault-fitness-products-hit-gym-floor>, dated Jun. 21, 2017, accessed Jul. 2, 2020.

Screenshot of Airdyne AD2 from <https://www.youtube.com/watch?v=5fkK60ZLDAQ>, dated Feb. 18, 2017, accessed Jul. 2, 2020.

Screenshot of Airmill Air Bike from <https://www.youtube.com/watch?v=DI6ijl34q-8>, dated Apr. 17, 2017, accessed Jul. 2, 2020.

Screenshot of Gronnk Fitness Chaimberg RXM from <https://www.youtube.com/watch?v=Q9DgiDc4yro>, dated Apr. 20, 2018, accessed Jul. 2, 2020.

Screenshot of JLL Sonic 1 Airbike unboxing from https://www.youtube.com/watch?v=MOH6mQKU-_Y, dated Mar. 8, 2019, accessed Jul. 2, 2020.

Website link to history of exercise bikes released by Mad Dog Athletics, <https://www.maddogg.com/history.html>, accessed Jul. 2, 2020.

Screenshot of Bulldog Gear Airbike 1.0 from https://www.youtube.com/watch?v=MOH6mQKU-_Y, dated Mar. 8, 2019, accessed Jul. 2, 2020.

Screenshot showing sale of Bulldog Gear Airbike 1.0 from www.bulldoggear.eu using the website “waybackmachine” <https://web.archive.org/web/20161208114845/http://www.bulldoggear.eu/collections/conditioning/products/bulldog-gear-airbike>, dated Dec. 8, 2016, accessed Jul. 2, 2020.

Registered Community Design No. 002746099-0002, dated Jul. 30, 2015.

Registered Community Design No. 002248963-0001, dated Jun. 4, 2013.

Registered Community Design No. 002248963-0003, dated Jun. 4, 2013.

Screenshot from LlifeFitness article “50 Years Ago This Ground-breaking Indoor Cycle Changed Fitness” from <https://www.lifefitness.com/en-US/blog/50-years-ago-groundbreaking-indoor-cycle-changed-fitness>, accessed Feb. 10, 2021.

Screenshot of Assault AirBike Classic from <https://www.amazon.com/Assault-Fitness-Air-Bike-AirBike/dp/B00F74RX40>, publicly disclosed as early as Nov. 1, 2013, accessed Feb. 10, 2021.

Screenshot of Assault Fitness AirBike Classic from <https://www.titaniumstrength.co.uk/assault-fitness-airbike-classic.html?gclid=EAlalQobChMltOjr9fPB7gIVqejtCh2ykwqrEAQYAyABEgLiLPDBwE>, publicly disclosed as early as Nov. 1, 2013, accessed Feb. 10, 2021.

Screenshot of Assault Bike Elite from <https://www.assaultfitness.com/products/airbike-elite>, accessed Feb. 10, 2021.

Canadian Industrial Design Patent No. CA65213 full patent report. Registered Community Design No. 00020557-0004, dated Apr. 9, 2003, accessed Feb. 2, 2021.

Registered Community Design No. 000077219-0001, dated Sep. 19, 2003, accessed Mar. 18, 2021.

Registered Community Design No. 000134168-0004, dated Jan. 27, 2004, accessed Feb. 17, 2021.

Registered Community Design No. 000150552-0002, dated Mar. 9, 2004, accessed Feb. 17, 2021.

Registered Community Design No. 000467337-0001, dated Jan. 18, 2006, accessed Feb. 17, 2021.

Registered Community Design No. 001135206-0005, dated May 6, 2009, accessed Feb. 17, 2021.

Registered Community Design No. 00118093-0001, dated Nov. 23, 2009, accessed, Mar. 18, 2021.

Registered Community Design No. 001202550-0004, dated Apr. 23, 2010, accessed, Mar. 18, 2021.

Registered Community Design No. 001563719-0005, dated Jun. 29, 2009, accessed, Mar. 18, 2021.

Registered Community Design No. 002280453-0001, dated Jul. 24, 2013, accessed, Feb. 17, 2021.

Registered Community Design No. 002453753-0001, dated Apr. 28, 2014, accessed, Mar. 18, 2021.

Registered Community Design No. 002773523-0002, dated Sep. 16, 2015, accessed, Mar. 18, 2021.

Registered Community Design No. 003017870-0002, dated Mar. 7, 2016, accessed, Mar. 18, 2021.

Registered Community Design No. 003450626-0003, dated Nov. 7, 2016, accessed, Mar. 18, 2021.

EUIPO search of Registered Community Design No. 000020557-0004, accessed, Feb. 10, 2021.

EUIPO search of Registered Community Design No. 000134168-0004, accessed, Feb. 10, 2021.

EUIPO search of Registered Community Design No. 000150552-0002, accessed, Feb. 10, 2021.

EUIPO search of Registered Community Design No. 000467337-0001, accessed, Feb. 10, 2021.

EUIPO search of Registered Community Design No. 001135206-0005, accessed, Feb. 10, 2021.

EUIPO search of Registered Community Design No. 001622945-0005, accessed, Feb. 10, 2021.

EUIPO search of Registered Community Design No. 001622945-0007, accessed, Feb. 10, 2021.

EUIPO search of Registered Community Design No. 002248963-0001, accessed, Feb. 10, 2021.

EUIPO search of Registered Community Design No. 002248963-0003, accessed, Feb. 10, 2021.

EUIPO search of Registered Community Design No. 002280453-0001, accessed, Feb. 10, 2021.

EUIPO search of Registered Community Design No. 002746099-0002, accessed, Feb. 10, 2021.

Screenshot of Rogue Echo Bike from <https://www.rogueeurope.eu/rogue-echo-bike-eu>, publicly disclosed no later than Apr. 7, 2019, accessed Feb. 10, 2021.

(56)

References Cited

OTHER PUBLICATIONS

Screenshot of Garage Gym Reviews showing the Xebex Airmill Air Bike from <https://www.garagegymreviews.com/xebex-airmill-air-bike>, earliest known date Aug. 9, 2020, accessed Feb. 10, 2021.

Coulter Ventures LLC v Bulldog Gear Limited, UK High Court (Eng. & Wales), Claim No. HP-2019-000054, Defence and Counterclaim, dated Feb. 13, 2020.

Coulter Ventures LLC v Bulldog Gear Limited, High Court (Eng. & Wales), Claim No. HP-2019-000054, Defendant's Initial Disclosure List of Documents, dated Feb. 12, 2020.

Coulter Ventures LLC v Bulldog Gear Limited, High Court (Eng. & Wales), Claim No. HP-2019-000054, Amended Defence and Counterclaim, dated Apr. 23, 2020.

Coulter Ventures LLC v Bulldog Gear Limited, High Court (Eng. & Wales), Claim No. HP-2019-000054, Amended Defendant's Initial Disclosure List of Documents, dated Apr. 23, 2020.

Coulter Ventures LLC v Bulldog Gear Limited, High Court (Eng. & Wales), Claim No. HP-2019-000054, Re-Amended Defence and Counterclaim, dated Feb. 4, 2021.

Coulter Ventures LLC v Bulldog Gear Limited, High Court (Eng. & Wales), Claim No. HP-2019-000054, Claim Form and Particulars of Claim, dated Dec. 18, 2019.

Coulter Ventures LLC v Bulldog Gear Limited, High Court (Eng. & Wales), Claim No. HP-2019-000054, Claimant's Initial Disclosure List of Documents, dated Dec. 18, 2019.

Coulter Ventures LLC v Bulldog Gear Limited, High Court (Eng. & Wales), Claim No. HP-2019-000054, Reply and Defence to Counterclaim, dated Apr. 2, 2020.

Coulter Ventures LLC v Bulldog Gear Limited, High Court (Eng. & Wales), Claim No. HP-2019-000054, Amended Claim Form and Amended Particulars of Claim, dated Dec. 23, 2020.

Coulter Ventures LLC v Bulldog Gear Limited, High Court (Eng. & Wales), Claim No. HP-2019-000054, Amended Reply and Defence to Counterclaim, dated Feb. 18, 2021.

* cited by examiner

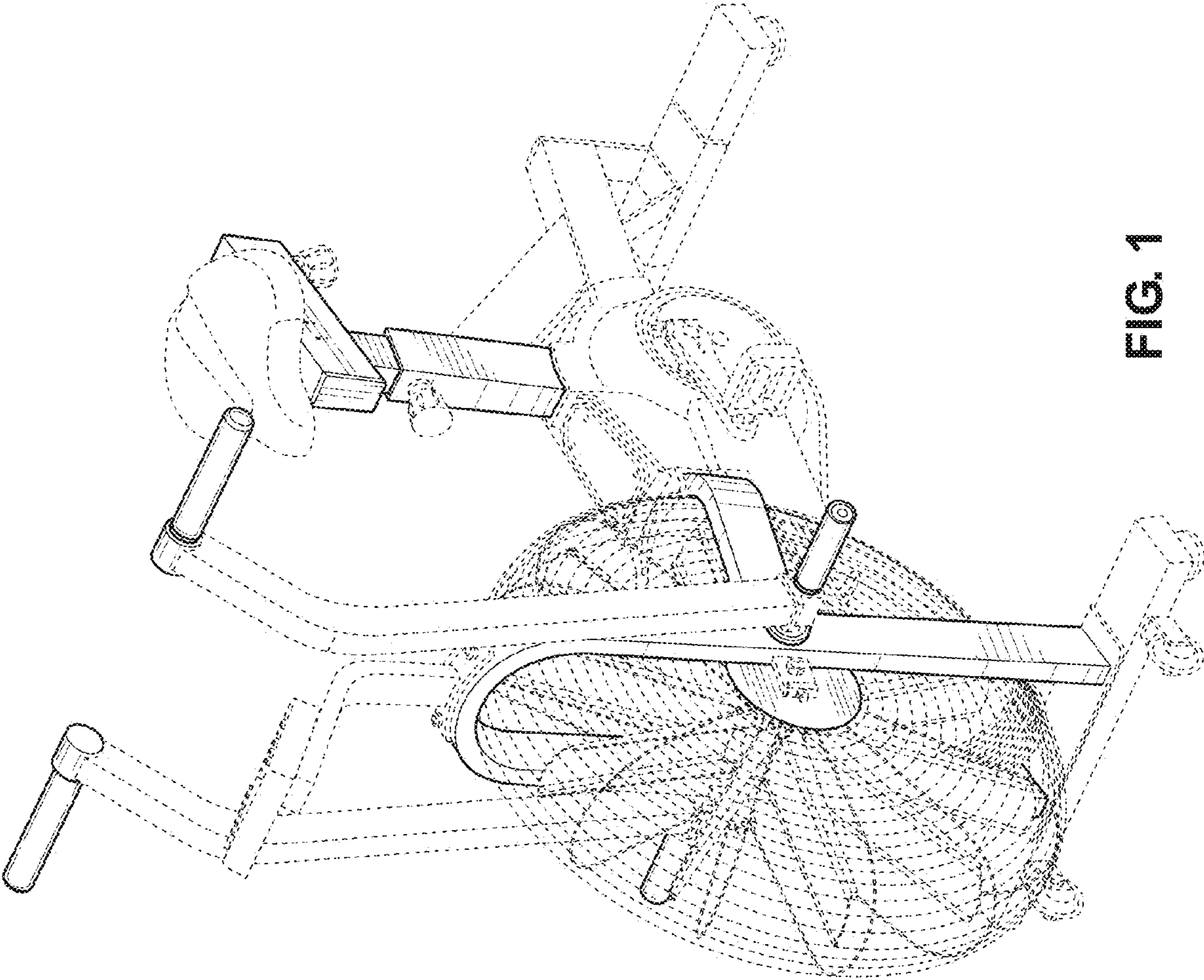


FIG. 1

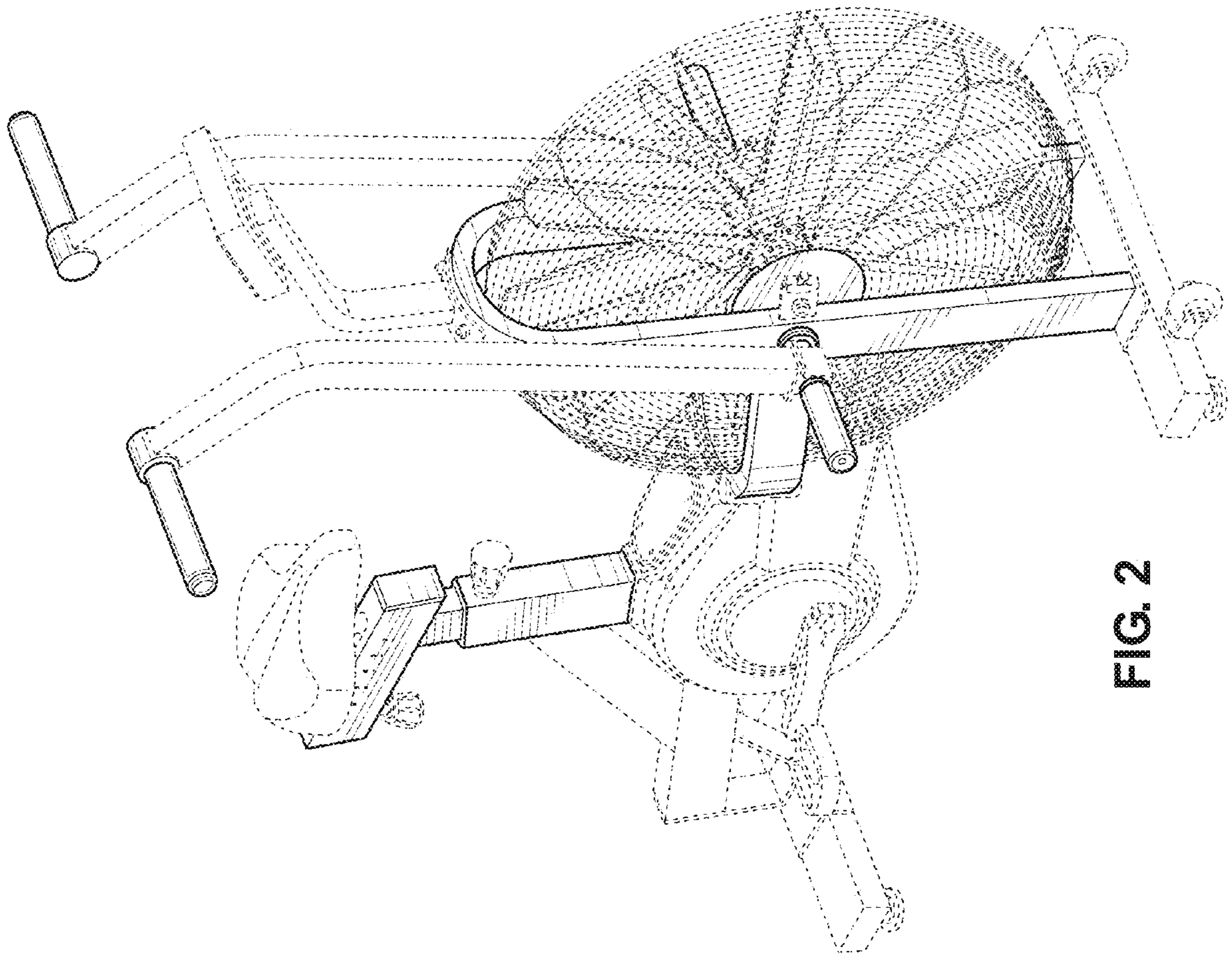
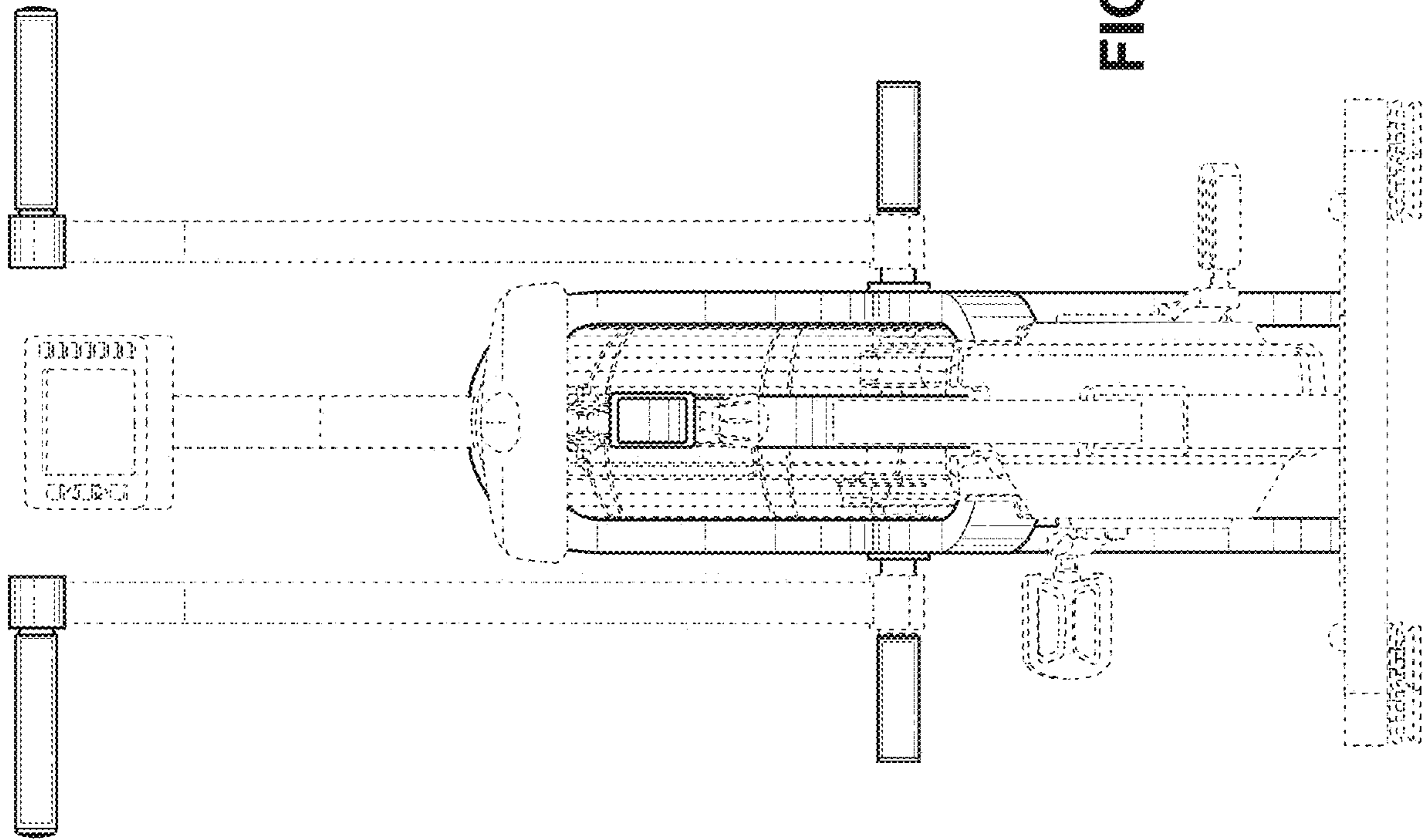
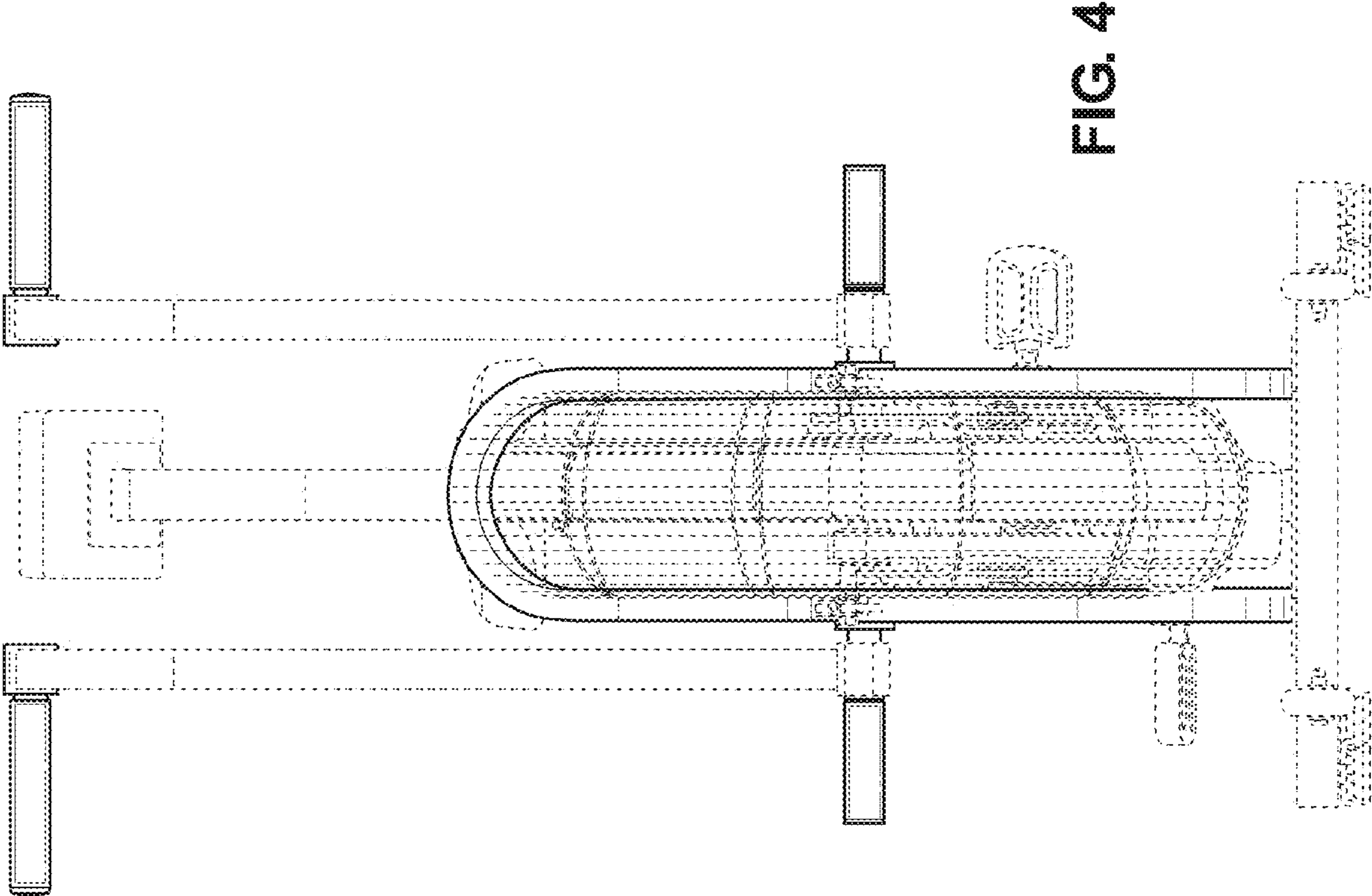


FIG. 2





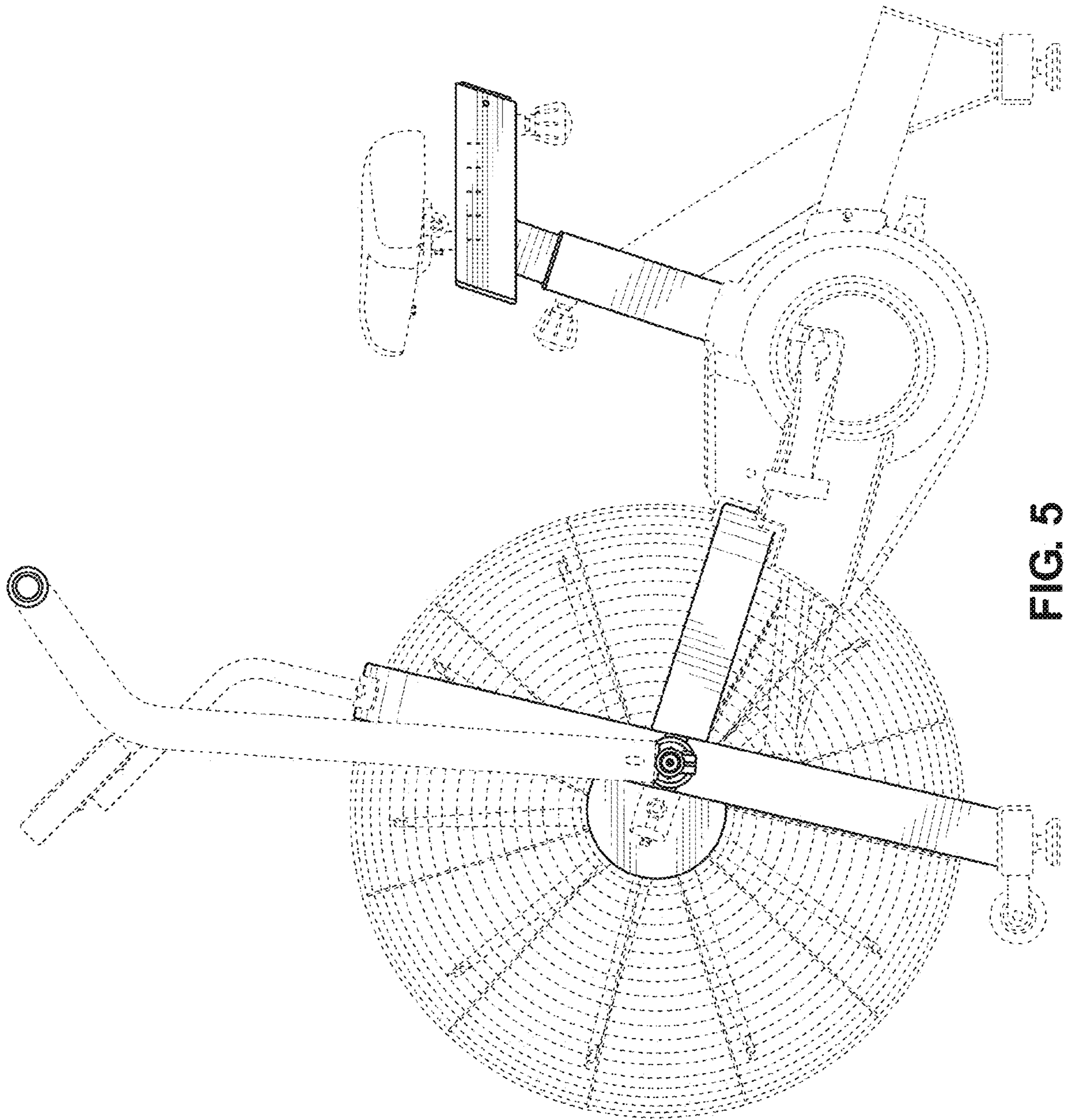


FIG. 5

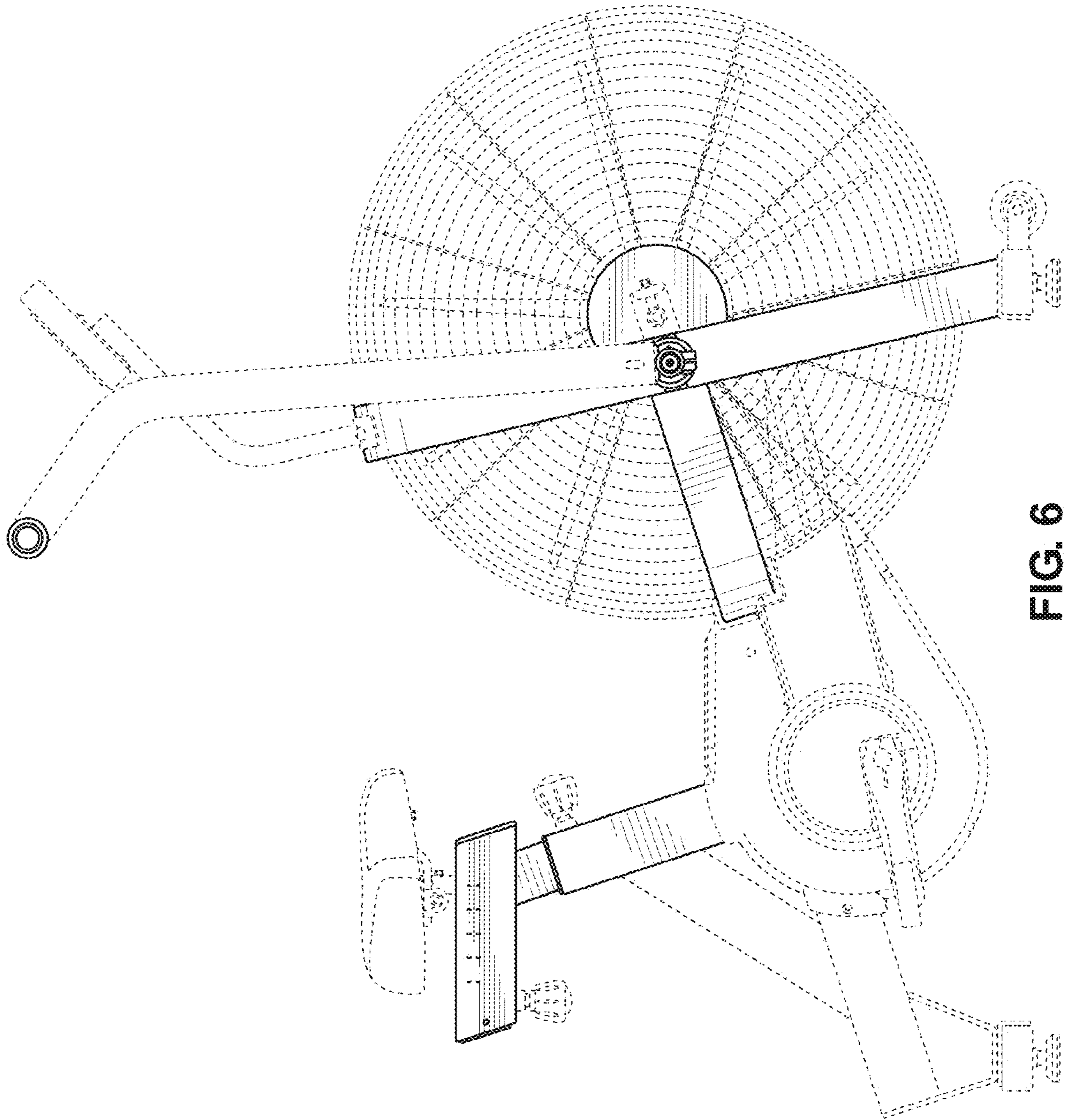


FIG. 6

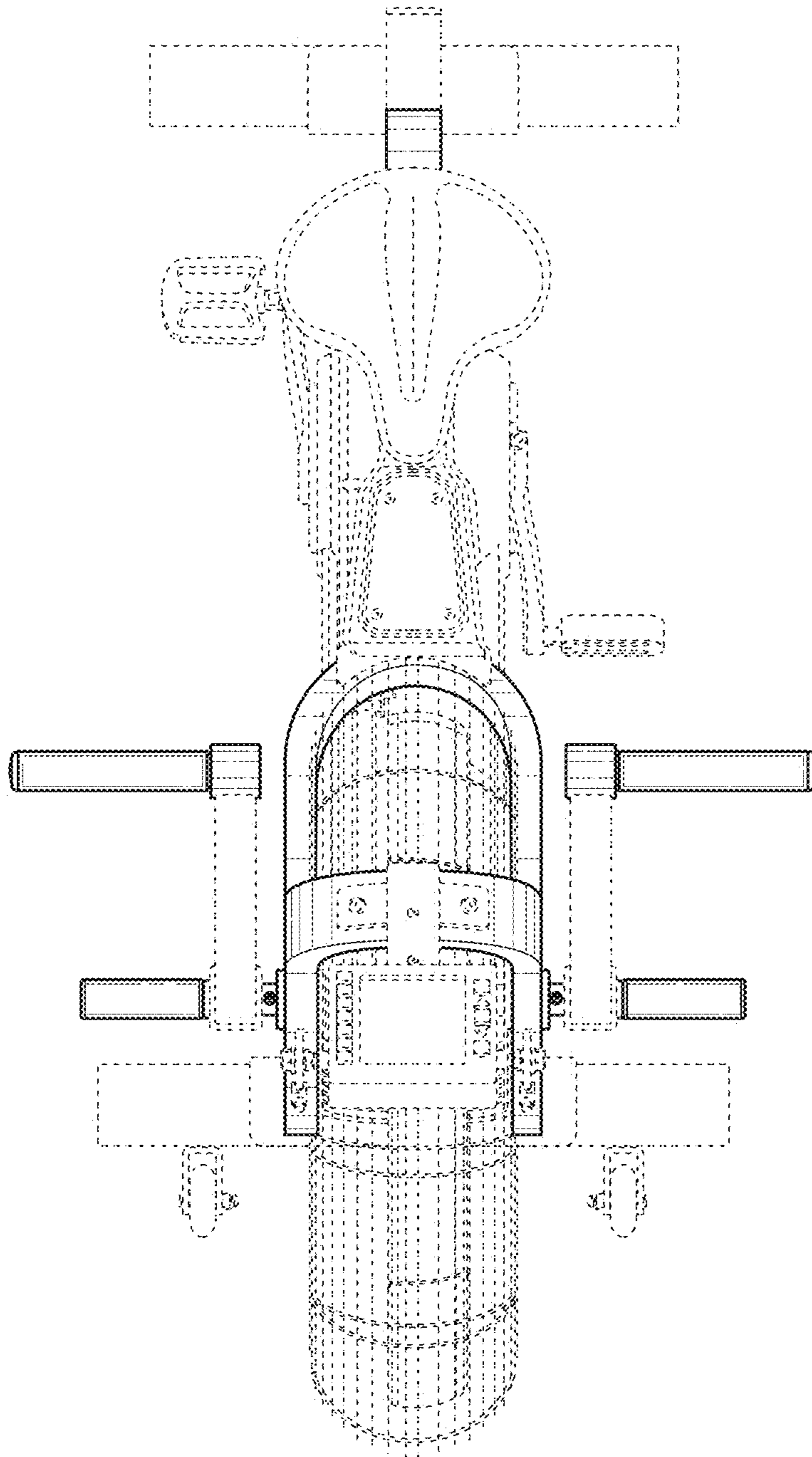


FIG. 7

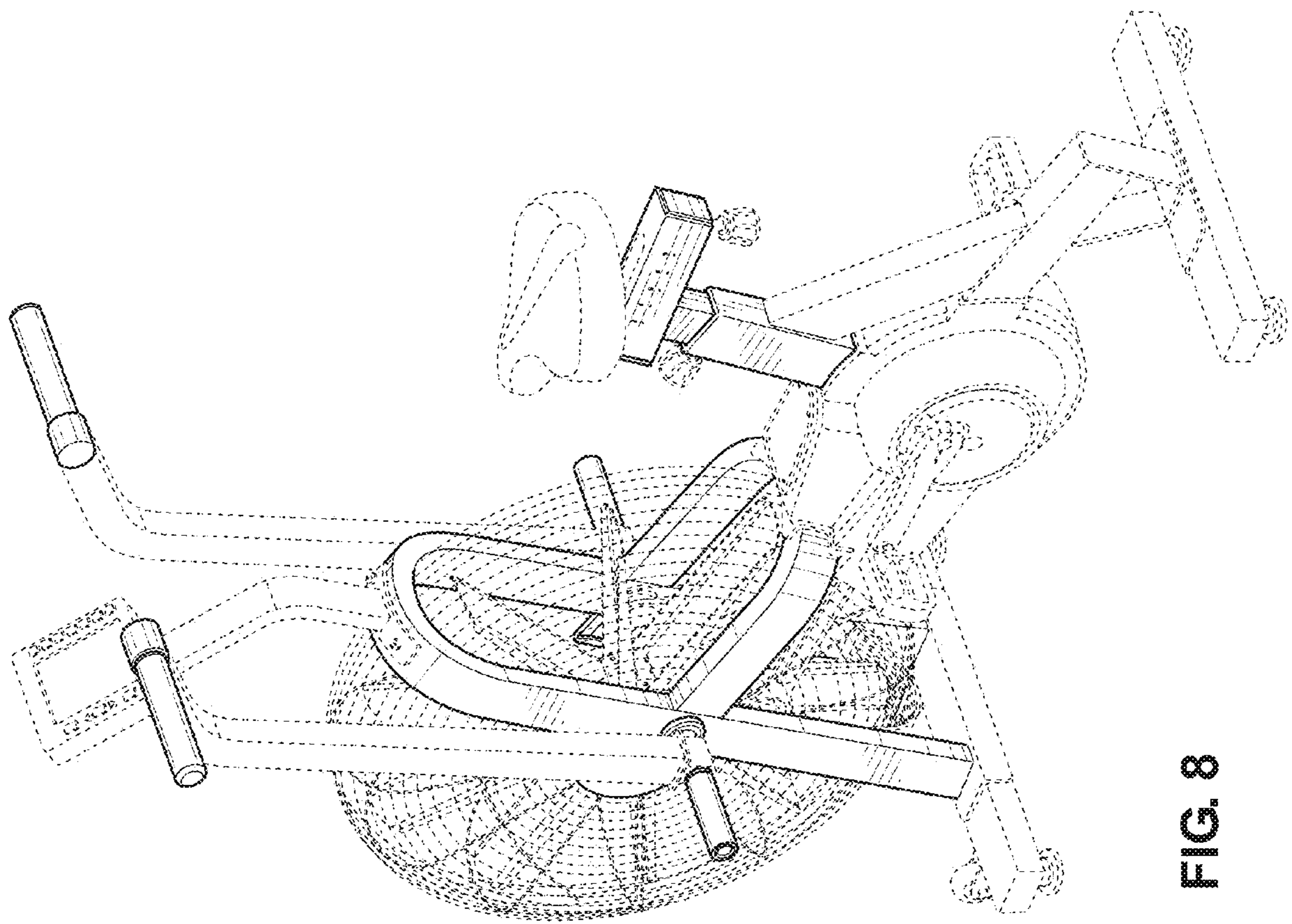


FIG. 8

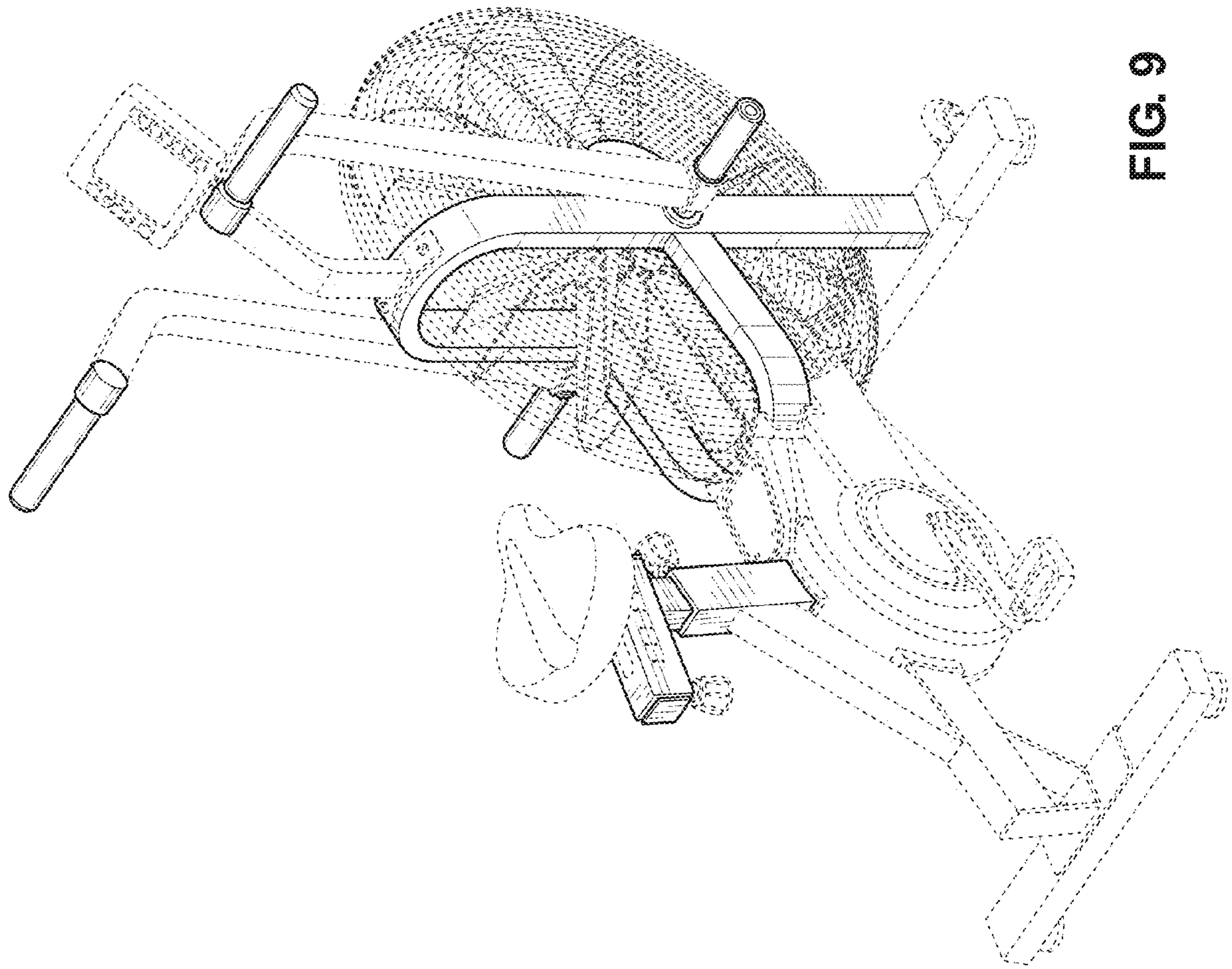


FIG. 9