



US00D943689S

(12) **United States Design Patent** (10) **Patent No.:** **US D943,689 S**  
**Ren** (45) **Date of Patent:** **\*\* Feb. 15, 2022**

(54) **DANCING POLE**

(71) Applicant: **QING DAO YOU TU INTERNATIONAL SUPPLY CHAIN MANAGEMENT CO., LTD.**, Qingdao (CN)

(72) Inventor: **Lei Ren**, Linyi (CN)

(73) Assignee: **QING DAO YOU TU INTERNATIONAL SUPPLY CHAIN MANAGEMENT CO., LTD.**, Qingdao (CN)

(\*\*) Term: **15 Years**

(21) Appl. No.: **29/767,374**

(22) Filed: **Jan. 22, 2021**

(51) **LOC (13) Cl.** ..... **21-02**

(52) **U.S. Cl.**  
USPC ..... **D21/686**

(58) **Field of Classification Search**  
USPC ..... D21/686, 662, 679, 694, 797, 673, 670, D21/665, 687, 682; D26/110  
See application file for complete search history.

(56) **References Cited**

**U.S. PATENT DOCUMENTS**

D168,280	S	*	11/1952	Schwarz	.....	D26/93
3,038,688	A	*	6/1962	Thorburn	.....	A47G 33/12 47/40.5
D368,548	S	*	4/1996	Lee	.....	D26/106
D428,515	S	*	7/2000	Sherman	.....	D26/110
D580,090	S	*	11/2008	Kubler	.....	D26/105
D583,425	S		12/2008	Kushner		
D631,518	S		1/2011	Coote		
9,999,795	B1	*	6/2018	Jarosz	.....	A63B 9/00
D823,952	S	*	7/2018	Shulte	.....	D21/679
10,458,838	B2	*	10/2019	Lee	.....	G01C 19/00

D876,707	S	*	2/2020	Tang	.....	D26/110
D938,094	S	*	12/2021	Wang	.....	D26/106
2007/0184946	A1	*	8/2007	Kuhagen	.....	A63B 21/06 482/110

(Continued)

**OTHER PUBLICATIONS**

Yaheetech, announced 2018[online], Available on internet, URL:https://www.amazon.com/Yaheetech-Professional-Spinning-Portable-Removable/dp/B07CXTLMSJ/ref (Year: 2018).\*

*Primary Examiner* — Khawaja Anwar  
*Assistant Examiner* — Julice Seung Eun Oum

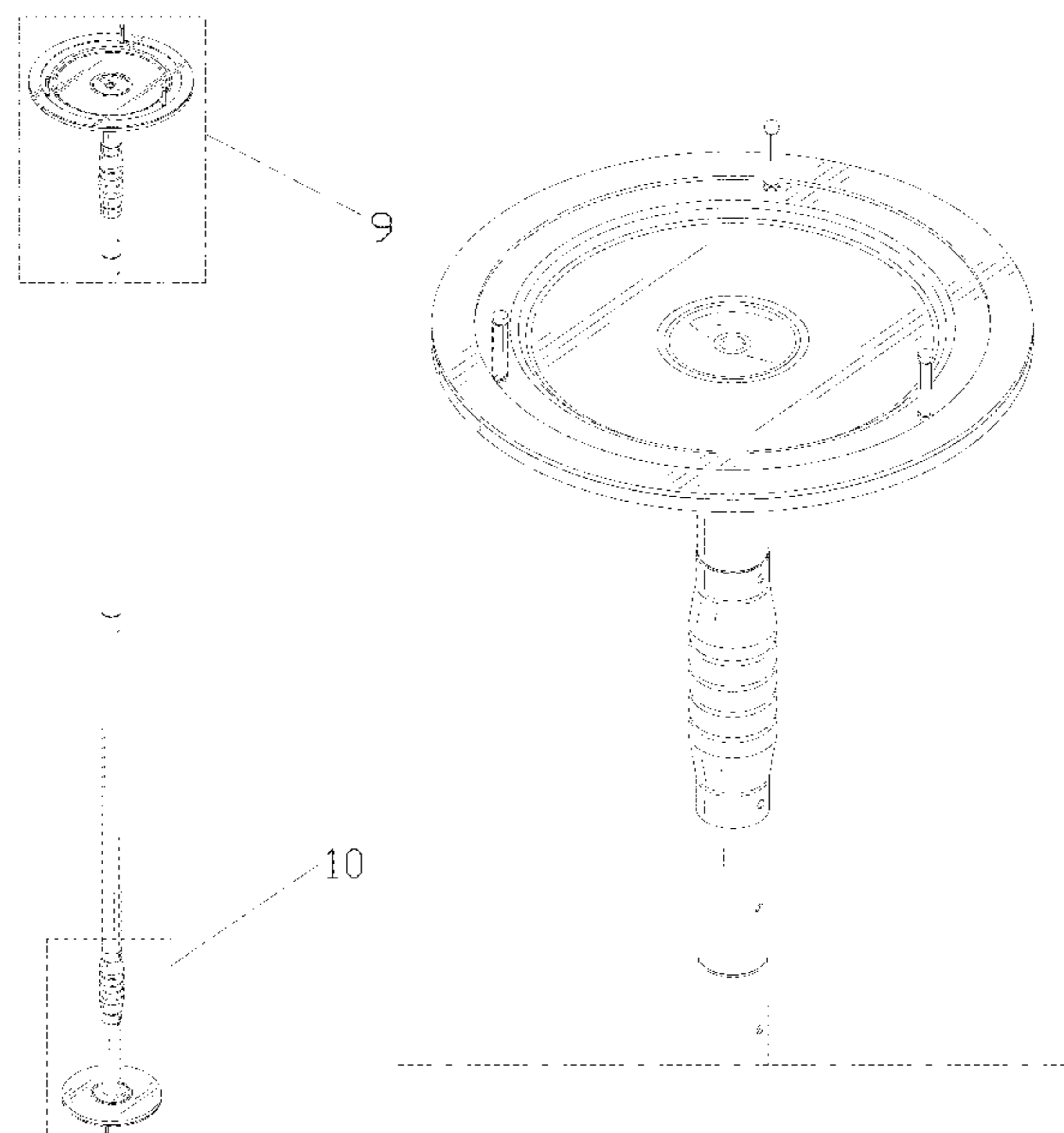
(57) **CLAIM**

The ornamental design for a dancing pole, as shown and described.

**DESCRIPTION**

FIG. 1 is a perspective view of a dancing pole showing my new design;  
FIG. 2 is another perspective view thereof;  
FIG. 3 is a front elevational view thereof;  
FIG. 4 is a rear elevational view thereof;  
FIG. 5 is a left side elevational view thereof;  
FIG. 6 is a right side elevational view thereof;  
FIG. 7 is a top plan view thereof;  
FIG. 8 is a bottom plan view thereof;  
FIG. 9 is an enlarged view of portion 9 shown in FIG. 1;  
FIG. 10 is an enlarged view of portion 10 shown in FIG. 1;  
FIG. 11 is an enlarged view of portion 11 shown in FIG. 2;  
FIG. 12 is an enlarged view of portion 12 shown in FIG. 2;  
FIG. 13 is an enlarged view of portion 13 shown in FIG. 3;  
and,  
FIG. 14 is an enlarged view of portion 14 shown in FIG. 3.

**1 Claim, 14 Drawing Sheets**



(56)

**References Cited**

U.S. PATENT DOCUMENTS

2008/0146423 A1\* 6/2008 Ammon ..... A63B 9/00  
482/131  
2010/0197464 A1\* 8/2010 Coote ..... A63B 9/00  
482/51  
2018/0169455 A1\* 6/2018 Jarosz ..... A63B 21/1681

\* cited by examiner

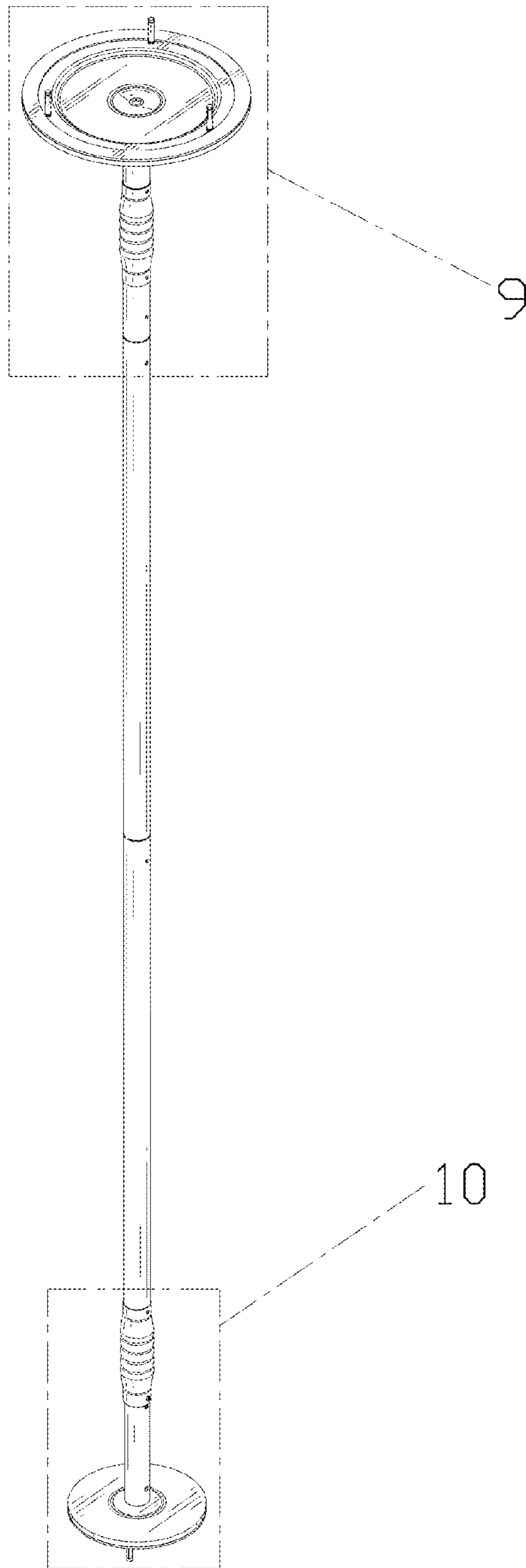


FIG. 1

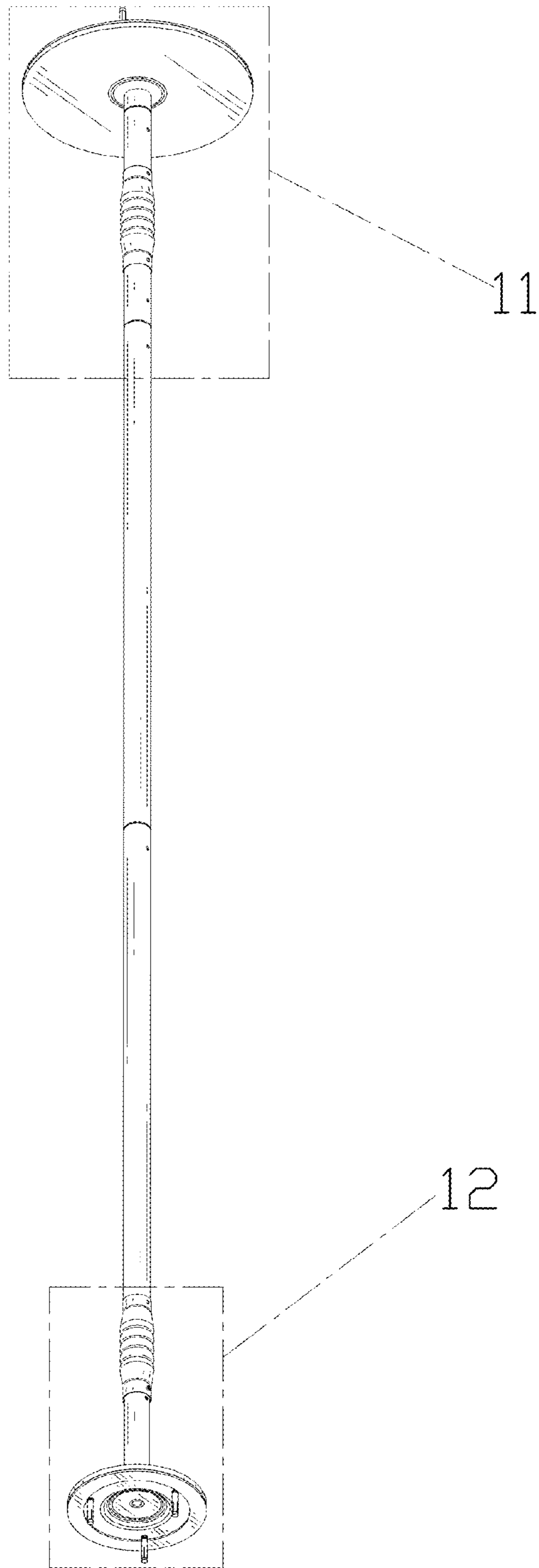


FIG. 2

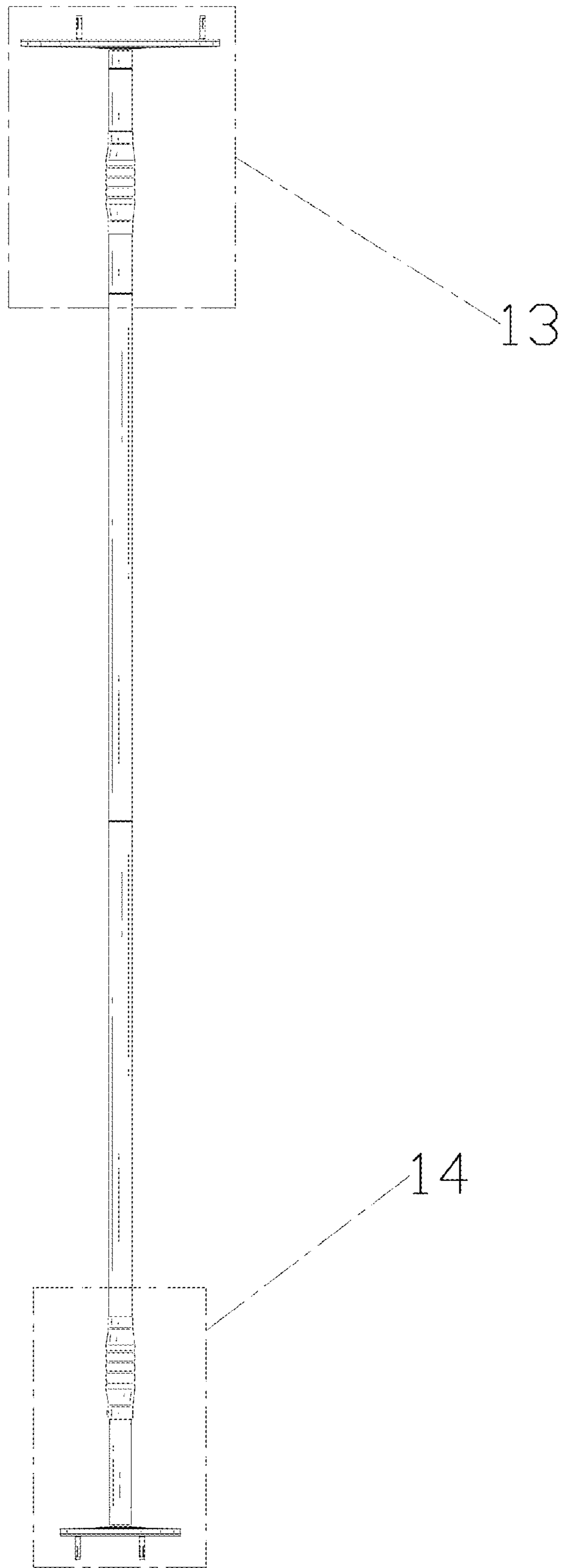


FIG. 3

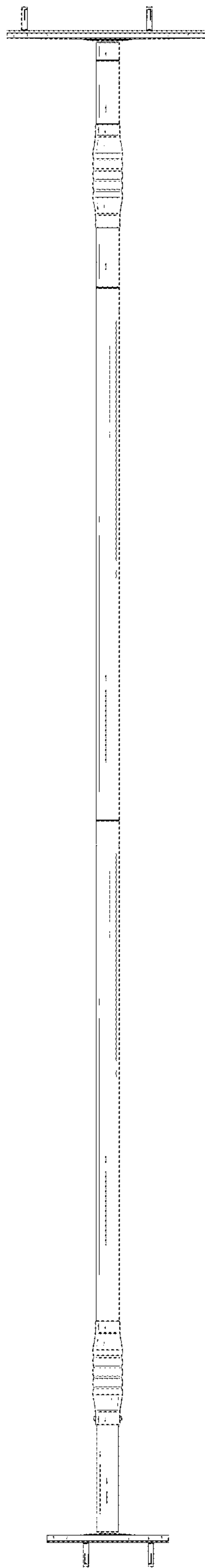


FIG. 4

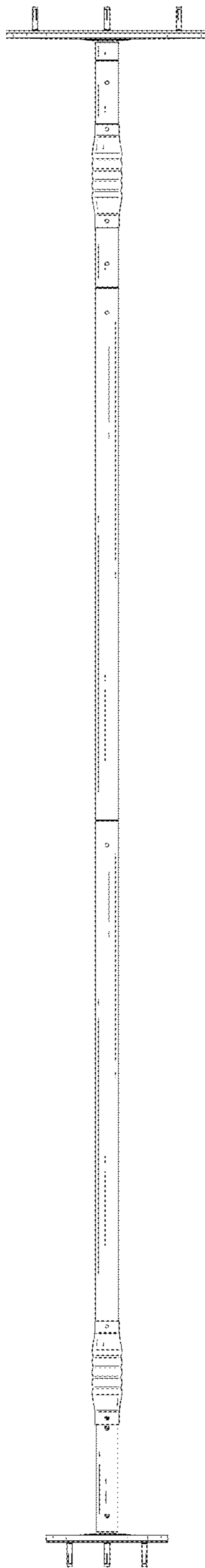


FIG. 5

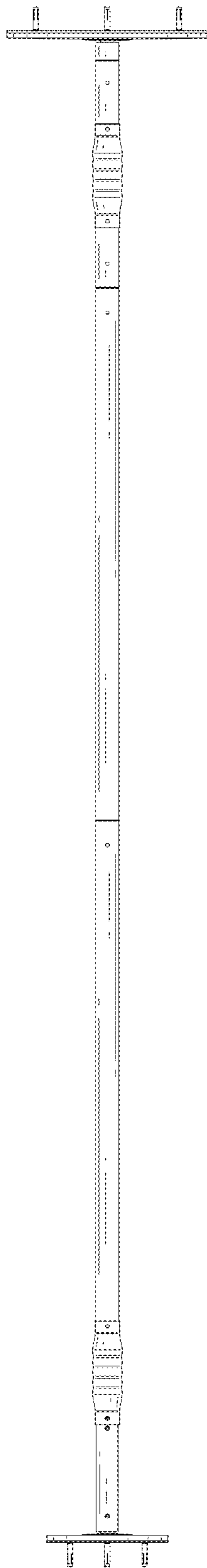


FIG. 6



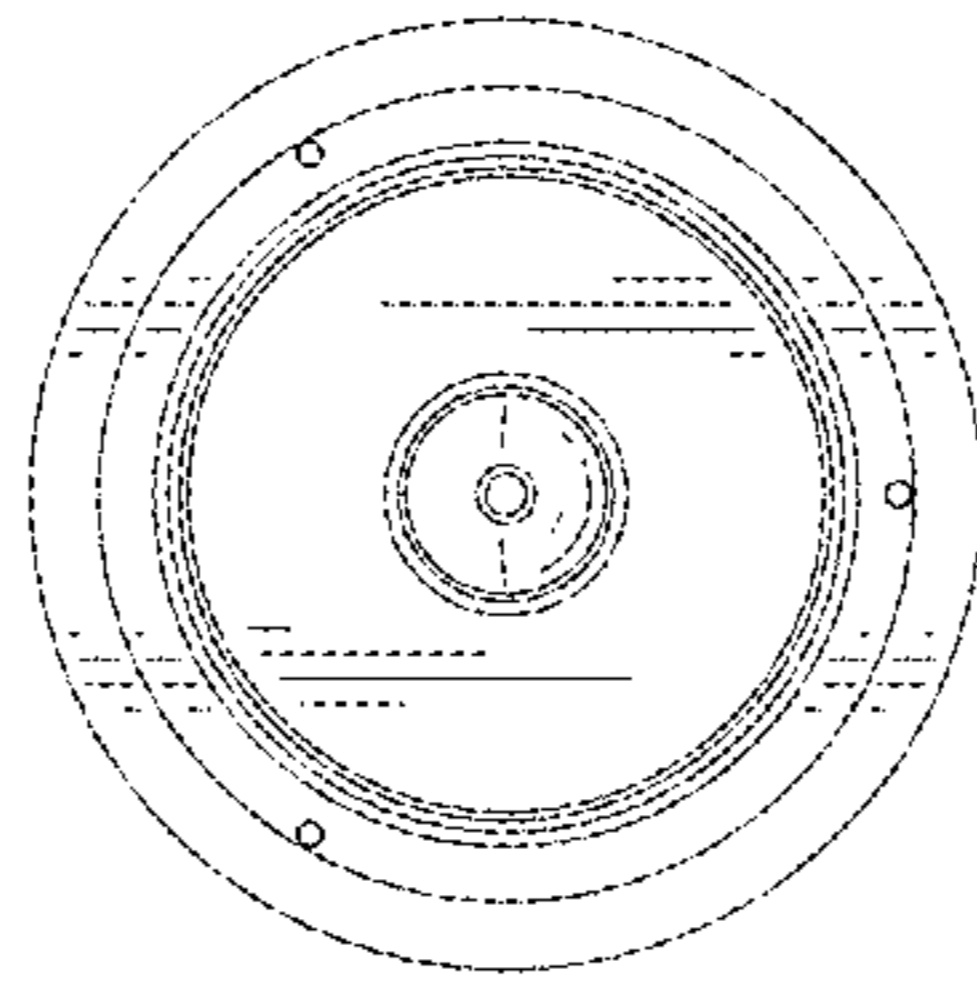


FIG. 7

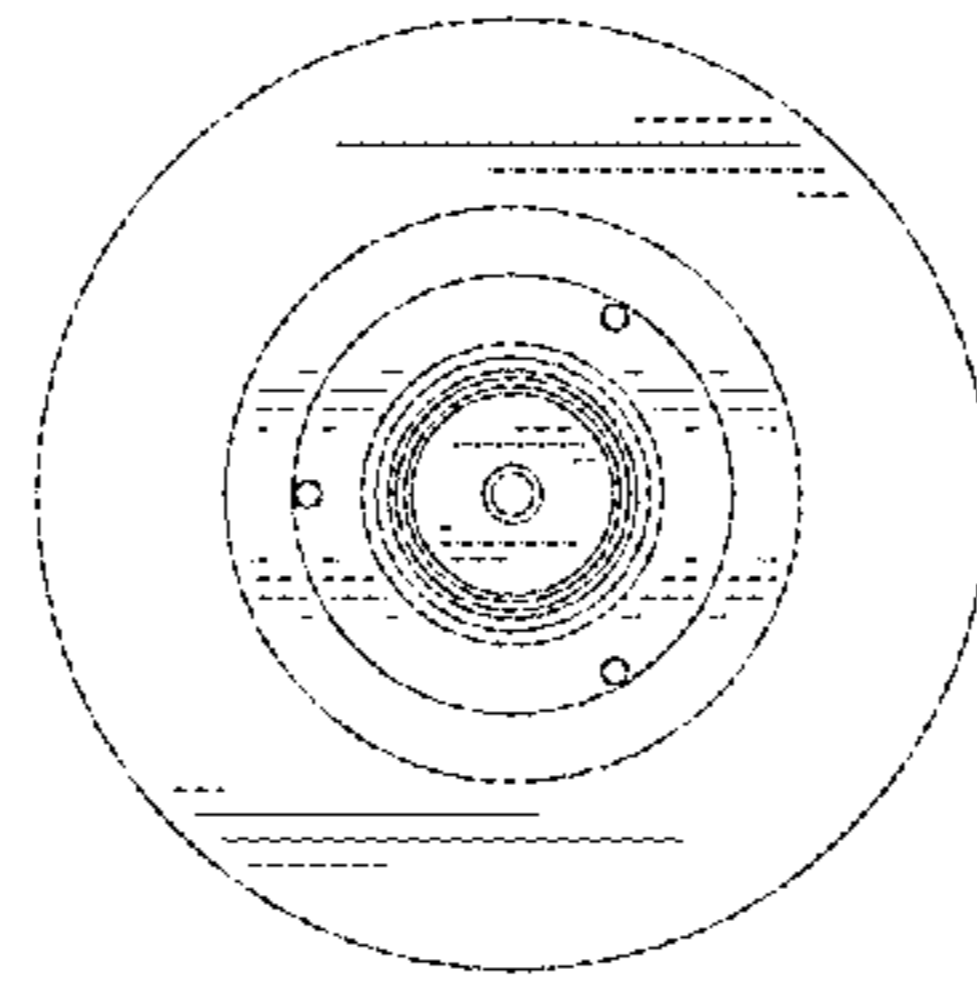


FIG. 8

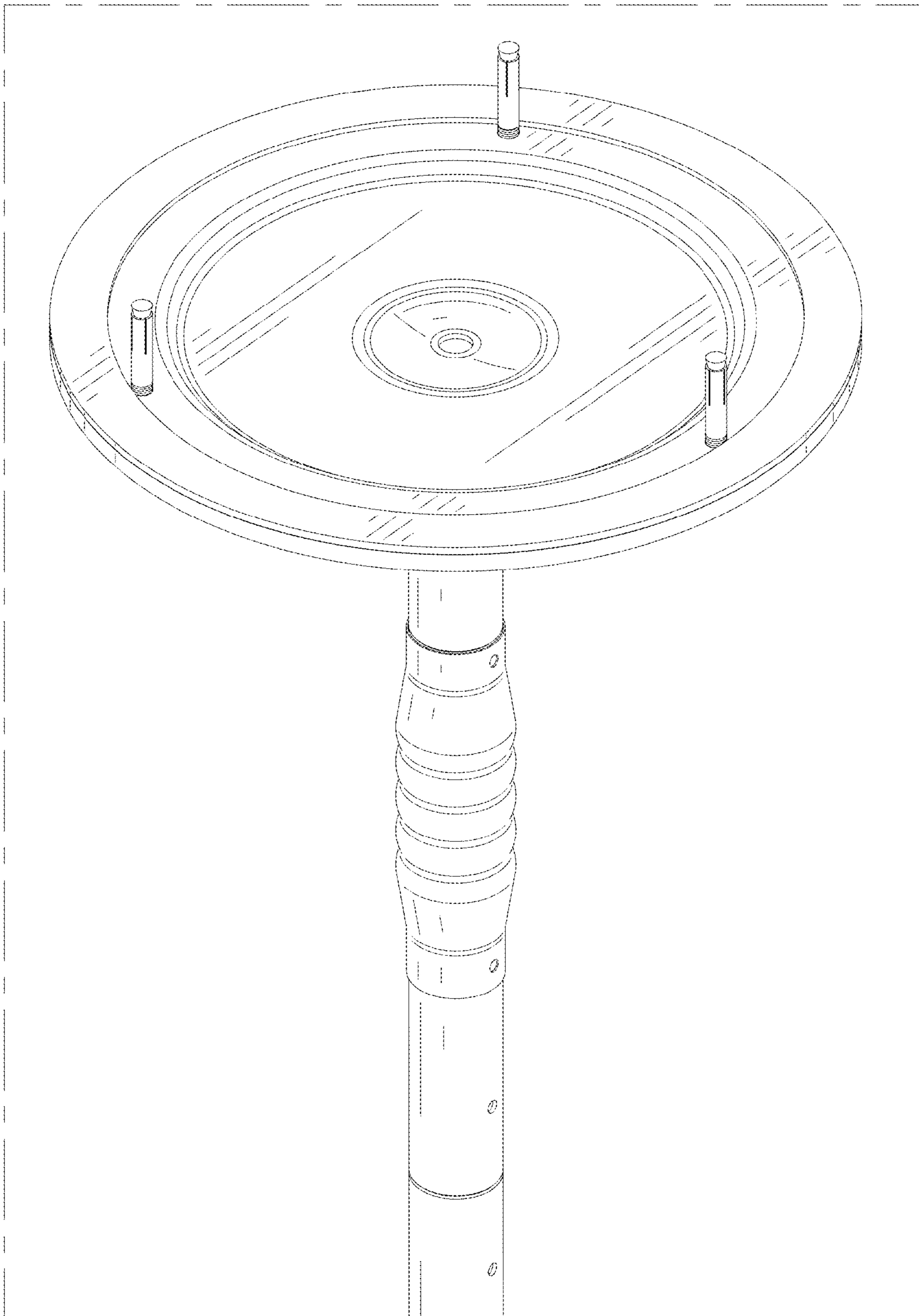


FIG. 9

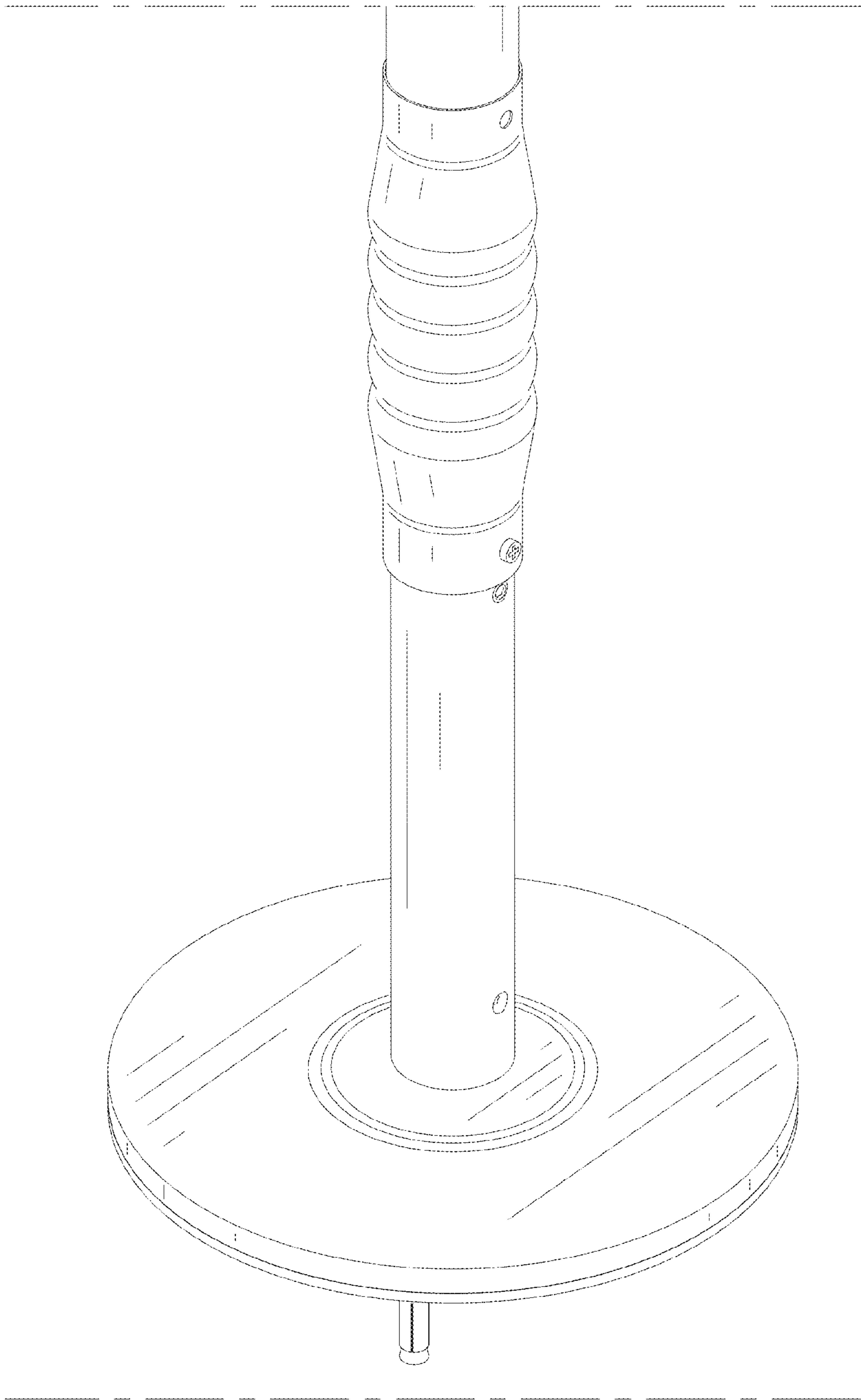


FIG. 10

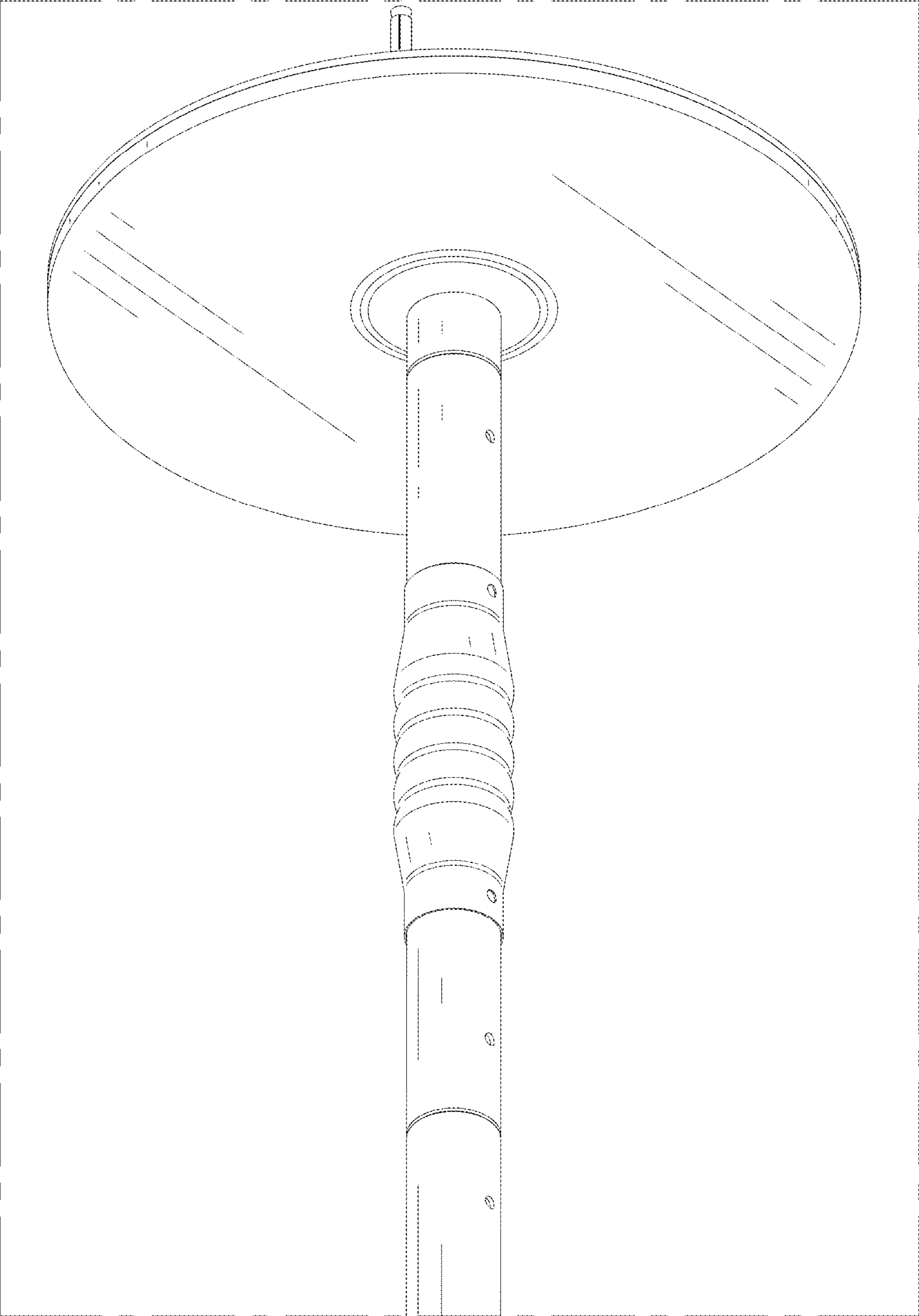


FIG. 11

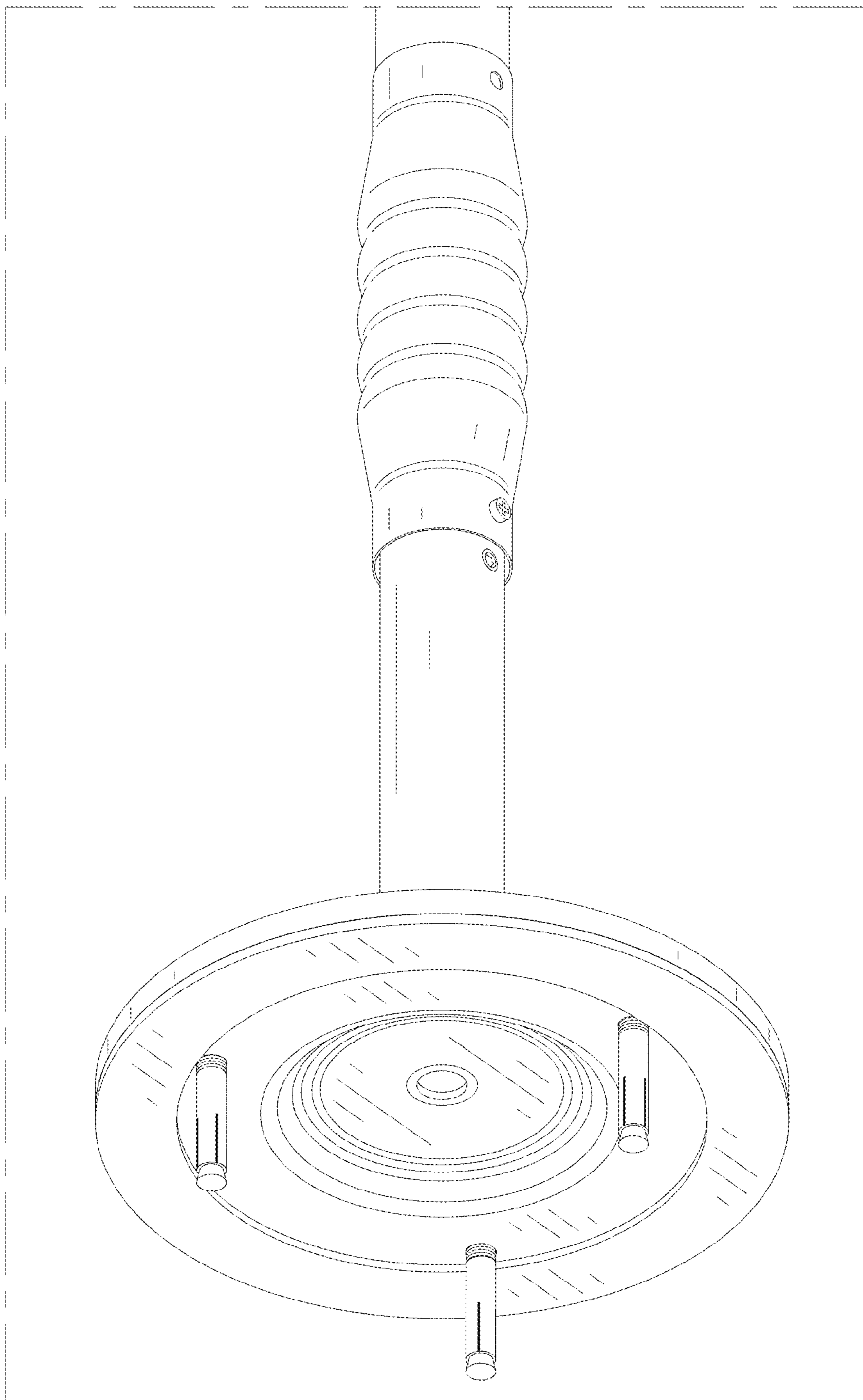


FIG. 12

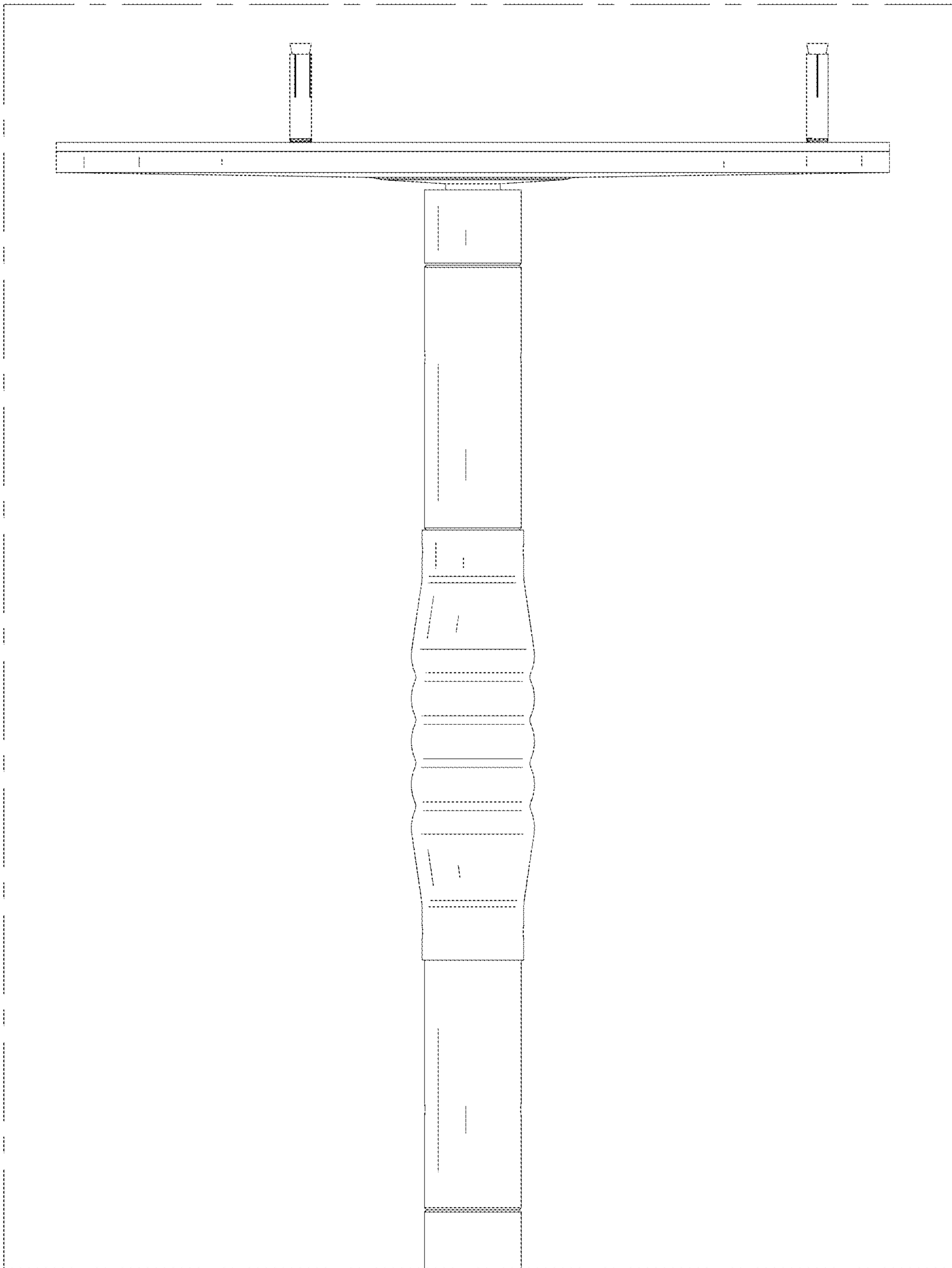


FIG. 13

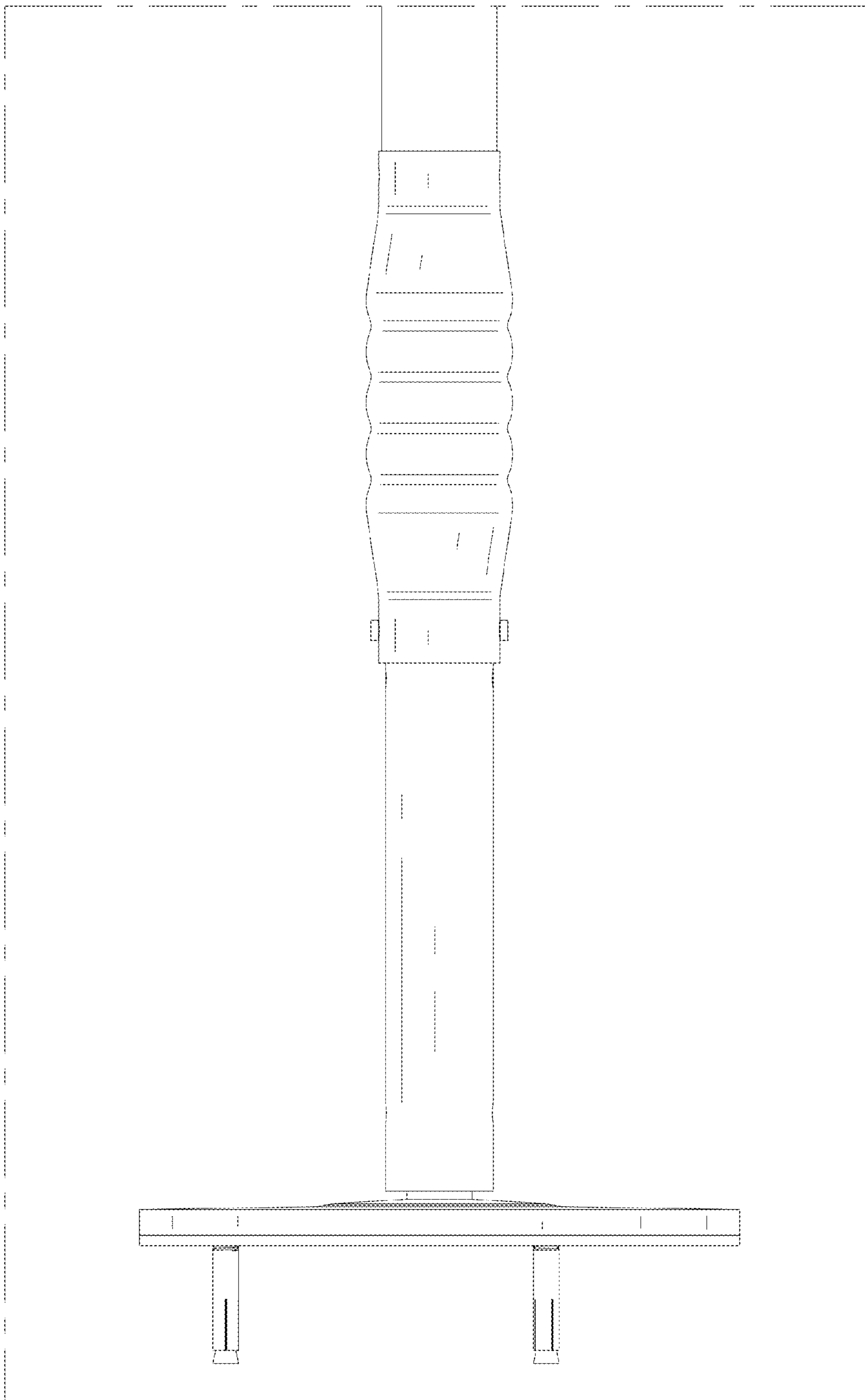


FIG. 14