



US00D943688S

(12) **United States Design Patent**
Lu et al.

(10) **Patent No.:** **US D943,688 S**

(45) **Date of Patent:** **** Feb. 15, 2022**

(54) **WEIGHT BENCH**

(71) Applicant: **Hangzhou Yue Fu Si Supply Chain Management Co., Ltd, Zhejiang (CN)**

(72) Inventors: **Zhiye Lu, Zhejiang (CN); Zhan Shi, Zhejiang (CN)**

(73) Assignee: **Hangzhou Yue Fu Si Supply Chain Management Co., Ltd, Zhejiang (CN)**

(**) Term: **15 Years**

(21) Appl. No.: **29/749,898**

(22) Filed: **Sep. 10, 2020**

(30) **Foreign Application Priority Data**

Sep. 2, 2020 (CN) 202030513963.8

(51) **LOC (13) Cl.** **21-01**

(52) **U.S. Cl.**
USPC **D21/686; D6/353**

(58) **Field of Classification Search**
USPC D21/686–691, 694–695; D6/349,
D6/353–355, 368
See application file for complete search history.

(56) **References Cited**

U.S. PATENT DOCUMENTS

D262,810 S *	1/1982	Lynn	D21/676
D314,026 S *	1/1991	Jennings	D21/676
D405,853 S	2/1999	Husted		
D406,290 S *	3/1999	McBride	D21/690
D425,153 S *	5/2000	Grider	D21/676
D438,578 S *	3/2001	Kuo	D21/676
D455,803 S *	4/2002	Webber	D21/686
D519,585 S *	4/2006	Webber	D21/676
D523,495 S *	6/2006	Carlucci	D21/690
D547,400 S *	7/2007	Rogers	D21/690

D678,963 S	3/2013	James		
D820,362 S *	6/2018	Citterio	D21/687
D886,919 S *	6/2020	Gagnon	D21/686

(Continued)

OTHER PUBLICATIONS

“IRIS Carbon Steel 7 in1 Sit up Durable Weight Preacher Armrest Curl Adjustable Bench” May 31, 2018, site visited Sep. 20, 2021: <https://www.amazon.in/IRIS-Durable-Preacher-Adjustable-150x40x60/dp/B07DGD4L19/> (Year: 2018).*

(Continued)

Primary Examiner — Michael C Stout

Assistant Examiner — Melvin L Davis

(74) *Attorney, Agent, or Firm* — ScienBiziP, P.C.

(57) **CLAIM**

The ornamental design for a weight bench, as shown and described.

DESCRIPTION

FIG. 1 is a front perspective view of a weight bench, showing our design.

FIG. 2 is a rear perspective view thereof.

FIG. 3 is a front elevation view thereof.

FIG. 4 is a rear elevation view thereof.

FIG. 5 is a left side elevation view thereof.

FIG. 6 is a right side elevation view thereof.

FIG. 7 is a top plan view thereof.

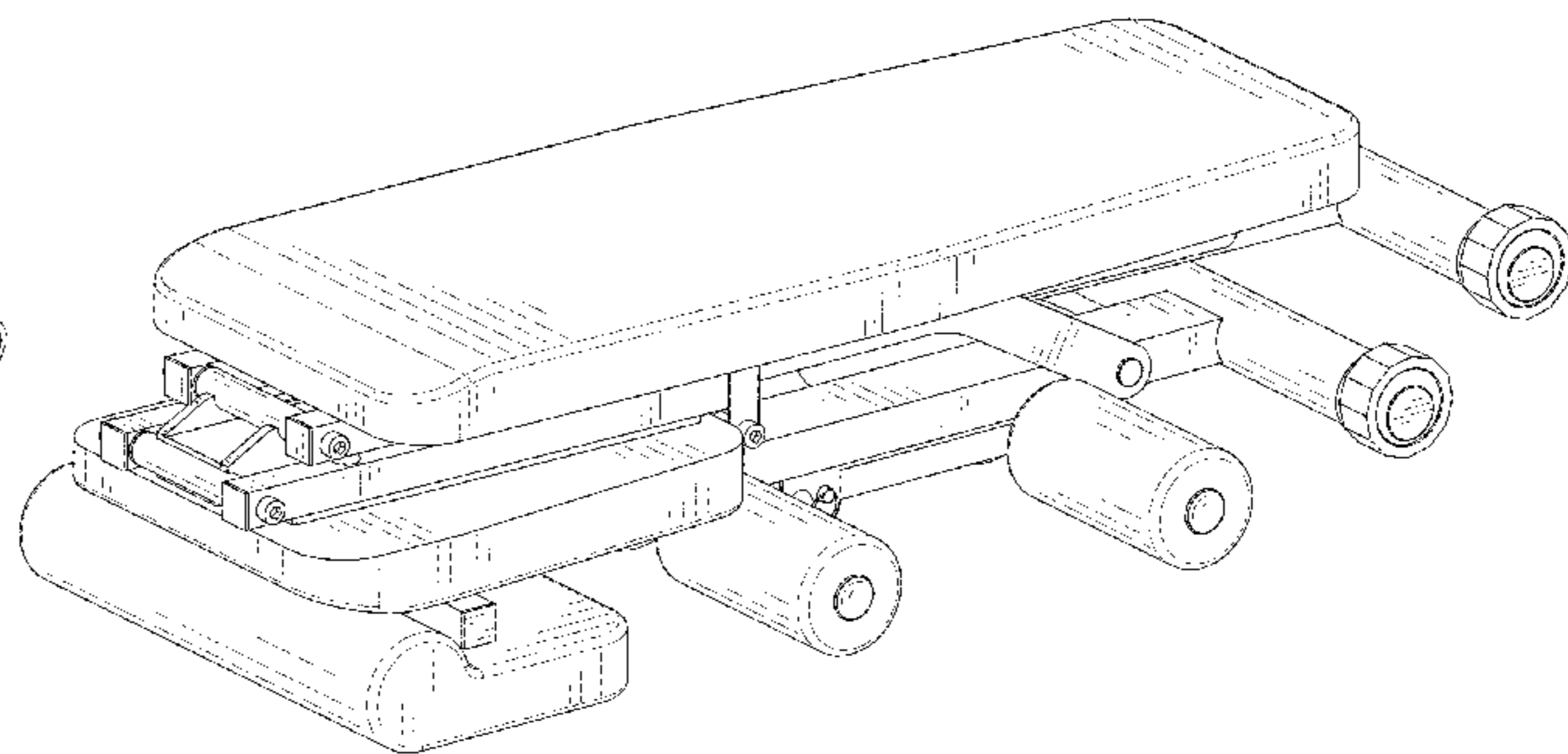
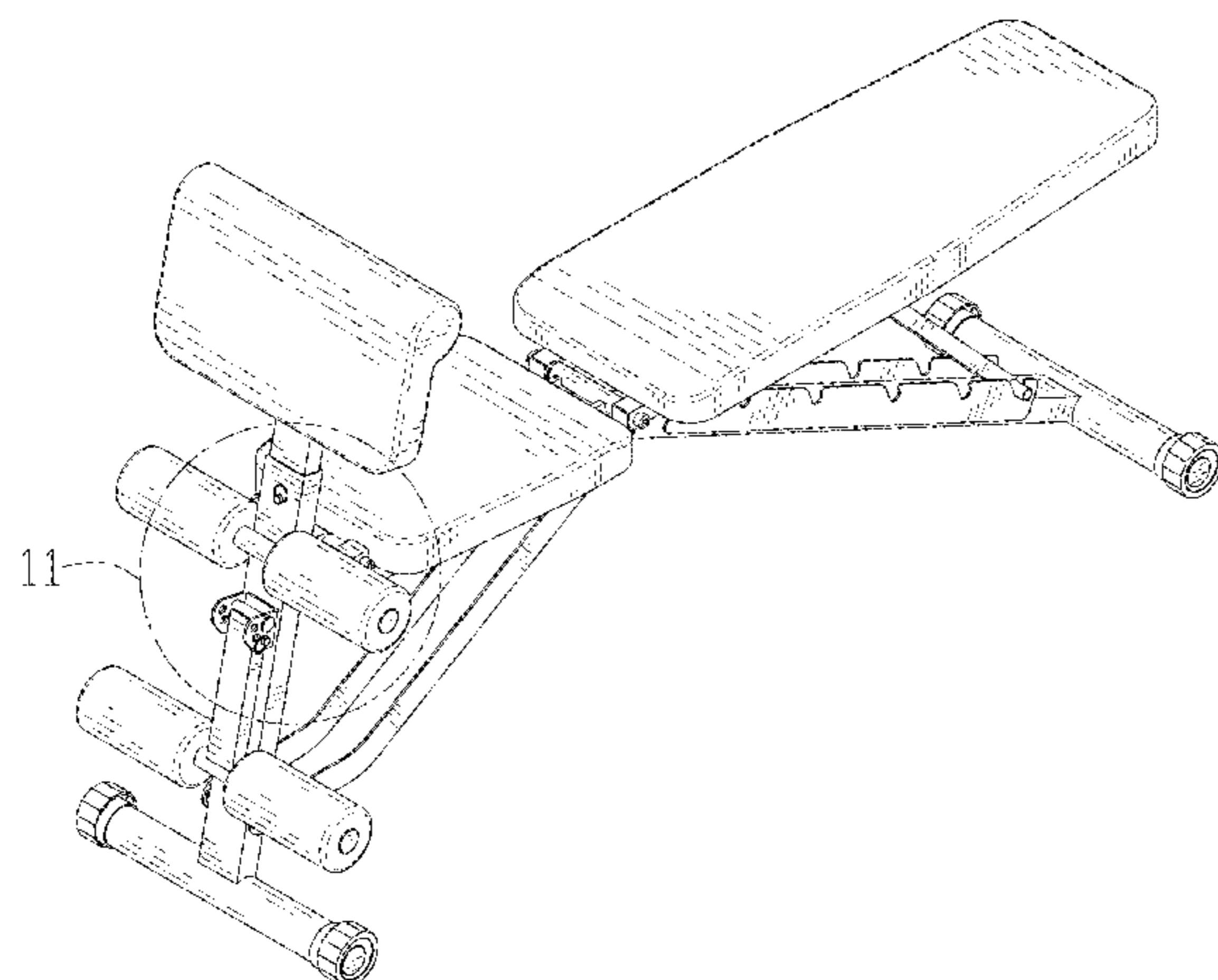
FIG. 8 is a bottom plan view thereof.

FIG. 9 is a perspective view of the weight bench of FIG. 1 wherein a bench is up forward.

FIG. 10 is a perspective view of the weight bench folded up; and,

FIG. 11 is an enlarged view of an area labeled 11 in FIG. 1. The dot-dash boundary line demarcates an enlargement of a portion in FIGS. 1 and 11 that form no part of the claimed design.

1 Claim, 11 Drawing Sheets



(56)

References Cited

U.S. PATENT DOCUMENTS

D907,144 S * 1/2021 Zhao D21/690
2003/0232707 A1 * 12/2003 Dalebout A63B 21/026
482/123

OTHER PUBLICATIONS

“Kobo EB-1012 Steel Adjustable Dumbbell Bench with Preacher Curl for Home Gym Imported” Aug. 27, 2019, site visited Sep. 20, 2021: <https://www.amazon.in/Kobo-EB-1012-Adjustable-Dumbbell-Preacher/dp/B07X3XX3DV> (Year: 2019).*

* cited by examiner

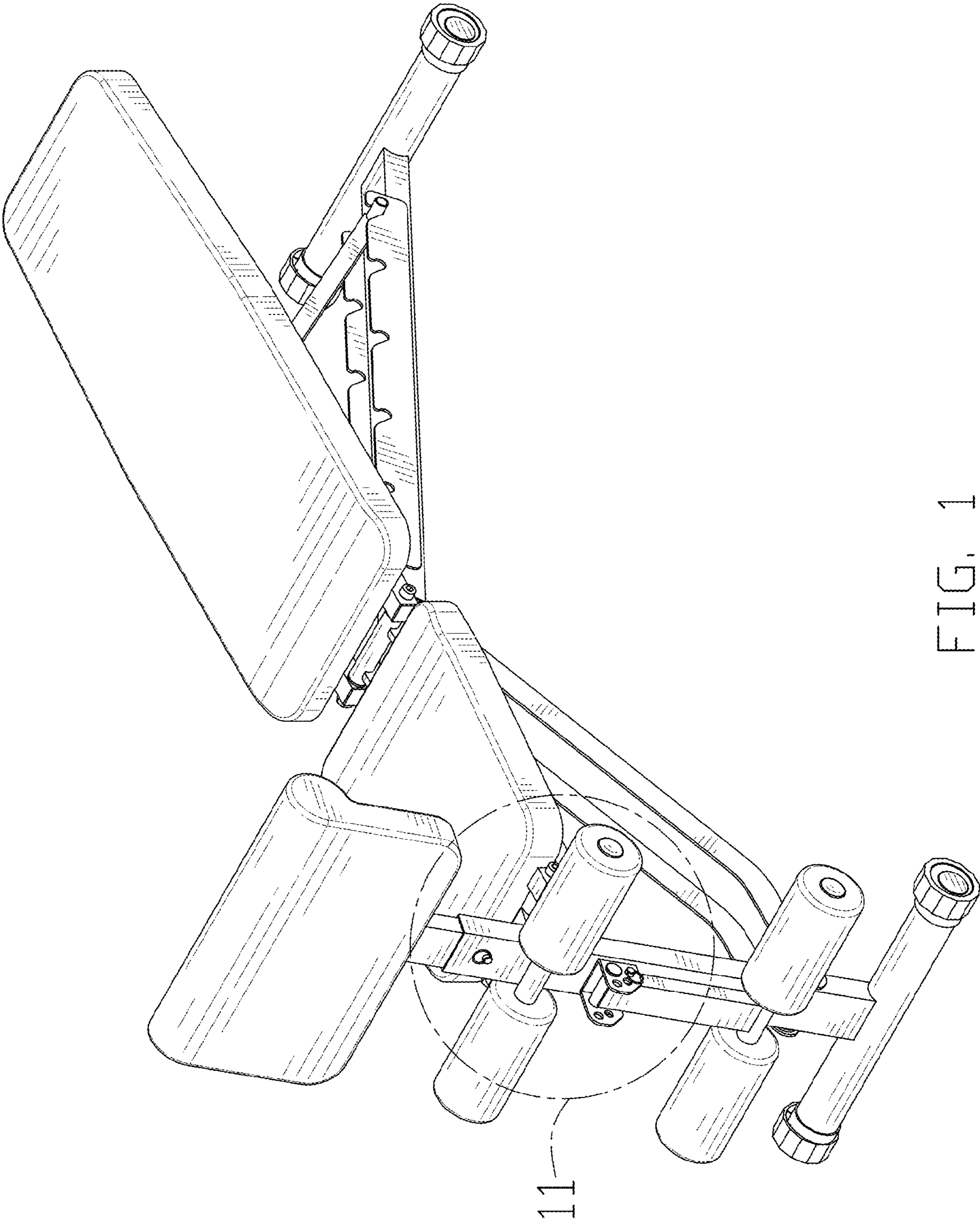


FIG. 1

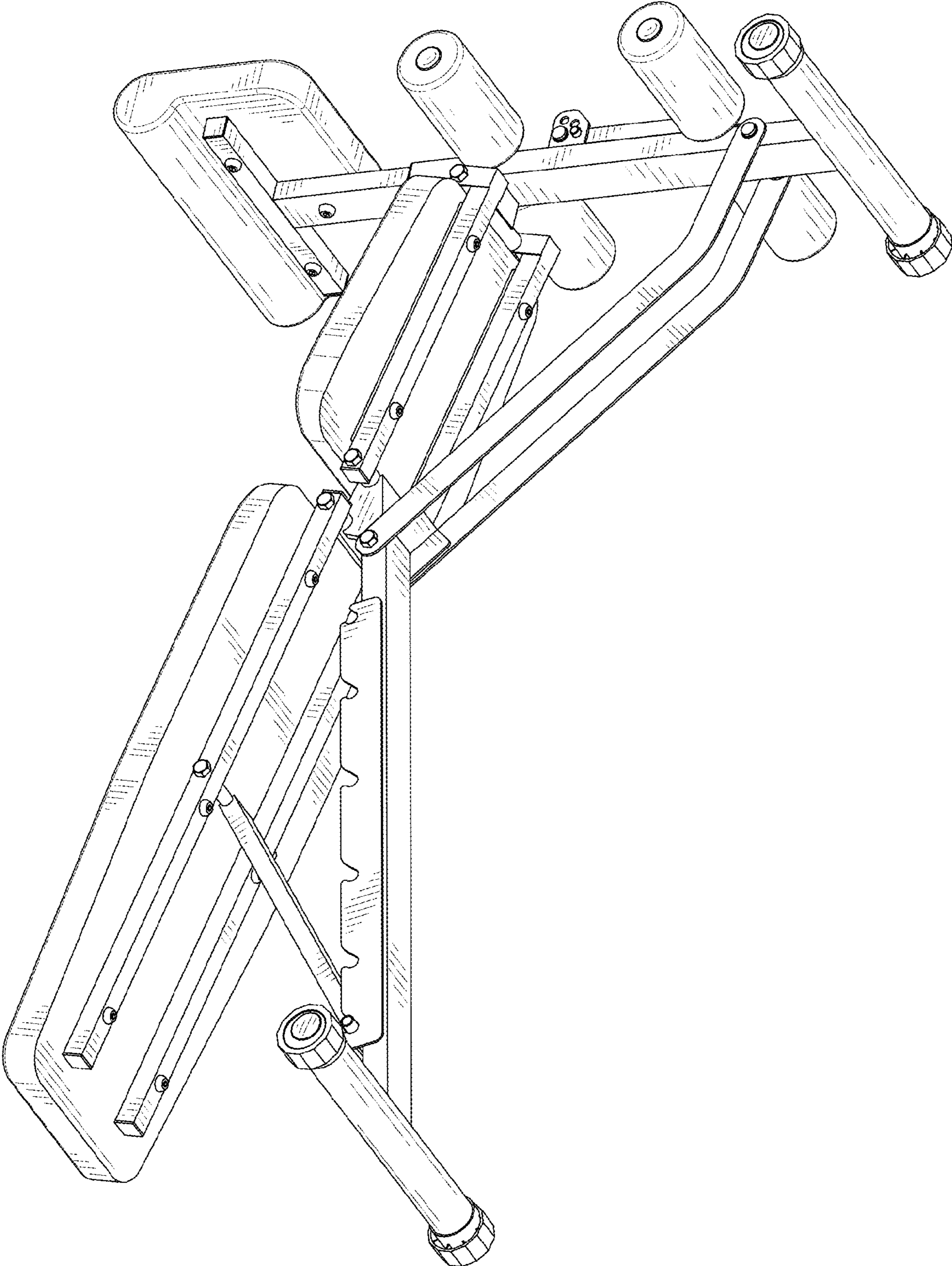


FIG. 2

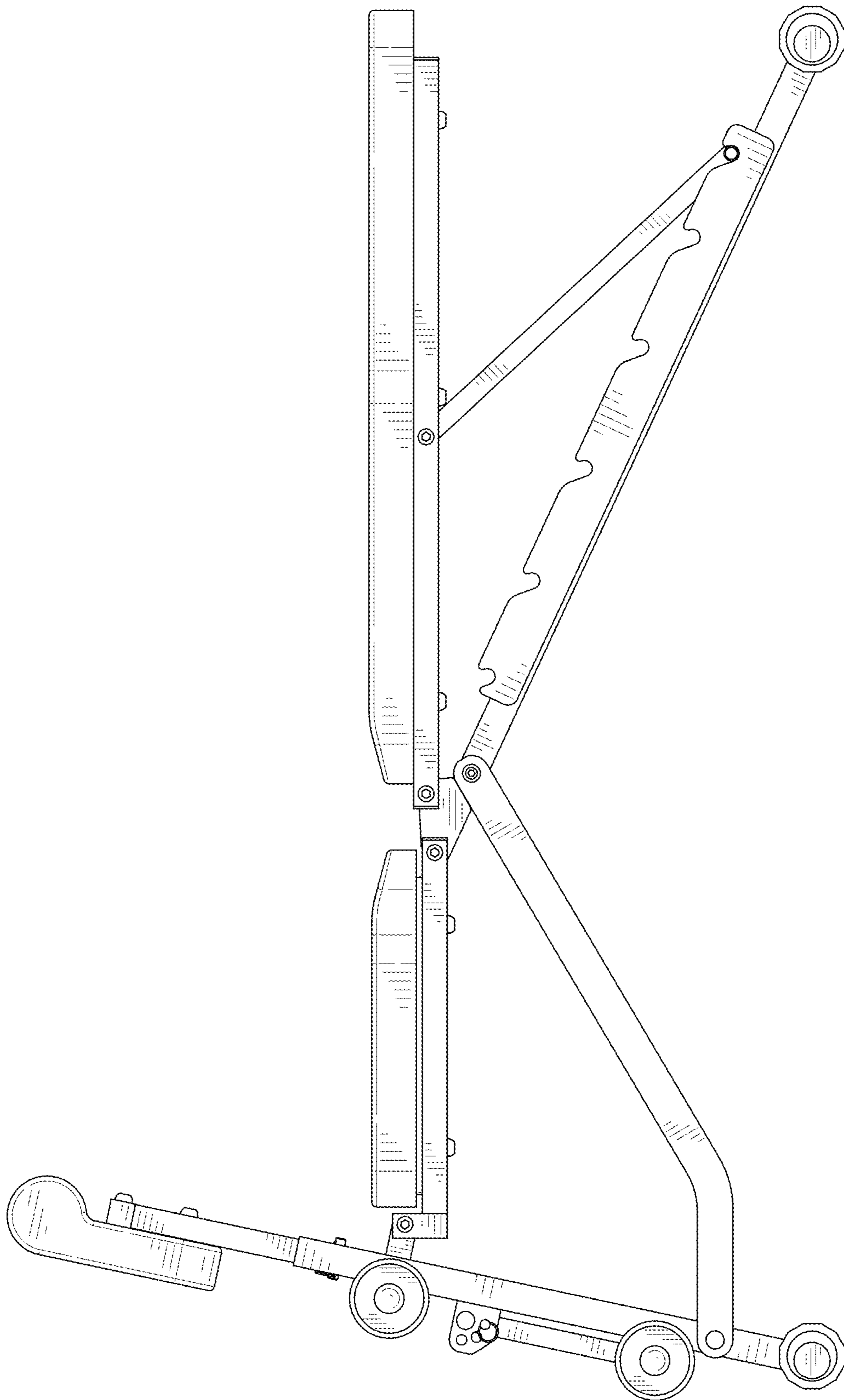


FIG. 3

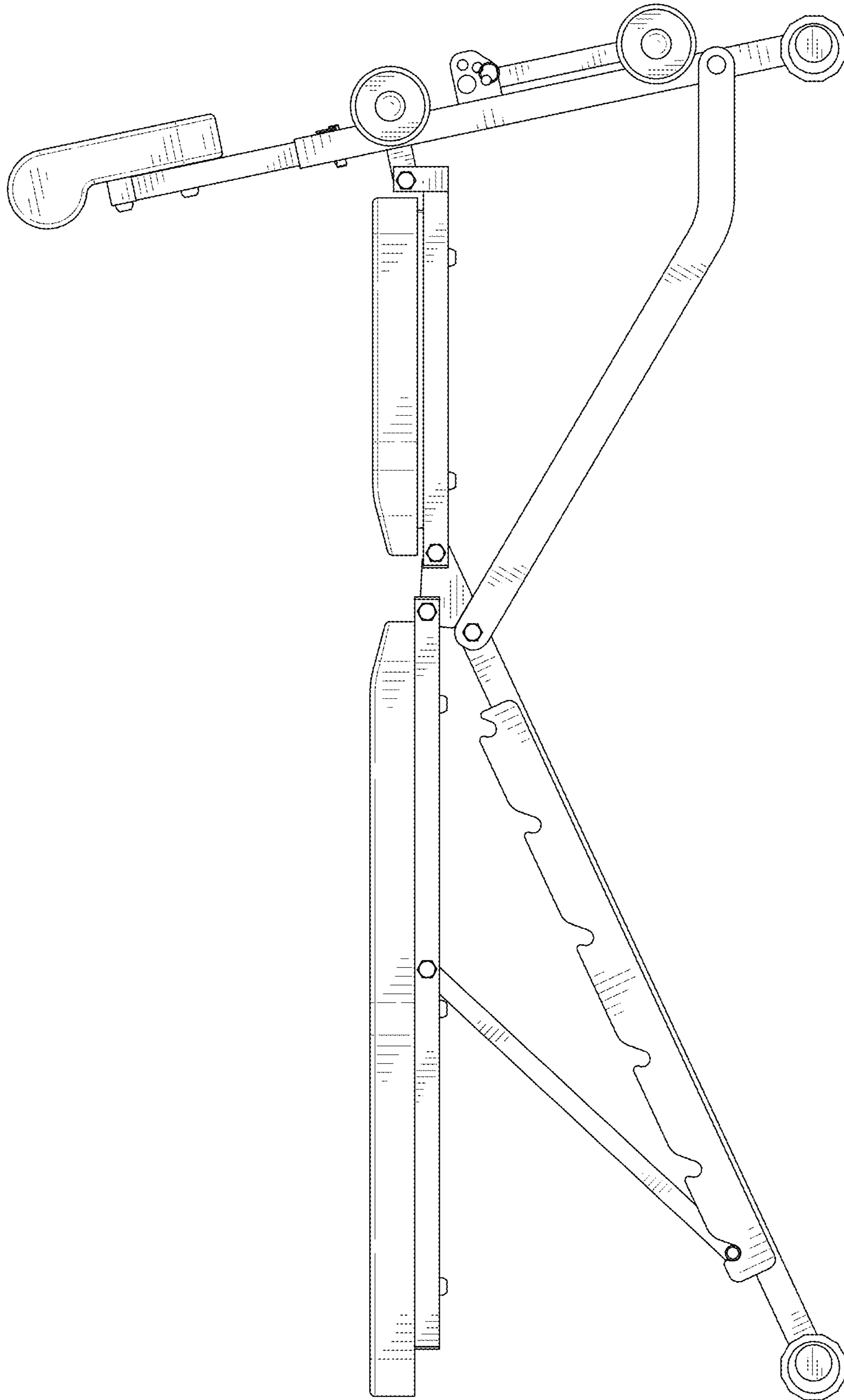


FIG. 4

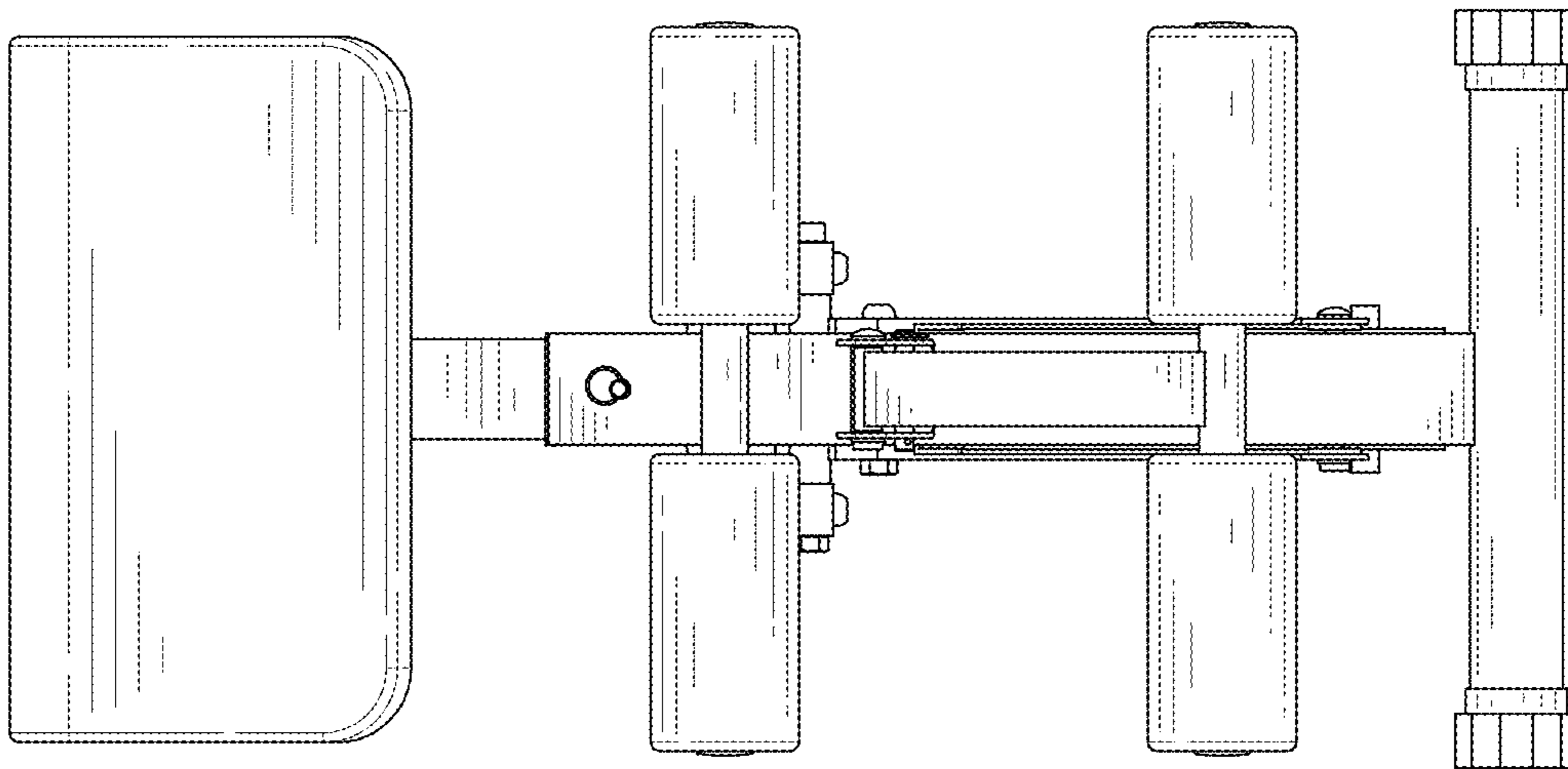


FIG. 5

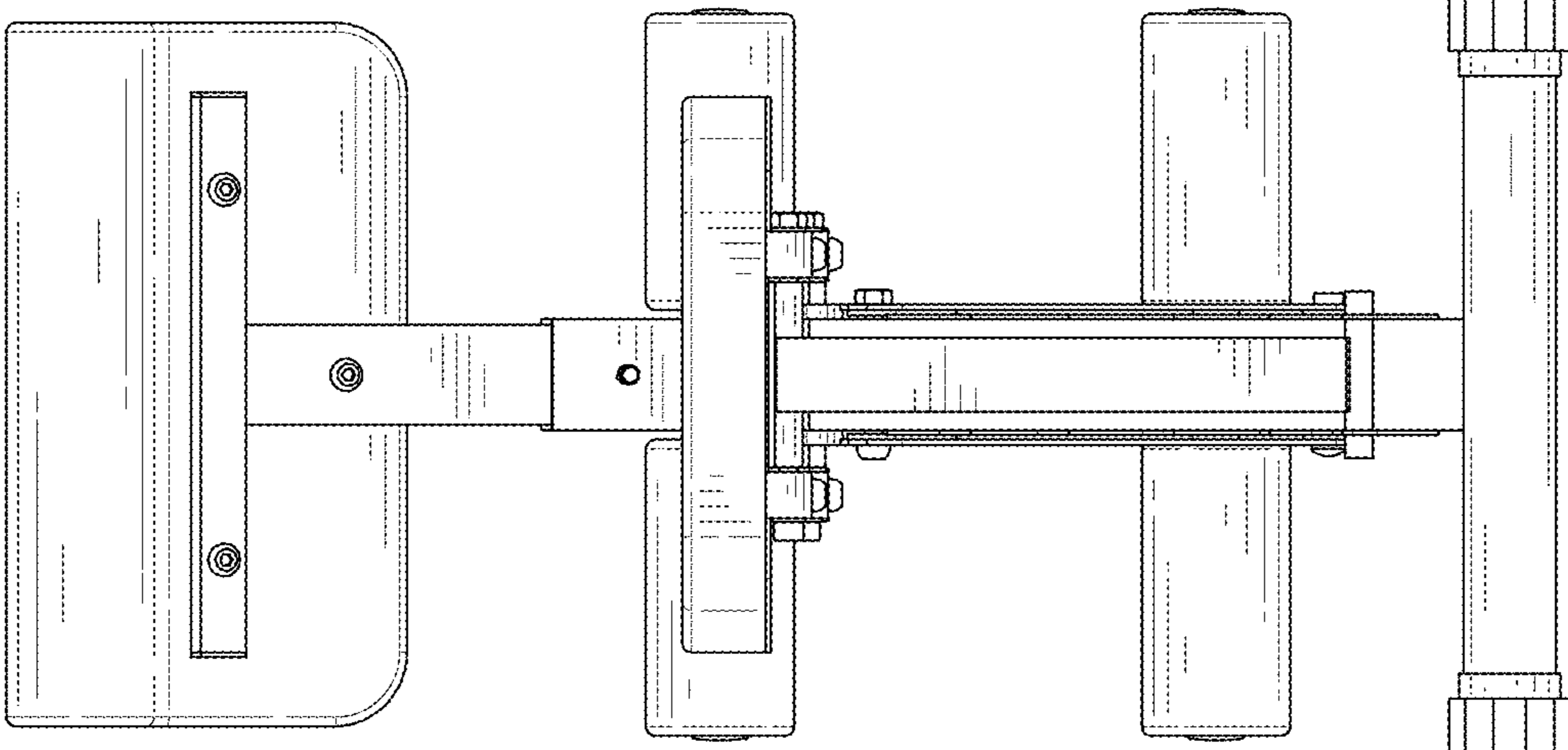


FIG. 6

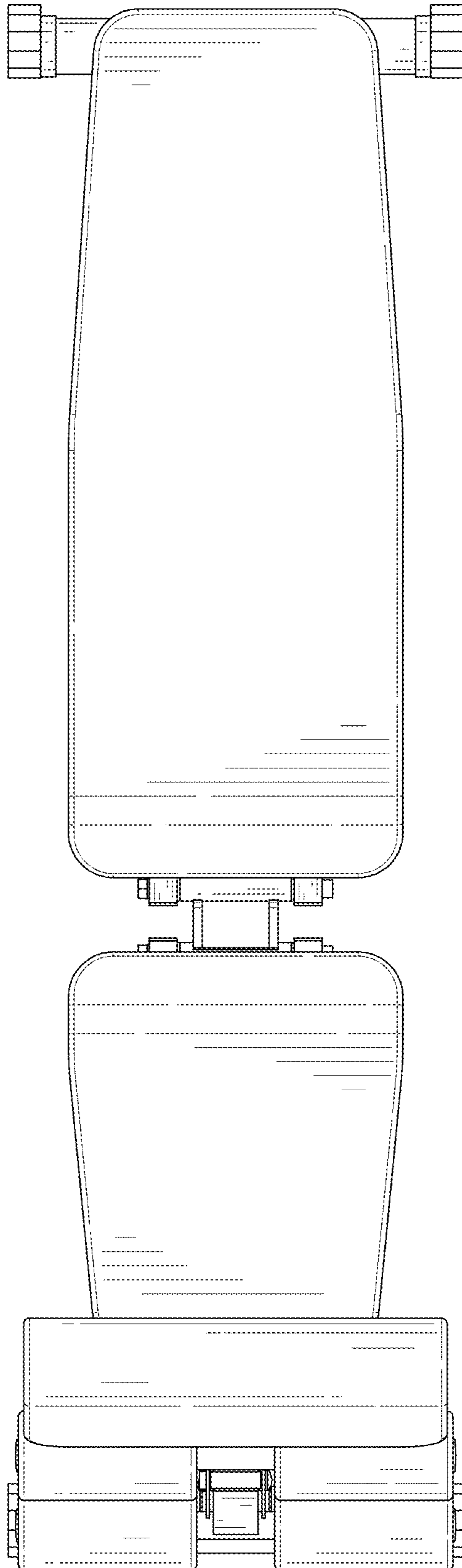


FIG. 7

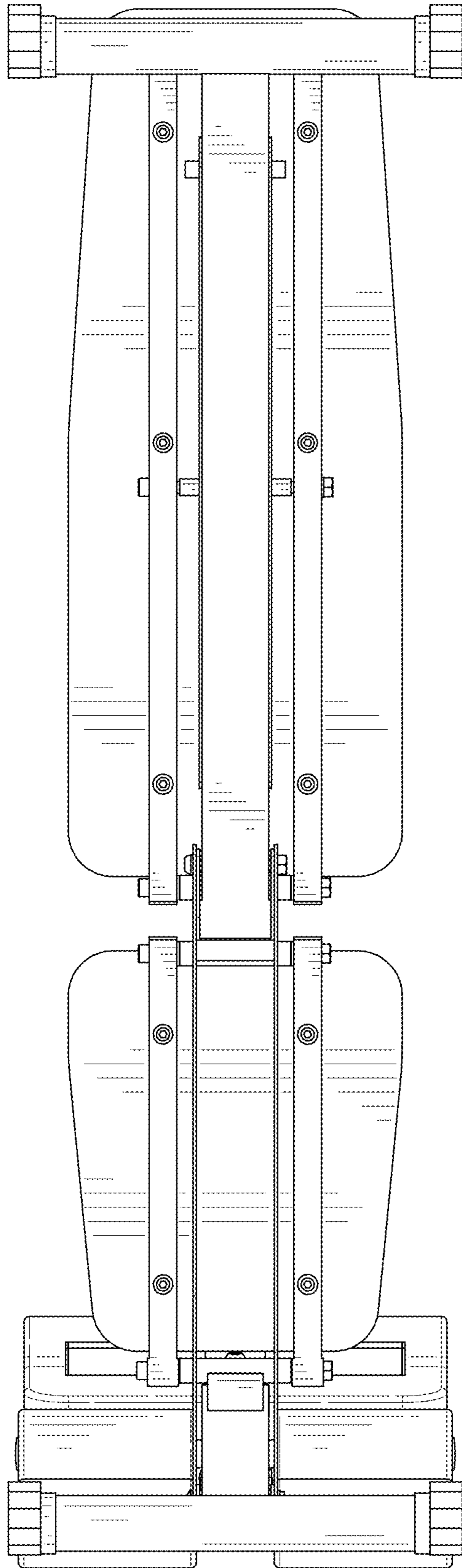


FIG. 8

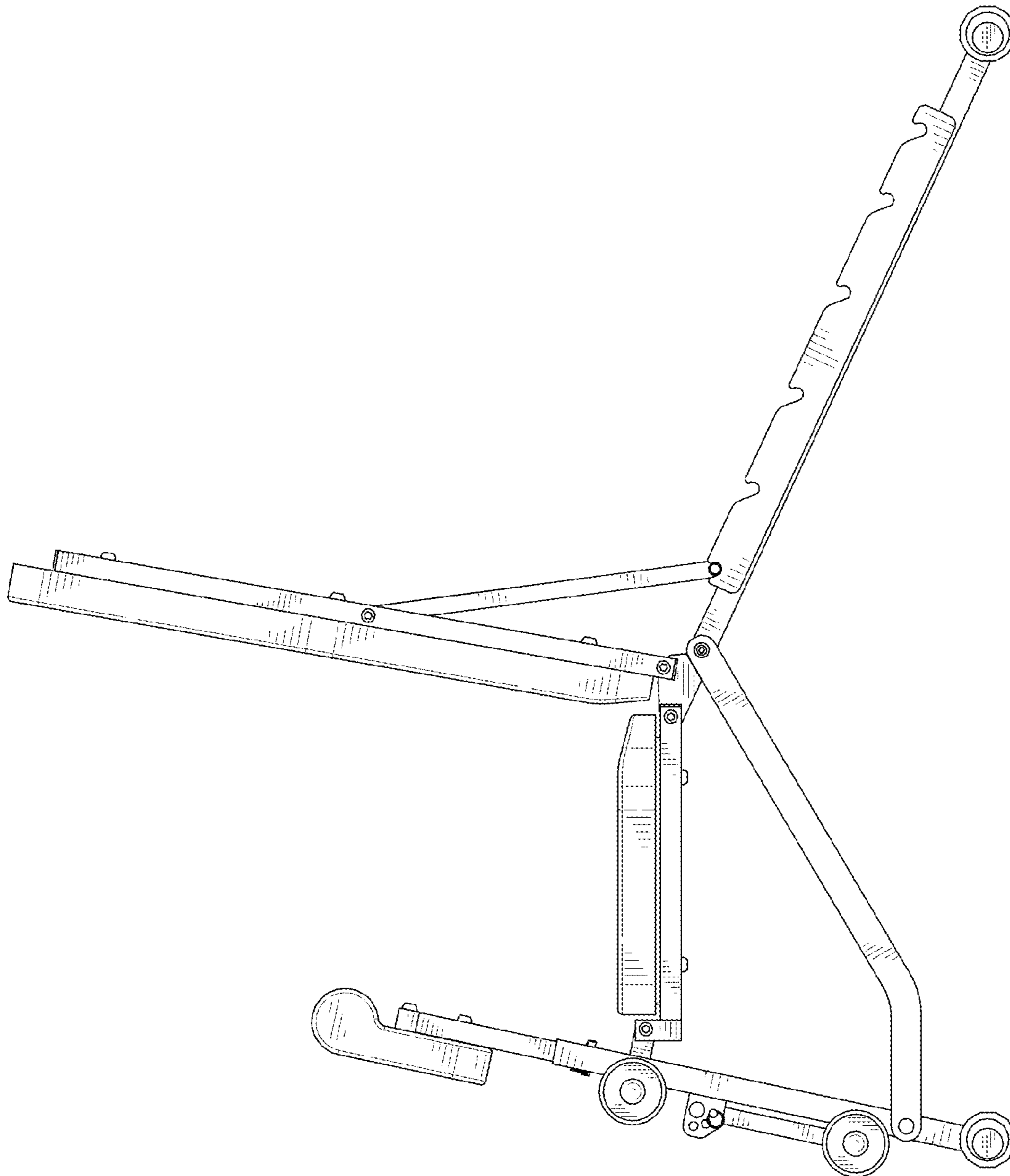


FIG. 9

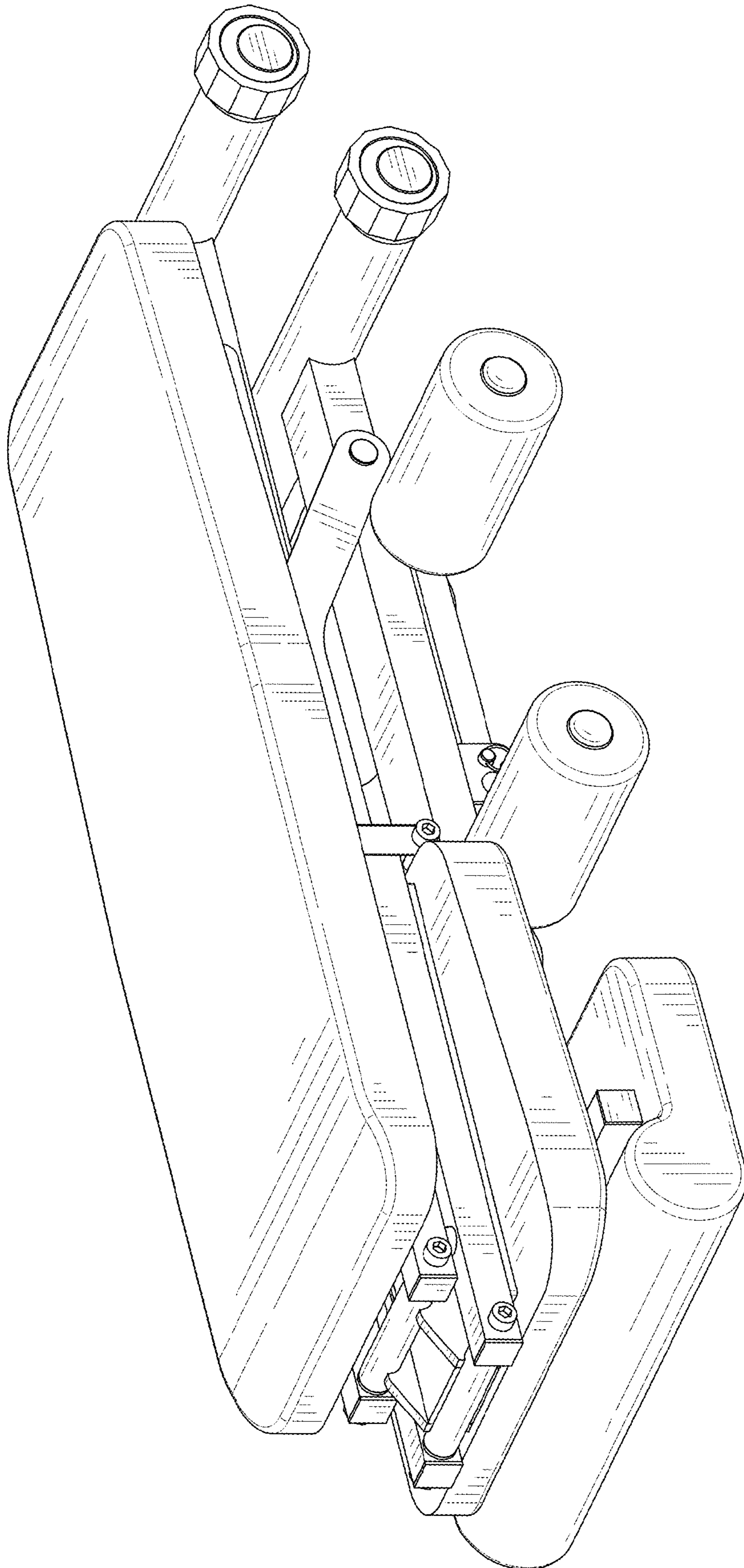


FIG. 10

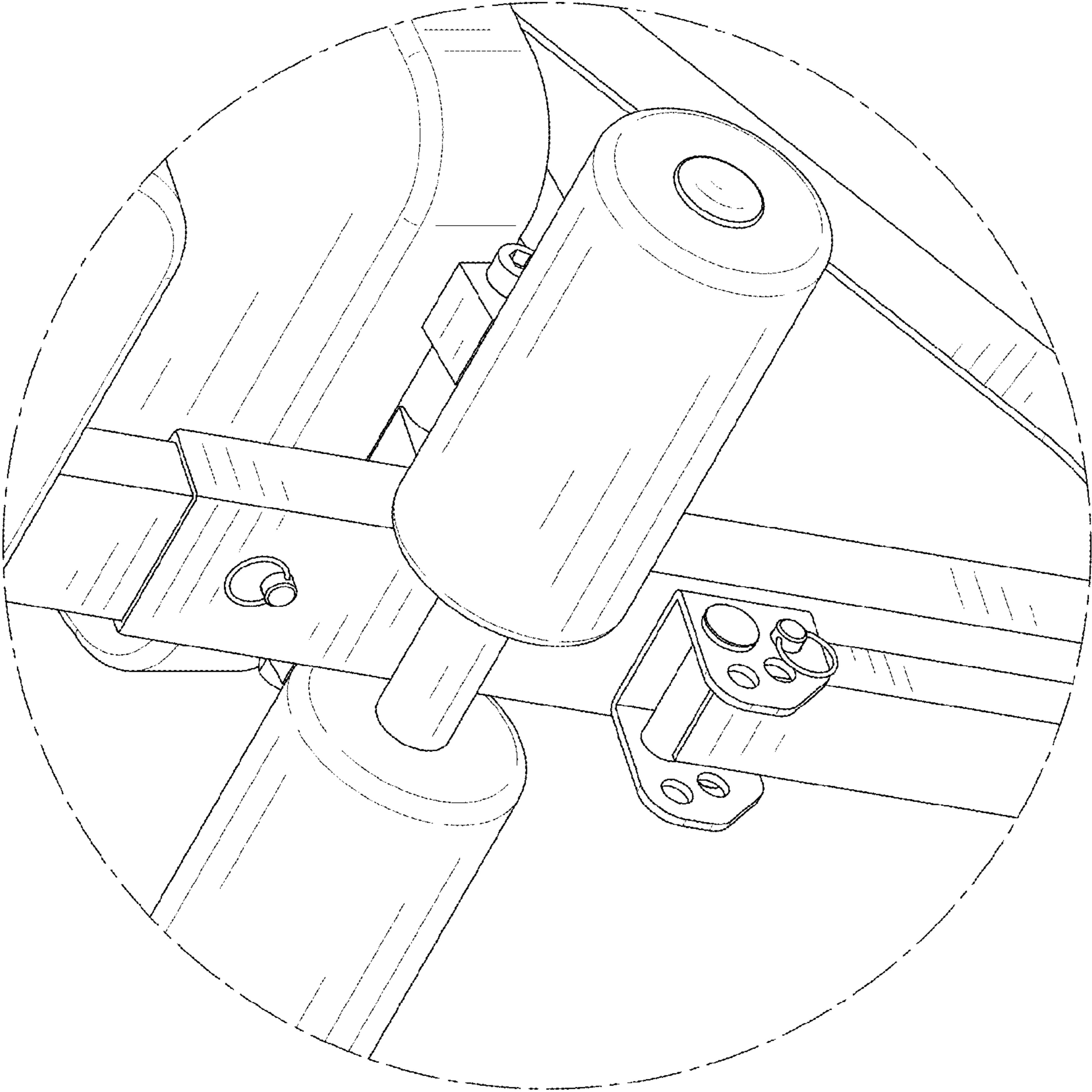


FIG. 11