



US00D943685S

(12) **United States Design Patent**
Chen

(10) **Patent No.:** **US D943,685 S**

(45) **Date of Patent:** **** Feb. 15, 2022**

(54) **ROBOT TOY**

(71) Applicant: **Bo Chen**, Guangdong (CN)

(72) Inventor: **Bo Chen**, Guangdong (CN)

(73) Assignee: **Shantou P&C Plastic Products Company Limited**, Shantou (CN)

(**) Term: **15 Years**

(21) Appl. No.: **29/753,208**

(22) Filed: **Sep. 30, 2020**

(51) **LOC (13) Cl.** **21-02**

(52) **U.S. Cl.**
USPC **D21/578**

(58) **Field of Classification Search**
USPC D21/578–583, 621–622
CPC B25J 9/0006; B25J 9/0009; B25J 9/0003;
B25J 9/00

See application file for complete search history.

(56) **References Cited**

U.S. PATENT DOCUMENTS

D233,238 S	*	10/1974	Reid	D19/62
D342,981 S	*	1/1994	D’Andrade	D21/578
D353,856 S	*	12/1994	Ryaa	D21/621
D389,203 S	*	1/1998	Glickman	D21/578
D410,476 S	*	6/1999	Gomi	D15/199
D420,064 S	*	2/2000	Poirier	D21/578
D442,649 S	*	5/2001	Galvan	D21/621
D453,199 S	*	1/2002	Sawai	D21/578

D460,131 S	*	7/2002	Koshiishi	D21/578
D460,503 S	*	7/2002	Koshiishi	D21/578
D677,743 S	*	3/2013	Koshiishi	D15/199
D687,908 S	*	8/2013	Hoang	D15/199
D868,866 S	*	12/2019	Gable	D15/199

OTHER PUBLICATIONS

B/O Walking Robot—DHTBF10385: Published Jan. 12, 2021[online], site visited Dec. 10, 2021. Available from Internet URL: <https://youtu.be/j0B2QPWFuFM>(Year: 2021).*

* cited by examiner

Primary Examiner — Michael C Stout

Assistant Examiner — Melvin L Davis

(74) *Attorney, Agent, or Firm* — Minder Law Group; Willy H. Wong

(57) **CLAIM**

The ornamental design for a robot toy, as shown and described.

DESCRIPTION

FIG. 1 is a front view of a robot toy in accordance with the present invention.

FIG. 2 is a rear view thereof.

FIG. 3 is a left side view thereof.

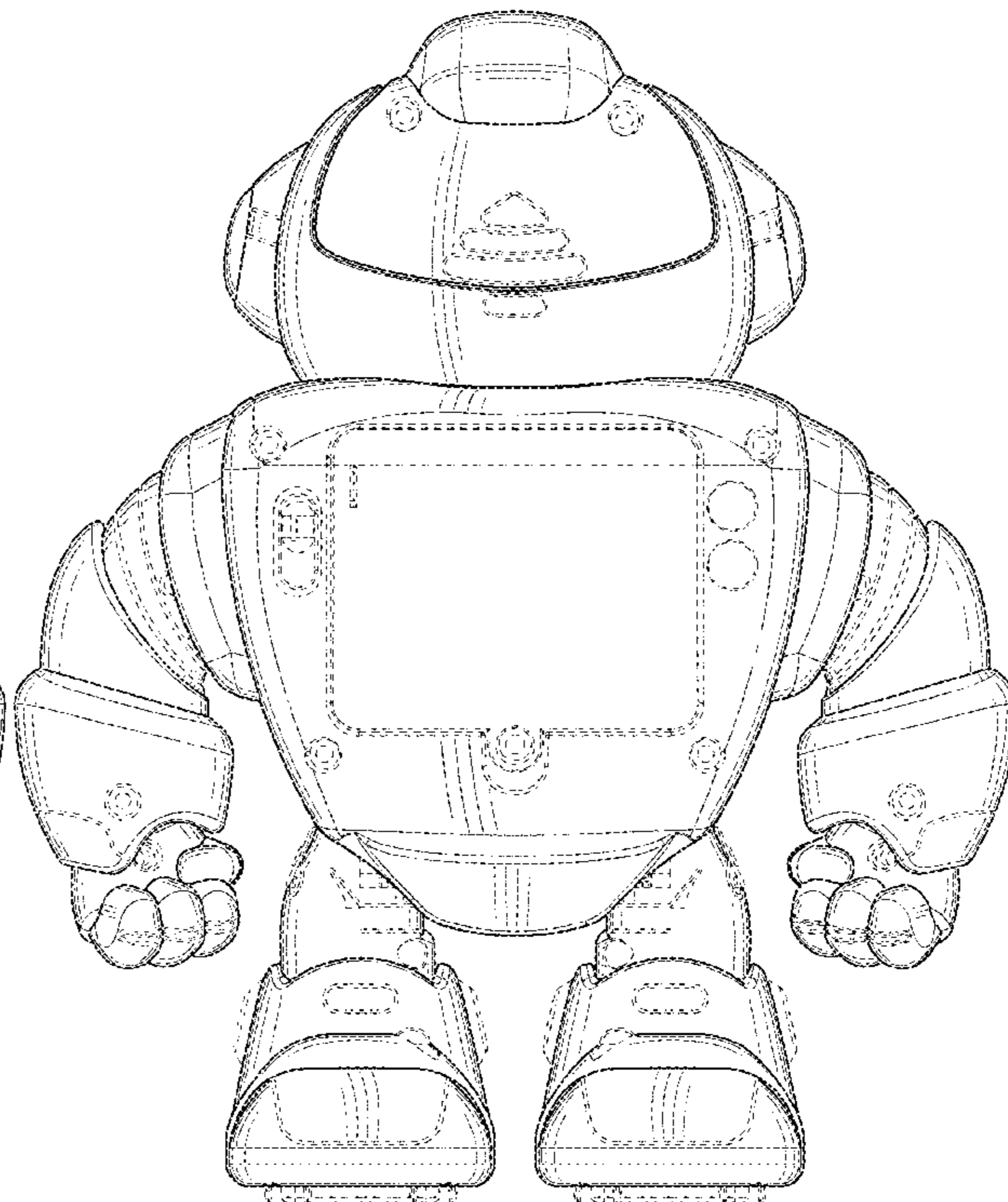
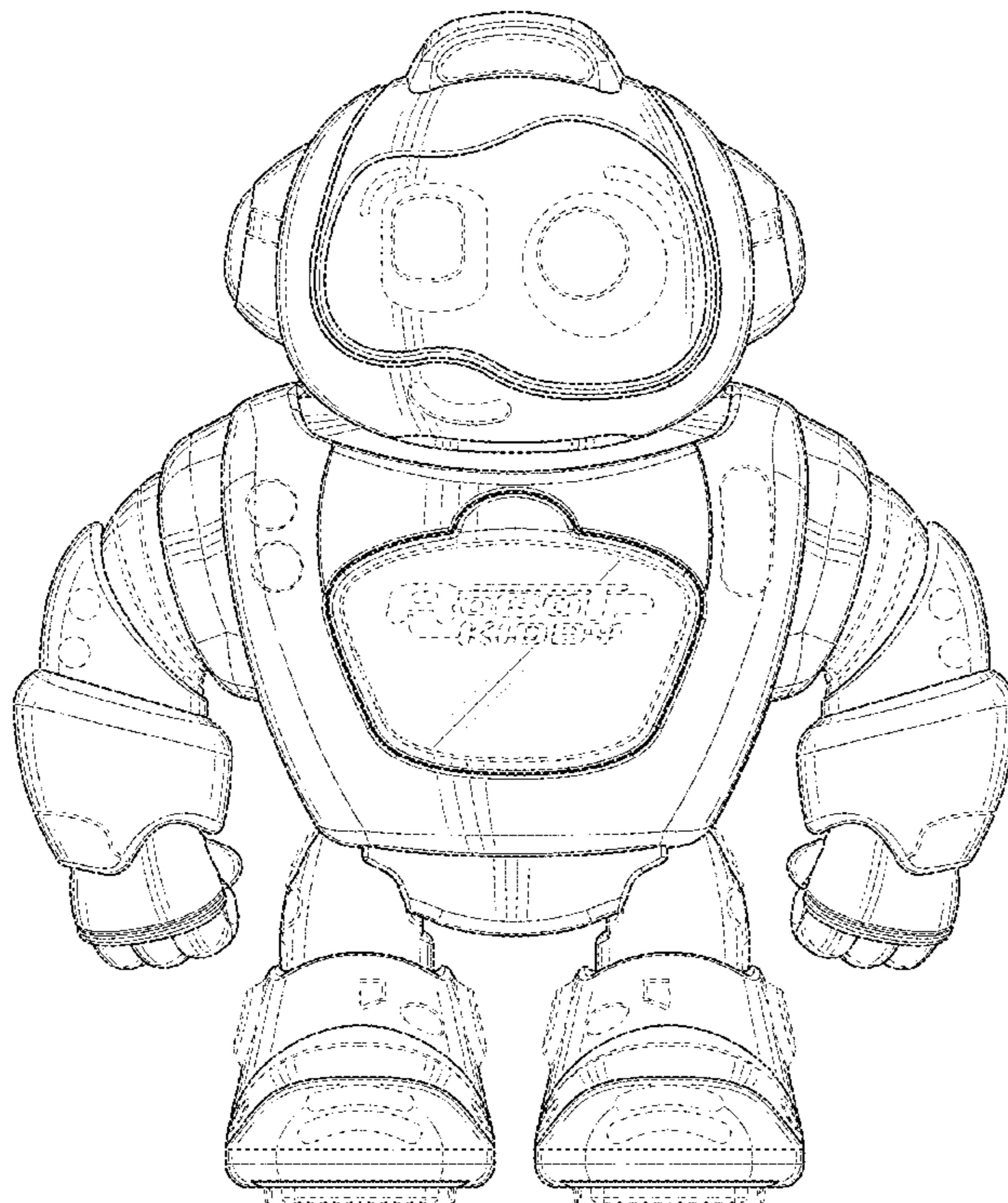
FIG. 4 is a right side view thereof.

FIG. 5 is a top view thereof; and,

FIG. 6 is a bottom view thereof.

The broken lines show portions of the robot toy that form no part of the claimed design.

1 Claim, 6 Drawing Sheets



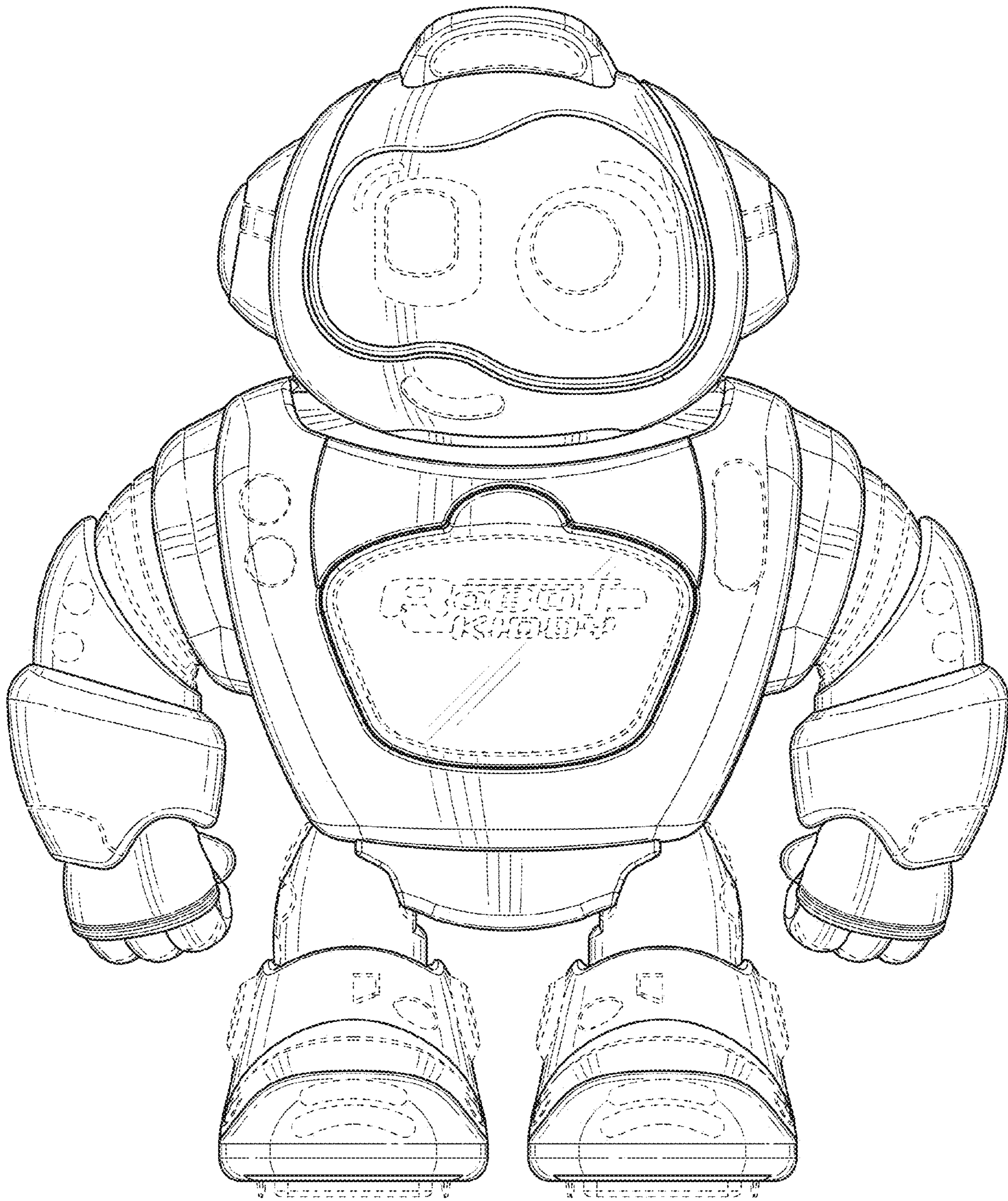


FIG. 1

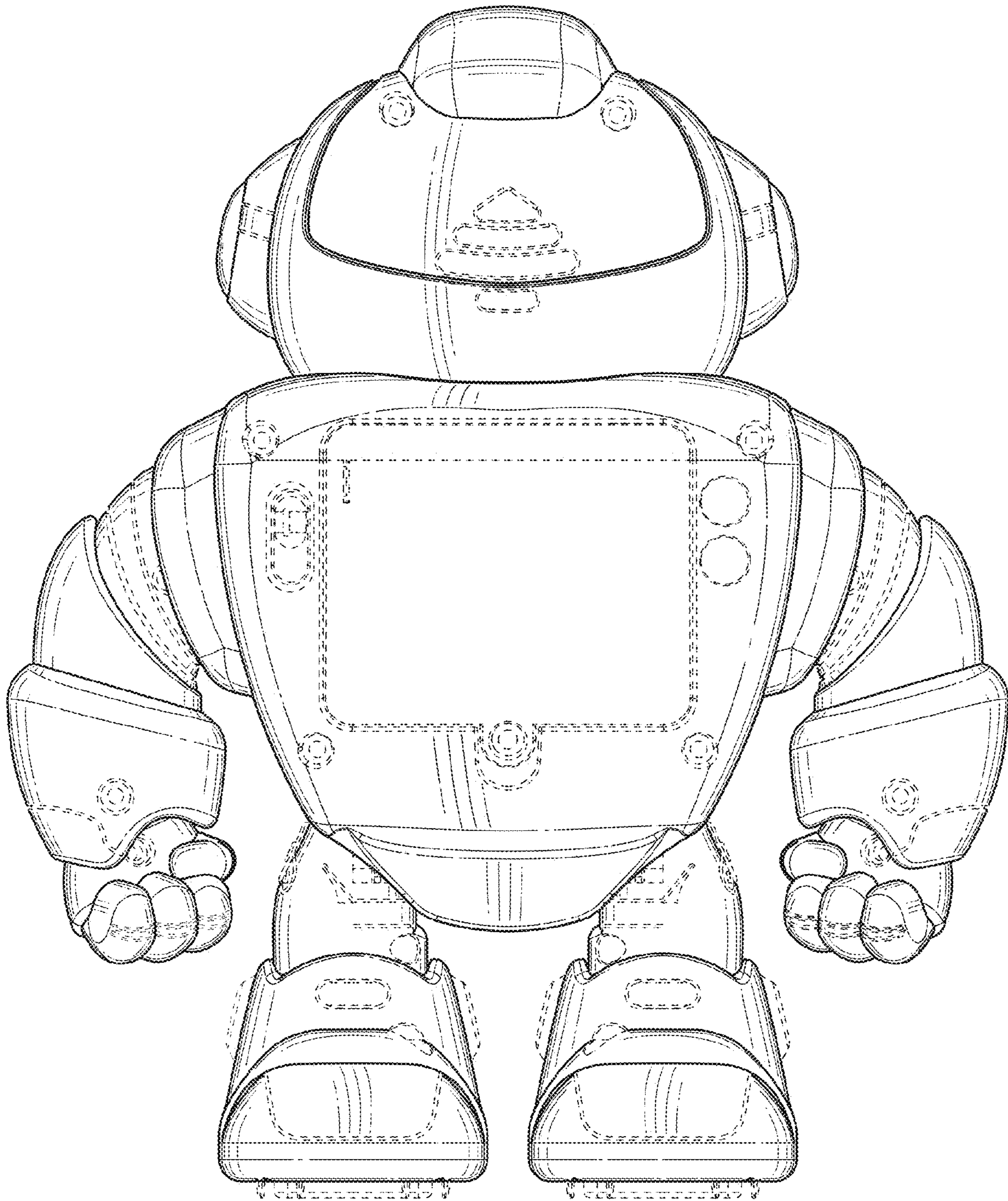


FIG. 2

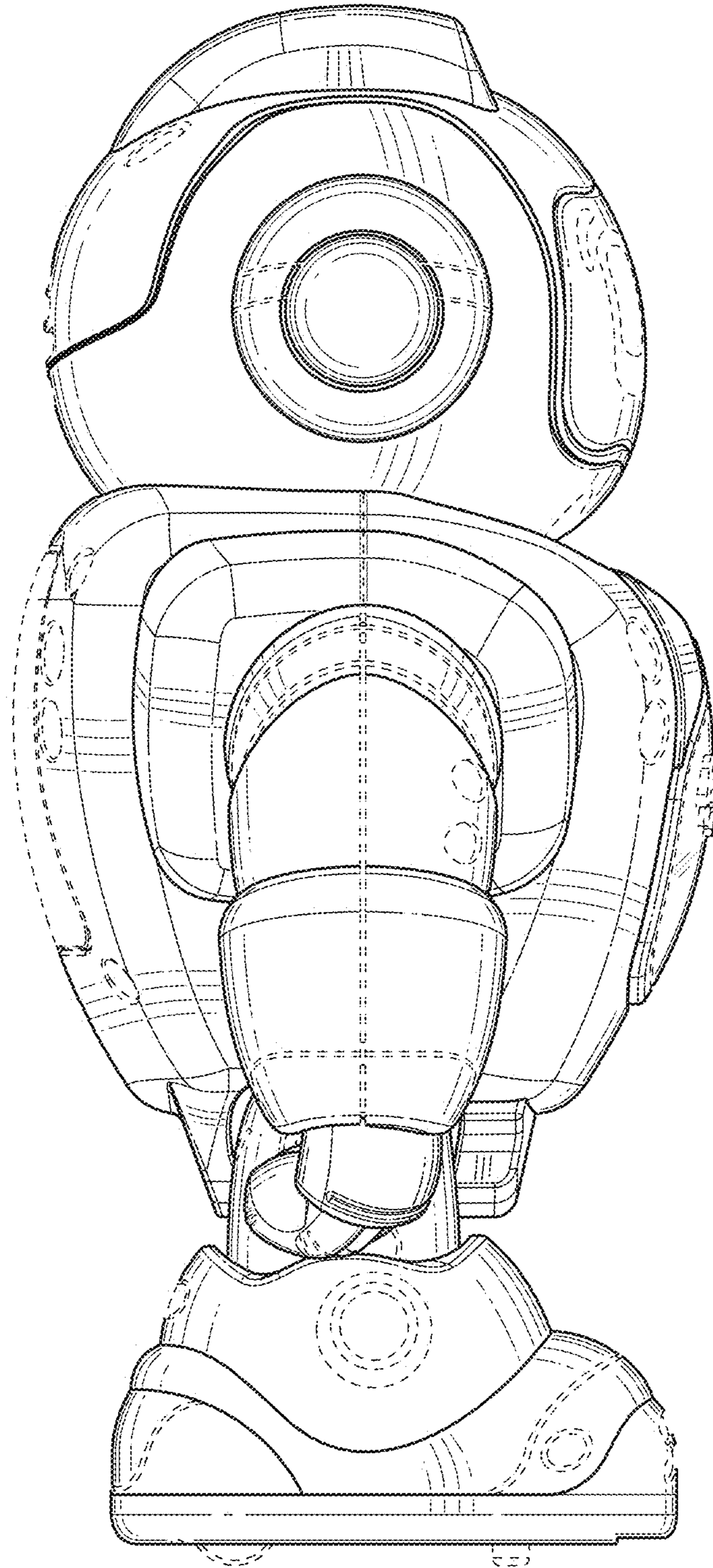


FIG. 3

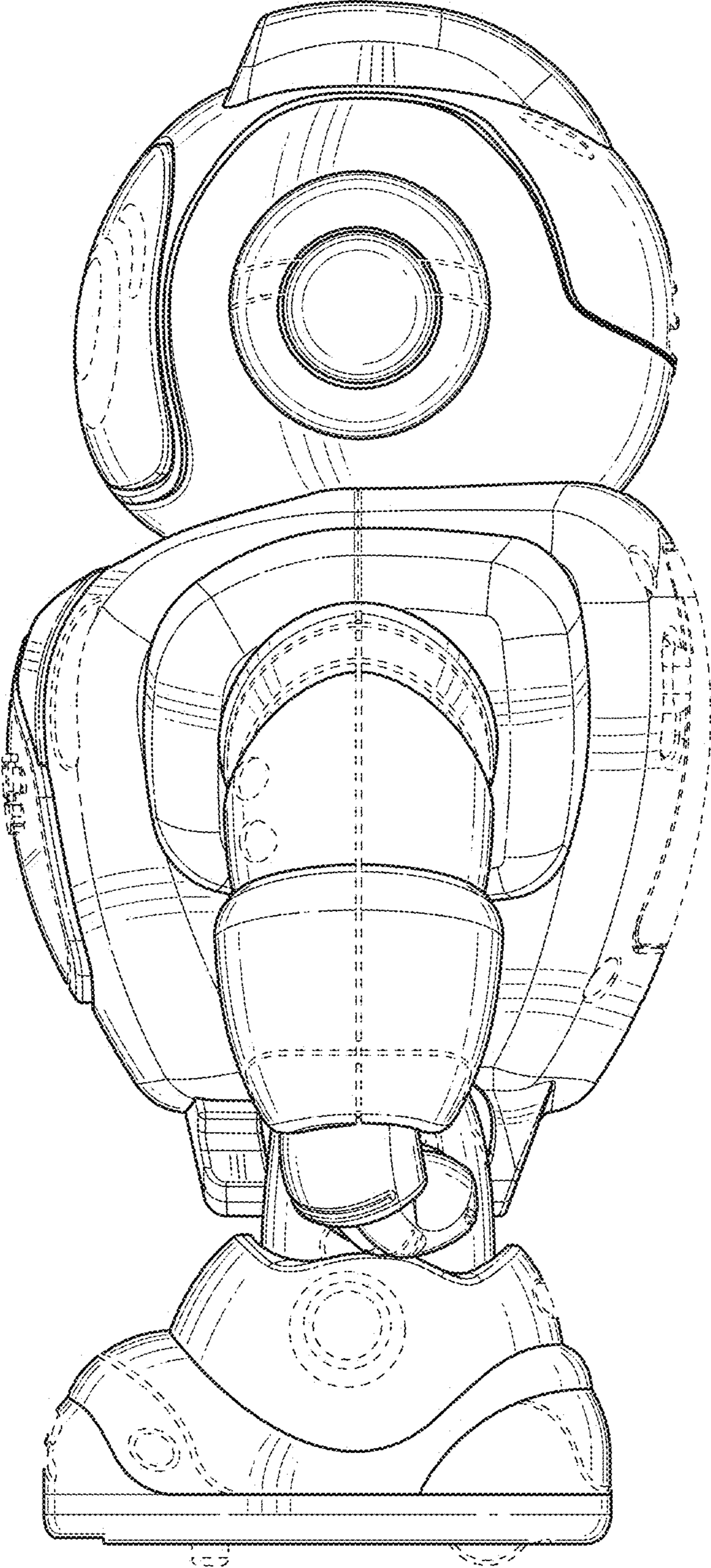


FIG. 4

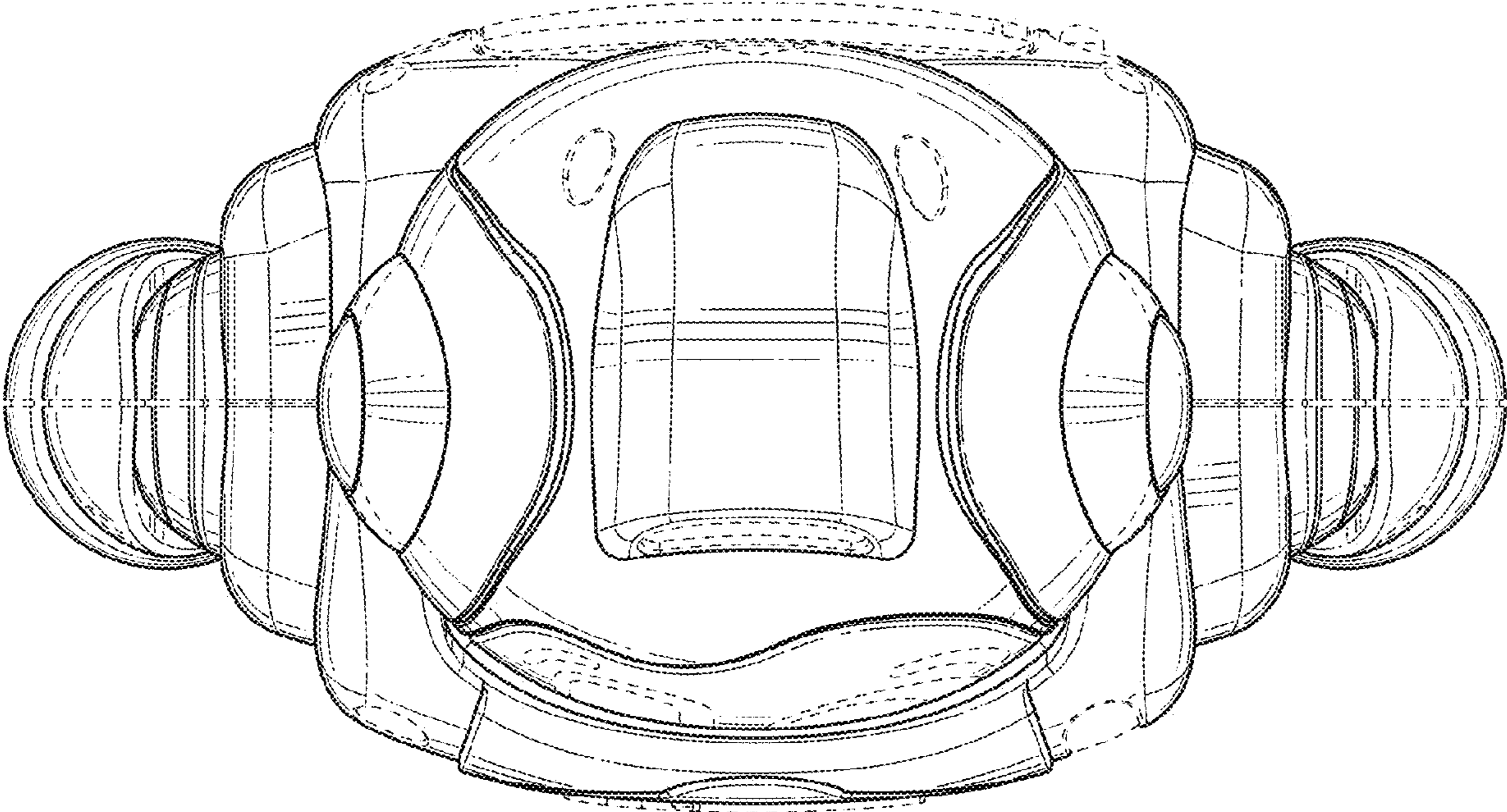


FIG. 5

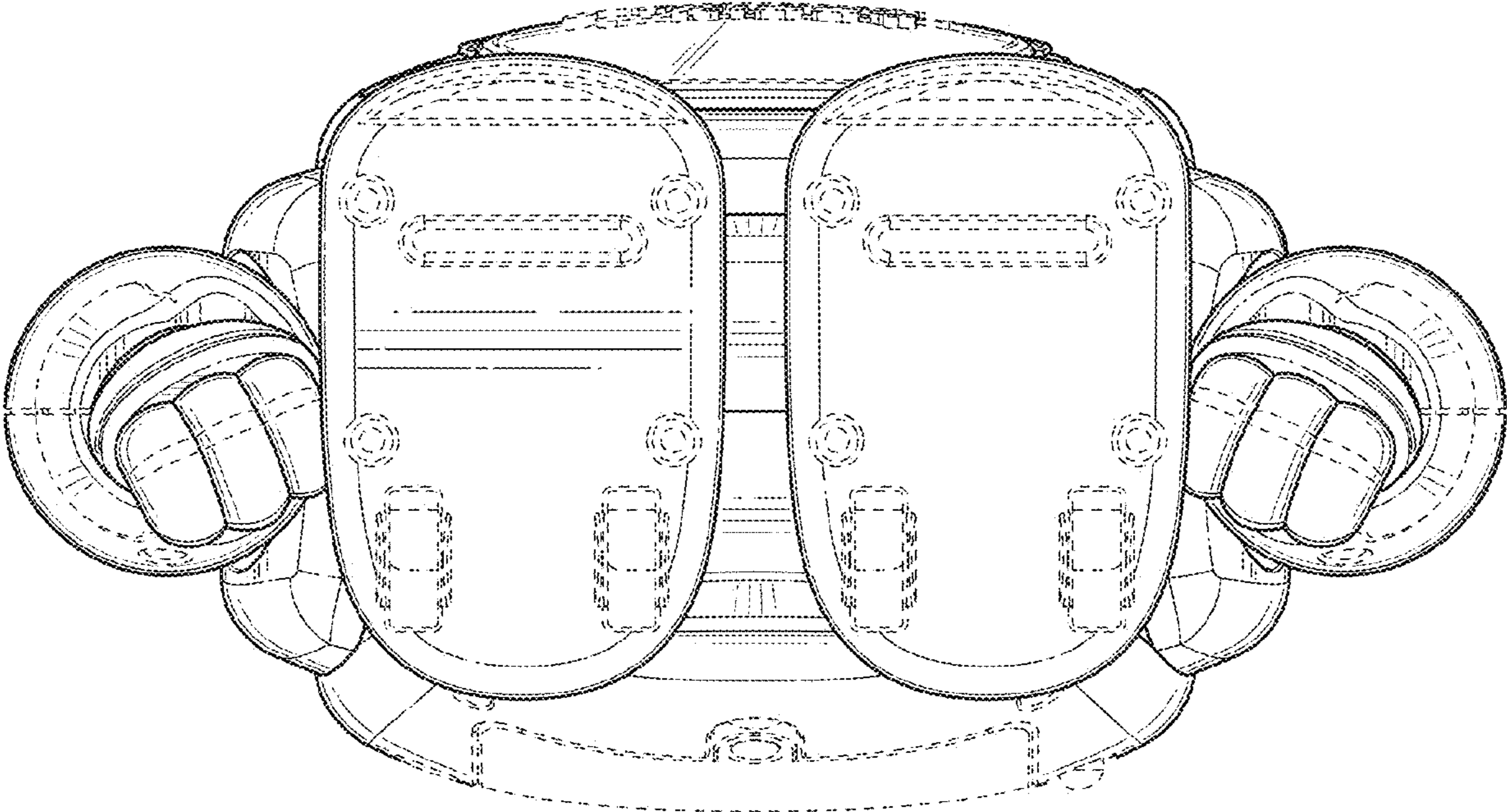


FIG. 6