



US00D943684S

(12) **United States Design Patent**
Zheng

(10) **Patent No.:** **US D943,684 S**

(45) **Date of Patent:** **** Feb. 15, 2022**

(54) **TOY GUN**

(71) Applicant: **Shantou Quansheng Toy Factory,**
Shantou (CN)

(72) Inventor: **Wenjie Zheng,** Chaozhou (CN)

(**) Term: **15 Years**

(21) Appl. No.: **29/769,636**

(22) Filed: **Feb. 7, 2021**

(51) **LOC (13) Cl.** **21-01**

(52) **U.S. Cl.**
USPC **D21/574**

(58) **Field of Classification Search**
USPC D21/333, 570, 572-575; D14/418;
D22/100, 103
CPC F41B 7/00; F41B 7/003; F41B 7/08; F41B
9/00; F41B 9/0078; F41B 9/0081; F41B
11/89; A63H 5/04
See application file for complete search history.

(56) **References Cited**

U.S. PATENT DOCUMENTS

D354,997 S *	1/1995	Arad	D21/574
D635,618 S *	4/2011	Nadel	D21/573
D660,920 S *	5/2012	Johnson	D21/572
D660,925 S *	5/2012	Jablonski	D21/573
D660,926 S *	5/2012	Mastin	D21/573

D757,188 S *	5/2016	Murayama	D21/573
D846,038 S	4/2019	Lin	
D883,401 S *	5/2020	Yang	D21/574
D903,789 S *	12/2020	Zheng	D21/572
D928,901 S *	8/2021	Ren	D22/103
2011/0168149 A1*	7/2011	Nadel	F41B 11/641 124/63

* cited by examiner

Primary Examiner — Cynthia M. Chin

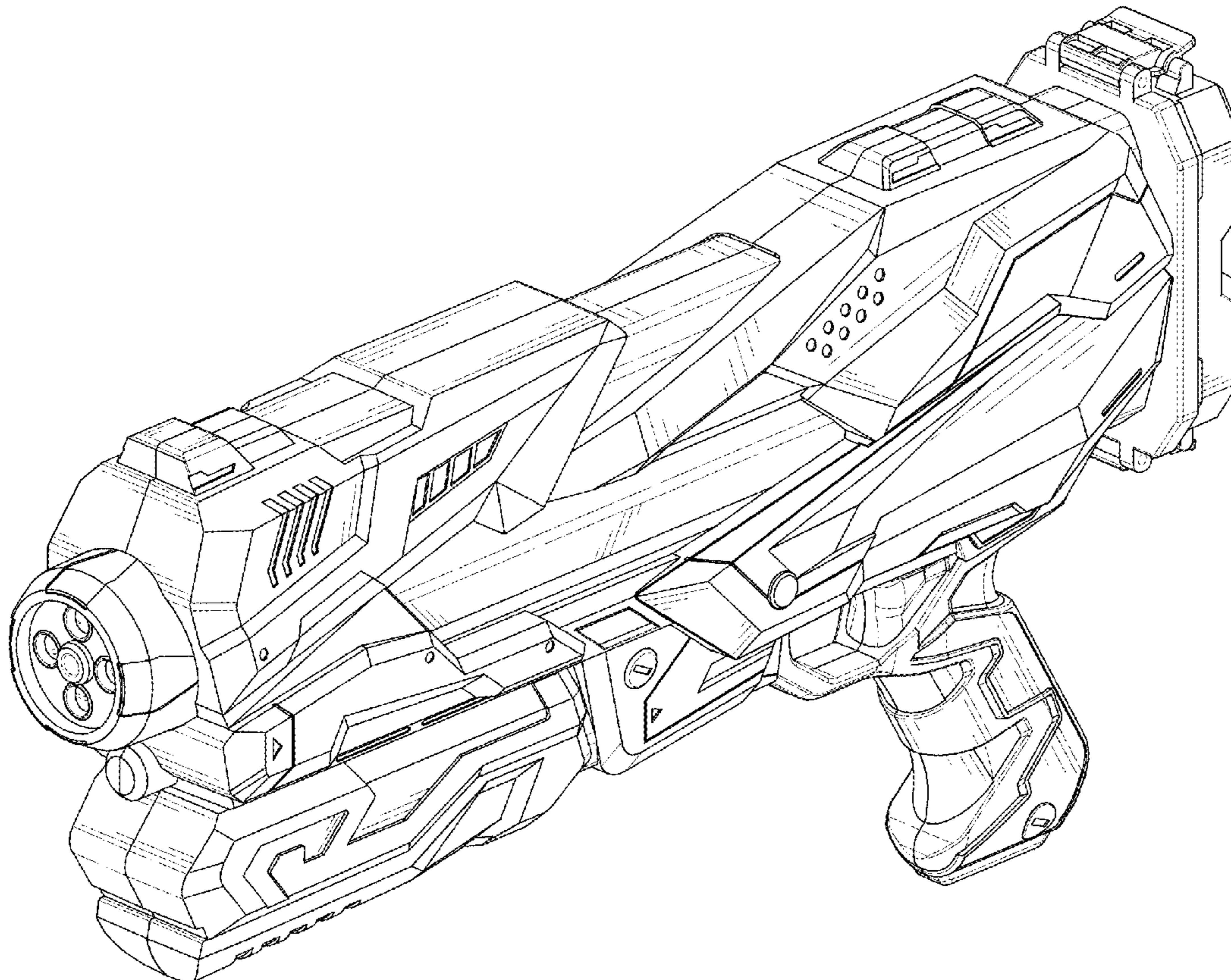
(57) **CLAIM**

The ornamental design for a toy gun, as shown and described.

DESCRIPTION

FIG. 1 is a front and top perspective view of a toy gun, showing my new design;
FIG. 2 is a rear and bottom perspective view thereof;
FIG. 3 is a front elevation view thereof;
FIG. 4 is a rear elevation view thereof;
FIG. 5 is a left side elevation view thereof;
FIG. 6 is a right side elevation view thereof;
FIG. 7 is a top plan view thereof; and,
FIG. 8 is a bottom plan view thereof.
The dashed broken lines in the figures illustrate portions of the toy gun that form no part of the claimed design.

1 Claim, 8 Drawing Sheets



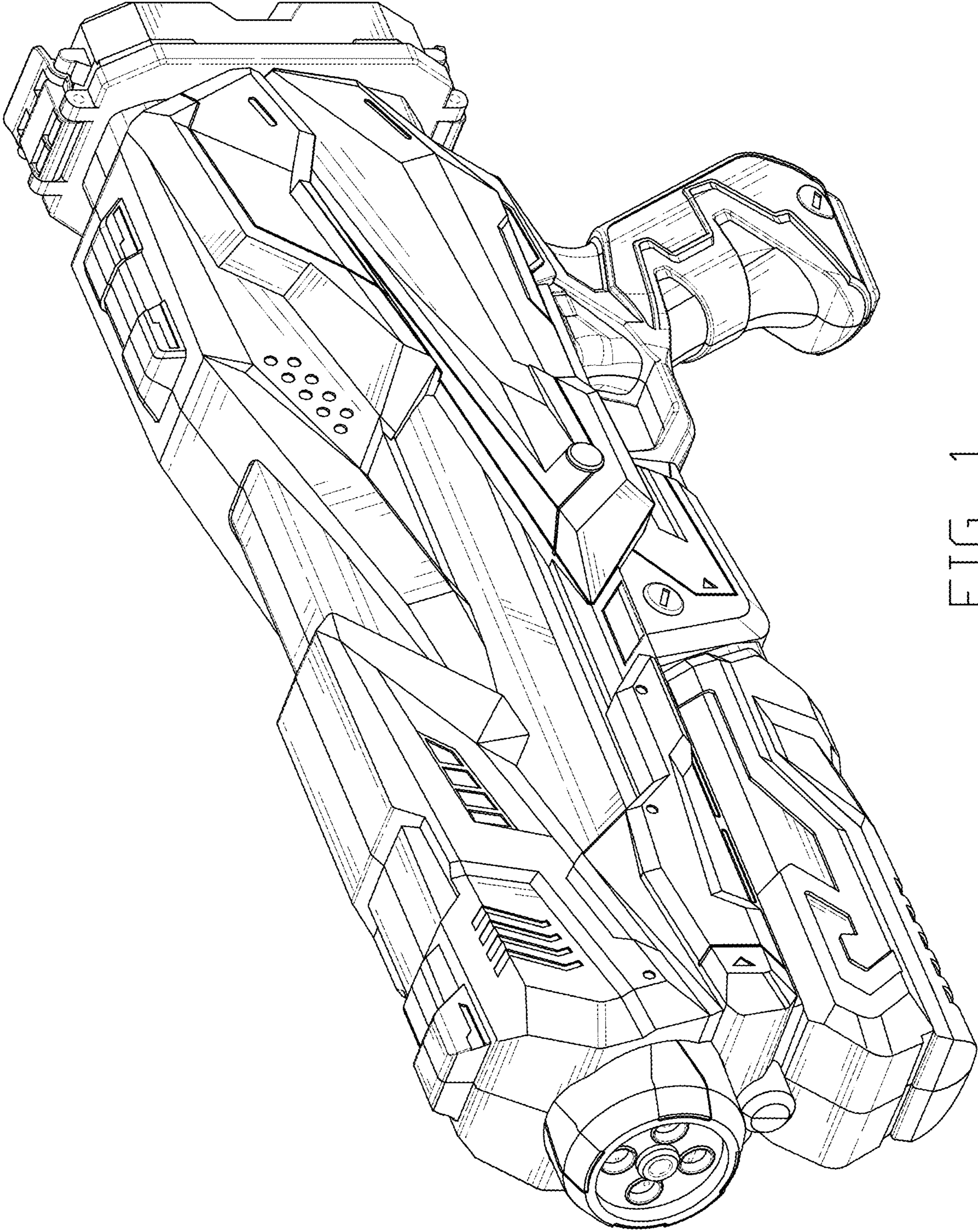


FIG. 1

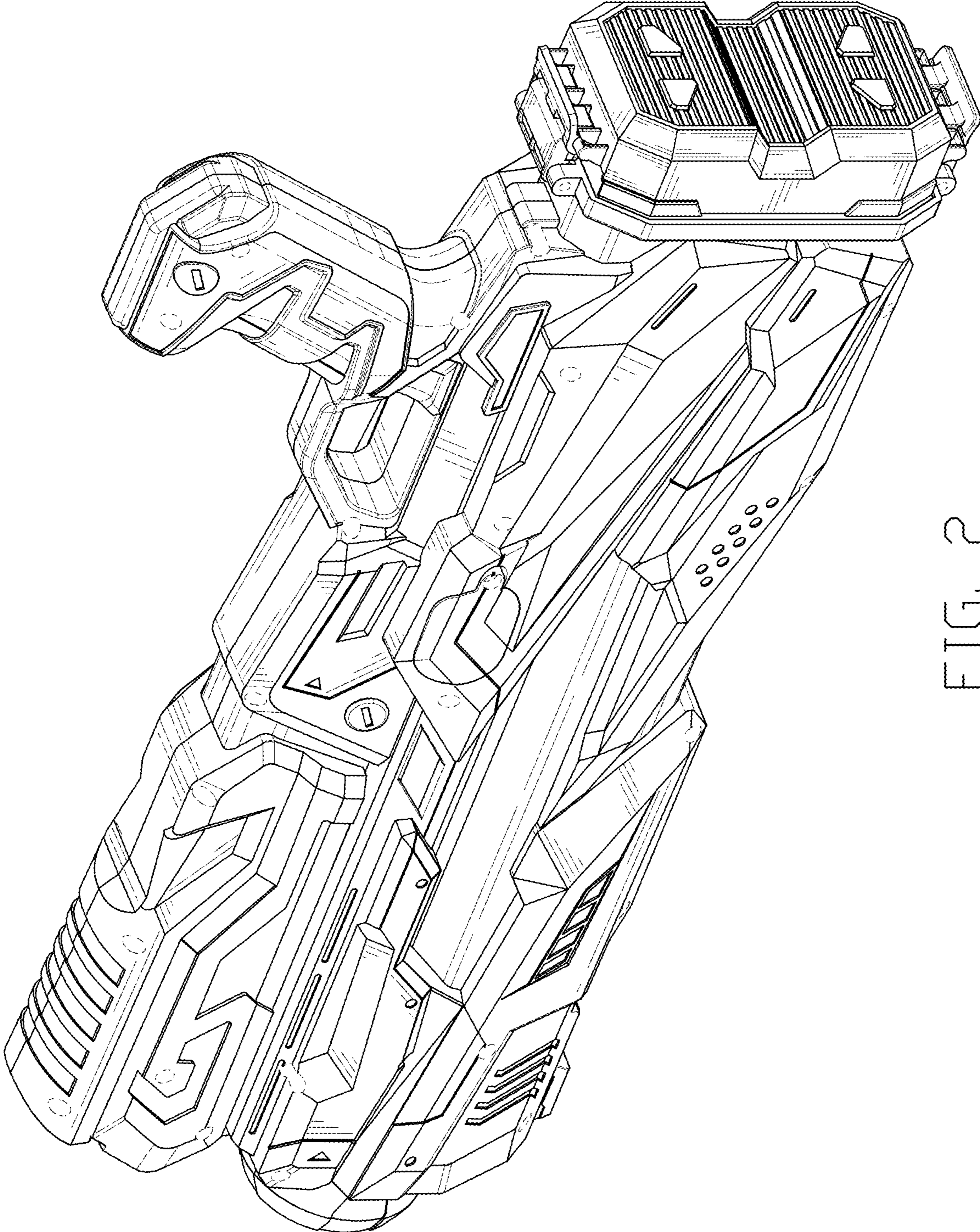


FIG. 2

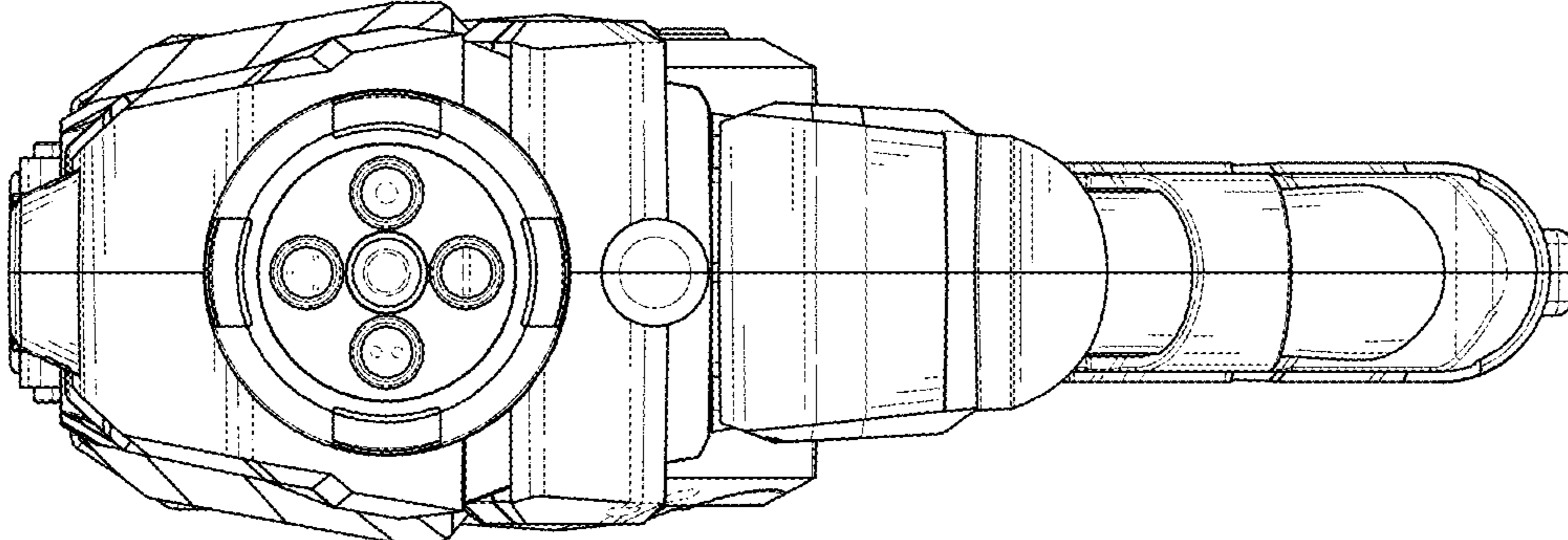


FIG. 3

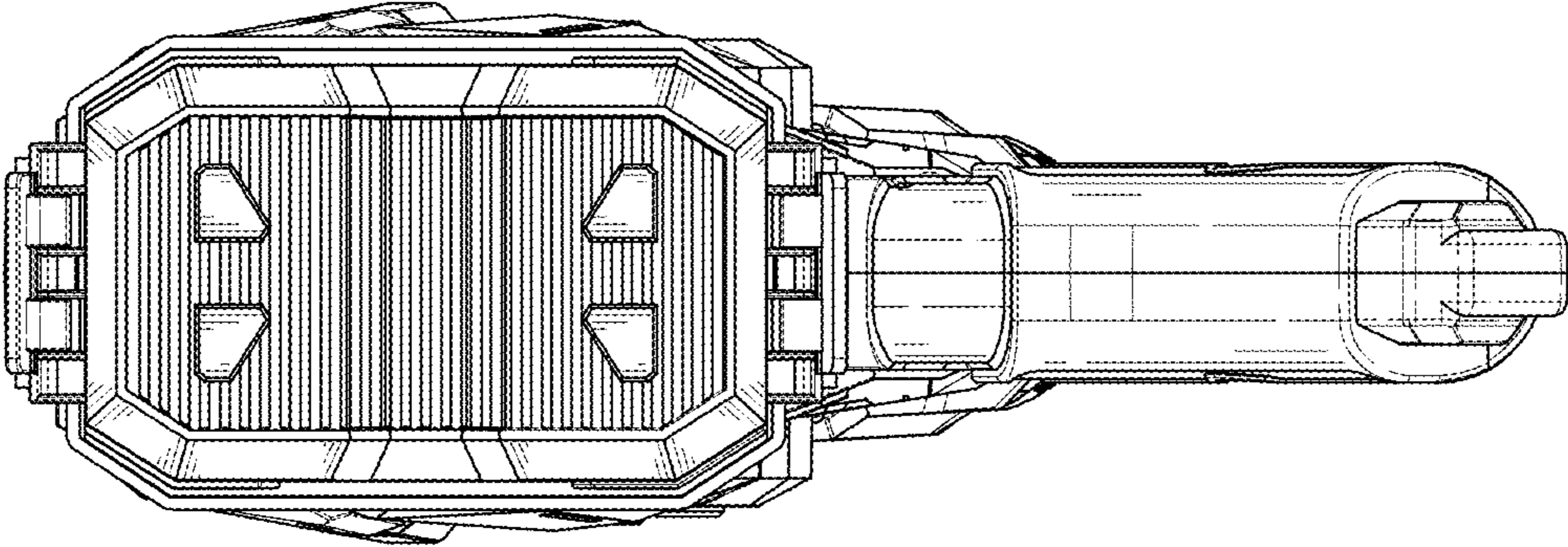


FIG. 4

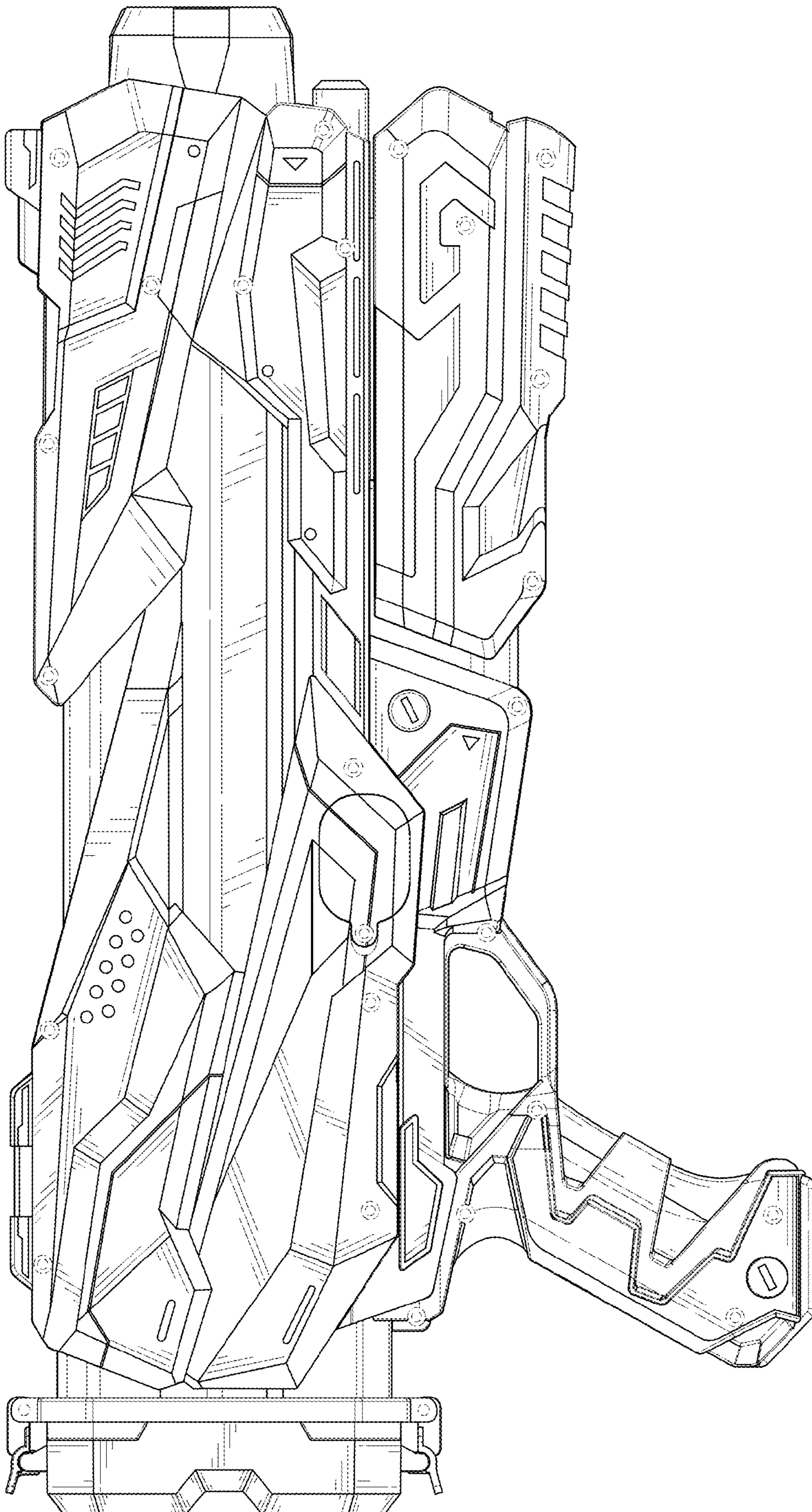


FIG. 5

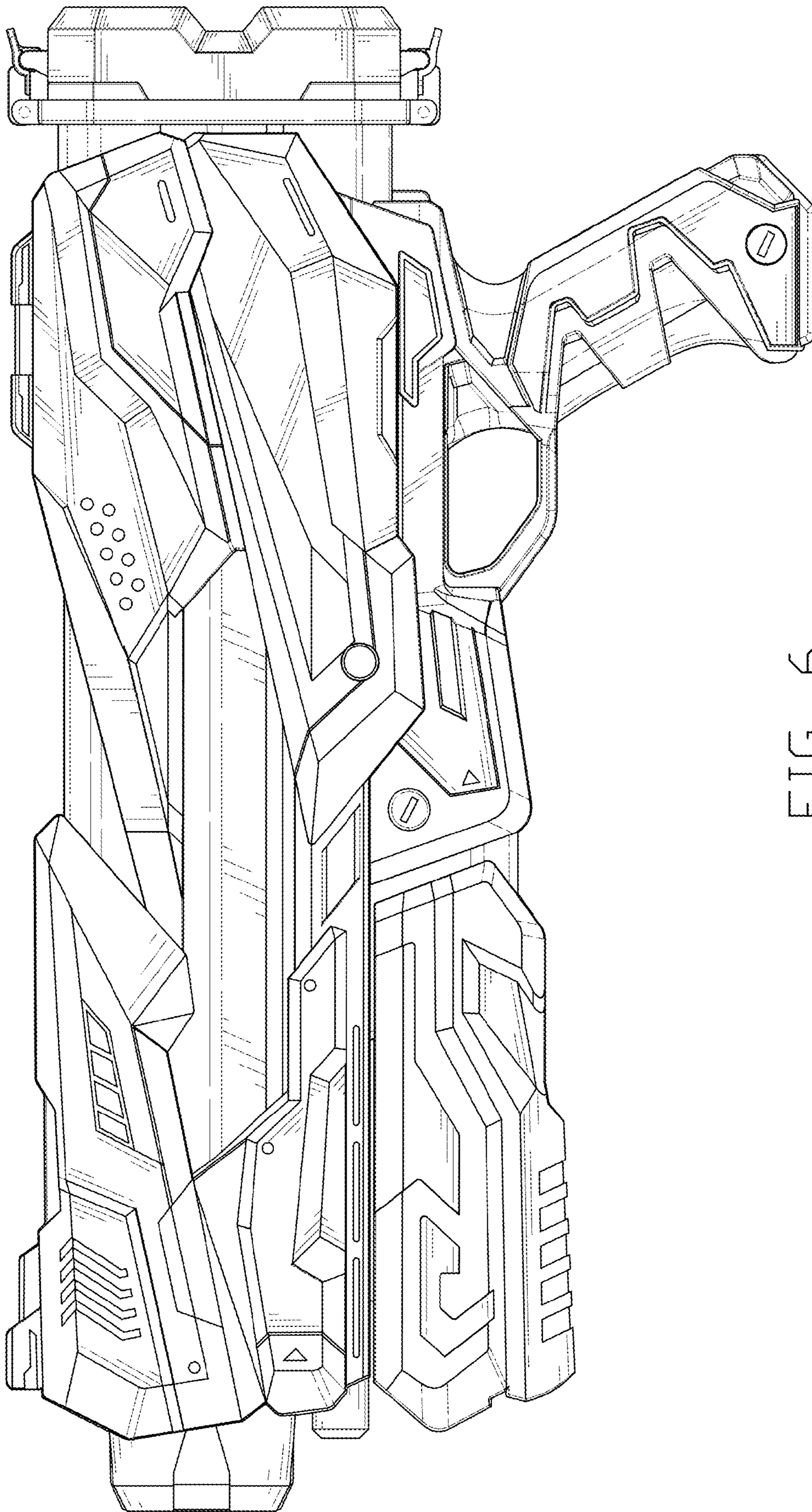


FIG. 6

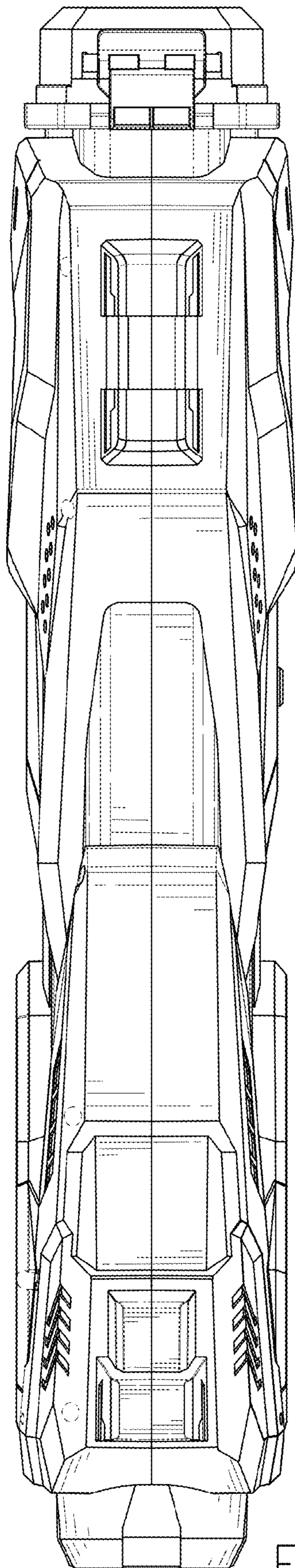


FIG. 7

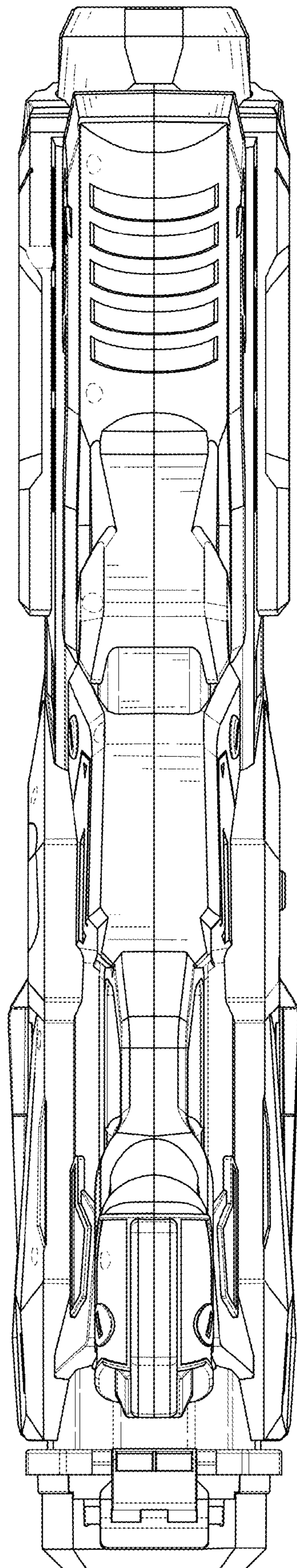


FIG. 8