



US00D943683S

(12) **United States Design Patent**
Jain et al.

(10) **Patent No.:** **US D943,683 S**

(45) **Date of Patent:** **** Feb. 15, 2022**

(54) **CROSSBOW LAUNCHER**

(71) Applicant: **SMARTIVITY LABS PVT. LTD.,**
New Delhi (IN)

(72) Inventors: **Rajat Jain**, New Delhi (IN); **Surjeesh Laishram**, New Delhi (IN)

(73) Assignee: **SMARTIVITY LABS PVT. LTD.,**
New Delhi (IN)

(**) Term: **15 Years**

(21) Appl. No.: **29/721,867**

(22) Filed: **Jan. 23, 2020**

(51) **LOC (13) Cl.** **21-01**

(52) **U.S. Cl.**
USPC **D21/571; D22/107**

(58) **Field of Classification Search**
USPC D22/100, 101, 107, 108, 109, 110, 111,
D22/106; D21/571

CPC F41B 5/143; F41B 5/1442; F41B 5/12;
F41B 5/00

See application file for complete search history.

(56) **References Cited**

U.S. PATENT DOCUMENTS

7,506,643 B2 * 3/2009 Holmberg F41B 5/12
124/25
D715,391 S * 10/2014 Choma D22/107

D715,887 S * 10/2014 Friedman D22/109
D807,982 S * 1/2018 Alba D22/108
10,012,472 B2 * 7/2018 Gohlke F41G 1/467
10,415,924 B1 * 9/2019 Huang F41B 5/143
D875,869 S * 2/2020 Fu D22/107
10,605,560 B1 * 3/2020 Schaffer F41B 5/143
D899,547 S * 10/2020 Warner D22/108
10,823,525 B1 * 11/2020 Stevens F41B 5/143
10,866,055 B1 * 12/2020 Hensel F41A 19/06
11,085,721 B1 * 8/2021 Liu F41A 17/46

* cited by examiner

Primary Examiner — Mojtaba Tehrani

(74) *Attorney, Agent, or Firm* — Kunzler Bean & Adamson, PC

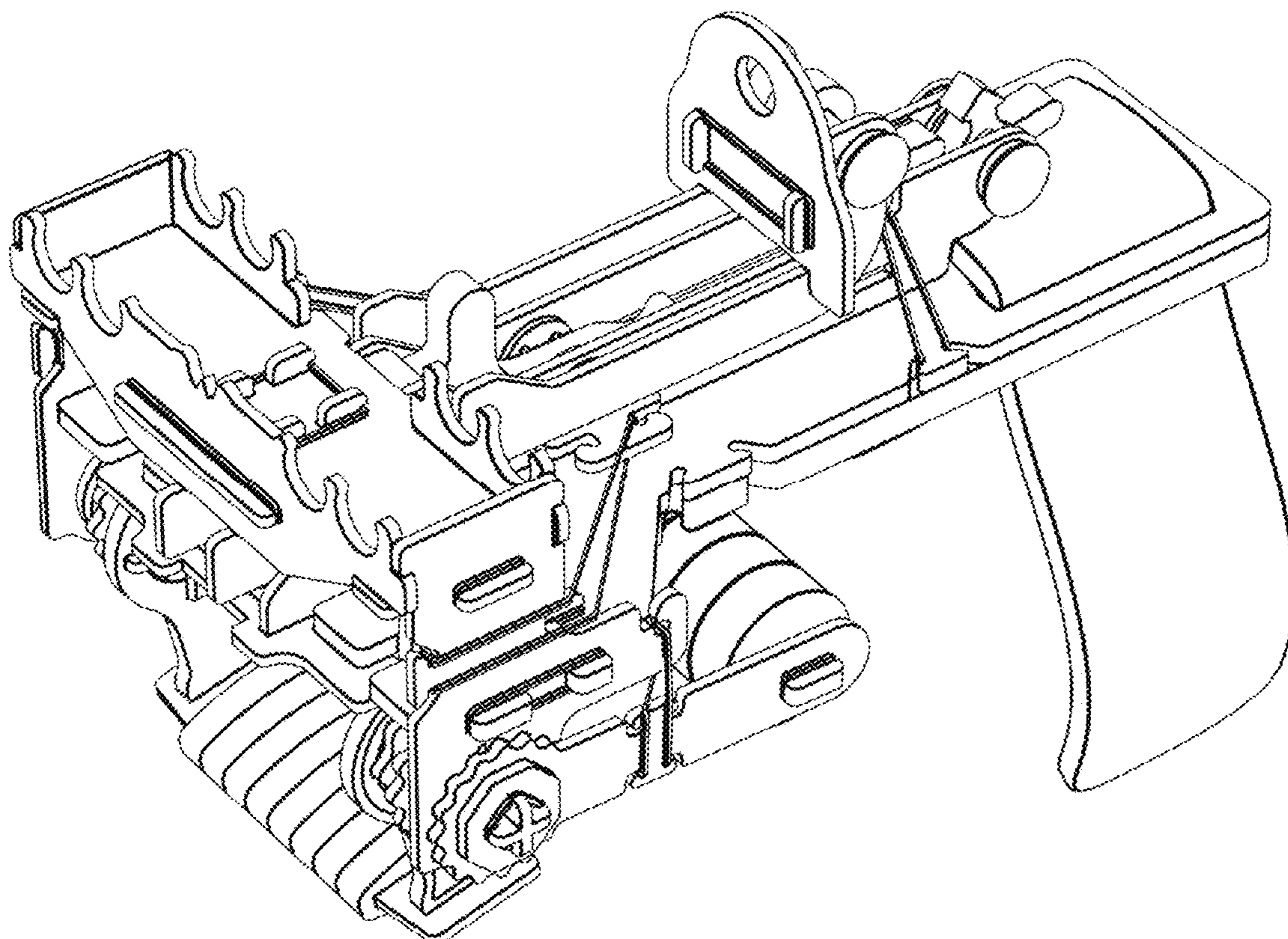
(57) **CLAIM**

The ornamental design for a crossbow launcher, as shown and described.

DESCRIPTION

FIG. 1 is a perspective view of a crossbow launcher; FIG. 2 is a front view of the crossbow launcher; FIG. 3 is a rear view of the crossbow launcher; FIG. 4 is a top view of the crossbow launcher; FIG. 5 is a bottom view of the crossbow launcher; FIG. 6 is a left view of the crossbow launcher; and, FIG. 7 is a right view of the crossbow launcher.

1 Claim, 7 Drawing Sheets



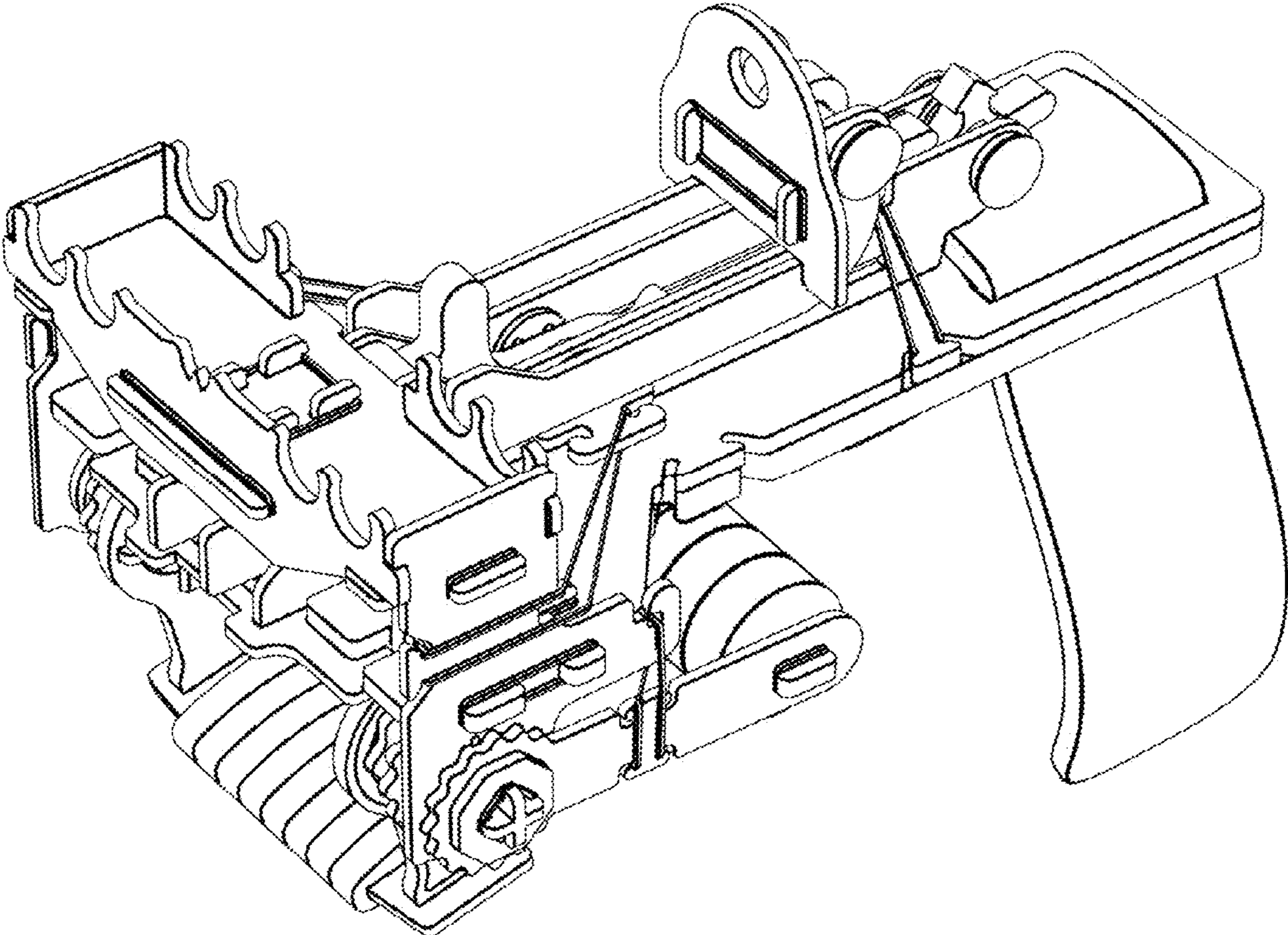


FIGURE 1

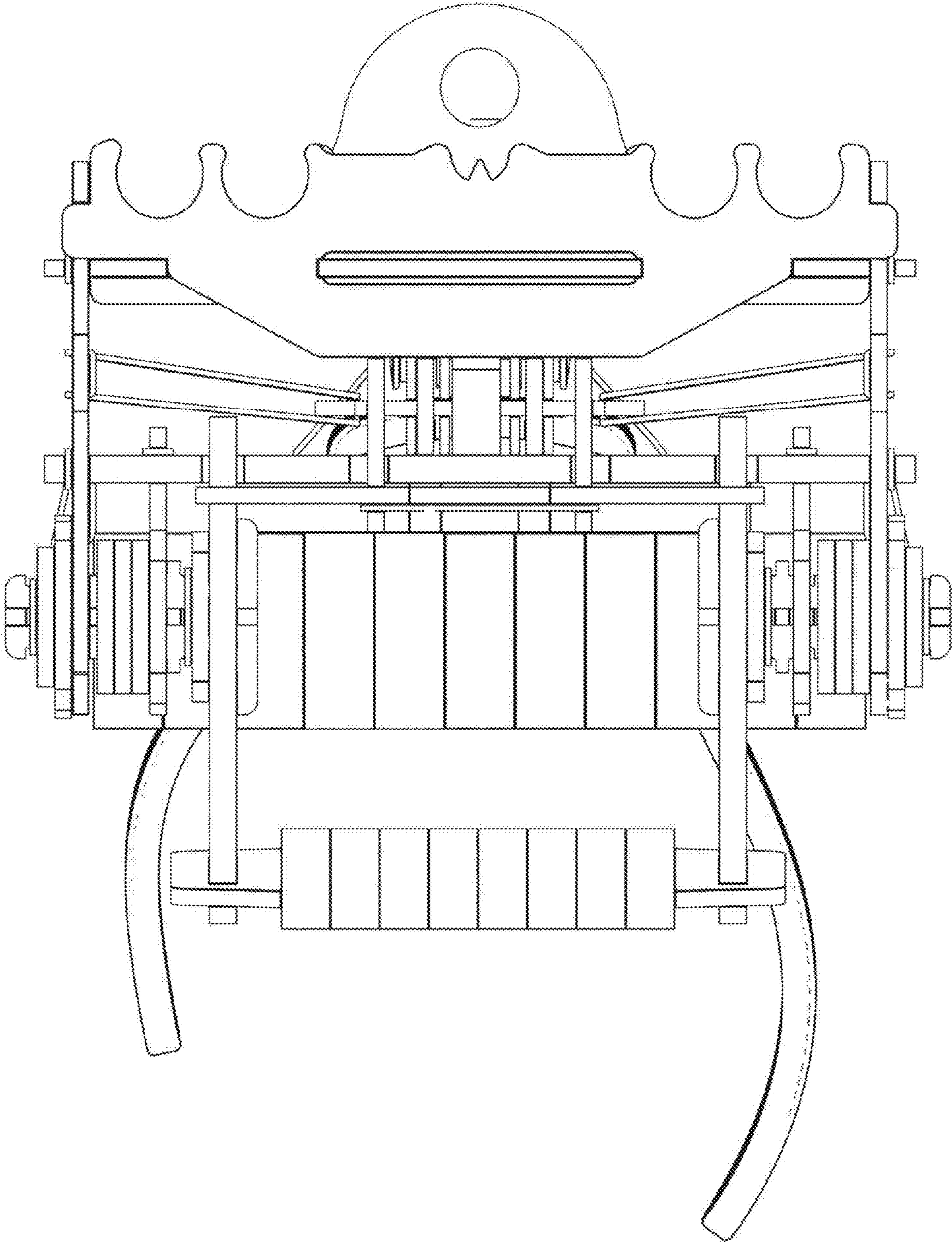


FIGURE 2

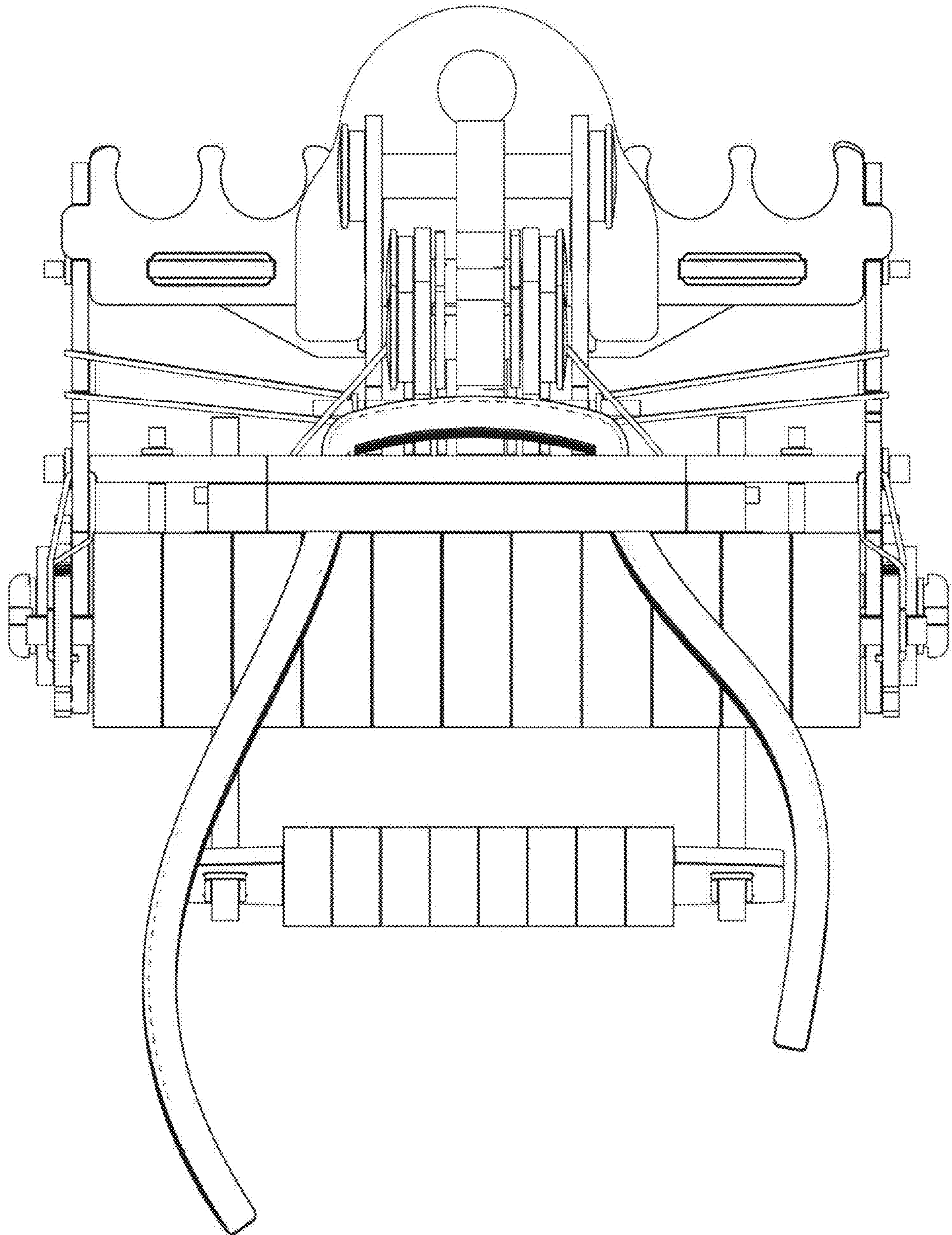


FIGURE 3

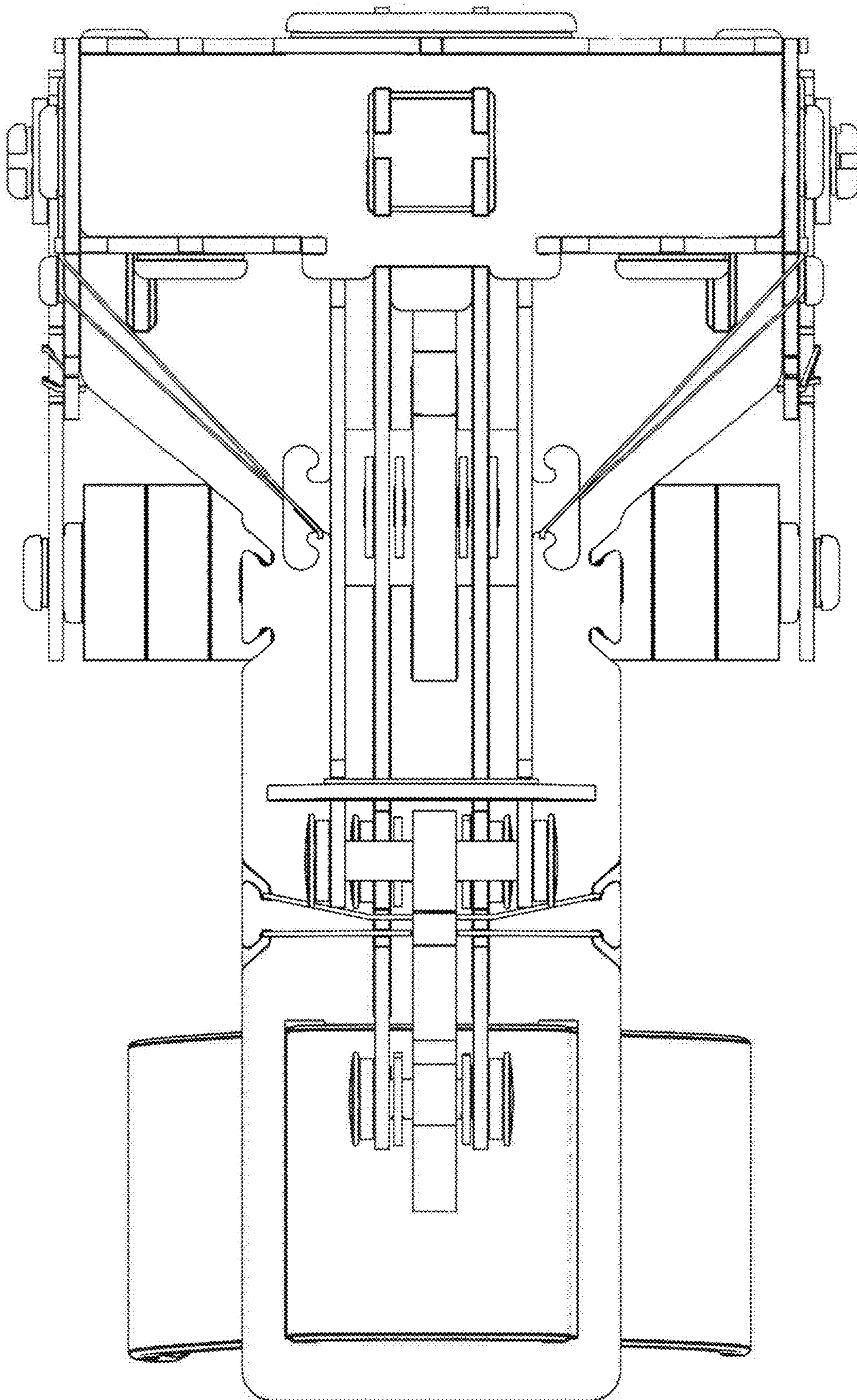


FIGURE 4

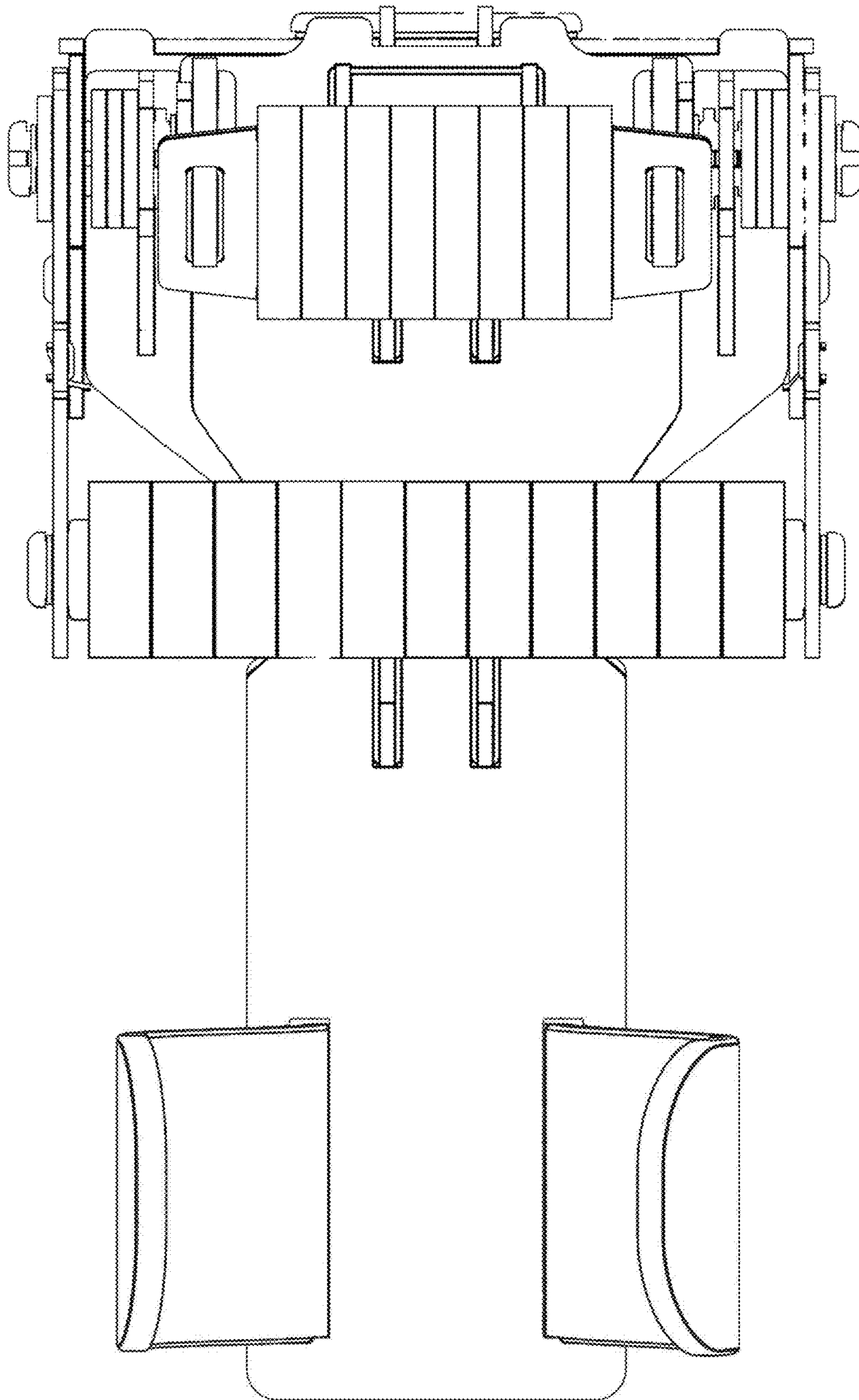


FIGURE 5

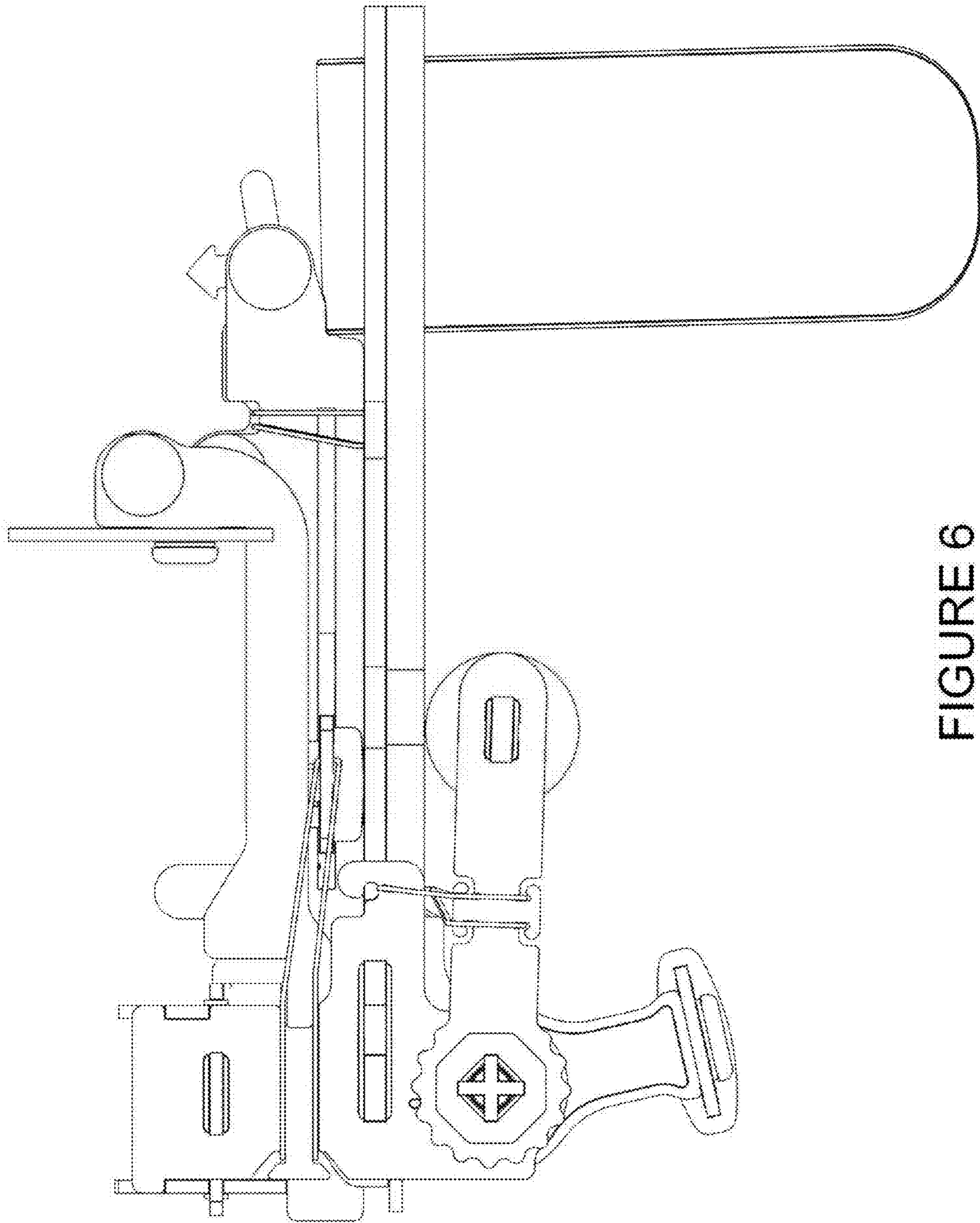


FIGURE 6

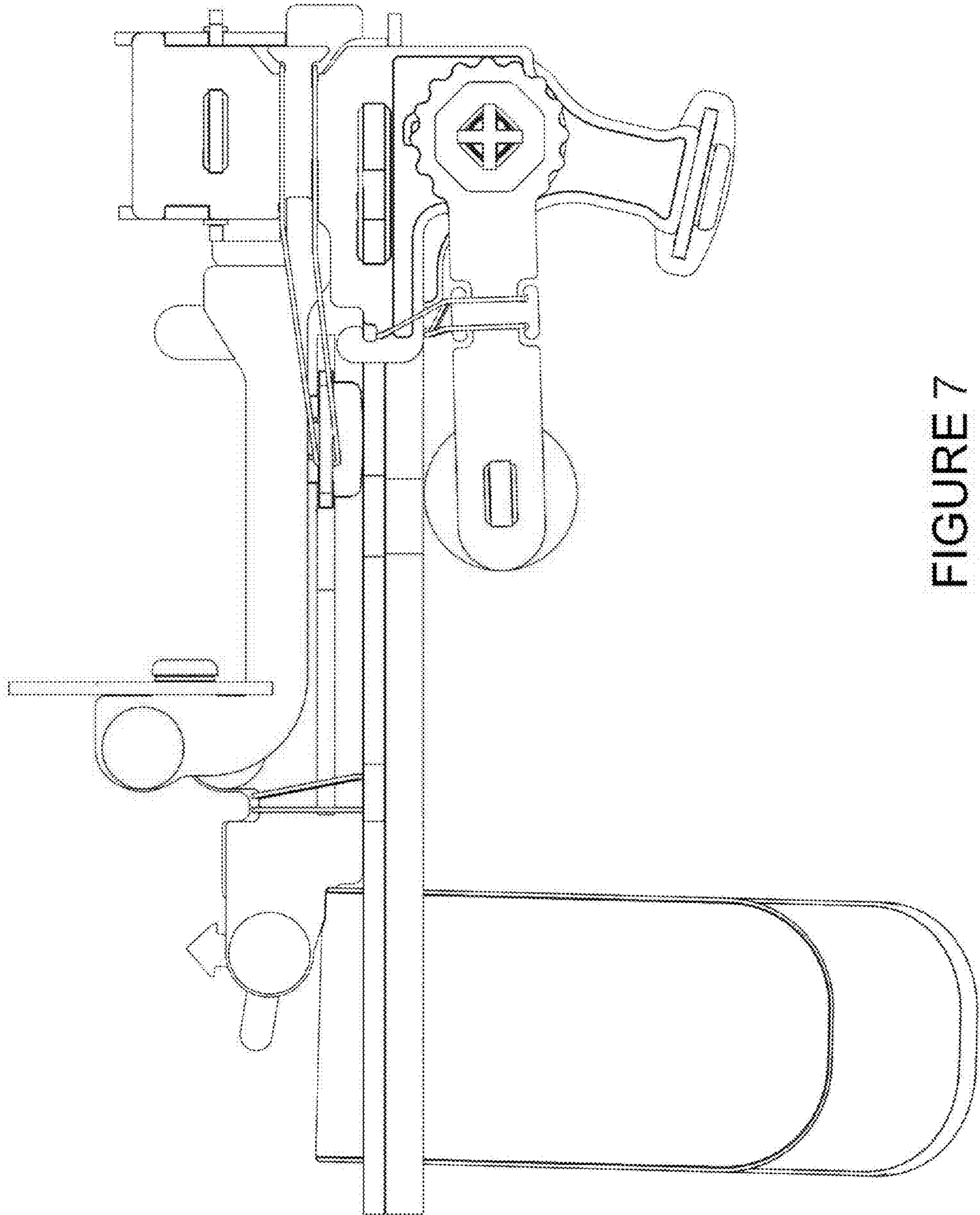


FIGURE 7