



US00D943682S

(12) **United States Design Patent**  
**Alexander**

(10) **Patent No.:** **US D943,682 S**

(45) **Date of Patent:** **\*\* Feb. 15, 2022**

- (54) **TOY CATTLE TRUCK**
- (71) Applicant: **Andrew William Shiels Alexander,**  
Augathella (AU)
- (72) Inventor: **Andrew William Shiels Alexander,**  
Augathella (AU)

D450,785 S \* 11/2001 Walls ..... A63H 17/34  
D21/552  
6,896,316 B1 \* 5/2005 Taylor ..... B60J 5/0498  
296/182.1  
7,125,068 B2 \* 10/2006 Waldorf ..... B60J 5/0498  
296/181.1  
D546,004 S \* 7/2007 Wei ..... D12/93  
(Continued)

(\*\*) Term: **15 Years**

**FOREIGN PATENT DOCUMENTS**

(21) Appl. No.: **29/692,612**

CN 303863783 \* 9/2016  
FR 3016330 A1 \* 7/2015 ..... B62D 35/00  
KR 300610799.0000 \* 8/2011

(22) Filed: **May 28, 2019**

(51) **LOC (13) Cl.** ..... **21-01**

(52) **U.S. Cl.**

USPC ..... **D21/559**; D21/533; D21/552

(58) **Field of Classification Search**

USPC ..... D12/13-15, 82, 83, 86, 88, 89, 90, 91,  
D12/93, 94, 95, 97, 98, 99; D21/424,  
D21/427, 433, 434, 477, 483, 533, 535,  
D21/548-563, 580, 581; 296/181.1,  
296/181.5, 181.3, 183.1, 37.6, 177, 178,  
296/180; 446/88, 93, 95, 102, 448  
CPC ..... B60R 9/06; B62D 35/00; B60C 2200/20;  
B62B 5/0033; A63H 17/162; A63H  
17/262; A63H 17/264; A63H 17/38;  
A63H 17/004; A63H 17/26; A63H  
17/266; A63H 17/36; A63H 29/00; A63H  
29/22; A63H 29/24; A63H 30/04

See application file for complete search history.

**OTHER PUBLICATIONS**

"<sup>1</sup>/<sub>43</sub> D/C Kenworth W900 Pot Belly Livestock," Dec. 12, 2017,  
amazon.com/au, site visited Apr. 5, 2021, URL: [https://www.amazon.com.au/Kenworth-W900-Belly-Livestock-Trailer/dp/B000FGIUE2/ref=sr\\_1\\_7?dchild=1&keywords=cattle+truck&qid=1617623056&sr=8-7](https://www.amazon.com.au/Kenworth-W900-Belly-Livestock-Trailer/dp/B000FGIUE2/ref=sr_1_7?dchild=1&keywords=cattle+truck&qid=1617623056&sr=8-7) (Year: 2017).\*

(Continued)

*Primary Examiner* — Eric L Goodman

*Assistant Examiner* — Sarah L Smith

(74) *Attorney, Agent, or Firm* — Eric Karich; Karich & Associates

(57) **CLAIM**

The ornamental design for a toy cattle truck, as shown and described.

**DESCRIPTION**

FIG. 1 is a perspective view of a toy cattle truck, showing my new design;

FIG. 2 is a rear elevational view thereof;

FIG. 3 is a front elevational view thereof;

FIG. 4 is a left side elevational view thereof;

FIG. 5 is a right side elevational view thereof;

FIG. 6 is a top plan view thereof; and,

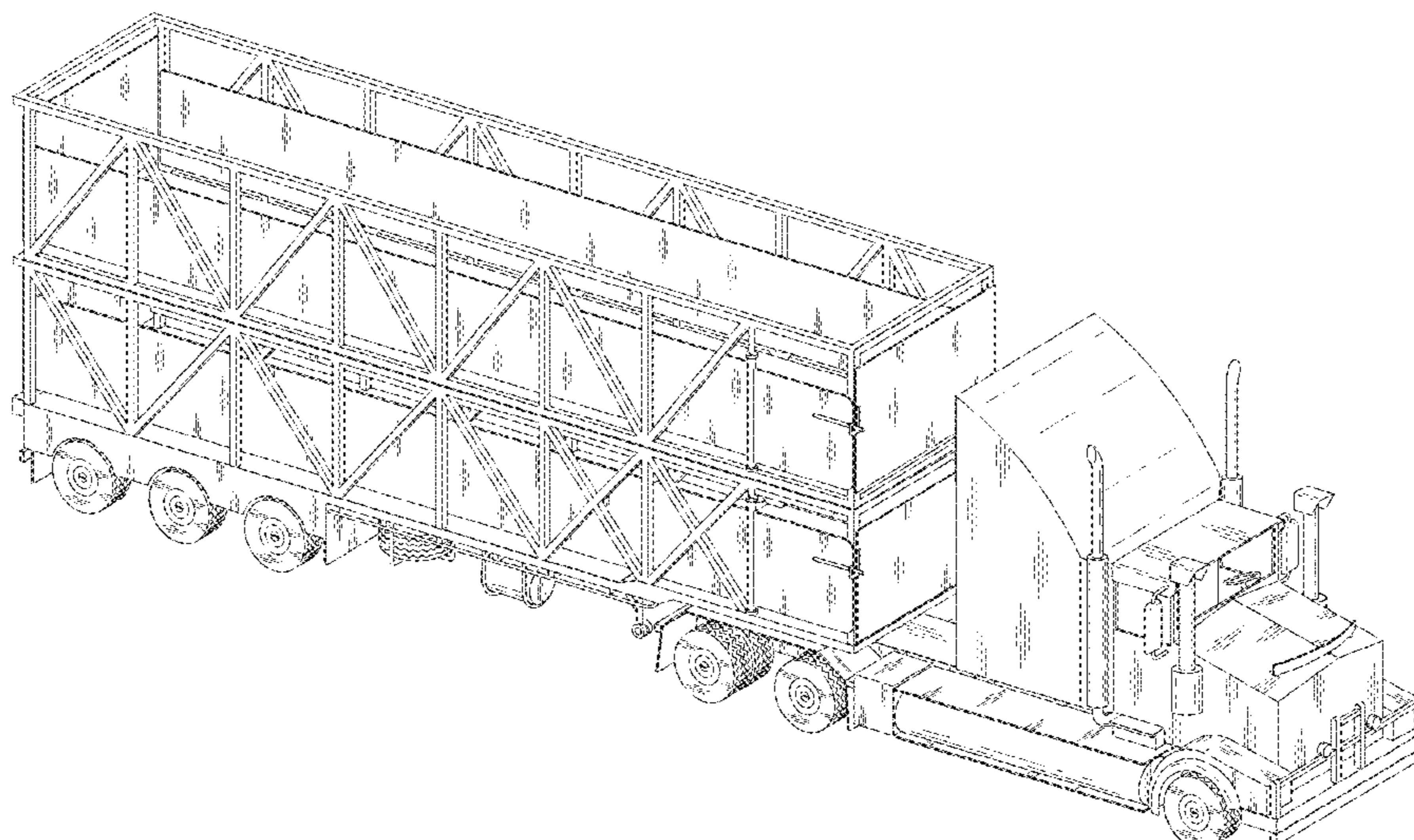
FIG. 7 is a bottom plan view thereof.

**1 Claim, 4 Drawing Sheets**

(56) **References Cited**

**U.S. PATENT DOCUMENTS**

D291,816 S \* 9/1987 Bollinger ..... D21/558  
4,690,609 A \* 9/1987 Brown ..... B60P 3/055  
296/186.4  
5,045,016 A \* 9/1991 Stern ..... A63H 17/34  
446/409  
5,512,001 A \* 4/1996 Kent ..... A63H 17/34  
446/25  
D396,667 S \* 8/1998 Camillieri ..... D12/97  
D413,838 S \* 9/1999 McDaniel ..... D12/97



(56)

**References Cited**

U.S. PATENT DOCUMENTS

2006/0049670 A1\* 3/2006 Beaudry ..... B62D 21/18  
296/203.01  
2016/0009231 A1\* 1/2016 Kresge ..... A47B 49/004  
2017/0043727 A1\* 2/2017 Jay ..... B60R 9/00  
2021/0284056 A1\* 9/2021 Heck ..... B60J 7/1621

OTHER PUBLICATIONS

“New Ray 1:32 Peterbilt 379 Pot Bell Live Stock,” Apr. 6, 2018, amazon.com/au, site visited Apr. 5, 2021, URL: [https://www.amazon.com.au/New-Ray-Peterbilt-Bell-Stock/dp/B000P24AOU/rer-sr\\_1\\_29?dchild=1&keywords=cattle+truck&qid=1617623175&sr=8-29](https://www.amazon.com.au/New-Ray-Peterbilt-Bell-Stock/dp/B000P24AOU/rer-sr_1_29?dchild=1&keywords=cattle+truck&qid=1617623175&sr=8-29) (Year: 2018).\*

\* cited by examiner

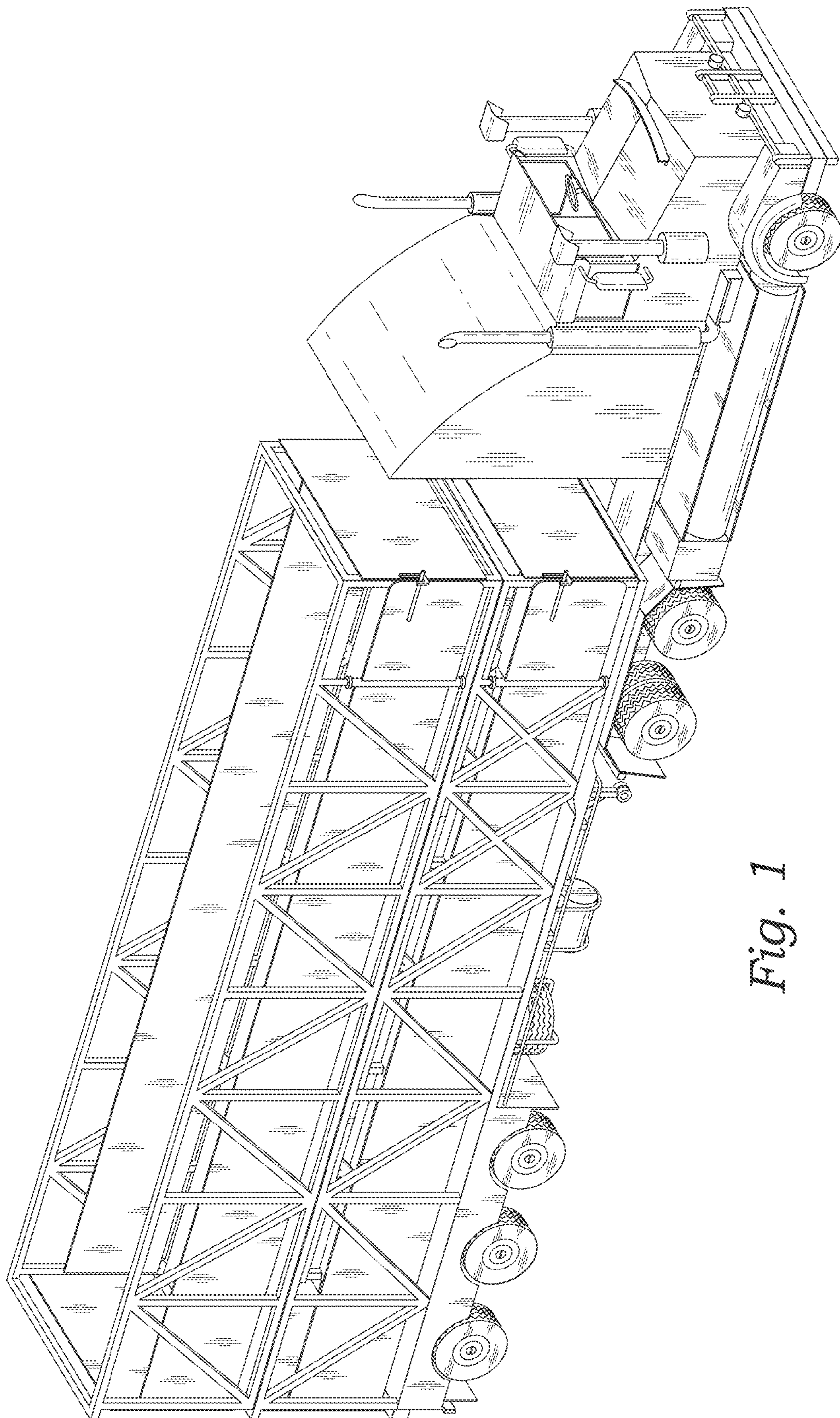
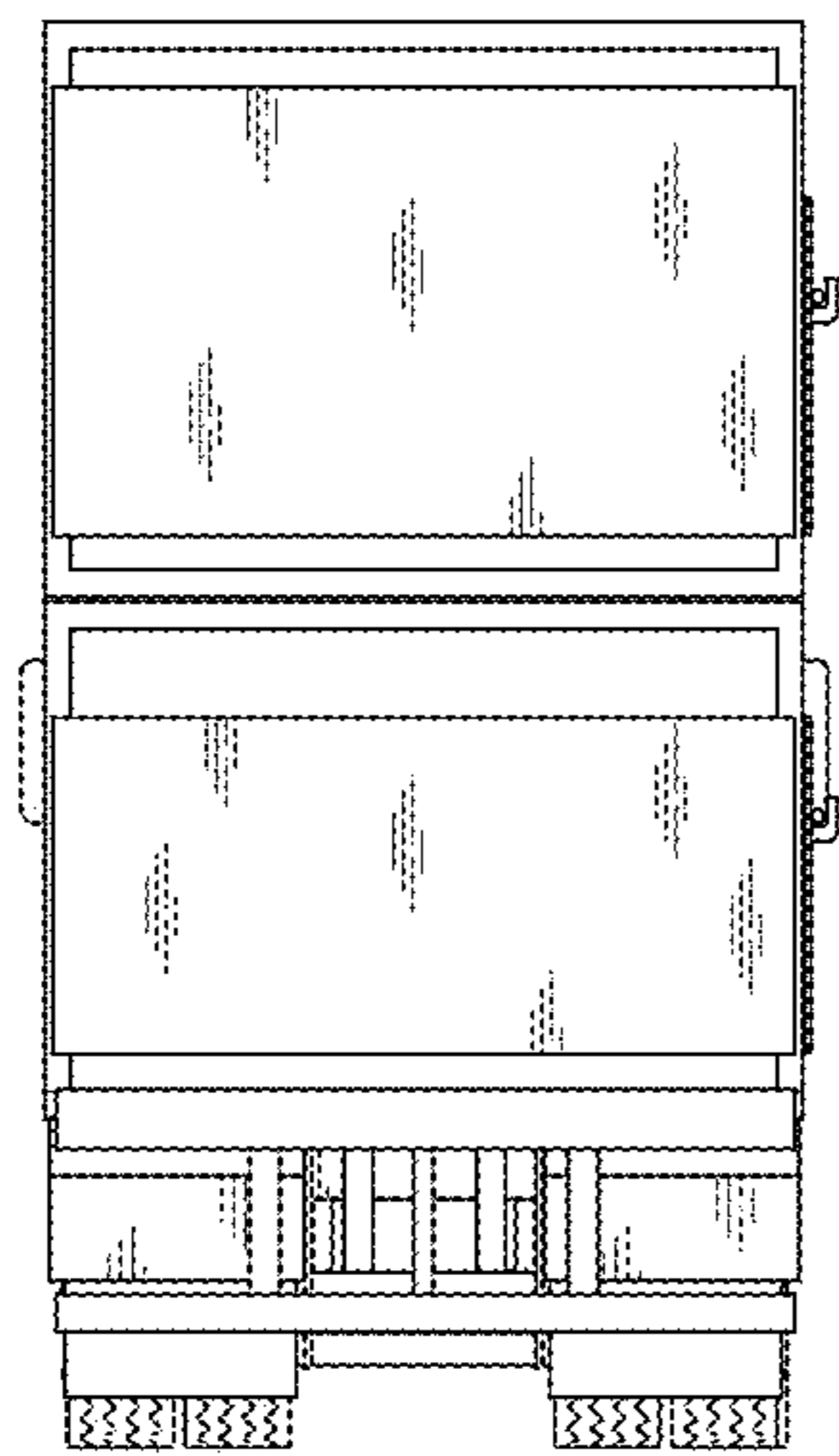
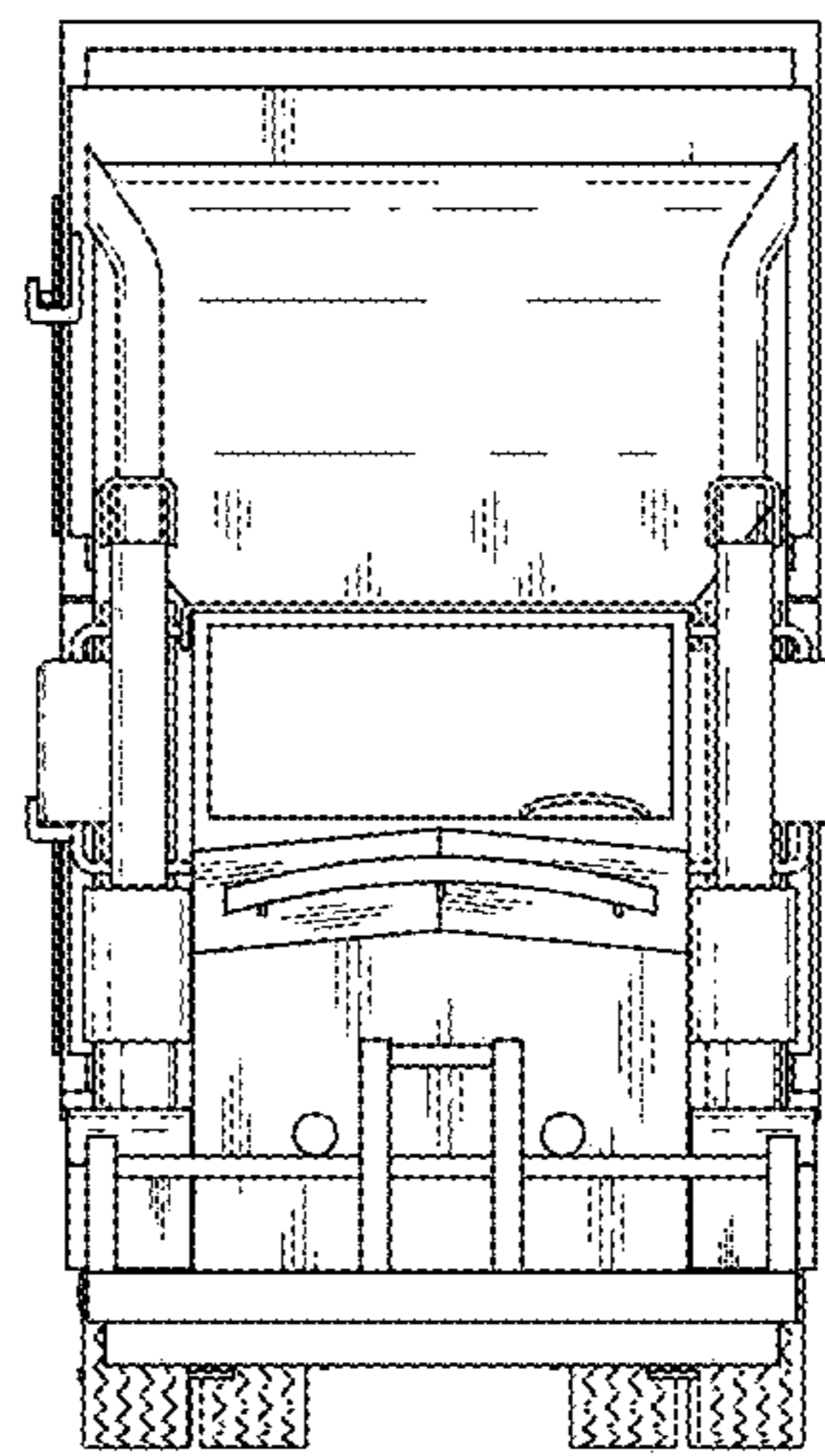


Fig. 1



*Fig. 2*



*Fig. 3*

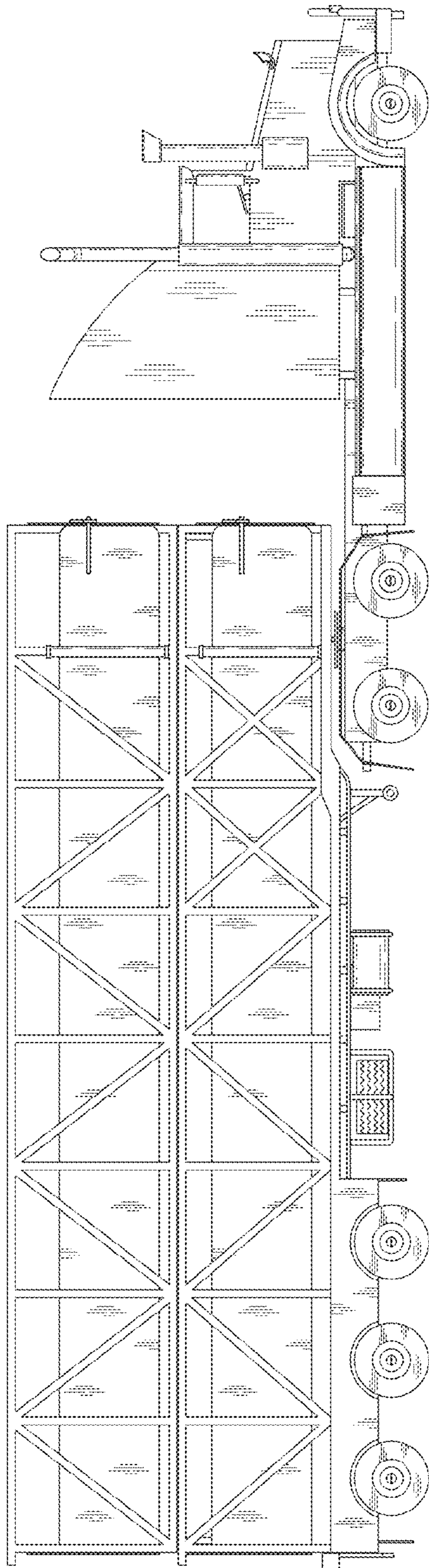


Fig. 4

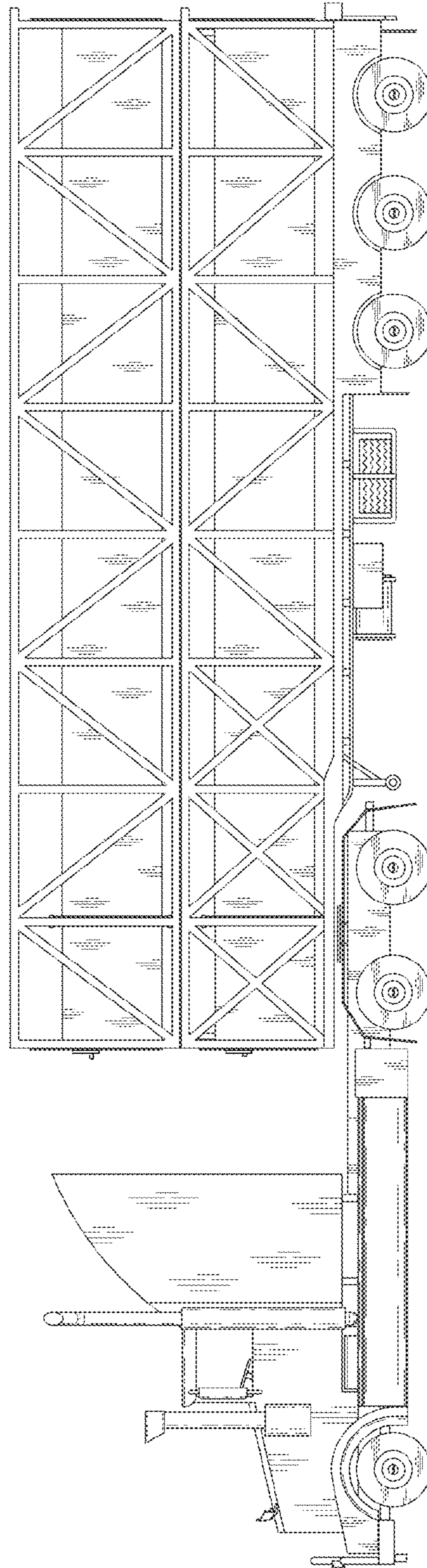


Fig. 5

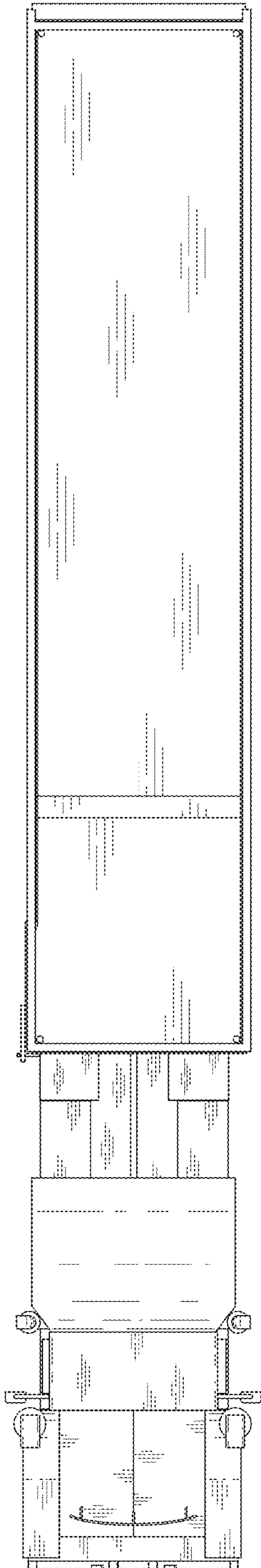


Fig. 6

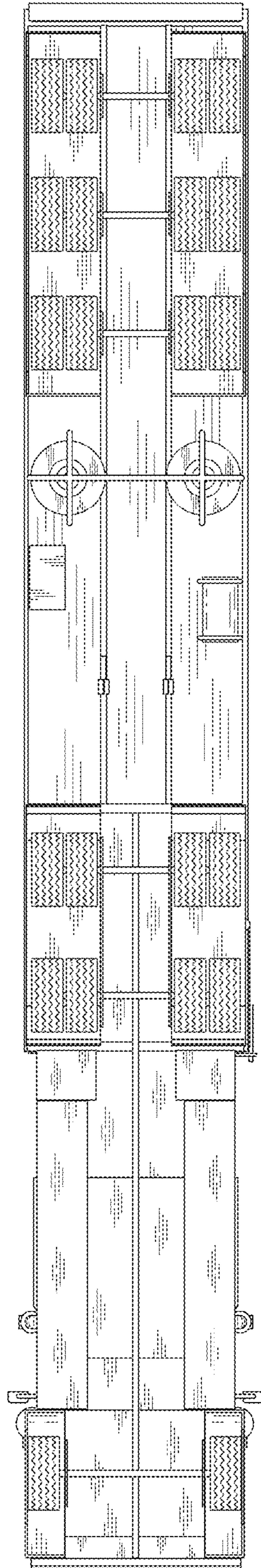


Fig. 7