



US00D943680S

(12) **United States Design Patent** (10) **Patent No.:** **US D943,680 S**  
**Lin** (45) **Date of Patent:** **\*\* Feb. 15, 2022**

(54) **CONNECTING BALL**  
(71) Applicant: **Peiyong Lin**, Shantou (CN)  
(72) Inventor: **Peiyong Lin**, Shantou (CN)  
(\*\*) Term: **15 Years**

8,608,600 B2 \* 12/2013 Naum ..... A63B 43/00  
473/614  
D744,599 S \* 12/2015 Gan ..... D21/504  
D767,105 S 10/2016 Richards et al.  
D832,985 S 11/2018 Lee et al.  
10,327,545 B2 \* 6/2019 McPhillips ..... F16M 13/022  
D857,857 S 8/2019 Lee et al.

(Continued)

(21) Appl. No.: **29/775,844**

(22) Filed: **Mar. 25, 2021**

(51) **LOC (13) Cl.** ..... **21-01**

(52) **U.S. Cl.**  
USPC ..... **D21/498**

(58) **Field of Classification Search**  
USPC ..... D21/484–505  
CPC ..... A63H 33/04; A63H 33/044; A63H 33/06;  
A63H 33/062; A63H 33/086; A63H  
33/088; A63H 33/10; A63H 33/101;  
A63H 33/108; A63H 33/12  
See application file for complete search history.

(56) **References Cited**

**U.S. PATENT DOCUMENTS**

1,092,591 A \* 4/1914 Pajeau ..... A63H 33/00  
446/75  
D241,054 S \* 8/1976 Fortier ..... D21/498  
4,129,975 A \* 12/1978 Gabriel ..... A63H 33/101  
52/655.2  
4,271,628 A \* 6/1981 Barlow ..... A63H 33/108  
434/211  
4,763,459 A \* 8/1988 Wesselski ..... B64G 9/00  
403/171  
4,822,199 A \* 4/1989 Nehls ..... E04B 1/1906  
403/171  
6,637,970 B1 \* 10/2003 Kim ..... E04B 1/24  
403/170  
6,702,640 B1 \* 3/2004 Park ..... A63H 33/04  
446/105  
D563,486 S \* 3/2008 Slater ..... D21/498  
D650,874 S \* 12/2011 Williams ..... D21/713  
D660,664 S \* 5/2012 Hsu ..... D8/25

**OTHER PUBLICATIONS**

Discovery Kids Construction Fort Review, Uploaded on Youtube by Tech-nic-Allie Speaking on May 7, 2016 [online], [site visited Jul. 31, 2021]. Available from Internet: <URL:https://www.youtube.com/watch?v=iuFaLMt4Xcc&t=1s> (Year: 2016).\*

(Continued)

*Primary Examiner* — Cynthia M. Chin  
(74) *Attorney, Agent, or Firm* — Jinggao Li

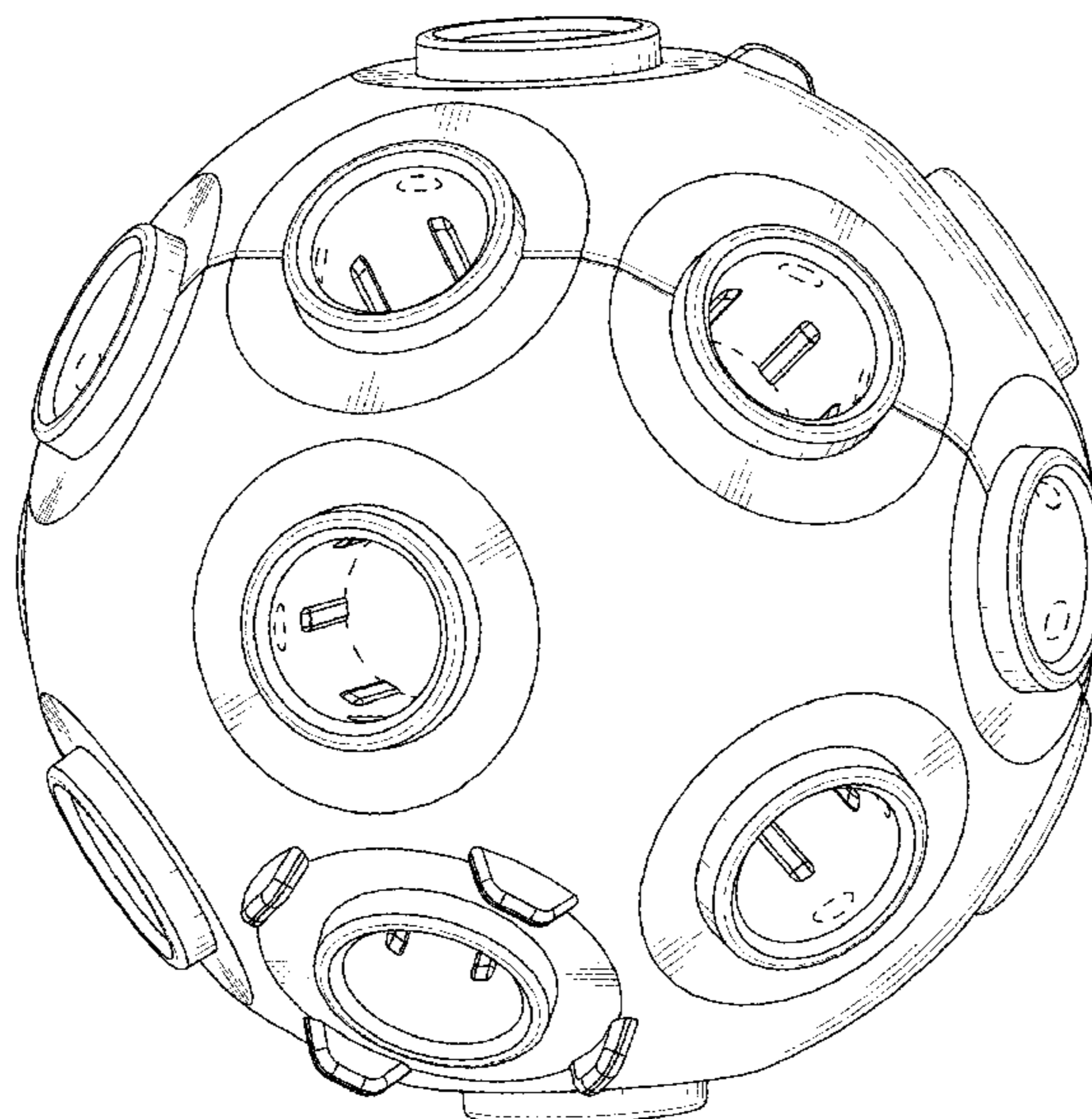
(57) **CLAIM**

The ornamental design for a connecting ball, as shown and described.

**DESCRIPTION**

FIG. 1 is a perspective view of a connecting ball showing my new design;  
FIG. 2 is a front view thereof;  
FIG. 3 is a rear view thereof;  
FIG. 4 is a left side view thereof;  
FIG. 5 is a right side view thereof;  
FIG. 6 is a top plan view thereof;  
FIG. 7 is a bottom plan view thereof; and,  
FIG. 8 is a reduced environmental view showing multiple connecting balls.  
The broken lines in FIG. 1-7 depict portions of the connecting ball that form no part of the claimed design. The broken lines in FIG. 8 depict the environment of the connecting ball and form no part of the claimed design.

**1 Claim, 8 Drawing Sheets**



(56)

**References Cited**

U.S. PATENT DOCUMENTS

10,465,333 B1 \* 11/2019 Baird ..... D06F 59/08  
 10,661,192 B2 \* 5/2020 Moshfeghi-Nejad ... F16B 17/00  
 2002/0151248 A1 \* 10/2002 Hsu ..... A63H 33/108  
 446/126  
 2003/0148699 A1 \* 8/2003 Balanchi ..... A63H 33/108  
 446/85  
 2006/0128257 A1 \* 6/2006 Aggar ..... A63H 33/062  
 446/122  
 2007/0026759 A1 \* 2/2007 Flodin ..... A63H 33/108  
 446/118  
 2009/0093182 A1 \* 4/2009 Jacobs ..... A63H 33/008  
 446/120  
 2010/0009592 A1 \* 1/2010 Fok ..... A63H 33/102  
 446/124  
 2010/0285718 A1 \* 11/2010 Stone ..... A63H 33/108  
 446/124  
 2011/0247464 A1 \* 10/2011 Hsu ..... B25B 13/06  
 81/124.4

2013/0244530 A1 \* 9/2013 Renfro ..... A63H 33/088  
 446/124  
 2017/0282089 A1 \* 10/2017 Wang ..... G09B 5/00  
 2019/0030445 A1 \* 1/2019 Luo ..... A63H 33/062

OTHER PUBLICATIONS

Father & Son Ultimate Fort at the Skatepark! / Fort Kit!, Uploaded on Youtube by AndrewSchrock Mar. 12, 2019 [online], [site visited Jul. 31, 2021]. Available from Internet: <URL:https://www.youtube.com/watch?v=Say-PiRriis> (Year: 2019).\*

Crazy Forts, Purple, 69 Pieces, Reviewed and available online as early as Jan. 11, 2011 [online], [site visited Jul. 31, 2021]. Available from Internet: <URL:https://www.amazon.com/Crazy-Forts-Purple-69-pieces/dp/B001DNHYC0/> (Year: 2011).\*

Obuby Kids Fort Building Kit, Reviewed and available online as early as May 31, 2020 [online], [site visited Jul. 31, 2021]. Available from Internet: <URL:https://www.amazon.com/Obuby-Construction-Building-Ultimate-Builder/dp/B087R4RD1Z/> (Year: 2020).\*

\* cited by examiner

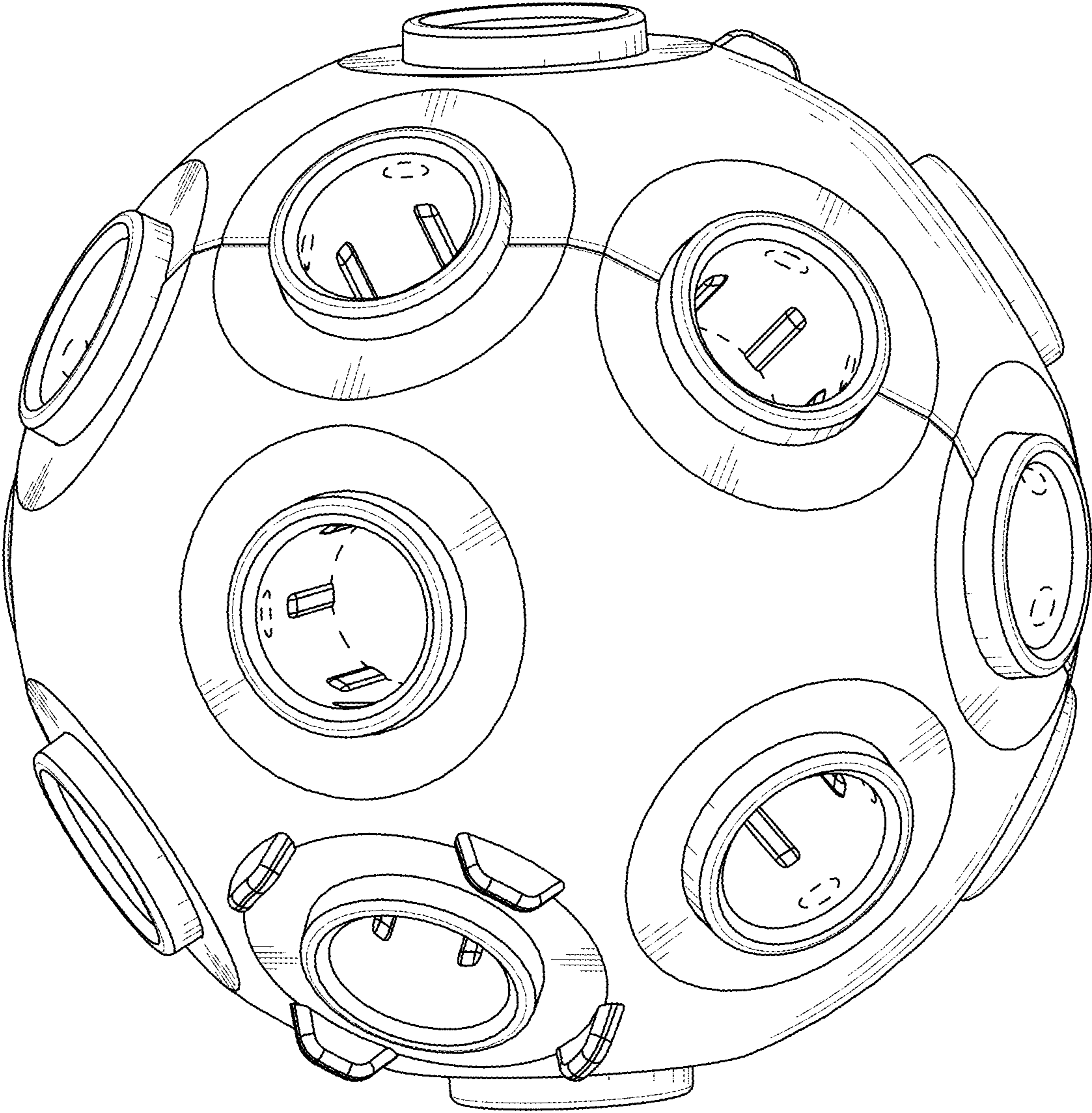


FIG. 1

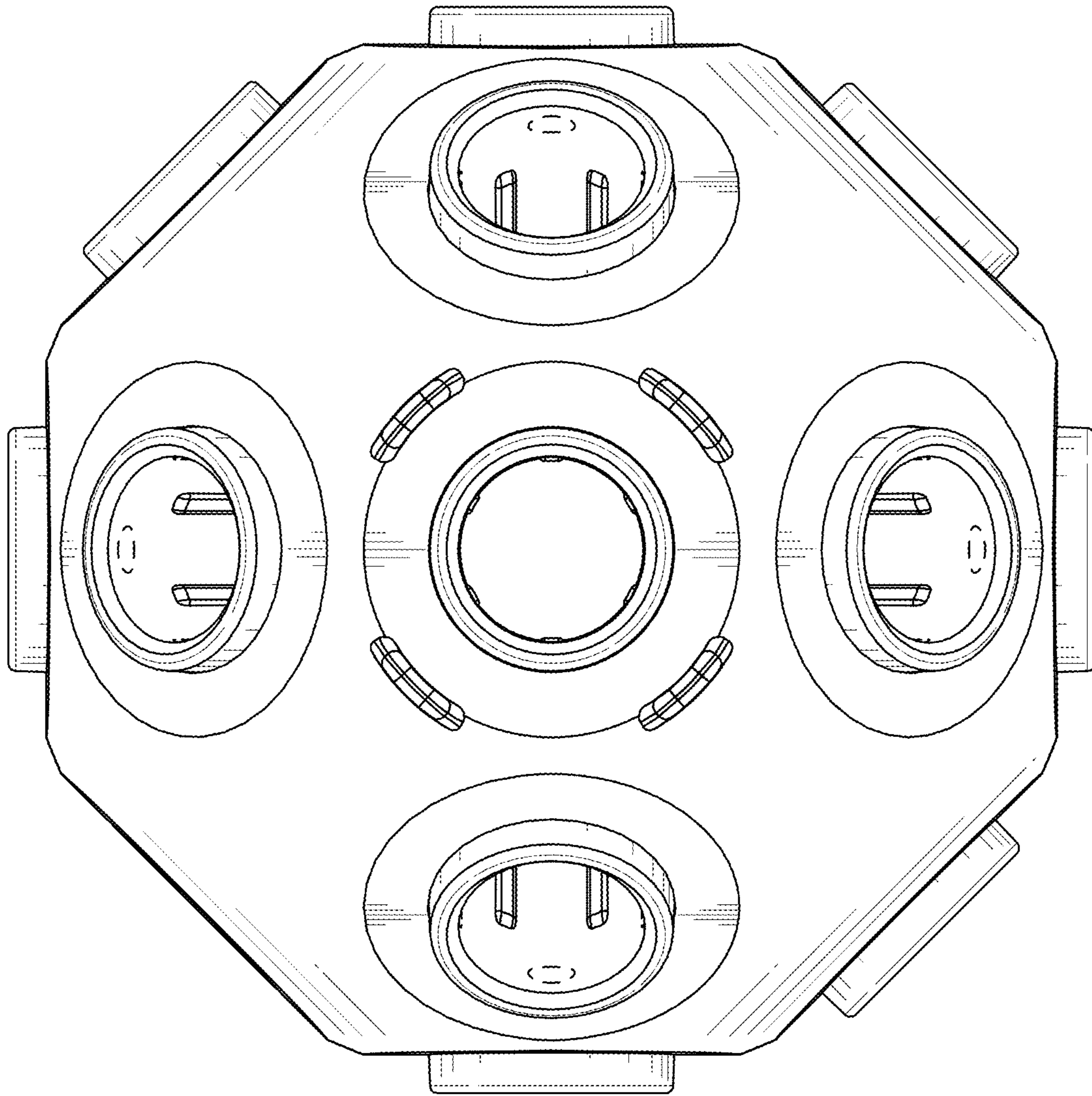


FIG. 2

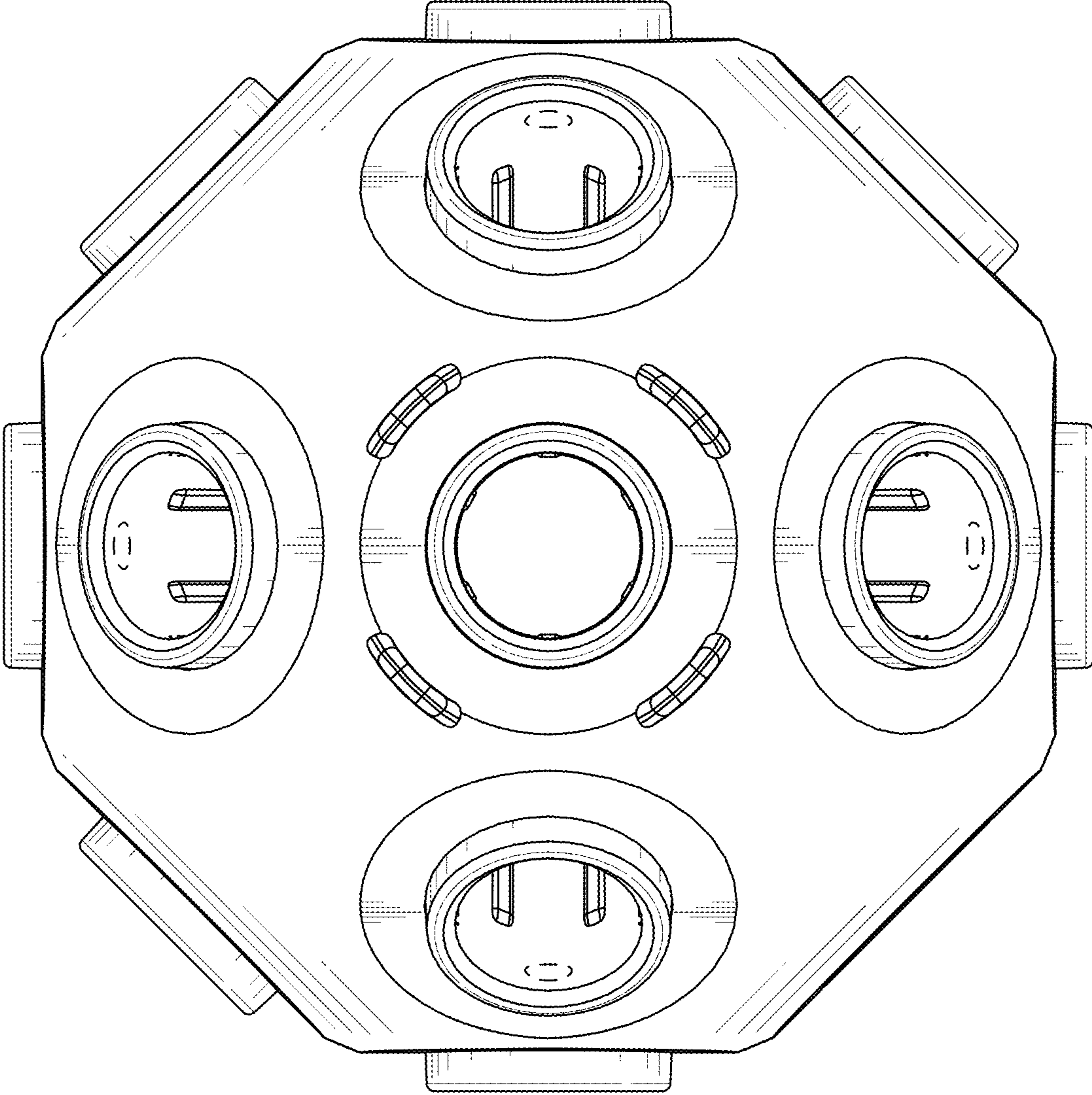


FIG. 3

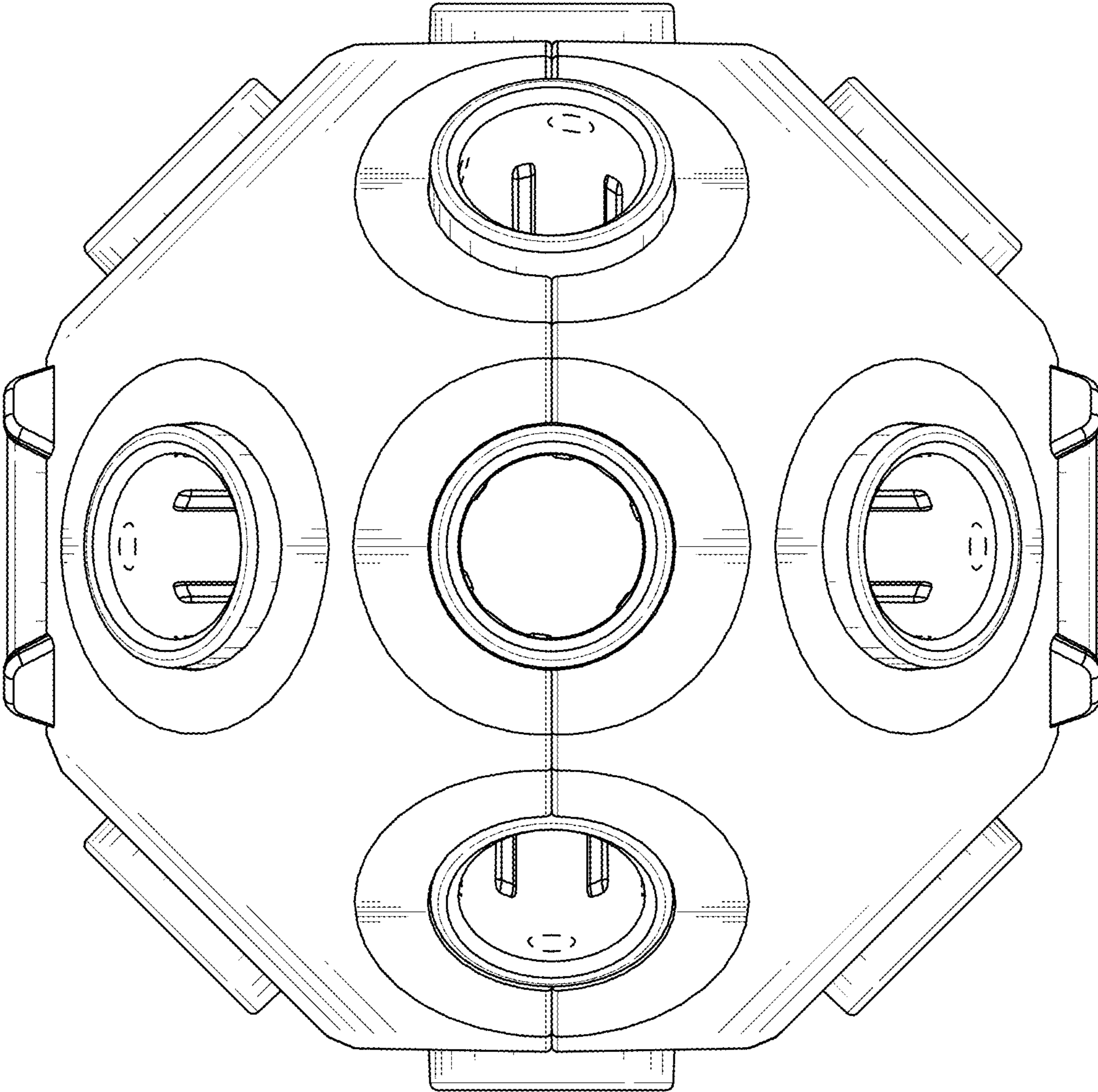


FIG. 4

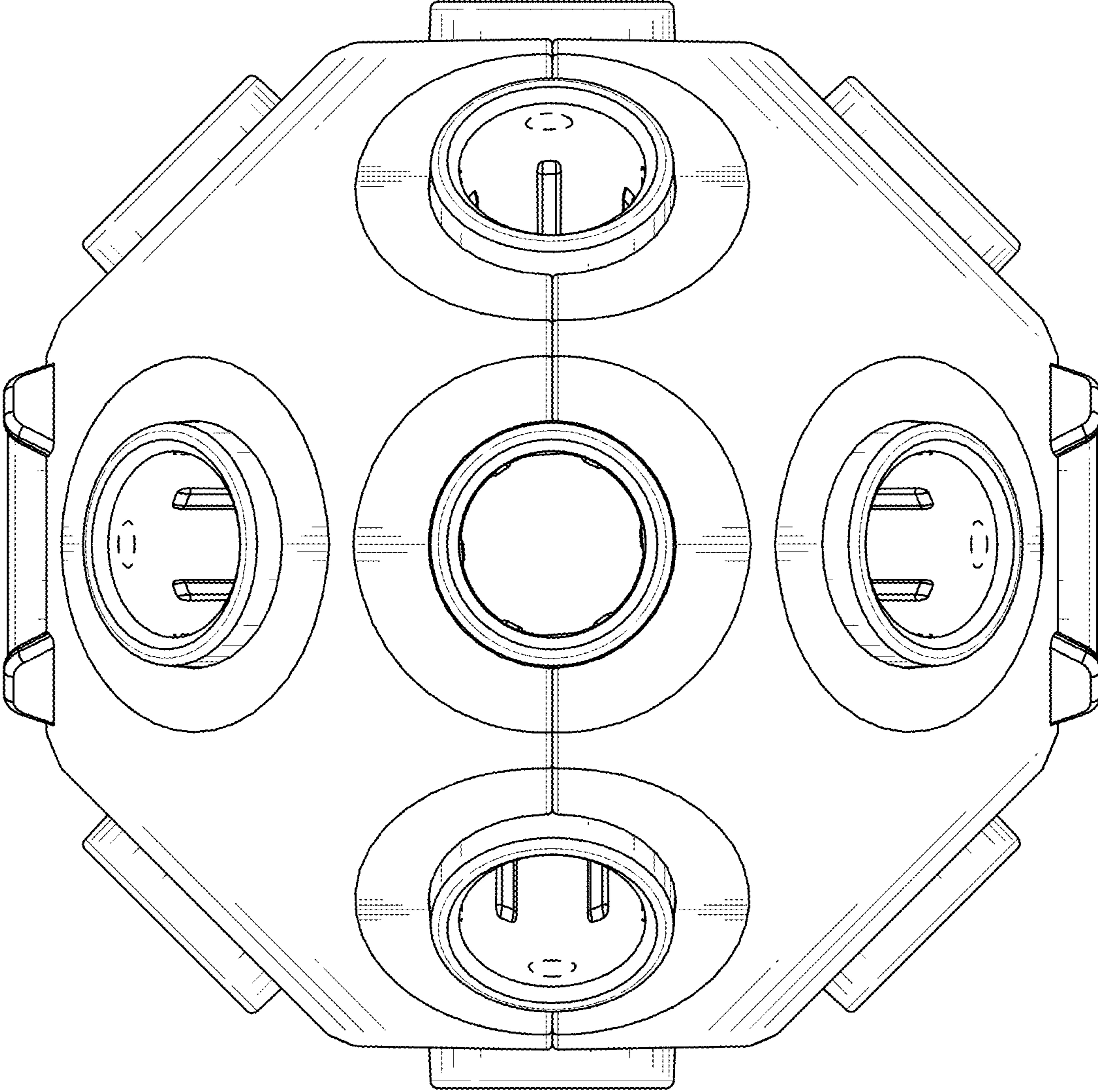


FIG. 5

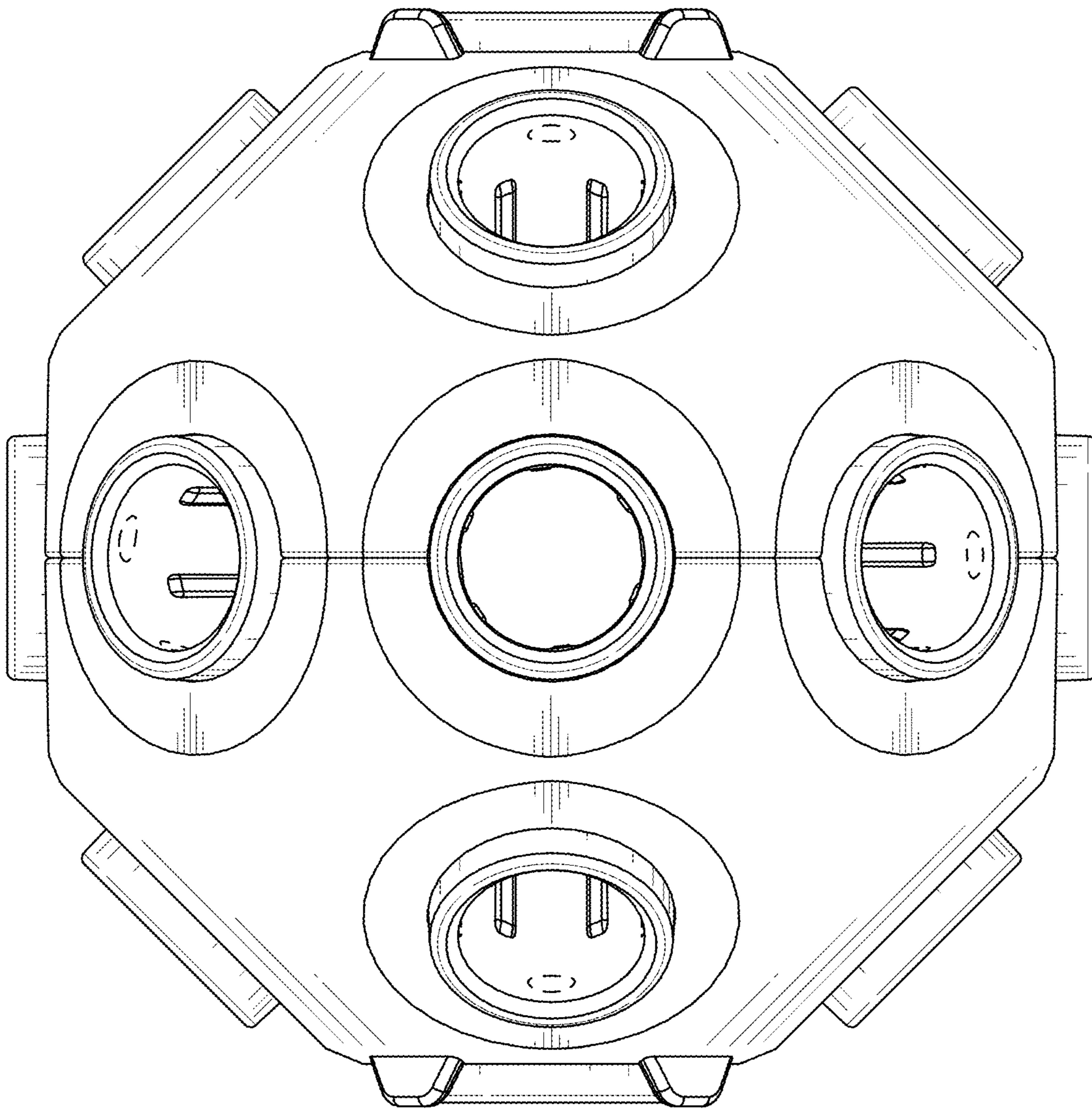


FIG. 6



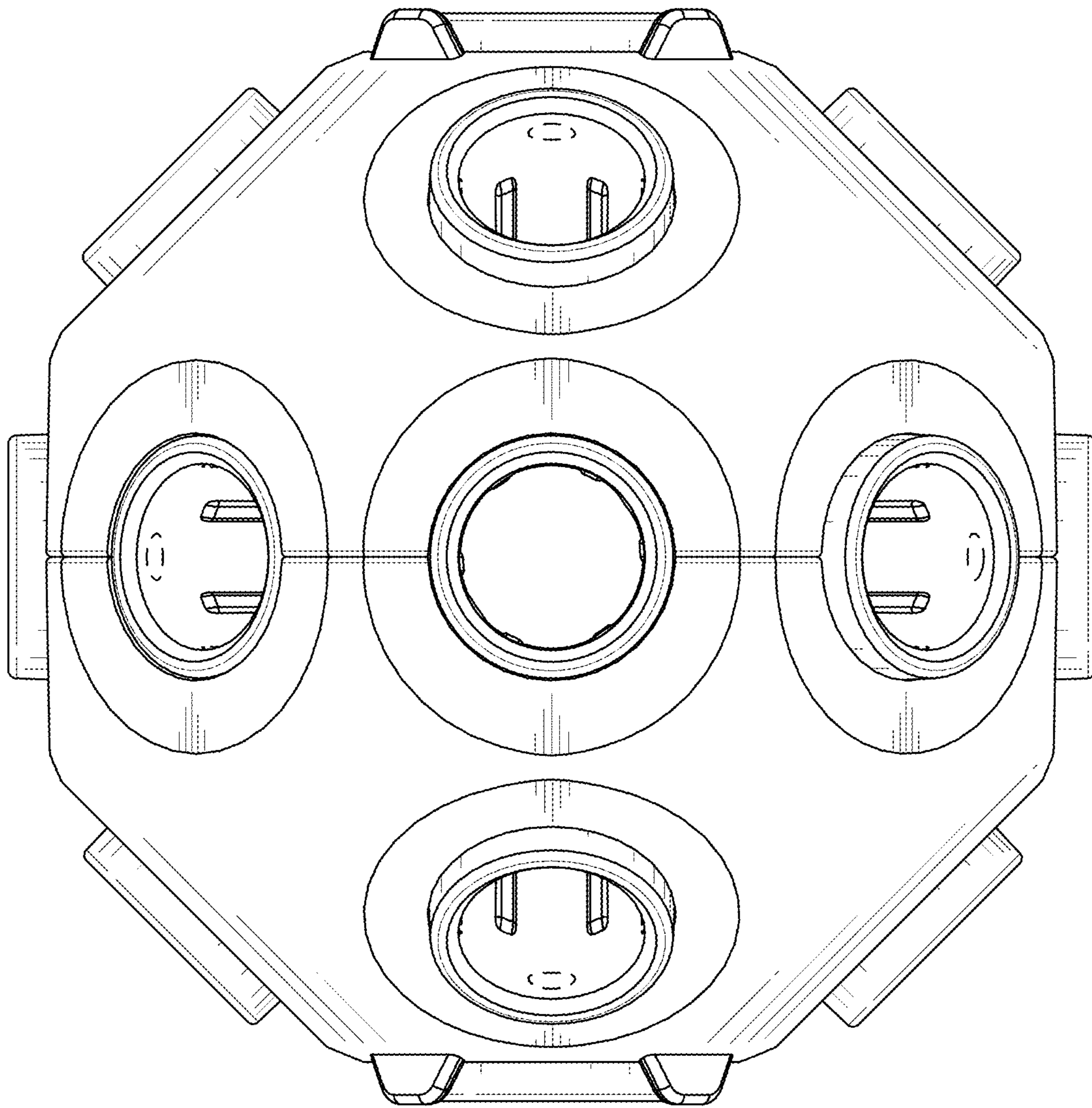


FIG. 7

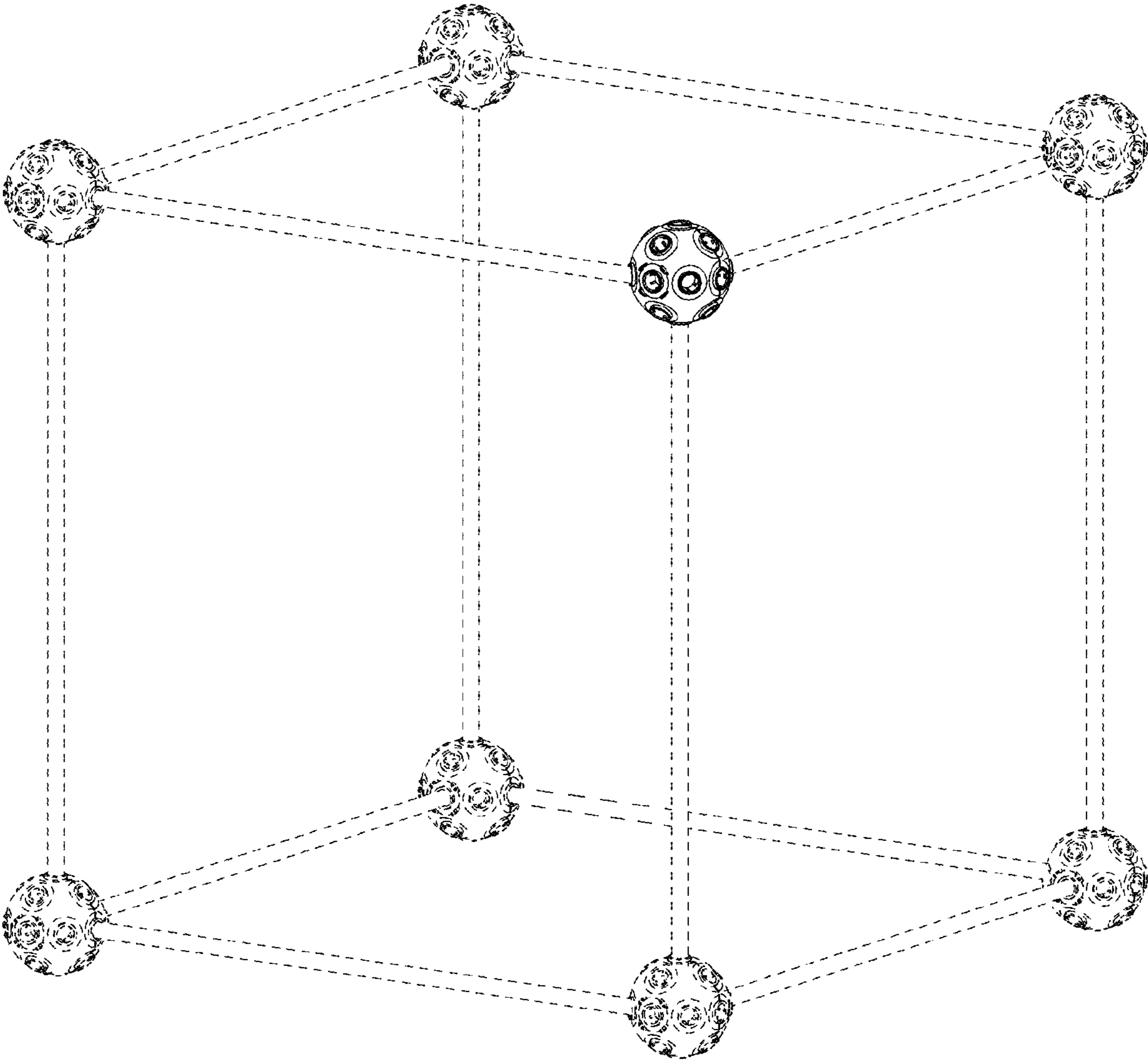


FIG. 8