



US00D943673S

(12) **United States Design Patent** (10) **Patent No.:** **US D943,673 S**
You et al. (45) **Date of Patent:** **** Feb. 15, 2022**

(54) **DIGITAL SIGNAGE**

(56) **References Cited**

(71) Applicant: **LG ELECTRONICS INC.**, Seoul (KR)

U.S. PATENT DOCUMENTS

(72) Inventors: **Hyunhee You**, Seoul (KR); **Yoonkyeong Lee**, Seoul (KR); **Yongho Lee**, Seoul (KR); **Jaewon Lim**, Seoul (KR)

D405,473	S	*	2/1999	Tikhonski	D20/42
D452,710	S	*	1/2002	Ragot	D20/10
D455,788	S	*	4/2002	Gentelia	D20/10
D576,683	S	*	9/2008	Frey	D20/10
D577,075	S	*	9/2008	Bode	D20/21
D637,651	S	*	5/2011	Hase	D20/42
D670,343	S	*	11/2012	Byford	D20/43
D729,755	S	*	5/2015	McManigal	D14/126
D729,793	S	*	5/2015	Hickok	D14/336
D766,856	S	*	9/2016	Moon	D14/126
D774,485	S	*	12/2016	Kano	D14/126
D776,202	S	*	1/2017	Zenoff	D20/42
D778,366	S	*	2/2017	Kott	D20/43
D797,692	S	*	9/2017	Lee	D14/126
D798,833	S	*	10/2017	Lee	D14/126
D800,724	S	*	10/2017	Lammens	D14/371
D805,047	S	*	12/2017	Dry	D14/126

(73) Assignee: **LG ELECTRONICS INC.**, Seoul (KR)

(**) Term: **15 Years**

(21) Appl. No.: **35/510,551**

(22) Filed: **Apr. 10, 2020**

(Continued)

(80) **Hague Agreement Data**

Int. Filing Date: **Apr. 10, 2020**
Int. Reg. No.: **DM/207595**
Int. Reg. Date: **Apr. 10, 2020**
Int. Reg. Pub. Date: **Oct. 16, 2020**

Primary Examiner — Mary Ann Calabrese

Assistant Examiner — Catherine Ho

(74) *Attorney, Agent, or Firm* — Birch, Stewart, Kolasch & Birch, LLP

(30) **Foreign Application Priority Data**

Oct. 24, 2019 (KR) 30-2019-0050488

(51) **LOC (13) Cl.** **20-03**

(52) **U.S. Cl.**
USPC **D20/39**

(58) **Field of Classification Search**
USPC D14/125, 126, 127, 128, 129, 307, 371;
D20/10, 11, 19, 22, 23, 26, 27, 28, 29,
D20/39, 41, 42, 43, 99
CPC G09F 1/00; G09F 1/08; G09F 5/00; G09F
5/02; G09F 7/00; G09F 19/00; G09F
23/00; G09F 27/00; G09F 21/00; G09F
21/06; G09F 21/08; Y10S 362/812; A47F
3/00; A47F 8/00; A47F 11/00
See application file for complete search history.

(57) **CLAIM**

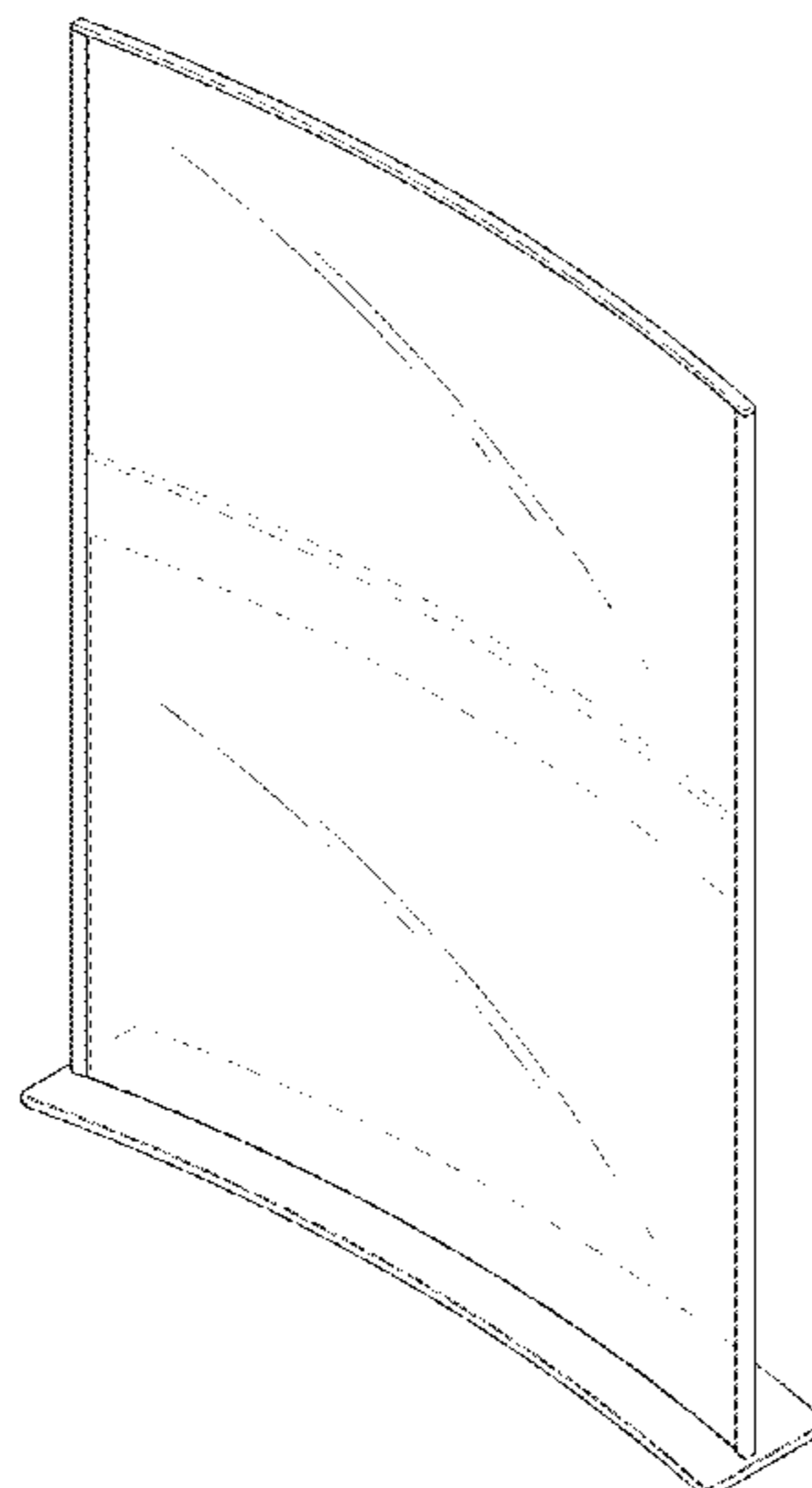
The ornamental design for a digital signage, as shown and described.

DESCRIPTION

- 1. Digital signage
- 1.1 : Perspective
- 1.2 : Front
- 1.3 : Back
- 1.4 : Left
- 1.5 : Right
- 1.6 : Top
- 1.7 : Bottom

The subject design is a digital signage in which the transparent curved display is coupled to the upper portion of the transparent stand.

1 Claim, 7 Drawing Sheets



(56)

References Cited

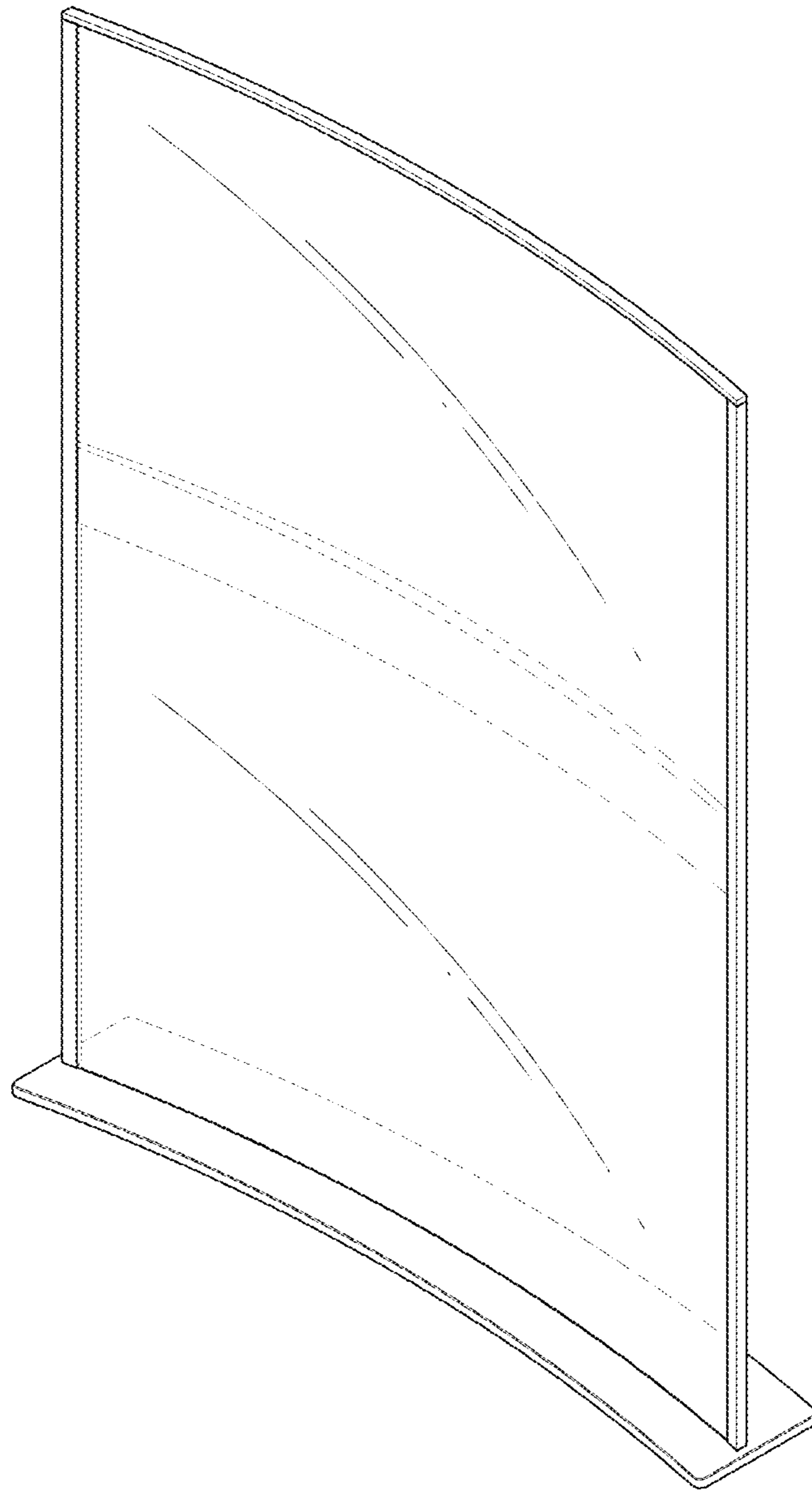
U.S. PATENT DOCUMENTS

D805,488 S * 12/2017 Dry D14/126
 D805,489 S * 12/2017 Dry D14/126
 D817,954 S * 5/2018 Boesiger D14/371
 D824,353 S * 7/2018 Won D14/126
 D832,926 S * 11/2018 Long D20/10
 D837,786 S * 1/2019 Okumura D14/371
 D842,857 S * 3/2019 Kimura D14/371
 D846,028 S * 4/2019 Svihilik D20/42
 D848,529 S * 5/2019 Lee D20/10
 D850,532 S * 6/2019 Lee D20/41
 D853,493 S * 7/2019 Lee D20/41
 D860,319 S * 9/2019 Beruto D20/10
 D863,441 S * 10/2019 Hwang D20/39
 D867,456 S * 11/2019 Hwang D20/10
 D870,205 S * 12/2019 Kim D20/10
 D871,358 S * 12/2019 Kim D14/126
 D873,821 S * 1/2020 Song D14/371
 D886,196 S * 6/2020 Lee D20/39
 D886,902 S * 6/2020 Lee D20/39
 D888,680 S * 6/2020 Kim D14/126

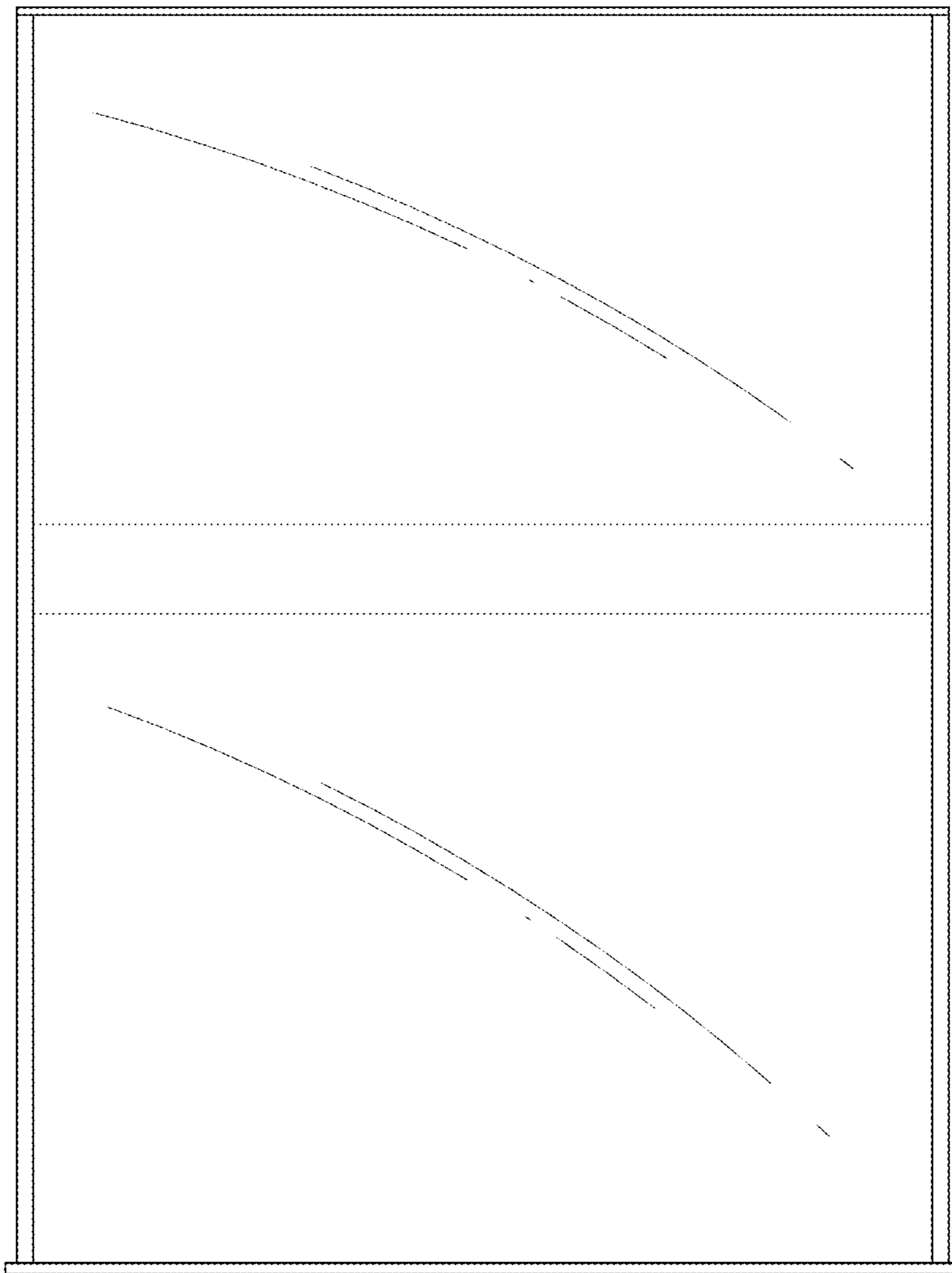
D896,194 S * 9/2020 Kim D14/126
 D900,045 S * 10/2020 Jung D14/126
 D900,046 S * 10/2020 Jung D14/126
 D900,768 S * 11/2020 Kim D14/126
 D913,374 S * 3/2021 Lee D20/41
 D915,315 S * 4/2021 Ho D14/126
 D916,042 S * 4/2021 Lim D14/126
 10,990,469 B2 * 4/2021 Lee G11B 27/36
 D918,850 S * 5/2021 Shim B64D 11/00154
 D14/126
 D919,586 S * 5/2021 Lim B64D 11/00154
 D14/126
 D920,428 S * 5/2021 Casillas D19/26
 D920,432 S * 5/2021 Lee D20/42
 D920,433 S * 5/2021 Hwang D20/42
 D920,434 S * 5/2021 Hwang D20/42
 D920,940 S * 6/2021 Lee H04N 5/64
 D14/126
 D921,757 S * 6/2021 Lee D20/39
 D922,972 S * 6/2021 Park D14/126
 2013/0135804 A1 * 5/2013 Takechi H05K 5/0017
 361/679.01

* cited by examiner

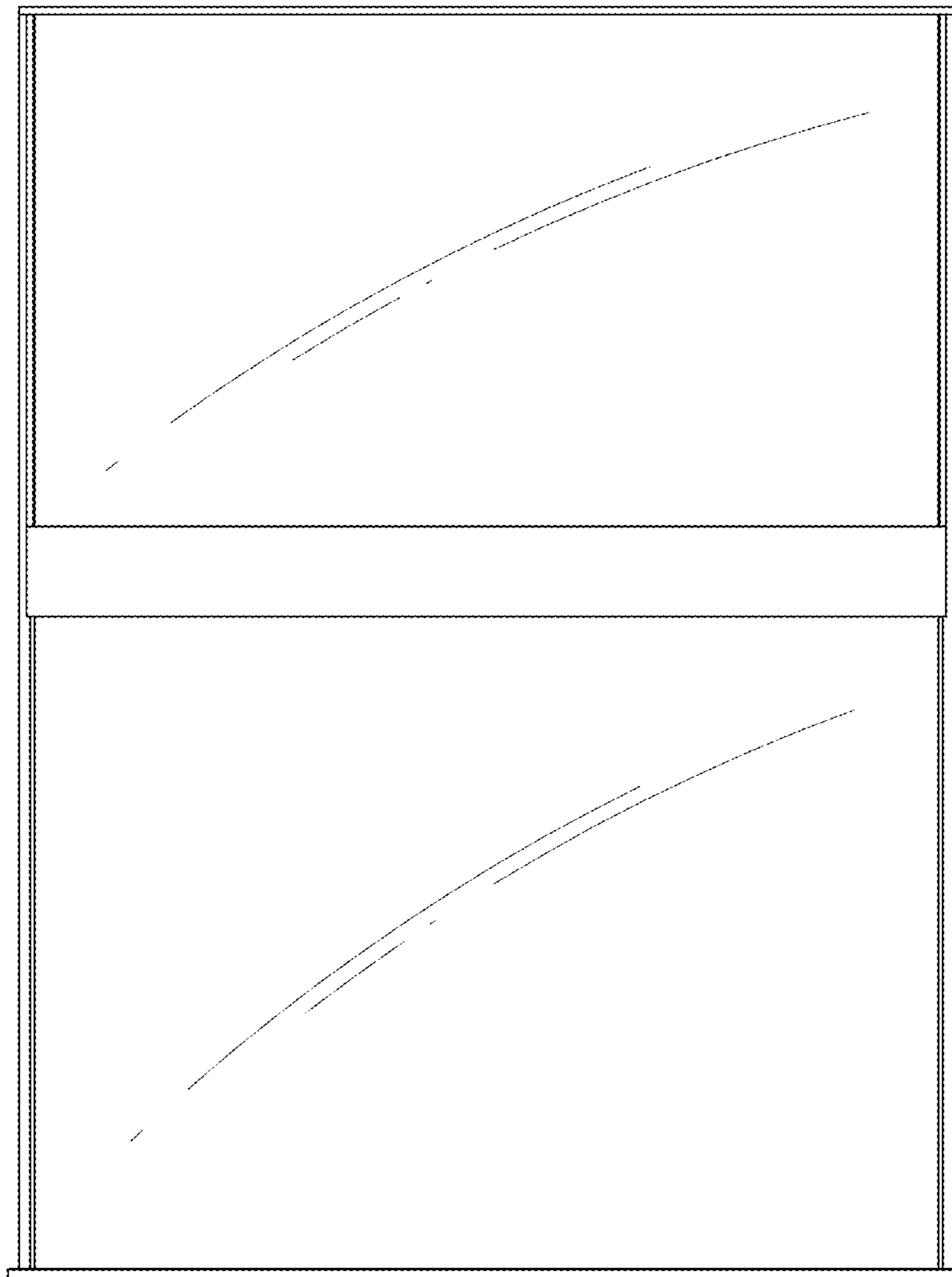
1.1



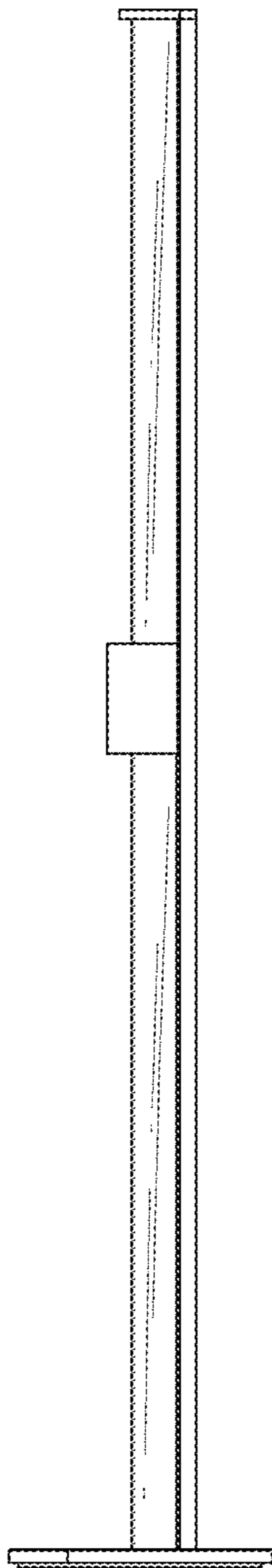
1.2



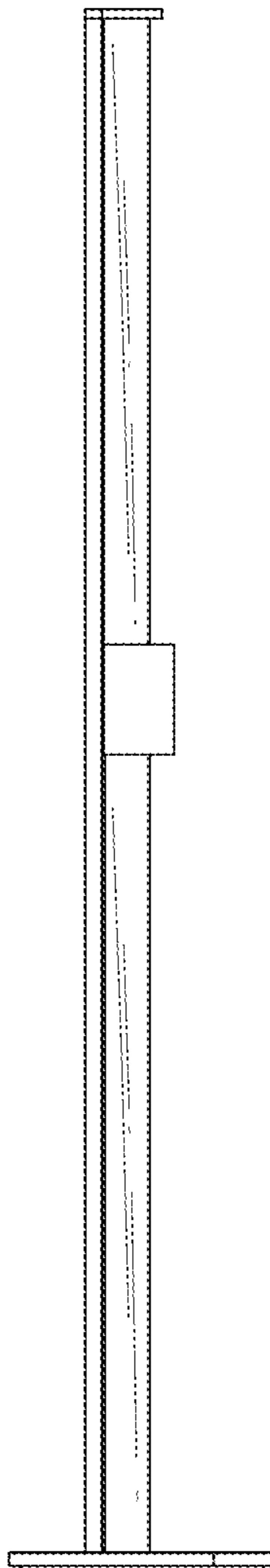
1.3



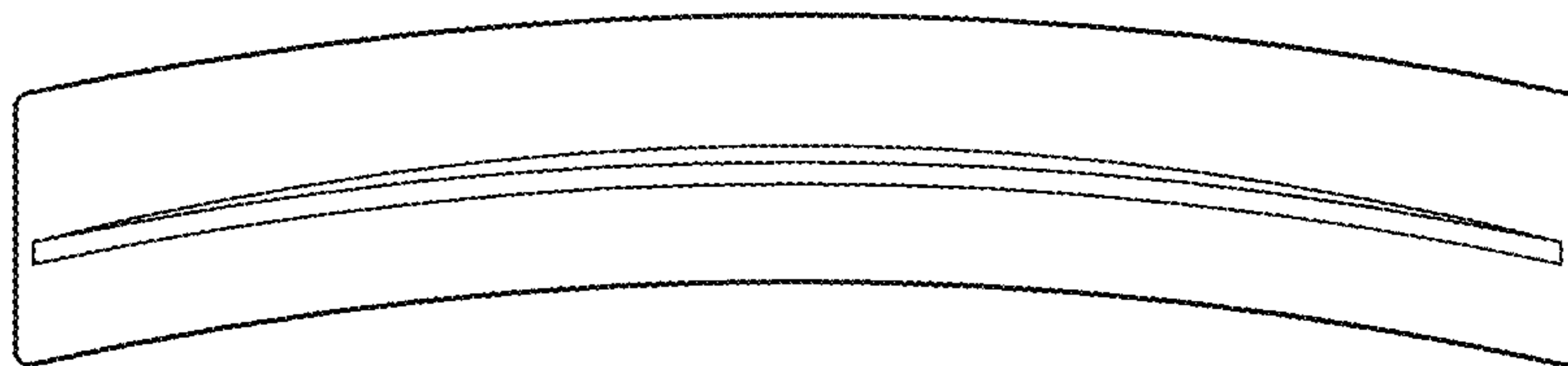
1.4



1.5



1.6



1.7

