

US00D943667S

(12) **United States Design Patent** (10) **Patent No.:** **US D943,667 S**  
**Fontaine** (45) **Date of Patent:** **\*\* Feb. 15, 2022**

(54) **FILAMENT BOX**  
(71) Applicant: **Stacker LLC**, Plymouth, MN (US)  
(72) Inventor: **Norston Fontaine**, Plymouth, MN (US)  
(73) Assignee: **STACKER L.L.C.**, Plymouth, MN (US)

(\*\*) Term: **15 Years**

(21) Appl. No.: **29/719,605**

(22) Filed: **Jan. 6, 2020**

(51) **LOC (13) Cl.** ..... **18-02**

(52) **U.S. Cl.**  
USPC ..... **D18/56**

(58) **Field of Classification Search**  
USPC ..... D13/101, 110, 118, 184, 199; D18/35, D18/40, 43, 50, 56, 58; D14/475, 483; D15/122, 138, 139  
CPC ..... B41J 2/17513; B41J 2/17523; B41J 2/17556; B65H 55/00; B33Y 40/00  
See application file for complete search history.

(56) **References Cited**

U.S. PATENT DOCUMENTS

4,772,073 A \* 9/1988 Lewis, Jr. .... A46D 1/08 222/161  
D650,787 S \* 12/2011 Taatjes ..... D14/475  
D725,519 S \* 3/2015 Drew ..... D10/75  
D742,439 S \* 11/2015 Kraibuhler ..... D15/122  
D761,110 S \* 7/2016 Hart ..... D9/524  
D788,195 S \* 5/2017 Liu ..... D15/122

D798,382 S \* 9/2017 Smith ..... D18/56  
D829,277 S \* 9/2018 Seki ..... D18/50  
D832,319 S \* 10/2018 Muthuswamy ..... D15/139  
D854,079 S \* 7/2019 Tsiopanos ..... D18/50  
2004/0051766 A1\* 3/2004 Miyazawa ..... B41J 2/17523 347/86  
2007/0001050 A1\* 1/2007 Taatjes ..... B29C 64/25 242/598.6

\* cited by examiner

*Primary Examiner* — Derrick E Holland

(74) *Attorney, Agent, or Firm* — Craige Thompson; Thompson Patent Law; Timothy D. Snowden

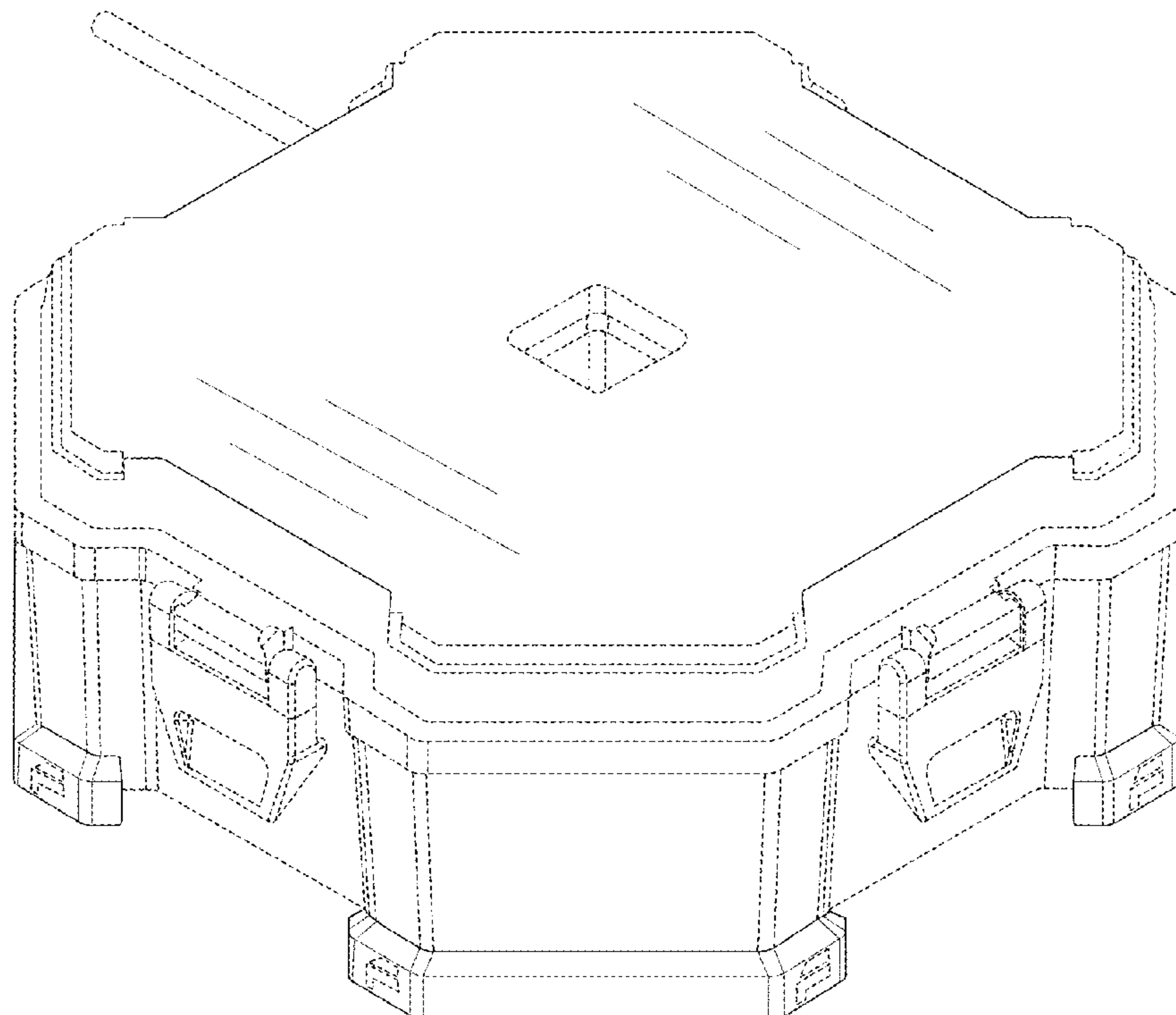
(57) **CLAIM**

The ornamental design for a filament box, as shown and described.

**DESCRIPTION**

FIG. 1 is a front, top, and right perspective view of a filament box showing the new design;  
FIG. 2 is a front elevation view of the filament box of FIG. 1;  
FIG. 3 is a right side elevation view of the filament box of FIG. 1;  
FIG. 4 is a back side elevation view of the filament box of FIG. 1; and  
FIG. 5 is a left side elevation view of the filament box of FIG. 1;  
FIG. 6 is a top plan view of the filament box of FIG. 1; and, FIG. 7 is a bottom plan view of the filament box of FIG. 1. The broken lines shown represent portions of the filament box that form no part of the claimed design.

**1 Claim, 7 Drawing Sheets**



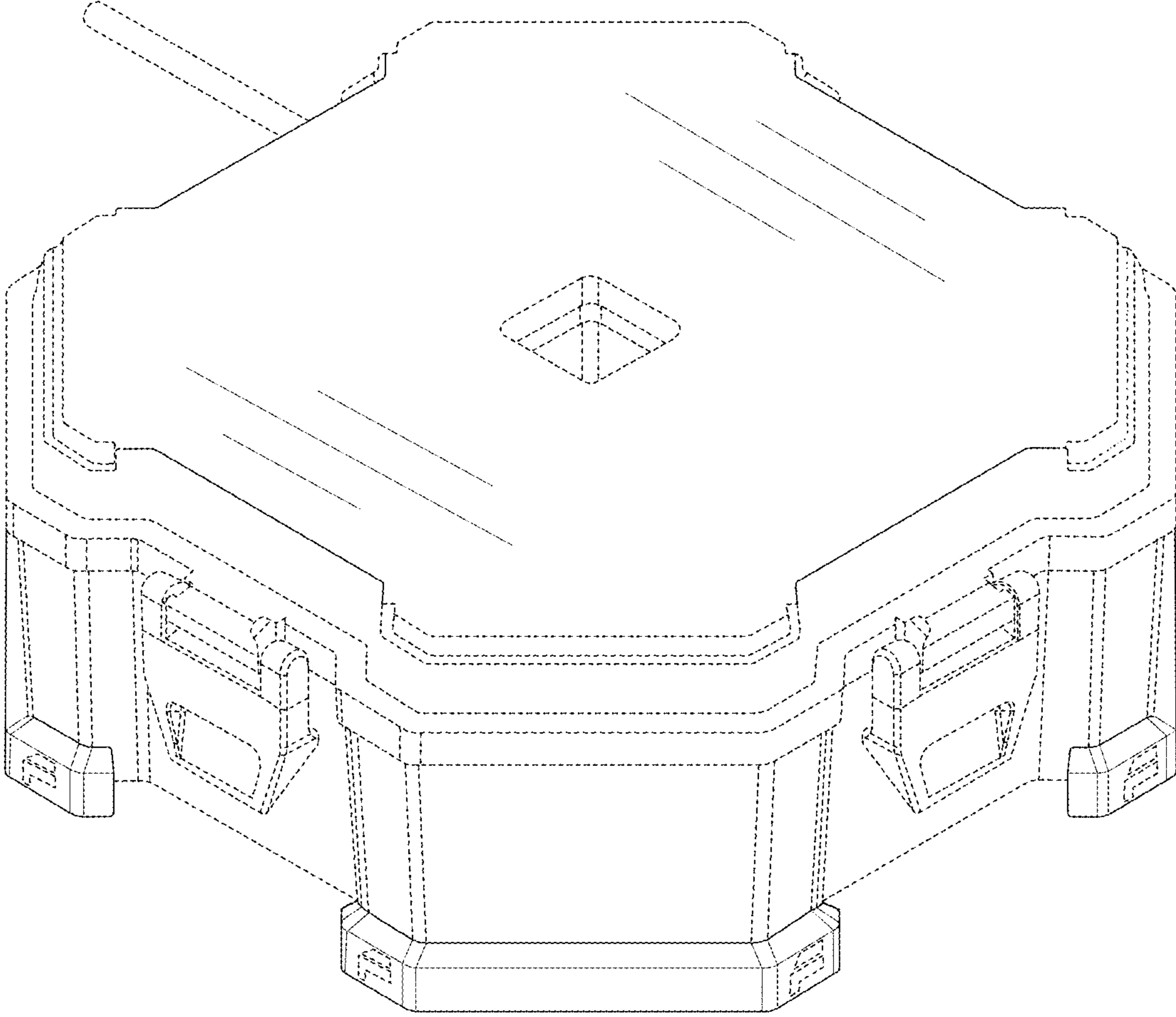


FIG. 1

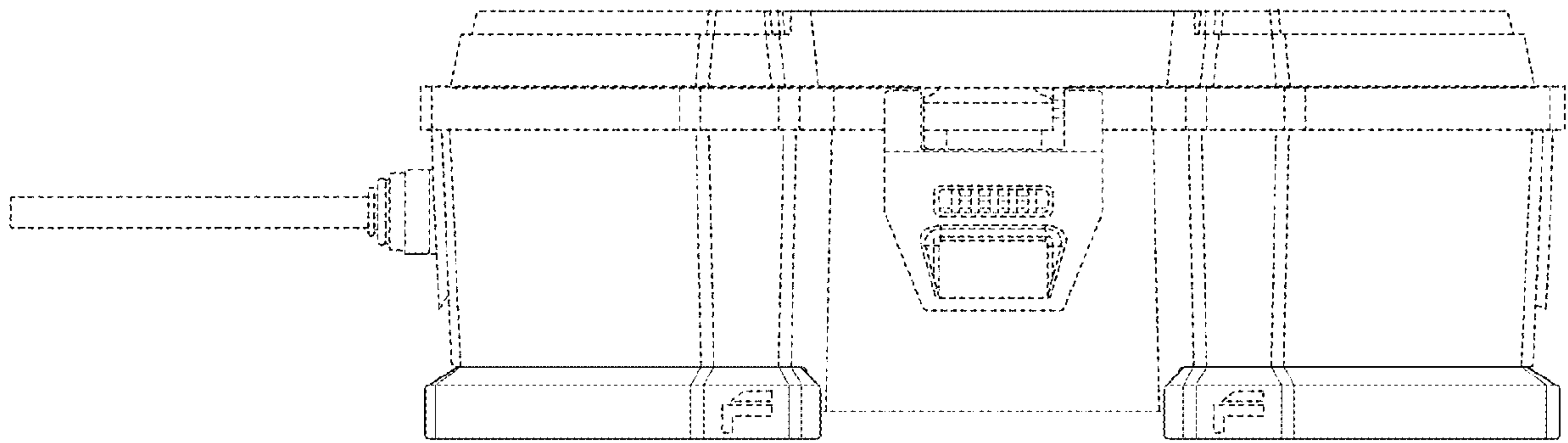


FIG. 2

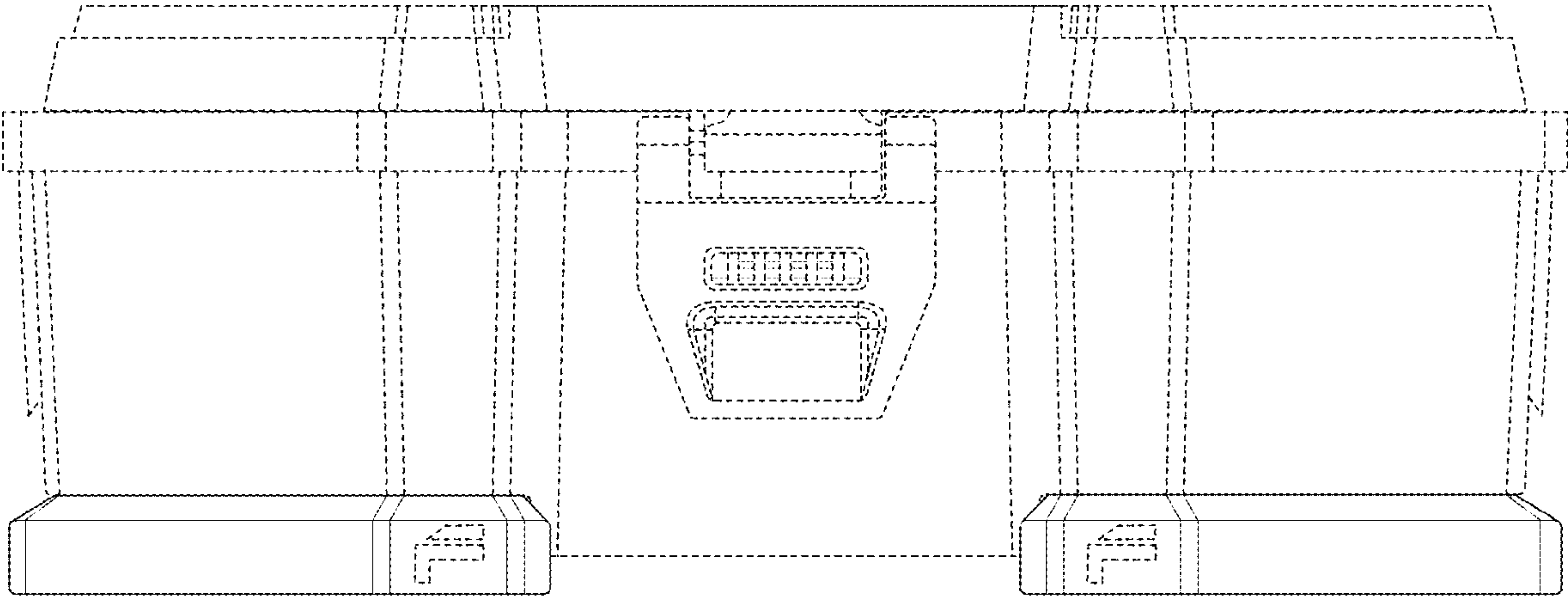


FIG. 3

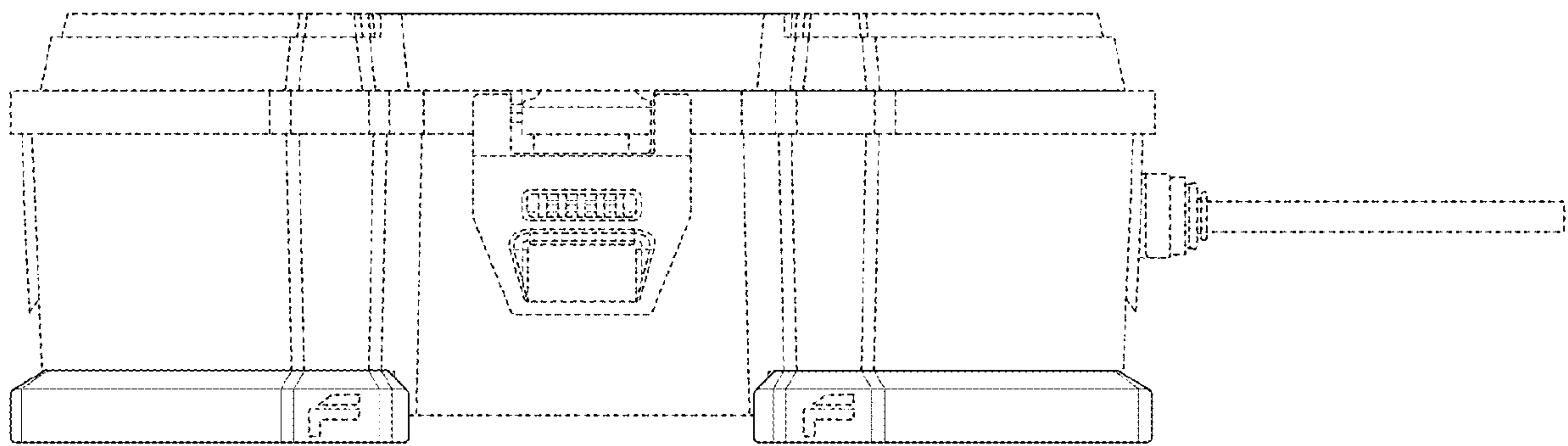


FIG. 4

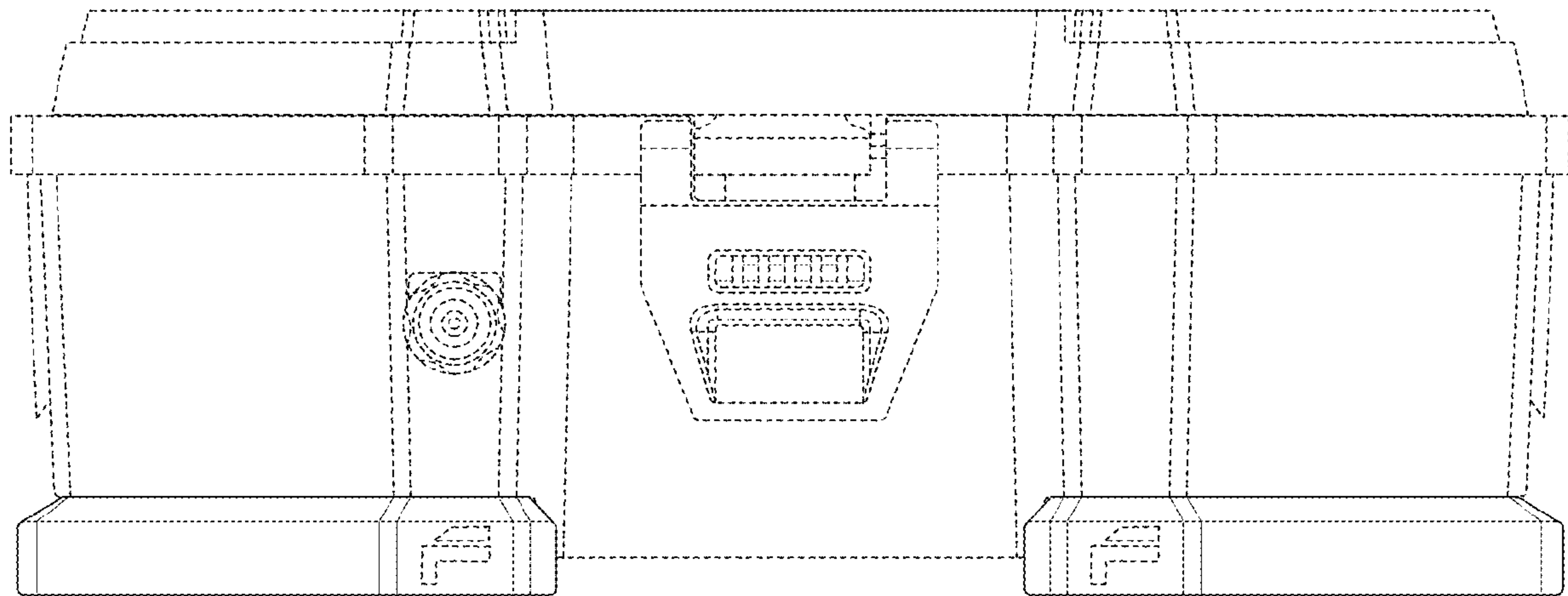


FIG. 5

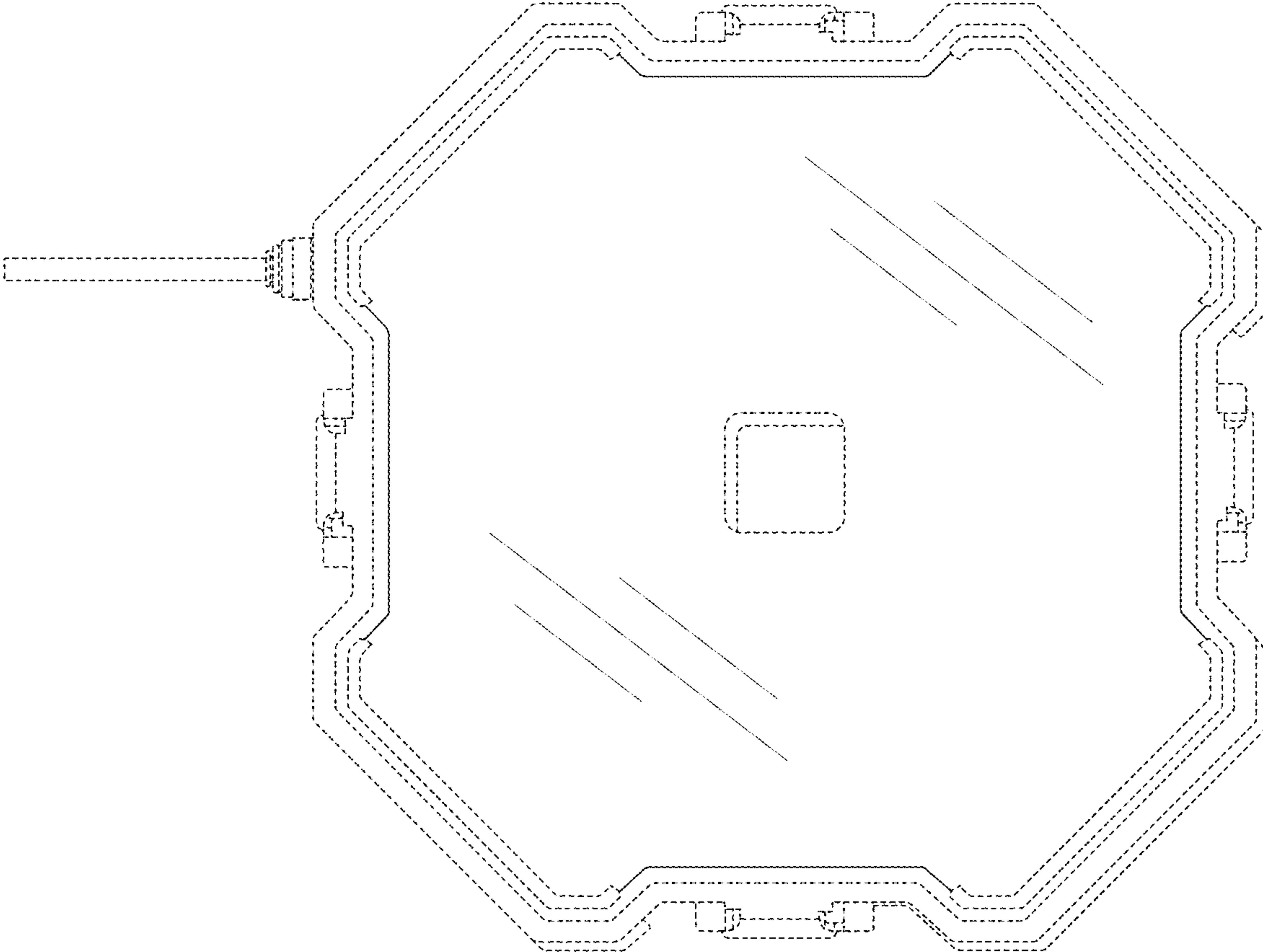


FIG. 6



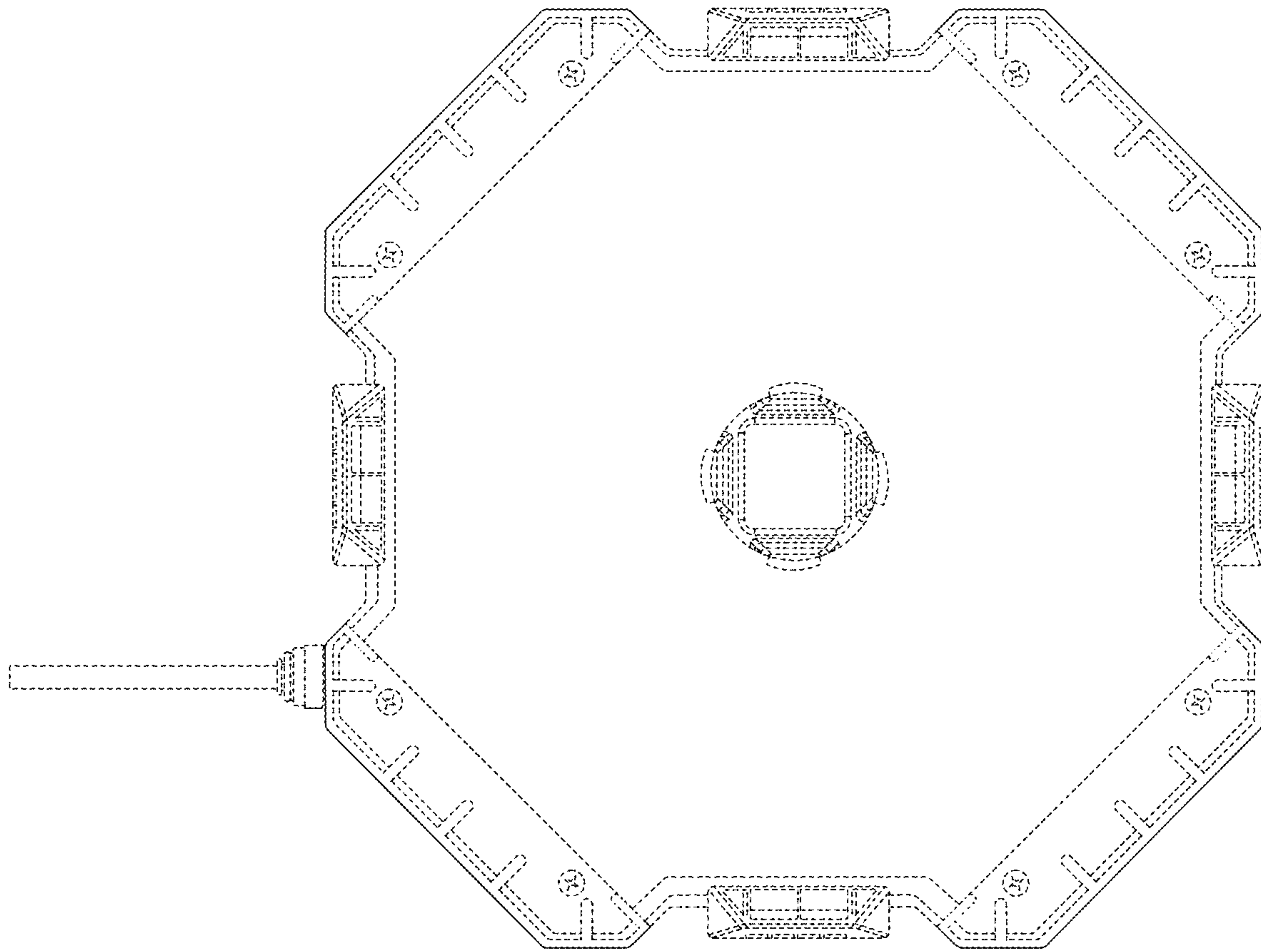


FIG. 7