



US00D943662S

(12) **United States Design Patent**
Wang

(10) **Patent No.:** **US D943,662 S**
(45) **Date of Patent:** **** Feb. 15, 2022**

(54) **PRINTER**
(71) Applicant: **Rhemel (Shenzhen) E-Commerce Co., Ltd.**, Guangdong (CN)

D894,264 S * 8/2020 Sarro D18/19
D900,214 S * 10/2020 Sun D18/19
D915,505 S * 4/2021 Isobe D18/19
(Continued)

(72) Inventor: **Lei Wang**, Guangdong (CN)
(73) Assignee: **Rhemel (Shenzhen) E-Commerce Co., Ltd.**, Guangdong (CN)

FOREIGN PATENT DOCUMENTS

CN 301634138 * 8/2011
CN 301672483 * 9/2011
(Continued)

(**) Term: **15 Years**

OTHER PUBLICATIONS

(21) Appl. No.: **29/809,109**
(22) Filed: **Sep. 24, 2021**
(51) **LOC (13) Cl.** **18-99**
(52) **U.S. Cl.**
USPC **D18/19**
(58) **Field of Classification Search**
USPC D18/12, 14, 15, 16, 17, 18, 19, 36, 37,
D18/38, 39, 40, 41, 45, 54, 55, 50, 53,
D18/43, 56; D19/65, 66, 67, 68, 69, 70,
D19/71; D14/301, 307, 121
CPC H04N 1/00204; H04N 1/00249; H04N
1/00278; G06K 15/12; G06K 15/14; B41J
3/00; B41J 3/28; B41J 3/445; B41J 3/46;
B41J 11/0045; B41J 2/3358; B41J 3/36;
B41J 3/382
See application file for complete search history.

The Smart Choice printers. Link: <https://www.dishabarcodes.com/pdf/244%20pro%20TSC.pdf>. Visited Nov. 22, 2021. TTP-244 Pro Bar Code Printer. (Year: 2021).*
(Continued)

Primary Examiner — Lauren D McVey
(74) *Attorney, Agent, or Firm* — True Shepherd, LLC;
Andrew C. Cheng

(57) **CLAIM**

The ornamental design for a printer, as shown and described.

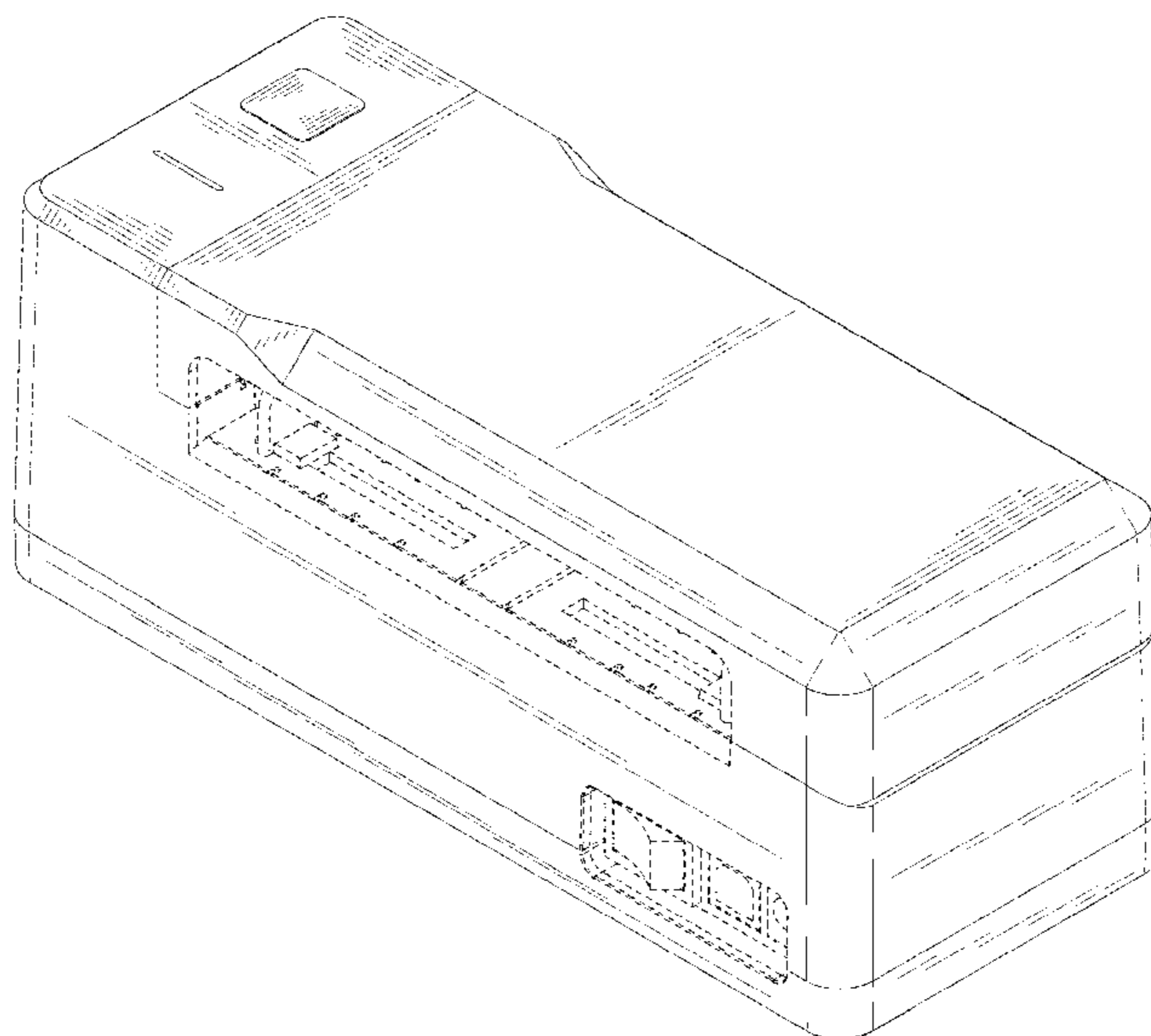
DESCRIPTION

FIG. 1 is a front, right and top perspective view of a printer, showing my design.
FIG. 2 is a rear, left and bottom perspective view thereof.
FIG. 3 is a front elevation view thereof.
FIG. 4 is a rear elevation view thereof.
FIG. 5 is a left side elevation view thereof.
FIG. 6 is a right side elevation view thereof.
FIG. 7 is a top plan view thereof; and,
FIG. 8 is a bottom plan view thereof.
The broken lines immediately adjacent to the shaded areas depict the bounds of the claimed design, while all other broken lines are directed to portions of the printer that form no part of the claimed design.

(56) **References Cited**
U.S. PATENT DOCUMENTS

D246,137 S * 10/1977 Bartlmae D18/14
D263,142 S * 2/1982 Nishi D18/54
D293,113 S * 12/1987 Foy D18/54
D293,246 S * 12/1987 Moore D18/54
D427,627 S * 7/2000 Ikenaga D18/50
D535,324 S * 1/2007 Park D18/50
D643,039 S * 8/2011 Wilday D14/422
D815,198 S * 4/2018 Faro D18/50
D827,020 S * 8/2018 Yoon D18/50
D892,920 S * 8/2020 Nakatani D18/19

1 Claim, 8 Drawing Sheets



(56)

References Cited

U.S. PATENT DOCUMENTS

D926,876 S 8/2021 Odachi
D927,588 S 8/2021 Ishida et al.

FOREIGN PATENT DOCUMENTS

CN 303711362 * 6/2016
CN 305327441 * 8/2019
CN 306093581 * 10/2020
CN 306350678 * 2/2021

OTHER PUBLICATIONS

Rongtatech. Link: https://www.rongtatech.com/rp400-thermal-transfer-barcode-label-printer_p35.html. Visited Nov. 22, 2021. RP400 Thermal Transfer Barcode Label Printer (Year: 2021).*

Amazon. Link: https://www.amazon.com/Asmvt-Shipping-Packages-Business-Compatible/dp/B09CCKKYJB/ref=sr_1_2?keywords=B09CCKKYJB&qid=1637590533&qsid=133-7004299-7296243&s=electronics&sr=1-2&sres=B09CCKKYJB. Aug. 20, 2021. Asmvt Thermal Label Printer. (Year: 2021).*

Amazon. Link: https://www.amazon.com/AOBIO-Shipping-Packages-Business-Compatible/dp/B097PCJMP5/ref=sr_1_2?keywords=B097PCJMP5&qid=1637590692&qsid=133-7004299-7296243&s=electronics&sr=1-2&sres=B097PCJMP5. Jun. 22, 2021. AOBIO Shipping Label Printer, 4x6 Desktop Direct Thermal Label Printer. (Year: 2021).*

* cited by examiner

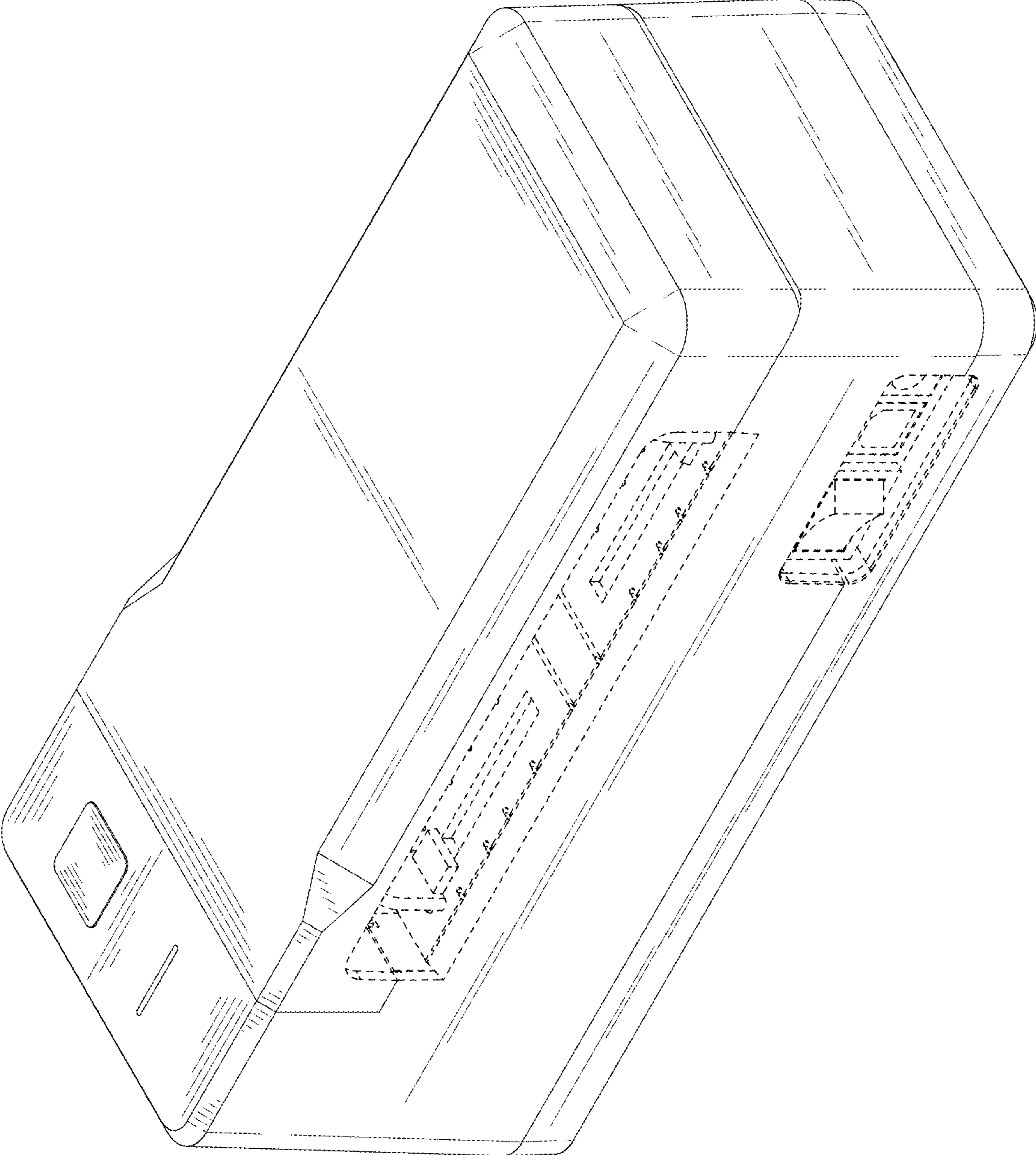


FIG. 1

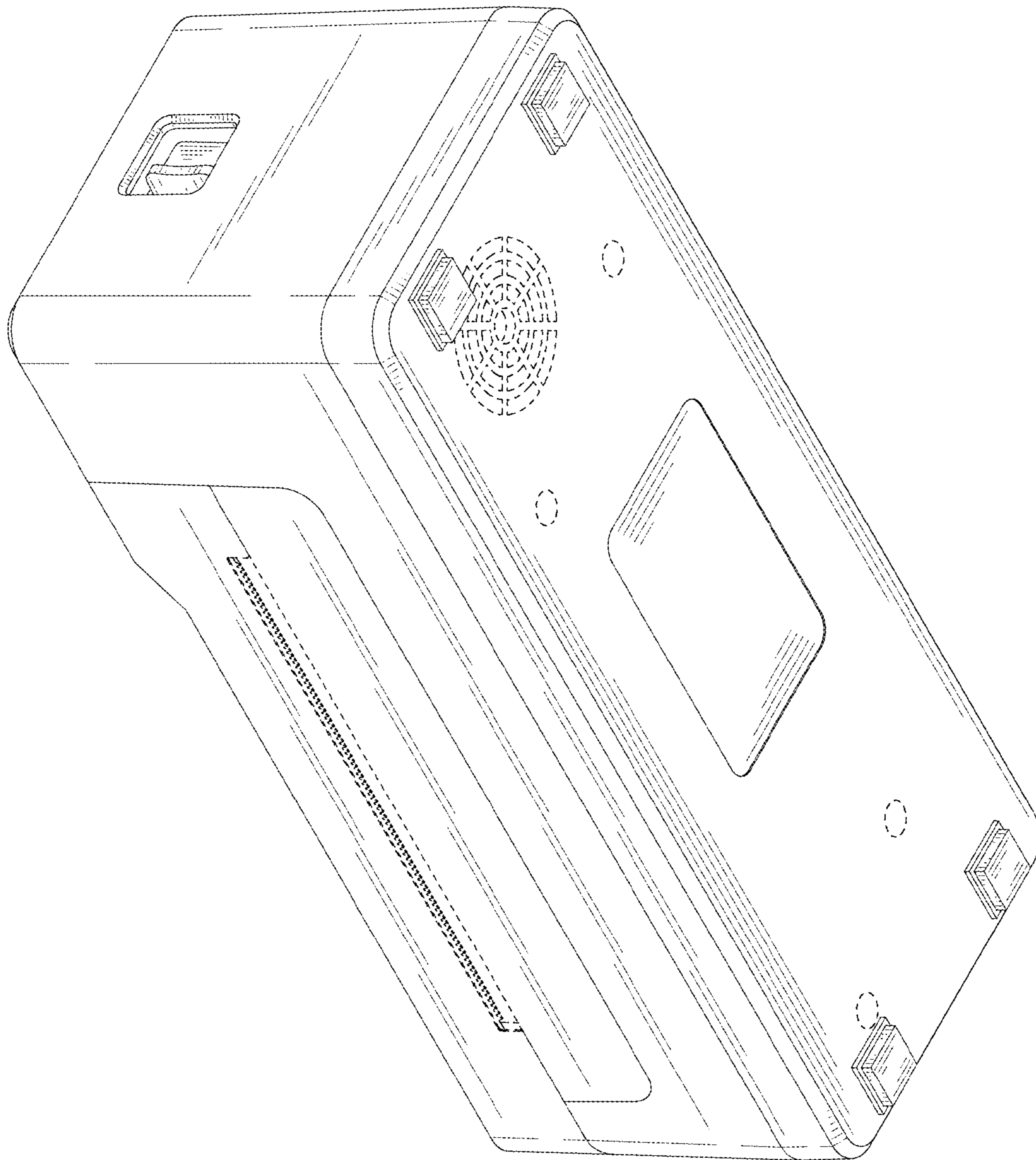


FIG. 2

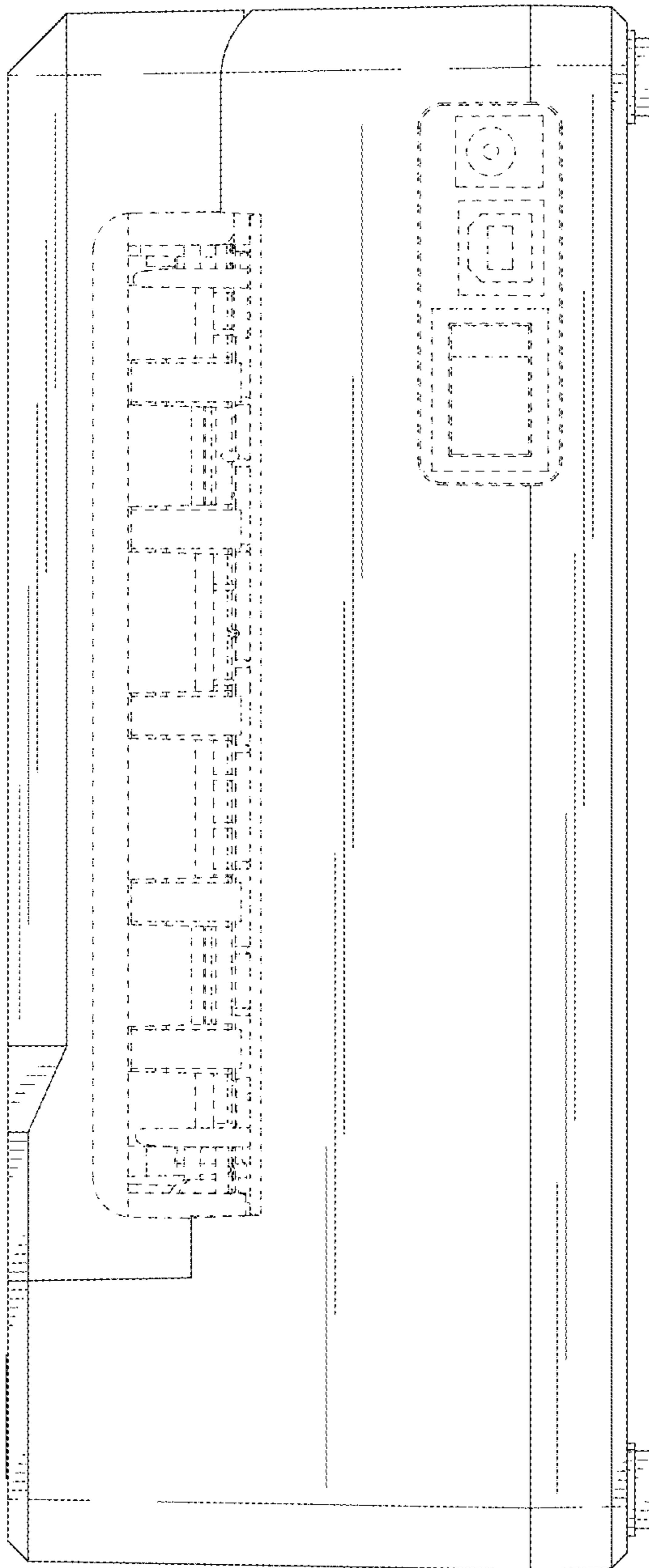


FIG. 3

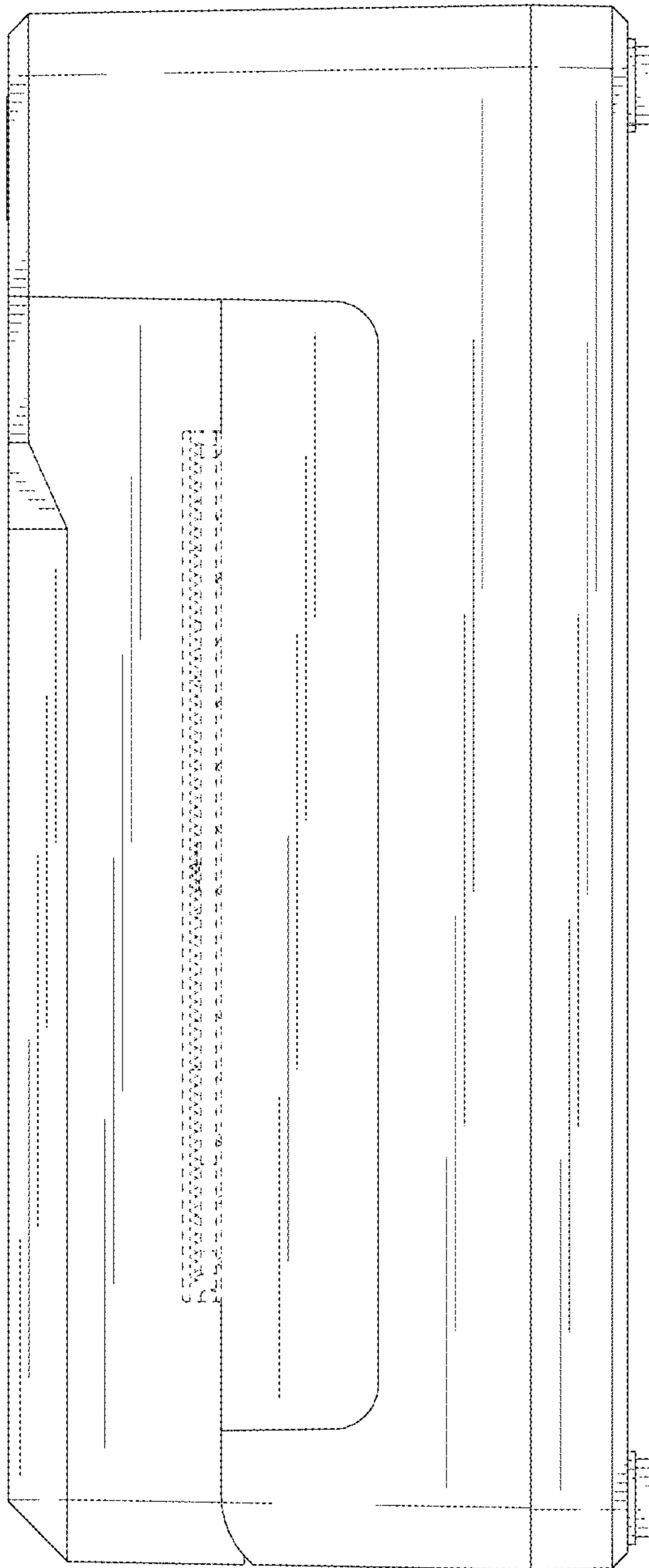


FIG. 4

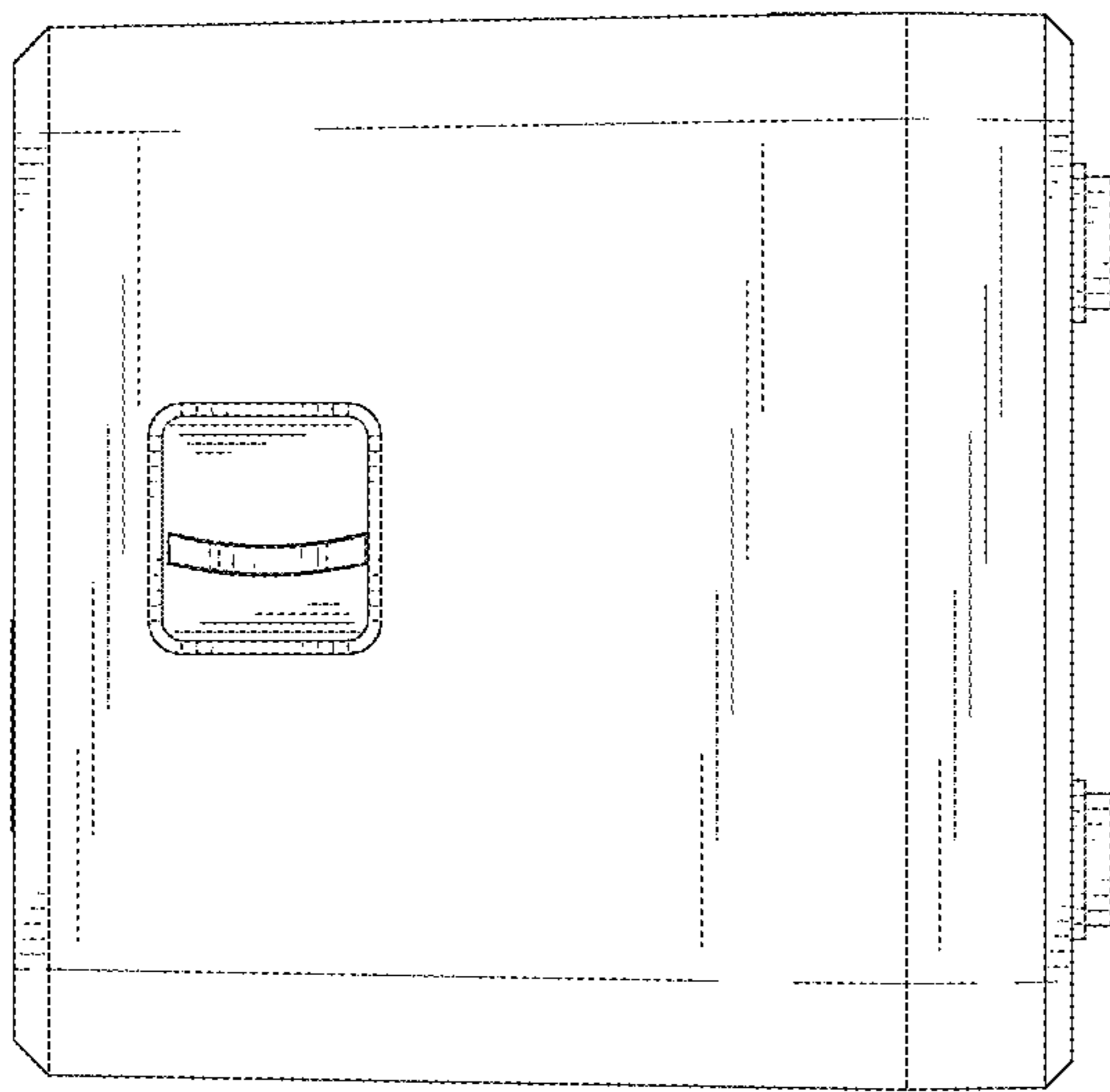


FIG. 5

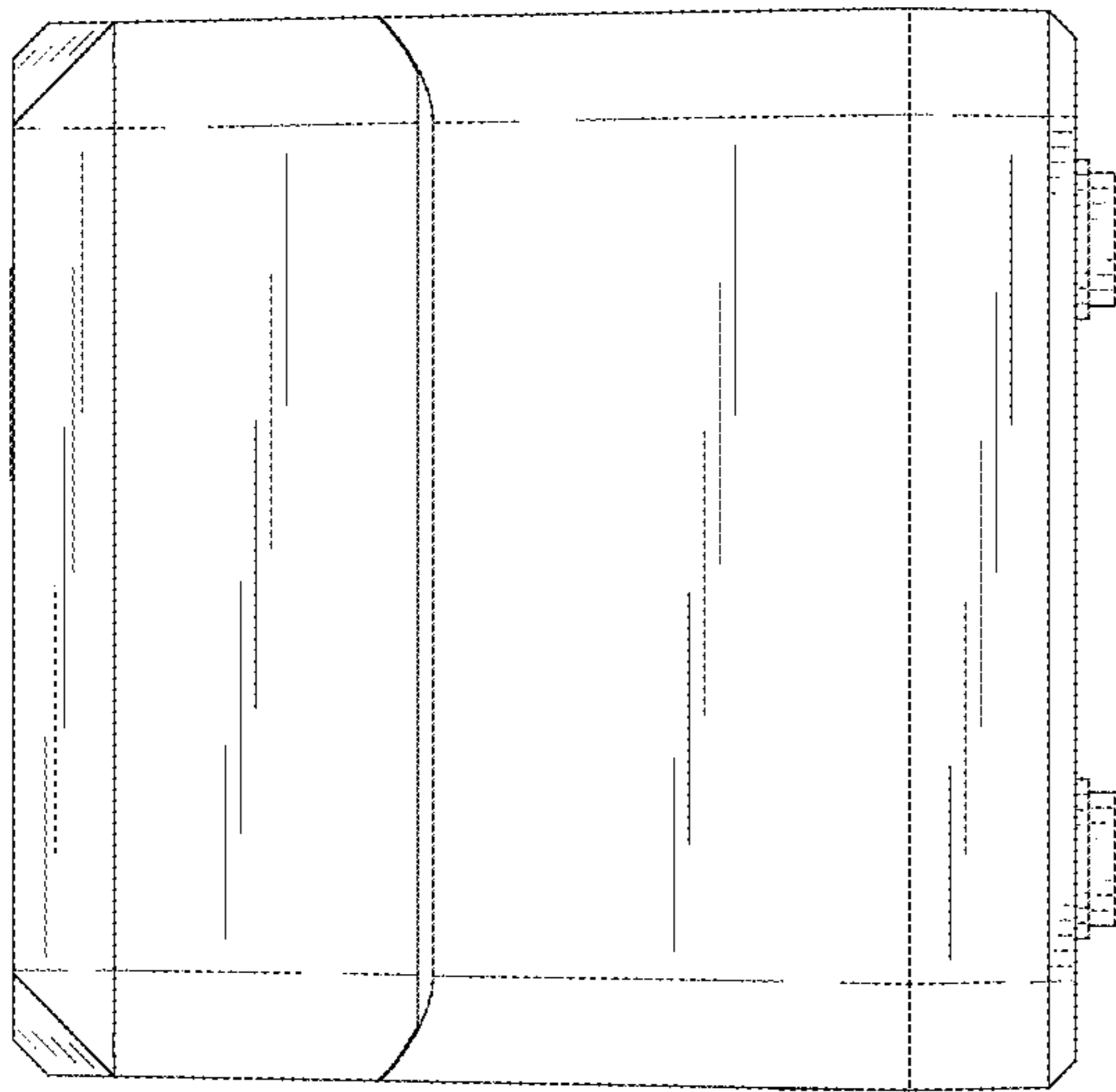


FIG. 6

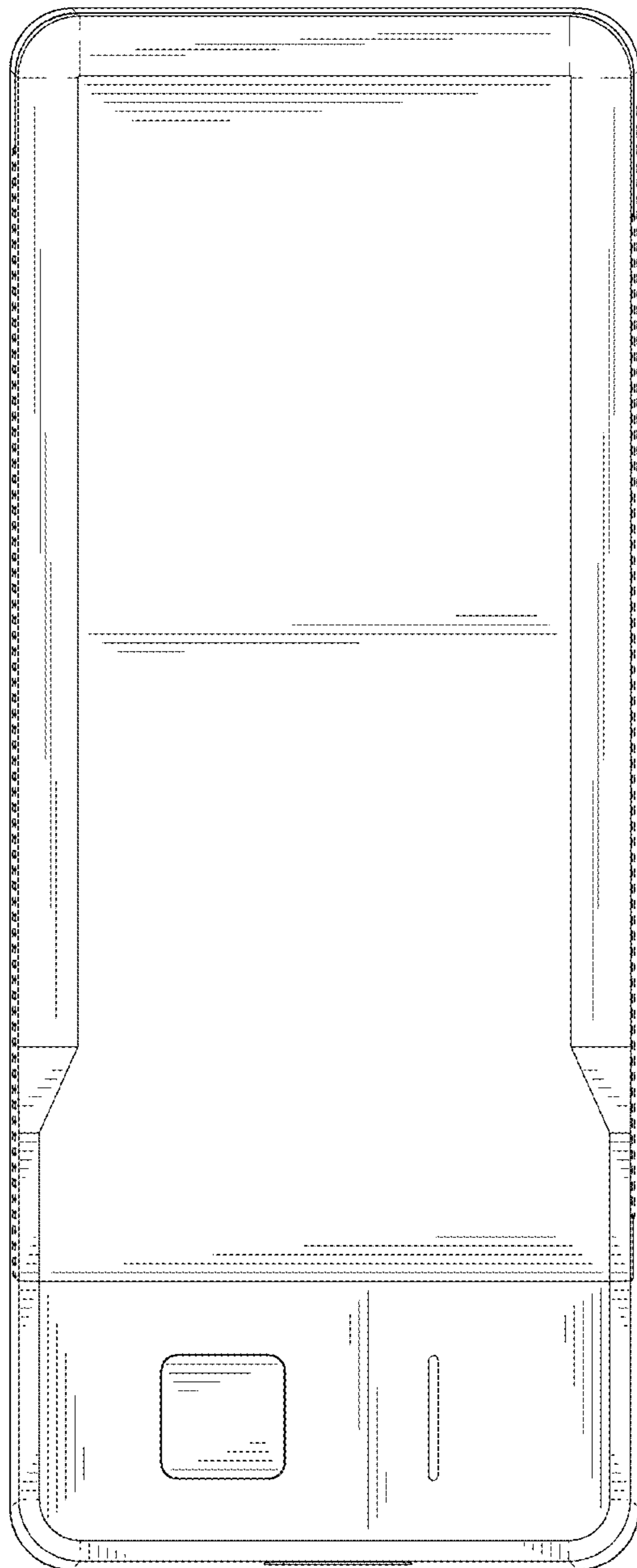


FIG. 7

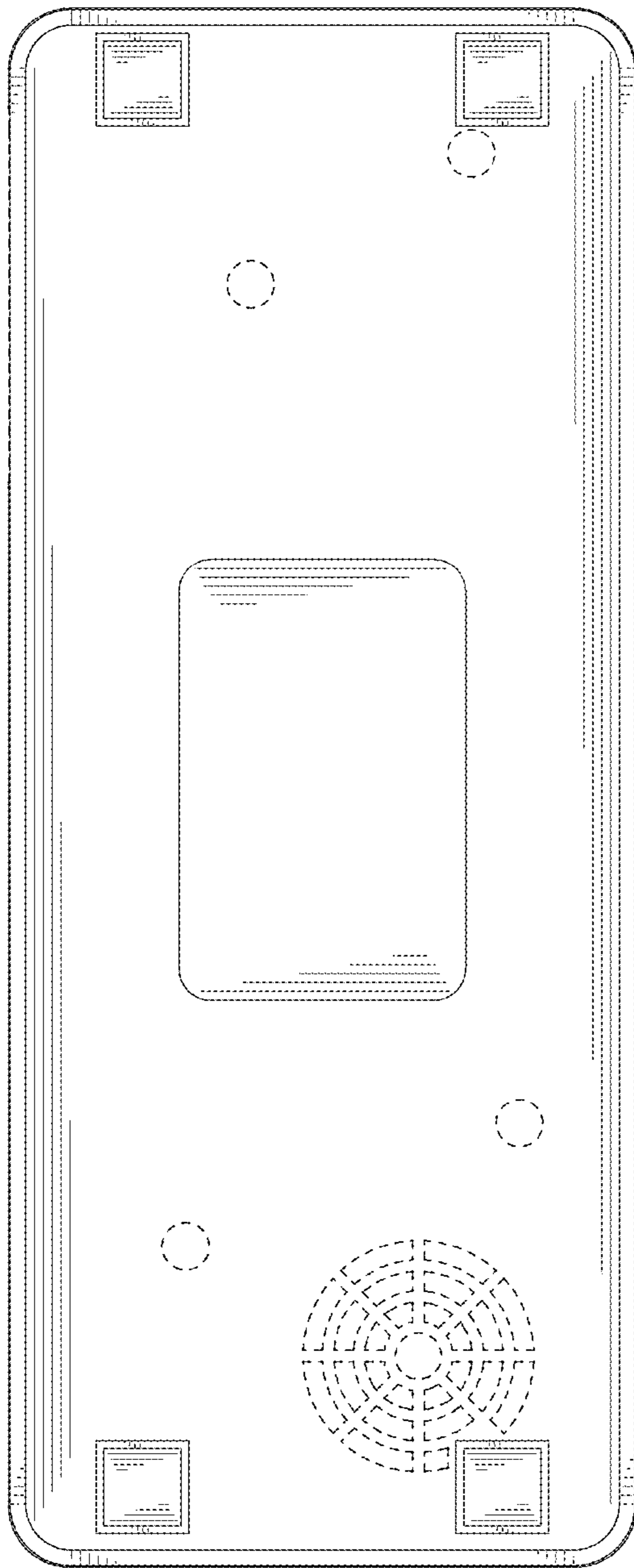


FIG. 8